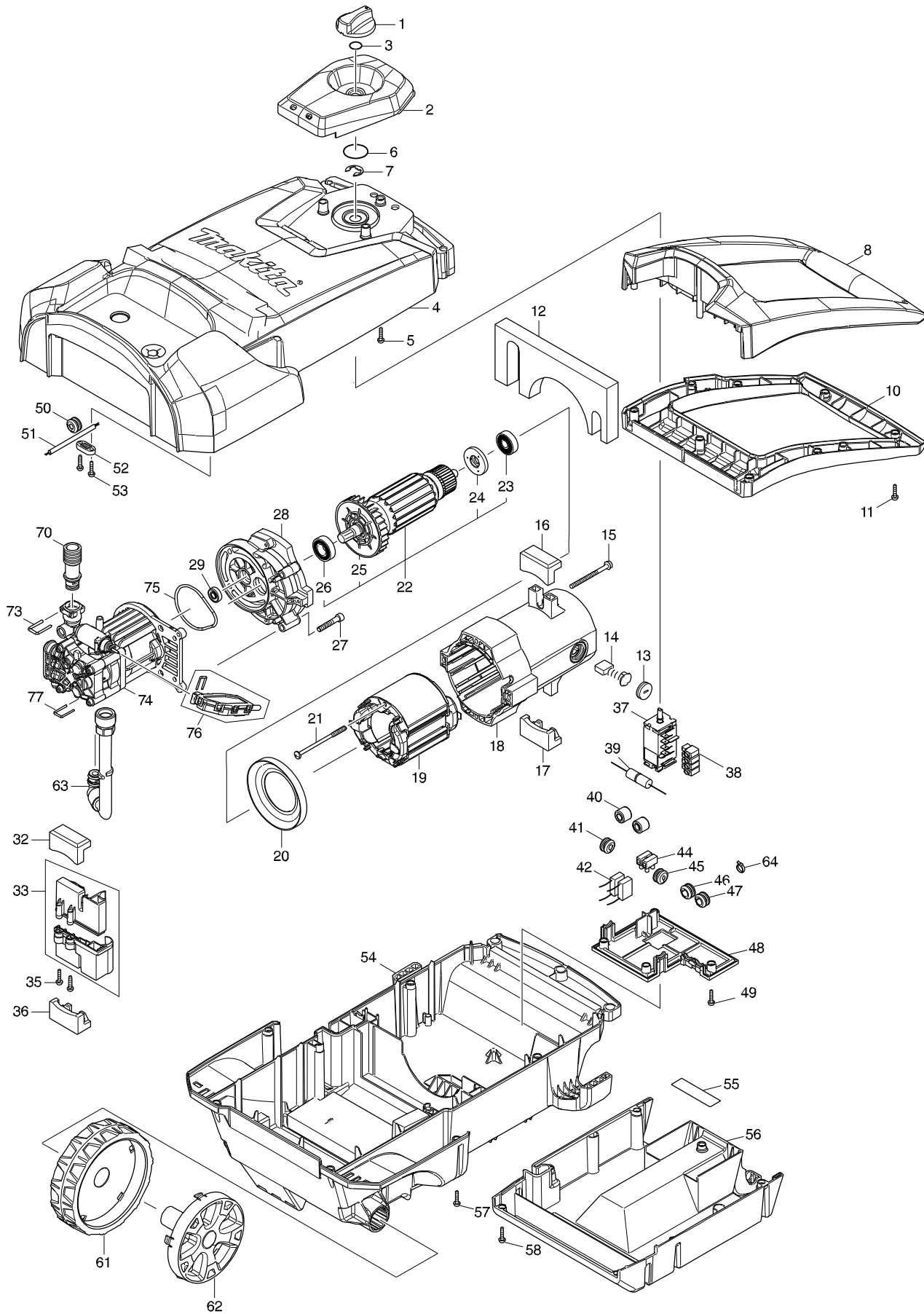


# Modelo HW1200 HIGH PRESSURE WASHER



# Modelo HW1200 HIGH PRESSURE WASHER

Pieza	Código	Descripción	Info	CTD.	N/O	Opc. 1	Opc. 2	OBS.
001	456837-7	SWITCH DIAL 50		1				
002	456953-5	FRONT COVER		1				
003	213176-6	EMPAQUE P/HM1214C		1				
004	143817-9	FRONT HOUSING COMPLETE		1				
005	266045-0	TORNILLO 4X20 P/4304, 5740NB		4				
006	213412-0	EMPAQUE "O" 29 P/5008NB		1				
007	961062-2	EMPAQUE DE RETEN E12 P/BO5000		1				
008	456841-6	FRONT HANDLE		1				
010	456843-2	REAR HANDLE		1				
011	266045-0	TORNILLO 4X20 P/4304, 5740NB		7				
012	424856-1	SCREEN SPONGE F		1				
013	643700-5	TAPA CARBON CB-200 P/HM1303B,MT		2				
014	194991-6	JUEGO DE CARBONES 2414 CB203		1				
015	911288-6	TORNILLO		4				
016	424852-9	RUBBER CUSHION		1				
017	424852-9	RUBBER CUSHION		1				
018	143813-7	MOTOR HOUSING COMPLETE		1				
C10	643712-8	CEPILLO DE DEPOSITO P/GA9010C		2				
019	639090-2	FIELD ASSY 115V		1				
C10	654197-3	TERMINAL DE RESORTE DE COBRE F		2				
C20	654502-4	CONECTOR P/9401,MT2240		2				
020	416131-9	DEFLECTOR P/9049		1				
021	265A13-6	TAPPING SCREW 5X85		2				
022	513472-5	ARMATURE ASSEMBLY 115V		1				
D10		INC. 23-26						
023	211067-5	BALERO P/1804N		1				
024	681630-2	RONDANA DE AISLAMIENTO P/9027L,		1				
025	241908-1	VENTILADOR P/9049		1				
026	211236-8	BALERO 6002DDW P/BO5001, 3606		1				
027	266586-6	H.S.H.BOLT M6X35		4				
028	143822-6	GEAR HOUSING COMPLETE		1				
C10	263005-3	PERNO DE GOMA P/VARIOS ONT)		1				
029	211166-3	BALL BEARING 698DDW		1				
032	424852-9	RUBBER CUSHION		1				
033	183D72-5	PUMP RETAINER SET		1				
035	266045-0	TORNILLO 4X20 P/4304, 5740NB		2				
036	424852-9	RUBBER CUSHION		1				
037	650780-4	SWITCH		1				
038	686035-1	RECEPTACLE SLEEVE		4				
039	632G73-3	CURRENT FUSE UNIT		1				
041	682100-4	GROMMET		1				
044	654531-7	CAJA DE DISTRIBUCION 2P P/6905B, I		1				
045	682098-5	GROMMET		1				
046	682100-4	GROMMET		1				
047	682100-4	GROMMET		1				
048	456833-5	SWITCH BOX COVER		1				
049	266045-0	TORNILLO 4X20 P/4304, 5740NB		4				
050	682100-4	GROMMET		1				

