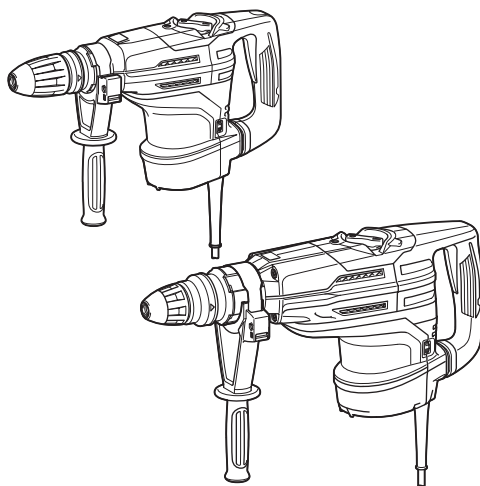


INSTRUCTION MANUAL
MANUEL D'INSTRUCTION
MANUAL DE INSTRUCCIONES



Rotary Hammer Marteau Perforateur Martillo Rotativo

HR4003C
HR4013C
HR5202C
HR5212C



DOUBLE INSULATION
DOUBLE ISOLATION
DOBLE AISLAMIENTO

IMPORTANT: Read Before Using.
IMPORTANT : Lire avant usage.
IMPORTANTE: Lea antes de usar.

SPECIFICATIONS

Model		HR4003C	HR4013C	HR5202C	HR5212C
Capacities	Carbide-tipped bit	40 mm (1-9/16")		52 mm (2-1/16")	
	Core bit	105 mm (4-1/8")		160 mm (6-5/16")	
No load speed (RPM)		250 - 500 /min		150 - 310 /min	
Blows per minute		1,450 - 2,900		1,100 - 2,250	
Overall length		479 mm (18-11/16")		599 mm (23-1/2")	
Net weight		6.2 kg (13.8 lbs)	6.8 kg (15.1 lbs)	10.9 kg (24.1 lbs)	11.9 kg (26.2 lbs)

- Due to our continuing program of research and development, the specifications herein are subject to change without notice.
- Specifications may differ from country to country.
- Weight according to EPTA-Procedure 01/2003

General Power Tool Safety Warnings

⚠ WARNING Read all safety warnings and all instructions. Failure to follow the warnings and instructions may result in electric shock, fire and/or serious injury.

Save all warnings and instructions for future reference.

The term "power tool" in the warnings refers to your mains-operated (corded) power tool or battery-operated (cordless) power tool.

Work area safety

1. **Keep work area clean and well lit.** Cluttered or dark areas invite accidents.
2. **Do not operate power tools in explosive atmospheres, such as in the presence of flammable liquids, gases or dust.** Power tools create sparks which may ignite the dust or fumes.
3. **Keep children and bystanders away while operating a power tool.** Distractions can cause you to lose control.

Electrical Safety

4. **Power tool plugs must match the outlet. Never modify the plug in any way. Do not use any adapter plugs with earthed (grounded) power tools.** Unmodified plugs and matching outlets will reduce risk of electric shock.
5. **Avoid body contact with earthed or grounded surfaces such as pipes, radiators, ranges and refrigerators.** There is an increased risk of electric shock if your body is earthed or grounded.
6. **Do not expose power tools to rain or wet conditions.** Water entering a power tool will increase the risk of electric shock.
7. **Do not abuse the cord. Never use the cord for carrying, pulling or unplugging the power tool. Keep cord away from heat, oil, sharp edges or moving parts.** Damaged or entangled cords increase the risk of electric shock.
8. **When operating a power tool outdoors, use an extension cord suitable for outdoor use.** Use of a cord suitable for outdoor use reduces the risk of electric shock.
9. **If operating a power tool in a damp location is unavoidable, use a ground fault circuit interrupter (GFCI) protected supply.** Use of an GFCI reduces the risk of electric shock.

Personal Safety

10. **Stay alert, watch what you are doing and use common sense when operating a power tool. Do not use a power tool while you are tired or under the influence of drugs, alcohol or medication.** A moment of inattention while operating power tools may result in serious personal injury.
11. **Use personal protective equipment. Always wear eye protection.** Protective equipment such as dust mask, non-skid safety shoes, hard hat, or hearing protection used for appropriate conditions will reduce personal injuries.
12. **Prevent unintentional starting. Ensure the switch is in the off-position before connecting to power source and/or battery pack, picking up or carrying the tool.** Carrying power tools with your finger on the switch or energising power tools that have the switch on invites accidents.
13. **Remove any adjusting key or wrench before turning the power tool on.** A wrench or a key left attached to a rotating part of the power tool may result in personal injury.
14. **Do not overreach. Keep proper footing and balance at all times.** This enables better control of the power tool in unexpected situations.
15. **Dress properly. Do not wear loose clothing or jewellery. Keep your hair, clothing, and gloves away from moving parts.** Loose clothes, jewellery or long hair can be caught in moving parts.
16. **If devices are provided for the connection of dust extraction and collection facilities, ensure these are connected and properly used.** Use of dust collection can reduce dust-related hazards.

Power tool use and care

17. **Do not force the power tool. Use the correct power tool for your application.** The correct power tool will do the job better and safer at the rate for which it was designed.
18. **Do not use the power tool if the switch does not turn it on and off.** Any power tool that cannot be controlled with the switch is dangerous and must be repaired.
19. **Disconnect the plug from the power source and/or the battery pack from the power tool before making any adjustments, changing accessories, or storing power tools.** Such preventive safety measures reduce the risk of starting the power tool accidentally.

20. Store idle power tools out of the reach of children and do not allow persons unfamiliar with the power tool or these instructions to operate the power tool. Power tools are dangerous in the hands of untrained users.
21. **Maintain power tools. Check for misalignment or binding of moving parts, breakage of parts and any other condition that may affect the power tool's operation. If damaged, have the power tool repaired before use.** Many accidents are caused by poorly maintained power tools.
22. **Keep cutting tools sharp and clean.** Properly maintained cutting tools with sharp cutting edges are less likely to bind and are easier to control.
23. **Use the power tool, accessories and tool bits etc. in accordance with these instructions, taking into account the working conditions and the work to be performed.** Use of the power tool for operations different from those intended could result in a hazardous situation.

Service

24. **Have your power tool serviced by a qualified repair person using only identical replacement parts.** This will ensure that the safety of the power tool is maintained.
25. **Follow instruction for lubricating and changing accessories.**
26. **Keep handles dry, clean and free from oil and grease.**

USE PROPER EXTENSION CORD. Make sure your extension cord is in good condition. When using an extension cord, be sure to use one heavy enough to carry the current your product will draw. An undersized cord will cause a drop in line voltage resulting in loss of power and overheating. Table 1 shows the correct size to use depending on cord length and nameplate ampere rating. If in doubt, use the next heavier gage. The smaller the gage number, the heavier the cord.

Table 1: Minimum gage for cord

Ampere Rating		Volts	Total length of cord in feet			
		120V	25 ft.	50 ft.	100 ft.	150 ft.
		220V - 240V	50 ft.	100 ft.	200 ft.	300 ft.
More Than	Not More Than	AWG				
0	6	/	18	16	16	14
6	10		18	16	14	12
10	12		16	16	14	12
12	16		14	12	Not Recommended	

ROTARY HAMMER SAFETY WARNINGS

1. **Wear ear protectors.** Exposure to noise can cause hearing loss.
2. **Use auxiliary handle(s), if supplied with the tool.** Loss of control can cause personal injury.
3. **Hold power tool by insulated gripping surfaces, when performing an operation where the cutting accessory may contact hidden wiring or its own cord.** Cutting accessory contacting a "live" wire may make exposed metal parts of the power tool "live" and could give the operator an electric shock.
4. **Wear a hard hat (safety helmet), safety glasses and/or face shield. Ordinary eye or sun glasses are NOT safety glasses.** It is also highly recommended that you wear a dust mask and thickly padded gloves.
5. **Be sure the bit is secured in place before operation.**
6. **Under normal operation, the tool is designed to produce vibration. The screws can come loose easily, causing a breakdown or accident. Check tightness of screws carefully before operation.**
7. **In cold weather or when the tool has not been used for a long time, let the tool warm up for a while by operating it under no load. This will loosen up the lubrication. Without proper warm-up, hammering operation is difficult.**




8. **Always be sure you have a firm footing. Be sure no one is below when using the tool in high locations.**
9. **Hold the tool firmly with both hands.**
10. **Keep hands away from moving parts.**
11. **Do not leave the tool running. Operate the tool only when hand-held.**
12. **Do not point the tool at any one in the area when operating. The bit could fly out and injure someone seriously.**
13. **Do not touch the bit or parts close to the bit immediately after operation; they may be extremely hot and could burn your skin.**
14. **Some material contains chemicals which may be toxic. Take caution to prevent dust inhalation and skin contact. Follow material supplier safety data.**

SAVE THESE INSTRUCTIONS.

⚠WARNING: DO NOT let comfort or familiarity with product (gained from repeated use) replace strict adherence to safety rules for the subject product. **MISUSE** or failure to follow the safety rules stated in this instruction manual may cause serious personal injury.

Symbols

The followings show the symbols used for tool.

V	volts
A	amperes
Hz	hertz
	alternating current
n _o	no load speed
	Class II Construction
... /min r /min	revolutions or reciprocation per minute
	number of blow

FUNCTIONAL DESCRIPTION

⚠ CAUTION:



- Always be sure that the tool is switched off and unplugged before adjusting or checking function on the tool.

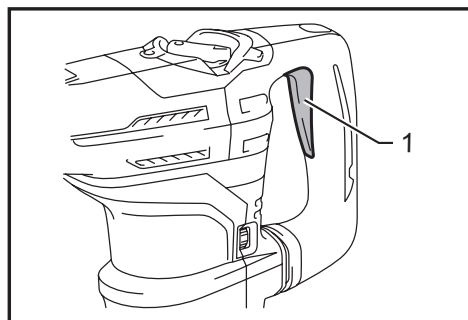
Switch action

⚠ CAUTION:

- Before plugging in the tool, always check to see that the switch trigger actuates properly and returns to the "OFF" position when released.

Switch trigger


This switch functions when setting the tool in  symbol and  symbol modes.

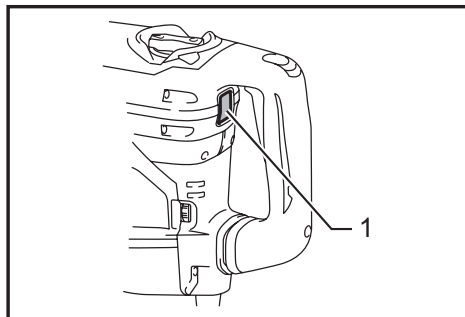


► 1. Switch trigger

To start the tool, simply pull the switch trigger. Release the switch trigger to stop.

Switch button

This switch functions when setting the tool in  symbol mode.



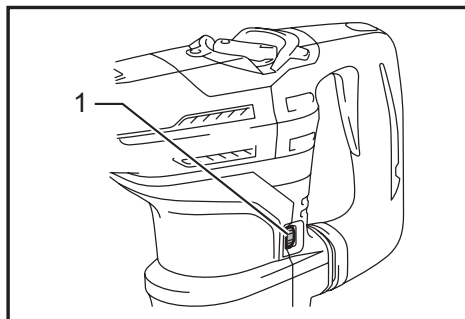
► 1. Switch button

When the tool is in the  symbol mode, the switch button projects out and lights in red.

To start the tool, press the switch button. The switch light turns in green.

To stop the tool, press the switch button again.

Speed change



► 1. Adjusting dial

The revolutions and blows per minute can be adjusted just by turning the adjusting dial. The dial is marked 1 (lowest speed) to 5 (full speed). Refer to the table below for the relationship between the number settings on the adjusting dial and the revolutions/blows per minute.

For Model HR4003C, HR4013C

Number on adjusting dial	Revolutions per minute	Blows per minute
5	500	2,900
4	470	2,700
3	380	2,150
2	290	1,650
1	250	1,450

For Model HR5202C, HR5212C

Number on adjusting dial	Revolutions per minute	Blows per minute
5	310	2,250
4	290	2,100
3	230	1,700
2	180	1,300
1	150	1,100

For model HR4013C, HR5212C only

NOTE:

- Blows at no load per minute becomes smaller than those on load in order to reduce vibration under no load, but this does not show trouble. Once operation starts with a bit against concrete, blows per minute increase and get to the numbers as shown in the table. When temperature is low and there is less fluidity in grease, the tool may not have this function even with the motor rotating.

CAUTION:

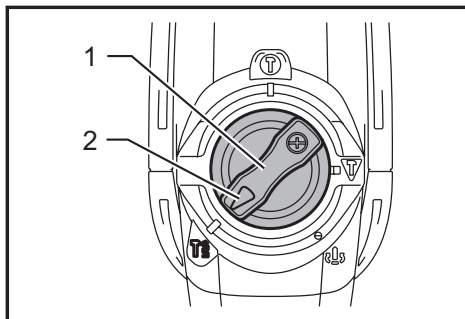
- If the tool is operated continuously at low speeds for a long time, the motor may get overloaded, resulting in tool malfunction.
- The speed adjusting dial can be turned only as far as 5 and back to 1. Do not force it past 5 or 1, or the speed adjusting function may no longer work.

Selecting the action mode

CAUTION:

- Do not rotate the change lever when the tool is running. The tool will be damaged.
- To avoid rapid wear on the mode change mechanism, be sure that the change lever is always positively located in one of the action mode positions.

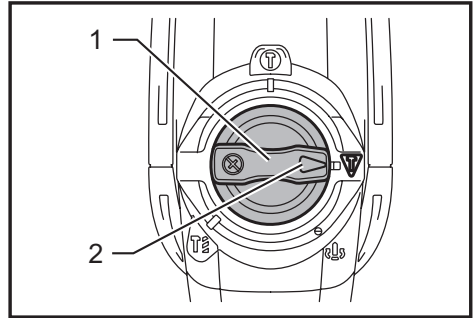
Hammer drilling mode



► 1. Change lever 2. Pointer

For drilling in concrete, masonry, etc., rotate the change lever to the **T** symbol. Use a tungsten-carbide tipped bit.

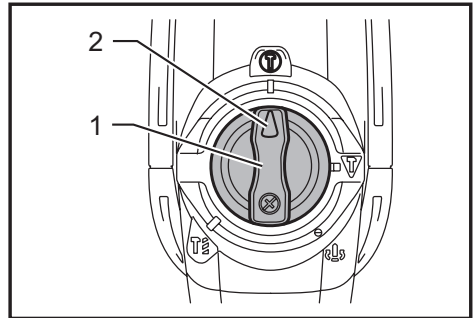
Hammering mode (Switch trigger mode)



► 1. Change lever 2. Pointer

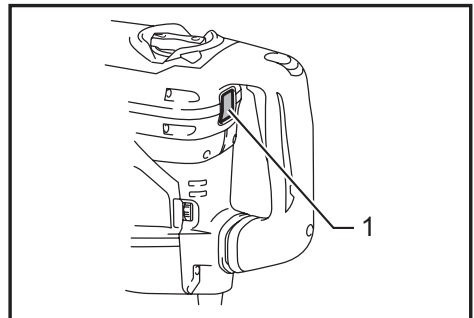
For chipping, scaling or demolition operations, rotate the change lever to the **V** symbol. Use a bull point, cold chisel, scaling chisel, etc.

Hammering mode (Switch button mode)



► 1. Change lever 2. Pointer

For continuous chipping, scaling or demolition operations, rotate the change lever to the **T** symbol.



► 1. Switch button

The switch button projects out and lights in red. Use a bull point, cold chisel, scaling chisel, etc.

NOTE:

- When using the tool in the **T** symbol mode, the switch trigger does not work but only the switch button works.

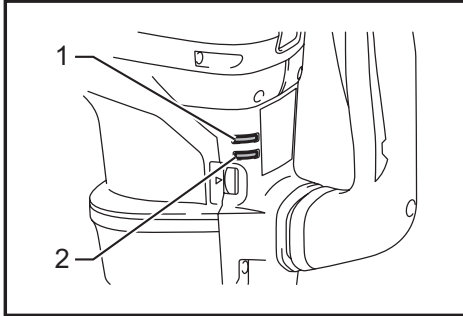
Torque limiter

The torque limiter actuates when torque reaches a certain level. The motor disengages from the output shaft. When this happens, the bit stops turning.

⚠ CAUTION:

- As soon as the torque limiter actuates, switch off the tool immediately. This helps to prevent premature wear of the tool.

Indicator lamp



- 1. Power-ON indicator lamp (green) 2. Service indicator lamp (red)

The green power-ON indicator lamp lights up when the tool is plugged in. If the indicator lamp does not light up, the mains cord or the controller may be defective.

When the indicator lamp lights up but the tool does not start even the tool is switched on, the carbon brushes may be worn out, or the controller, the motor or the ON/OFF switch may be defective.

If above symptoms occur, stop using the tool immediately and ask your local service center.

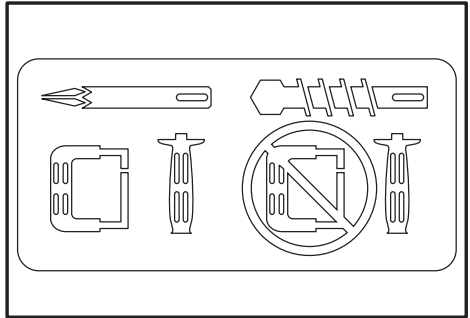
The red service indicator lamp lights up when the carbon brushes are nearly worn out to indicate that the tool needs servicing. After some period of use, the motor automatically shuts off.

ASSEMBLY

⚠ CAUTION:

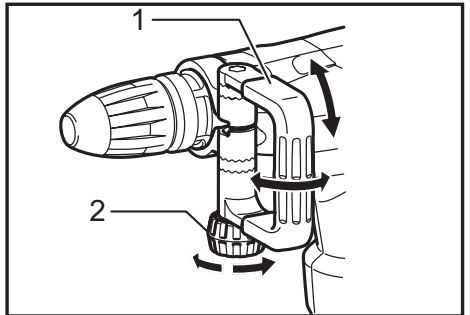
- Always be sure that the tool is switched off and unplugged before carrying out any work on the tool.

Side handle



⚠ CAUTION:

- Use the side handle only when chipping, scaling or demolishing. Do not use it when drilling in concrete, masonry, etc. The tool cannot be held properly with this side handle when drilling.



- 1. Side handle 2. Clamp nut

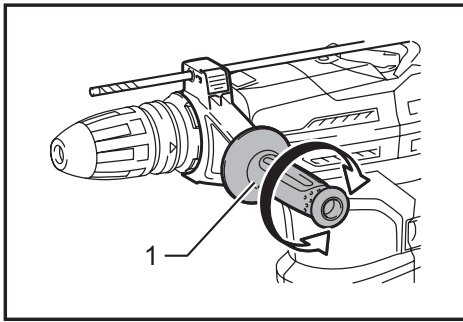
The side handle can be swung 360° on the vertical and secured at any desired position. It also secures at eight different positions back and forth on the horizontal.

Just loosen the clamp nut to swing the side handle to a desired position. Then tighten the clamp nut securely.

Side grip

⚠ CAUTION:

- Always use the side grip to ensure operating safety when drilling in concrete, masonry, etc.



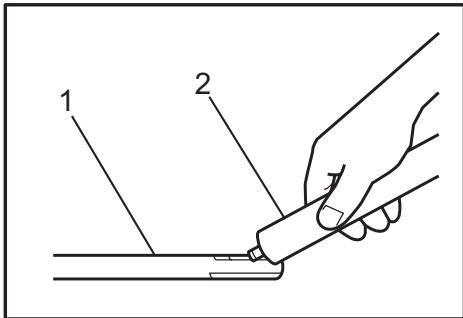
► 1. Side grip

The side grip swings around to either side, allowing easy handling of the tool in any position. Loosen the side grip by turning it counterclockwise, swing it to the desired position and then tighten it by turning clockwise.

Bit grease (optional accessory)

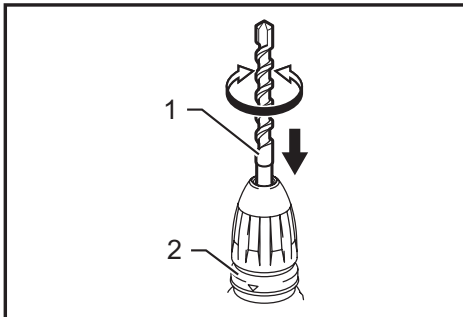
Coat the bit shank head beforehand with a small amount of bit grease (about 0.5 - 1 g; 0.02 - 0.04 oz.). This chuck lubrication assures smooth action and longer service life.

Installing or removing the bit



► 1. Bit shank 2. Bit grease

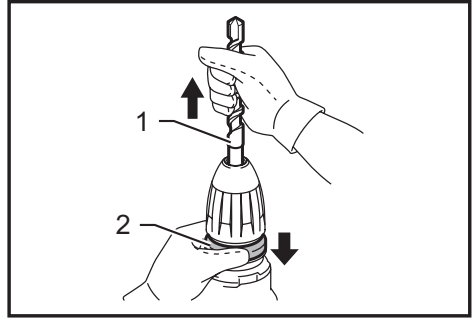
Clean the bit shank and apply bit grease before installing the bit.



► 1. Bit 2. Release cover

Insert the bit into the tool. Turn the bit and push it in until it engages.

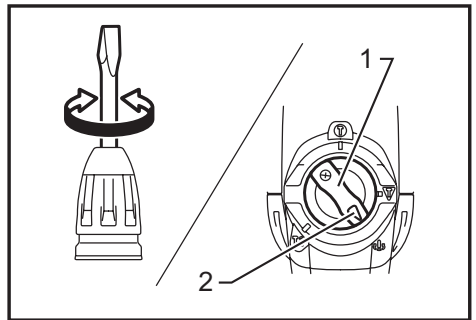
If the bit cannot be pushed in, remove the bit. Pull the release cover down a couple of times. Then insert the bit again. Turn the bit and push it in until it engages. After installing, always make sure that the bit is securely held in place by trying to pull it out.



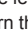
► 1. Bit 2. Release cover

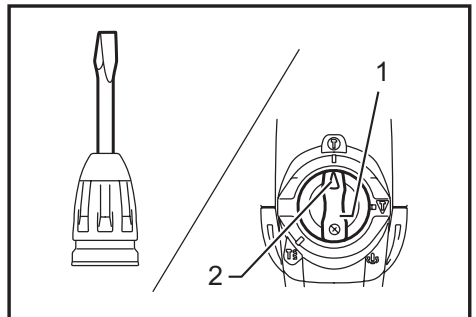
To remove the bit, pull the release cover down all the way and pull the bit out.

Bit angle (when chipping, scaling or demolishing)




► 1. Change lever 2. Pointer

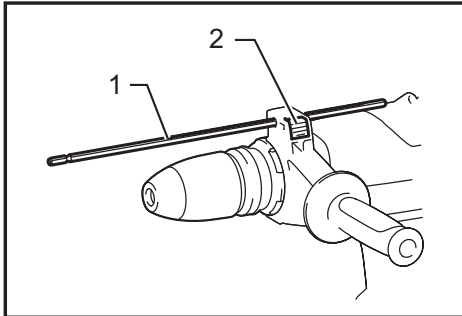
The bit can be secured at 24 different angles. To change the bit angle, rotate the change lever so that the pointer points to the  symbol. Turn the bit to the desired angle.



► 1. Change lever 2. Pointer

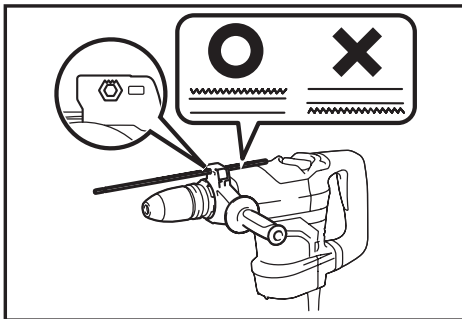
Rotate the change lever so that the pointer points to the  symbol. Then make sure that the bit is securely held in place by turning it slightly.

Depth gauge



► 1. Depth gauge 2. Lock button

The depth gauge is convenient for drilling holes of uniform depth. Press and hold the lock button, and insert the depth gauge into the hex hole.



Make sure the toothed side of the depth gauge faces the marking.

Adjust the depth gauge by moving it back and forth while pressing the lock button. After adjustment, release the lock button to lock the depth gauge.

NOTE:

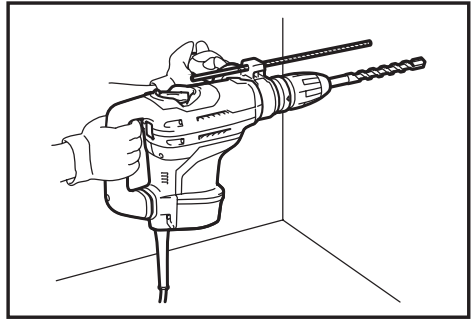
- The depth gauge cannot be used at the position where the depth gauge strikes against the gear housing/motor housing.


OPERATION

CAUTION:

- Make sure the work material is secured and not unstable. Flown object may cause personal injury.
- Do not pull the tool out forcibly even the bit gets stuck. Loss of control may cause injury.

Hammer drilling operation



Set the change lever to the  symbol. Position the bit at the desired location for the hole, then pull the switch trigger.

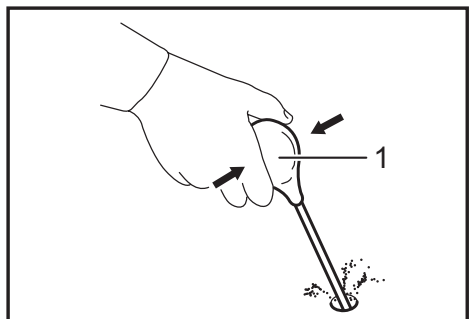
Do not force the tool. Light pressure gives best results. Keep the tool in position and prevent it from slipping away from the hole.

Do not apply more pressure when the hole becomes clogged with chips and particles. Instead, run the tool at an idle, then remove the bit partially from the hole. By repeating this several times, the hole will be cleaned out and you can continue drilling operation.

CAUTION:

- There is a tremendous and sudden twisting force exerted on the tool/bit at the time of hole break-through, when the hole becomes clogged with chips and particles, or when striking reinforcing rods embedded in the concrete. Always use the side grip (auxiliary handle) and firmly hold the tool by both side grip and switch handle during operations, and maintain good balance and safe footing. Failure to do so may result in the loss of control of the tool and potentially severe injury.

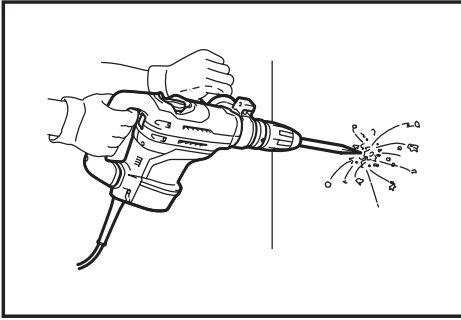
Blow-out bulb (optional accessory)





► 1. Blow-out bulb

After drilling the hole, use the blow-out bulb to clean the dust out of the hole.

Chipping/Scaling/Demolition



Set the change lever to the  or  symbol. Hold the tool firmly with both hands. Turn the tool on and apply slight pressure on the tool so that the tool does not bounce around, uncontrolled. Pressing very hard on the tool will not increase the efficiency.

MAINTENANCE

CAUTION:

- Always be sure that the tool is switched off and unplugged before attempting to perform inspection or maintenance.
- Never use gasoline, benzene, thinner, alcohol or the like. Discoloration, deformation or cracks may result.

Lubrication

CAUTION:

- This servicing should be performed by Makita Authorized or Factory Service Centers only.

This tool requires no hourly or daily lubrication because it has a grease-packed lubrication system. It should be relubricated regularly. Send the complete tool to Makita Authorized or Factory Service Center for this lubrication service. To maintain product SAFETY and RELIABILITY, repairs, any other maintenance or adjustment should be performed by Makita Authorized or Factory Service Centers, always using Makita replacement parts.

OPTIONAL ACCESSORIES

CAUTION:

- These accessories or attachments are recommended for use with your Makita tool specified in this manual. The use of any other accessories or attachments might present a risk of injury to persons. Only use accessory or attachment for its stated purpose.

If you need any assistance for more details regarding these accessories, ask your local Makita Service Center.

- SDS-Max Carbide-tipped bits
- SDS-Max bull point
- SDS-MAX cold chisel
- SDS-MAX scaling chisel
- SDS-MAX clay spade
- Hammer grease
- Bit grease
- Side handle
- Side grip
- Depth gauge
- Blow-out bulb
- Safety goggles
- Carrying case
- Dust extractor attachment

NOTE:

- Some items in the list may be included in the tool package as standard accessories. They may differ from country to country.

MAKITA LIMITED ONE YEAR WARRANTY

Warranty Policy

Every Makita tool is thoroughly inspected and tested before leaving the factory. It is warranted to be free of defects from workmanship and materials for the period of ONE YEAR from the date of original purchase. Should any trouble develop during this one year period, return the COMPLETE tool, freight prepaid, to one of Makita's Factory or Authorized Service Centers. If inspection shows the trouble is caused by defective workmanship or material, Makita will repair (or at our option, replace) without charge.

This Warranty does not apply where:

- repairs have been made or attempted by others:
- repairs are required because of normal wear and tear:
- the tool has been abused, misused or improperly maintained:
- alterations have been made to the tool.

IN NO EVENT SHALL MAKITA BE LIABLE FOR ANY INDIRECT, INCIDENTAL OR CONSEQUENTIAL DAMAGES FROM THE SALE OR USE OF THE PRODUCT. THIS DISCLAIMER APPLIES BOTH DURING AND AFTER THE TERM OF THIS WARRANTY.

MAKITA DISCLAIMS LIABILITY FOR ANY IMPLIED WARRANTIES, INCLUDING IMPLIED WARRANTIES OF "MERCHANTABILITY" AND "FITNESS FOR A SPECIFIC PURPOSE," AFTER THE ONE YEAR TERM OF THIS WARRANTY.

This Warranty gives you specific legal rights, and you may also have other rights which vary from state to state. Some states do not allow the exclusion or limitation of incidental or consequential damages, so the above limitation or exclusion may not apply to you. Some states do not allow limitation on how long an implied warranty lasts, so the above limitation may not apply to you.

SPÉCIFICATIONS

Modèle		HR4003C	HR4013C	HR5202C	HR5212C
Capacités	Foret au carbure	40 mm (1-9/16")		52 mm (2-1/16")	
	Trépan	105 mm (4-1/8")		160 mm (6-5/16")	
Vitesse à vide (RPM)		250 - 500 /min		150 - 310 /min	
Nombre de frappes par minute		1 450 - 2 900		1 100 - 2 250	
Longueur totale		479 mm (18-11/16")		599 mm (23-1/2")	
Poids net		6,2 kg (13,8 lbs)	6,8 kg (15,1 lbs)	10,9 kg (24,1 lbs)	11,9 kg (26,2 lbs)

- Étant donné l'évolution constante de notre programme de recherche et de développement, les spécifications contenues dans ce manuel sont sujettes à modification sans préavis.
- Les spécifications peuvent varier suivant les pays.
- Poids conforme à la procédure EPTA du 01/2003

Consignes de sécurité générales pour outils électriques

⚠ MISE EN GARDE Veuillez lire toutes les mises en garde de sécurité et toutes les instructions. L'ignorance des mises en garde et des instructions comporte un risque de choc électrique, d'incendie et/ou de blessure grave.

Conservez toutes les mises en garde et instructions pour référence future.

Le terme « outil électrique » qui figure dans les avertissements fait référence à un outil électrique branché sur une prise de courant (par un cordon d'alimentation) ou alimenté par batterie (sans fil).

Sécurité de la zone de travail

1. **Maintenez la zone de travail propre et bien éclairée.** Les zones de travail encombrées ou sombres ouvrent grande la porte aux accidents.
2. **N'utilisez pas les outils électriques dans les atmosphères explosives, par exemple en présence de liquides, gaz ou poussières inflammables.** Les outils électriques produisent des étincelles au contact desquelles la poussière ou les vapeurs peuvent s'enflammer.
3. **Assurez-vous qu'aucun enfant ou curieux ne s'approche pendant que vous utilisez un outil électrique.** Vous risquez de perdre la maîtrise de l'outil si votre attention est détournée.

Sécurité en matière d'électricité

4. **Les fiches d'outil électrique sont conçues pour s'adapter parfaitement aux prises de courant. Ne modifiez jamais la fiche de quelque façon que ce soit. N'utilisez aucun adaptateur de fiche sur les outils électriques avec mise à la terre.** En ne modifiant pas les fiches et en les insérant dans des prises de courant pour lesquelles elles ont été conçues vous réduirez les risques de choc électrique.
5. **Évitez tout contact corporel avec les surfaces mises à la terre, telles que les tuyaux, radiateurs, cuisinières et réfrigérateurs.** Le risque de choc électrique est plus élevé si votre corps se trouve mis à la terre.

6. **N'exposez pas les outils électriques à la pluie ou à l'eau.** La présence d'eau dans un outil électrique augmente le risque de choc électrique.
7. **Ne maltraitez pas le cordon. N'utilisez jamais le cordon pour transporter, tirer ou débrancher l'outil électrique. Maintenez le cordon à l'écart des sources de chaleur, de l'huile, des objets à bords tranchants et des pièces en mouvement.** Le risque de choc électrique est plus élevé lorsque les cordons sont endommagés ou enchevêtrés.
8. **Lorsque vous utilisez un outil électrique à l'extérieur, utilisez un cordon prolongateur prévu à cette fin.** Les risques de choc électrique sont moindres lorsqu'un cordon conçu pour l'extérieur est utilisé.
9. **Si vous devez utiliser un outil électrique dans un endroit humide, utilisez une source d'alimentation protégée par un disjoncteur de fuite à la terre.** L'utilisation d'un disjoncteur de fuite à la terre réduit le risque de choc électrique.

Sécurité personnelle

10. **Restez alerte, attentif à vos mouvements et faites preuve de bon sens lorsque vous utilisez un outil électrique. Évitez d'utiliser un outil électrique si vous êtes fatigué ou si vous avez pris une drogue, de l'alcool ou un médicament.** Un moment d'inattention pendant l'utilisation d'un outil électrique peut entraîner une grave blessure.
11. **Portez des dispositifs de protection personnelle. Portez toujours un protecteur pour la vue.** Les risques de blessure seront moins élevés si vous utilisez des dispositifs de protection tels qu'un masque antipoussières, des chaussures à semelle antidérapante, une coiffure résistante ou une protection d'oreilles.
12. **Évitez les démarrages accidentels. Assurez-vous que l'interrupteur soit en position d'arrêt avant de brancher l'outil à la prise électrique et/ou au bloc-piles, avant de prendre ou de transporter l'outil.** Vous ouvrez la porte aux accidents si vous transportez les outils électriques avec le doigt sur l'interrupteur ou si vous les branchez alors que l'interrupteur est en position de marche.

13. **Retirez toute clé de réglage ou de serrage avant de mettre l'outil sous tension.** Toute clé laissée en place sur une pièce rotative de l'outil électrique peut entraîner une blessure.
14. **Maintenez une bonne position. Assurez-vous d'une bonne prise au sol et d'une bonne position d'équilibre en tout temps.** Cela vous permettra d'avoir une meilleure maîtrise de l'outil dans les situations imprévues.
15. **Portez des vêtements adéquats. Ne portez ni vêtements amples ni bijoux. Vous devez maintenir cheveux, vêtements et gants à l'écart des pièces en mouvement.** Les pièces en mouvement peuvent happer les vêtements amples, les bijoux et les cheveux longs.
16. **Si des accessoires sont fournis pour raccorder un appareil d'aspiration et de collecte de la poussière, assurez-vous qu'ils sont correctement raccordés et qu'ils sont utilisés de manière adéquate.** L'utilisation d'un appareil d'aspiration permet de réduire les risques liés à la présence de poussière dans l'air.

Utilisation et entretien des outils électriques

17. **Ne forcez pas l'outil électrique. Utilisez l'outil électrique adéquat suivant le type de travail à effectuer.** Si vous utilisez l'outil électrique adéquat et respectez le régime pour lequel il a été conçu, il effectuera un travail de meilleure qualité et de façon plus sécuritaire.
18. **N'utilisez pas l'outil électrique s'il n'est pas possible de mettre sa gâchette en position de marche et d'arrêt.** Un outil électrique dont l'interrupteur est défectueux représente un danger et doit être réparé.
19. **Débranchez la fiche de la source d'alimentation et/ou retirez le bloc-piles de l'outil électrique avant d'effectuer tout réglage, de changer un accessoire ou de ranger l'outil électrique.** De telles mesures préventives réduisent les risques de démarrage accidentel de l'outil électrique.
20. **Après l'utilisation d'un outil électrique, rangez-le hors de portée des enfants et ne laissez aucune personne l'utiliser si elle n'est pas familiarisée avec l'outil électrique ou les présentes instructions d'utilisation.** Les outils électriques représentent un danger entre les mains de personnes qui n'en connaissent pas le mode d'utilisation.

21. **Veillez à l'entretien des outils électriques. Assurez-vous que les pièces mobiles ne sont pas désalignées ou coincées, qu'aucune pièce n'est cassée et que l'outil électrique n'a subi aucun dommage affectant son bon fonctionnement.** Le cas échéant, faites réparer l'outil électrique avant de l'utiliser. De nombreux accidents sont causés par des outils électriques mal entretenus.
22. **Maintenez les outils tranchants bien aiguisés et propres.** Un outil tranchant dont l'entretien est effectué correctement et dont les bords sont bien aiguisés risquera moins de se coincer et sera plus facile à maîtriser.
23. **Utilisez l'outil électrique, ses accessoires, ses embouts, etc., en respectant les présentes instructions, en tenant compte des conditions de travail et du type de travail à effectuer.** L'utilisation d'un outil électrique à des fins autres que celles prévues peut entraîner une situation dangereuse.

Réparation

24. **Faites réparer votre outil électrique par un réparateur qualifié qui utilise des pièces de rechange identiques aux pièces d'origine.** Le maintien de la sûreté de l'outil électrique sera ainsi assuré.
25. **Suivez les instructions de lubrification et de changement des accessoires.**
26. **Maintenez les poignées de l'outil sèches, propres et exemptes d'huile ou de graisse.**
UTILISEZ UN CORDON PROLONGATEUR APPROPRIÉ. Assurez-vous que votre cordon prolongateur est en bonne condition. Lorsque vous utilisez un cordon prolongateur, assurez-vous qu'il est assez robuste pour transporter le courant exigé par le produit. Un cordon qui est trop petit entraînera une baisse dans la tension composée, ce qui causera une perte d'énergie et un surchauffage. Le tableau 1 indique la dimension de cordon à utiliser, en fonction de la longueur du cordon et de l'intensité nominale figurant sur la plaque signalétique. En cas de doute, utilisez un cordon plus robuste. Plus le numéro de calibre est bas, plus le cordon est robuste.

Tableau 1. Gabarit minimum du cordon

Intensité nominale		Volts	Longueur totale du cordon en pieds			
		120V	25 pi	50 pi	100 pi	150 pi
		220V - 240V	50 pi	100 pi	200 pi	300 pi
Plus de	Pas plus de	Calibre américain des fils				
0	6	/	18	16	16	14
6	10		18	16	14	12
10	12		16	16	14	12
12	16		14	12	Non recommandé	




CONSIGNES DE SÉCURITÉ POUR MARTEAU ROTATIF

1. **Portez des protections d'oreilles.** L'exposition au bruit peut entraîner des lésions de l'ouïe.
2. **Utilisez la ou les poignées auxiliaires si elles sont fournies avec l'outil.** Toute perte de maîtrise comporte un risque de blessure.
3. **Tenez l'outil électrique par ses surfaces de prise isolées pendant toute opération où l'accessoire de coupe pourrait venir en contact avec un câblage dissimulé ou avec son propre cordon.** En cas de contact de l'accessoire de coupe avec un conducteur sous tension, les pièces métalliques à découvert de l'outil électrique risqueraient de transmettre une décharge à l'utilisateur.
4. **Portez un casque rigide (casque de sécurité) ainsi que des lunettes de sécurité et/ou un écran facial. Les lunettes ordinaires et les lunettes de soleil ne constituent PAS des lunettes de sécurité. Le port d'un masque à poussière et de gants épais est également fortement recommandé.**
5. **Assurez-vous que le foret est bien serré avant d'utiliser l'outil.**
6. **Même dans des conditions d'utilisation ordinaires, l'outil produit des vibrations. Les vis peuvent ainsi se relâcher facilement et risquent d'entraîner une rupture de pièce ou de causer un accident. Avant l'utilisation, vérifiez avec précaution que les vis sont bien serrées.**
7. **Par temps froid ou lorsque l'outil est resté inutilisé pendant une longue période, faites-le réchauffer pendant quelques minutes en le faisant fonctionner à vide. Cela réchauffera le lubrifiant. Sans un réchauffement adéquat, le martelage s'effectue difficilement.**
8. **Adoptez toujours une position de travail vous assurant d'un bon équilibre. Assurez-vous qu'il n'y a personne plus bas lorsque vous utilisez l'outil en position élevée.**
9. **Tenez l'outil fermement à deux mains.**
10. **Gardez vos mains éloignées des pièces mobiles.**
11. **N'abandonnez pas l'outil alors qu'il tourne. Ne faites fonctionner l'outil qu'une fois que vous l'avez bien en main.**
12. **Pendant l'utilisation de l'outil, ne le pointez vers personne dans la zone de travail. Vous risqueriez de blesser gravement quelqu'un en cas d'éjection du foret.**
13. **Ne touchez pas le foret ou les parties situées près du foret immédiatement après l'utilisation ; ils peuvent être extrêmement chauds et brûler votre peau.**
14. **Certains matériaux contiennent des produits chimiques qui peuvent être toxiques. Prenez les précautions nécessaires pour éviter l'inhalation de ces poussières ou leur contact avec la peau. Conformez-vous aux consignes de sécurité du fournisseur du matériau.**

⚠ MISE EN GARDE : NE VOUS LAISSEZ PAS tromper (au fil d'une utilisation répétée) par un sentiment d'aisance ou de familiarité avec le produit en négligeant les consignes de sécurité qui accompagnent le produit. L'utilisation non sécuritaire ou incorrecte de cet outil comporte un risque de blessure grave.

Symboles

Les symboles utilisés pour l'outil sont indiqués ci-dessous.

V	volts
A	ampères
Hz	hertz
	courant alternatif
n_0	vitesse à vide
	construction, catégorie II
... /min r /min	tours ou alternances par minute
	nombre de frappes

CONSERVEZ CE MODE D'EMPLOI.

DESCRIPTION DU FONCTIONNEMENT

⚠ ATTENTION :



- Assurez-vous toujours que l'outil est hors tension et débranché avant de l'ajuster ou de vérifier son fonctionnement.

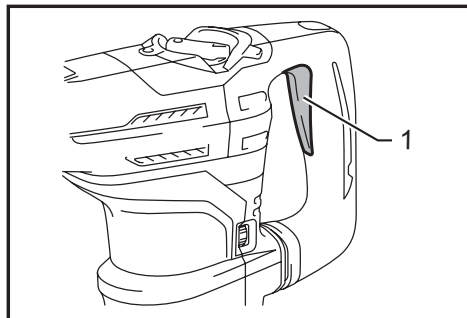
Interrupteur

⚠ ATTENTION :

- Avant de brancher l'outil, assurez-vous toujours que la gâchette fonctionne correctement et revient en position d'arrêt une fois relâchée.

Gâchette


Cet interrupteur fonctionne lorsque l'outil est réglé sur le symbole de mode  et le symbole de mode .

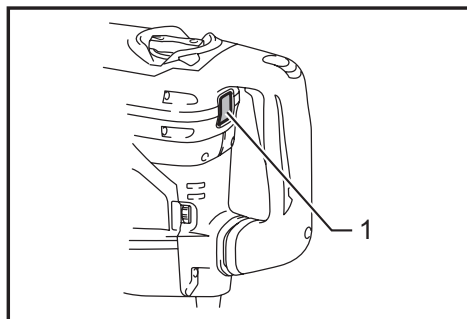


► 1. Gâchette


Pour faire démarrer l'outil, appuyez simplement sur la gâchette. Pour l'arrêter, relâchez la gâchette.

Bouton de mise en marche

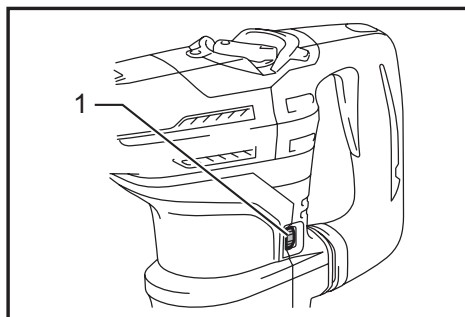
Cet interrupteur fonctionne lorsque l'outil est réglé sur le symbole de mode .



► 1. Bouton de commutateur

Lorsque l'outil est réglé sur le symbole de mode , le bouton de mise en marche est saillant et s'allume en rouge. Pour faire démarrer l'outil, appuyez sur le bouton de mise en marche. Le témoin de l'interrupteur passe au vert. Pour arrêter l'outil, appuyez à nouveau sur le bouton de mise en marche.

Changement de vitesse



► 1. Cadran de réglage

Il est possible de régler le nombre de rotations et de frappes par minute simplement en tournant le cadran de réglage. Le cadran est gradué de 1 (vitesse la plus lente) à 5 (vitesse la plus rapide).

Pour connaître le rapport entre les graduations du cadran et le nombre de rotations/frappes par minute, consultez le tableau ci-dessous.

Pour les modèles HR4003C, HR4013C

Numéro sur le cadran de réglage	Révolutions par minute	Nombre de frappes par minute
5	500	2 900
4	470	2 700
3	380	2 150
2	290	1 650
1	250	1 450

Pour les modèles HR5202C, HR5212C

Numéro sur le cadran de réglage	Révolutions par minute	Nombre de frappes par minute
5	310	2 250
4	290	2 100
3	230	1 700
2	180	1 300
1	150	1 100

Pour les modèles HR4013C et HR5212C uniquement

NOTE :

- Lorsque l'outil tourne à vide, le nombre de frappes par minute diminue pour réduire les vibrations ; il ne s'agit pas d'un dysfonctionnement. Le nombre de frappes par minute augmente au contact du foret contre le béton, pour atteindre les fréquences de frappe indiquées dans le tableau. Lorsque la fluidité de la graisse diminue en raison de la basse température, il se peut que cette fonction soit inopérante même si le moteur tourne.

ATTENTION :

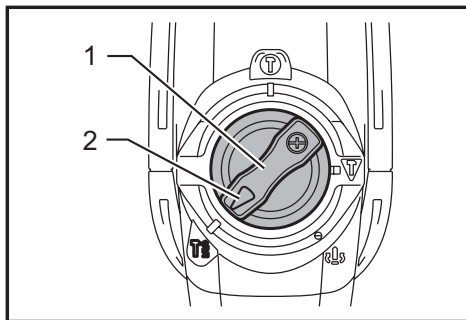
- Si l'outil est utilisé de façon continue à faible vitesse pendant une période prolongée, le moteur pourrait devenir surchargé, ce qui pourrait entraîner une défaillance de l'outil.
- Le cadran de réglage de la vitesse ne peut pas dépasser le 5 et le 1. Ne le forcez pas à dépasser le 5 ou le 1, sinon la fonction de réglage de la vitesse risque de ne plus fonctionner.

Sélection du mode de fonctionnement

ATTENTION :

- Ne tournez pas le levier de changement pendant que l'outil fonctionne. Vous endommageriez l'outil.
- Pour éviter l'usure rapide du mécanisme de changement de mode, assurez-vous toujours que le levier de changement se trouve exactement sur l'une des positions de mode.

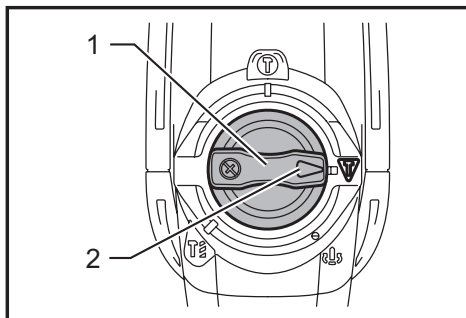
Mode de perçage avec martelage



► 1. Levier de changement 2. Index

Pour le perçage du béton, de la maçonnerie, etc., tournez le levier de changement jusqu'au symbole **T**. Utilisez un foret à pointe en carbure de tungstène.

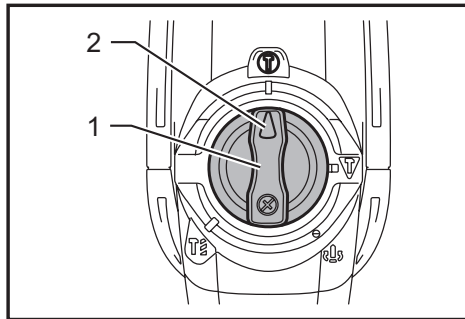
Mode martelage (mode gâchette)



► 1. Levier de changement 2. Index

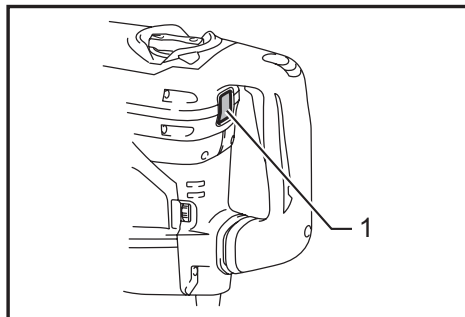
Pour le burinage, l'écaillage ou des travaux de démolition, tournez le levier de changement jusqu'au symbole **T**. Utilisez une pointe à béton, un ciseau à froid, un ciseau à écailler, etc.

Mode martelage (mode bouton de mise en marche)



► 1. Levier de changement 2. Index

Pour le burinage, l'écaillage ou des travaux de démolition continus, tournez le levier de changement jusqu'au symbole **T**.



► 1. Bouton de commutateur

Le bouton de mise en marche est saillant et s'allume en rouge.

Utilisez une pointe à béton, un ciseau à froid, un ciseau à écailler, etc.

NOTE :

- Lorsque l'outil est réglé sur le symbole de mode **T**, la gâchette ne fonctionne pas et seul le bouton de mise en marche fonctionne.

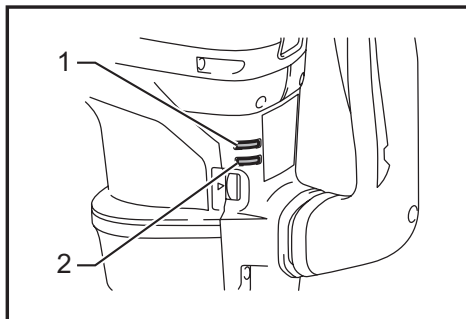
Limiteur de couple

Le limiteur de couple entre en fonction lorsque le couple atteint une certaine valeur. Le moteur se dégage de l'arbre de sortie. Lorsque cela se produit, le foret cesse de tourner.

ATTENTION :

- Dès que le limiteur de couple entre en fonction, éteignez immédiatement l'outil. Cela permet d'empêcher l'usure prématurée de l'outil.

Voyant



- 1. Voyant de mise sous tension (vert) 2. Voyant de service (rouge)

Le témoin d'alimentation vert s'allume lorsque l'outil est branché. Si le témoin ne s'allume pas, le cordon d'alimentation ou le contrôleur sont peut-être défectueux.

Si le témoin est allumé mais que l'outil ne démarre pas même sous la commande de l'interrupteur, il se peut que les charbons soient usés ou que le contrôleur, le moteur ou l'interrupteur de marche-arrêt soit défectueux.

Si les problèmes précédents se présentent, cessez immédiatement d'utiliser l'outil et contactez le centre de service après-vente le plus près.

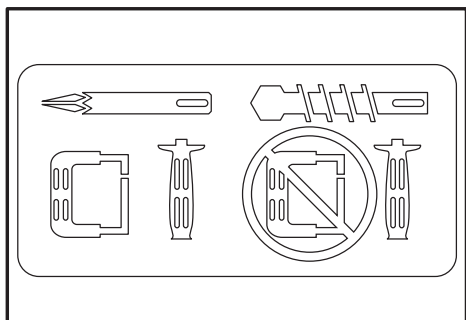
Le témoin d'entretien rouge s'allume lorsque les charbons sont presque complètement usés, pour indiquer que l'outil a besoin d'entretien. S'il est utilisé pendant un certain temps, le moteur s'arrête automatiquement.

ASSEMBLAGE

⚠ ATTENTION :

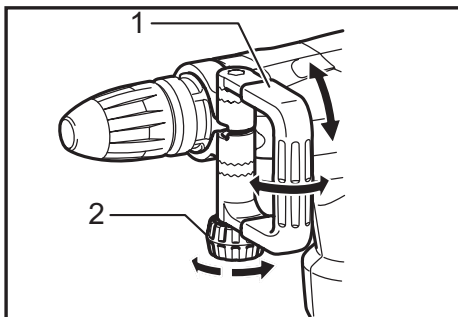
- Avant d'effectuer toute intervention sur l'outil, assurez-vous toujours qu'il est hors tension et débranché.

Poignée étrier latérale



⚠ ATTENTION :

- N'utilisez la poignée étrier latérale que pour un burinage, un écaillage ou des travaux de démolition. Ne l'utilisez pas pour des travaux de perçage dans le béton, ou la maçonnerie, etc. Vous n'aurez pas l'outil bien en main si vous utilisez cette poignée étrier latérale pour percer.



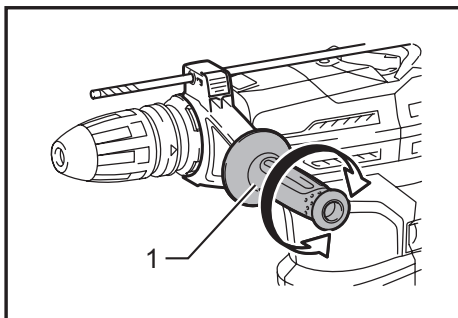
- 1. Poignée étrier latérale 2. Écrou de serrage

La poignée étrier latérale peut tourner de 360° à la verticale et se fixer sur n'importe quelle position. Elle se fixe également sur huit positions différentes en avant et en arrière à l'horizontale. Il vous suffit de desserrer l'écrou de serrage pour déplacer la poignée étrier latérale sur la position voulue. Puis, resserrez l'écrou de serrage à fond.

Poignée latérale

⚠ ATTENTION :

- Pour des raisons de sécurité, le perçage dans le béton, ou la maçonnerie etc. doit toujours être pratiqué avec cette poignée latérale.



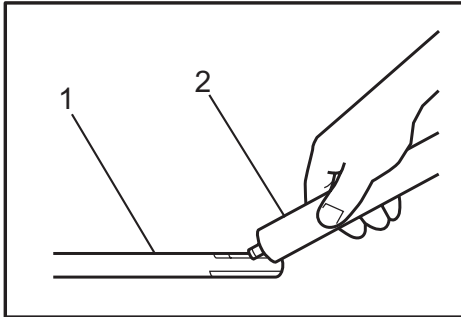
- 1. Poignée latérale

La poignée latérale peut pivoter jusque de l'autre côté, permettant ainsi de manipuler l'outil avec aisance dans n'importe quelle position. Desserrez la poignée latérale en la faisant tourner dans le sens inverse des aiguilles d'une montre, faites-la pivoter jusqu'à la position désirée puis resserrez-la en tournant dans le sens des aiguilles d'une montre.

Graisse rose (accessoire en option)

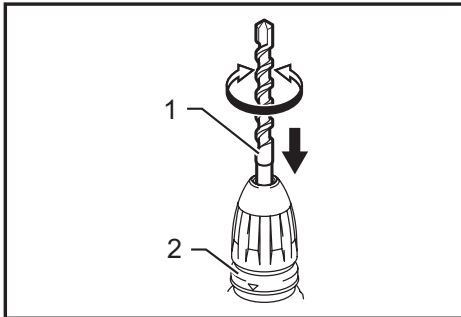
Avant de procéder, enduisez la queue du foret d'une légère couche de graisse (environ 0,5 - 1 g; 0,02 - 0,04 oz.). Cette lubrification du porte-outil assurera un fonctionnement en douceur et une longue durée de service.

Installation et retrait du foret



► 1. Queue du foret 2. Graisse à foret

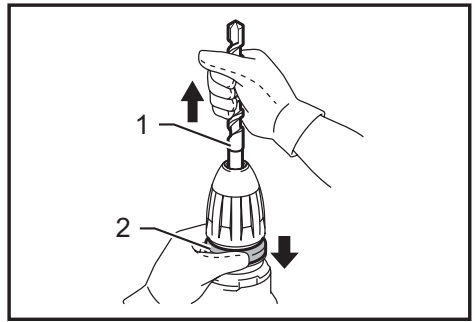
Nettoyez la queue du foret et enduisez-la de graisse à foret avant d'installer le foret.



► 1. Embout 2. Rondelle de déblocage

Insérez le foret dans l'outil. Tournez le foret puis enfoncez-le jusqu'à ce qu'il soit engagé.

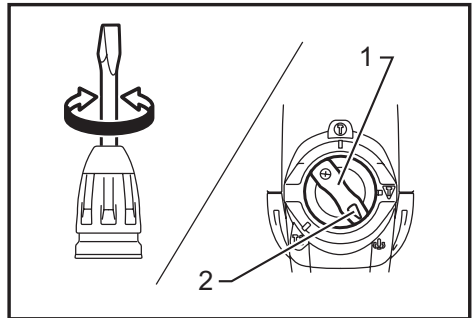
S'il n'est pas possible d'insérer le foret, retirez-le. Tirez la rondelle de déblocage vers le bas à quelques reprises. Insérez ensuite à nouveau le foret. Tournez le foret, puis enfoncez-le jusqu'à ce qu'il soit engagé. Après l'installation, vérifiez toujours que le foret est solidement fixé en essayant de le sortir.




► 1. Embout 2. Rondelle de déblocage

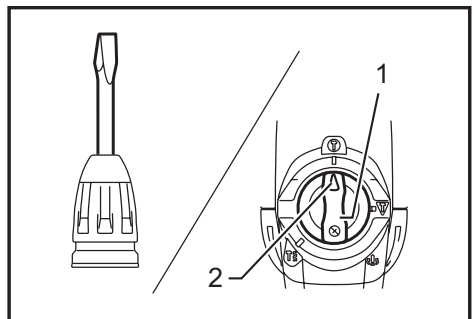
Pour retirer le foret, tirez complètement la rondelle de déblocage vers le bas et tirez sur le foret pour l'extraire.

Orientation du foret (lors d'un burinage, d'un écaillage, ou de travaux de démolition)

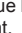


► 1. Levier de changement 2. Index

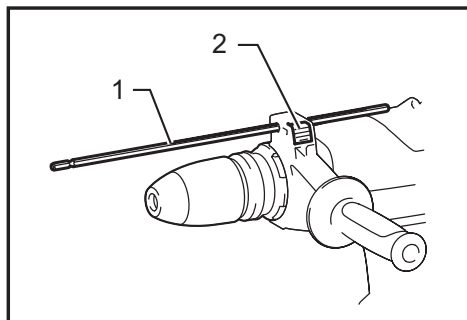
Le foret peut être verrouillé sur 24 angles différents. Pour changer l'angle du foret, tournez le levier de changement de façon à ce que l'index soit dirigé sur le symbole . Orientez le foret à l'angle désiré.



► 1. Levier de changement 2. Index

Tournez le levier de changement de façon à ce que l'index soit dirigé sur le symbole . Vérifiez que le foret est solidement fixé en le tournant légèrement.

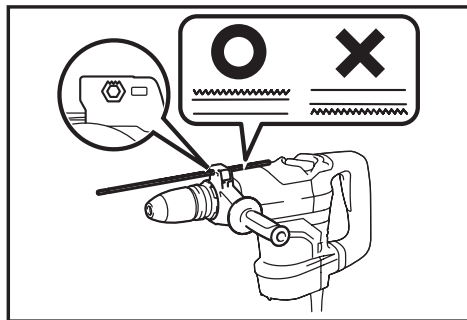
Jauge de profondeur



► 1. Jauge de profondeur 2. Bouton de verrouillage

La jauge de profondeur est pratique pour percer des trous d'une même profondeur.

Tenez le bouton de verrouillage enfoncé, puis insérez la jauge de profondeur dans l'orifice hexagonal.



Vérifiez si le côté dentelé de la jauge de profondeur fait face au repère.

Réglez la jauge de profondeur en la tirant ou en la poussant tout en appuyant sur le bouton de verrouillage. Une fois le réglage effectué, relâchez le bouton de verrouillage pour verrouiller la jauge de profondeur.

NOTE :

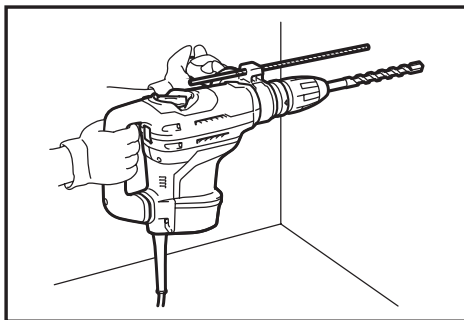
- Le gabarit de profondeur ne pourra pas être utilisé dans les positions où il vient buter contre le carter à engrenages ou le carter du moteur.


UTILISATION

⚠ ATTENTION :

- Assurez-vous que le matériau travaillé est bien fixé et n'est pas instable. Des objets projetés peuvent provoquer des blessures.
- Ne tirez pas avec force sur l'outil, même si le foret est bloqué. Une perte de contrôle peut provoquer des blessures.

Perçage avec martelage

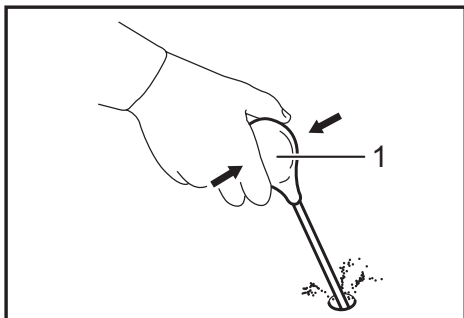


Réglez le levier de changement sur le symbole . Posez la pointe du foret à l'emplacement du trou à percer et pressez sur la gâchette. Ne forcez pas l'outil. Vous obtiendrez de meilleurs résultats avec une légère pression. Tenez l'outil en place et empêchez-le de glisser hors du trou. N'exercez pas plus de pression lorsque le trou est obstrué par des copeaux ou particules. Faites plutôt tourner l'outil au ralenti puis retirez partiellement le foret du trou. En répétant cette opération à plusieurs reprises, le trou se libérera et vous pourrez continuer le perçage.

⚠ ATTENTION :

- Une puissance de rotation élevée et soudaine est exercée sur l'outil/le foret au moment de la percée, lorsque le trou est obstrué par des copeaux et particules ou lorsque des fers à béton sont touchés. Utilisez toujours la poignée latérale (poignée auxiliaire), et tenez fermement l'outil par la poignée latérale et la poignée revolver pendant l'utilisation, et assurez-vous d'avoir un bon équilibre et d'être en appui sur une surface sûre. Le non-respect de cette précaution peut entraîner la perte de contrôle de l'outil, pouvant causer ainsi des blessures graves.

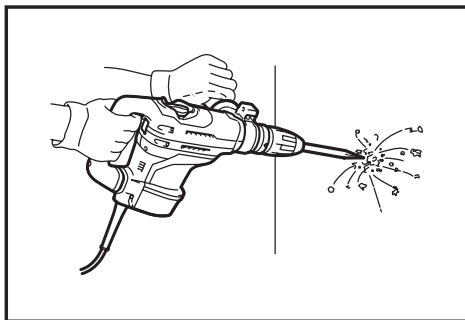
Poire soufflante (accessoire en option)





► 1. Poire soufflante

Une fois le trou percé, utilisez la poire soufflante pour retirer la poussière du trou.

Burinage/Ecaillage/Démolition



Mettez le levier de changement sur le symbole  ou . Tenez l'outil fermement à deux mains. Mettez l'outil en marche et appliquez une légère pression dessus pour éviter qu'il ne bondisse, hors de contrôle. L'efficacité du travail n'augmentera pas même si vous appuyez très fort sur l'outil.

Si vous désirez obtenir plus de détails concernant ces accessoires, veuillez contacter le centre de service après-vente Makita le plus près.

- Foret à pointe en carbure de tungstène SDS-MAX
- Pointe à béton SDS-MAX
- Ciseau à froid SDS-MAX
- Ciseau à écailler SDS-MAX
- Pelle à argile SDS-MAX
- Graisse pour marteau
- Graisse rose
- Poignée étrier latérale
- Poignée latérale
- Jauge de profondeur
- Poire soufflante
- Lunettes de sécurité
- Mallette de transport
- Aspirateur

NOTE :

- Certains éléments de la liste peuvent être inclus avec l'outil comme accessoires standard. Ils peuvent varier suivant les pays.

ENTRETIEN

⚠ ATTENTION :

- Assurez-vous toujours que l'outil est hors tension et débranché avant d'y effectuer tout travail d'inspection ou d'entretien.
- N'utilisez jamais d'essence, de benzine, de solvant, d'alcool ou d'autres produits similaires. Une décoloration, une déformation, ou la formation de fissures peuvent en découler.

Lubrification

⚠ ATTENTION :

- Ce service doit être effectué dans un centre de service Makita agréé ou un centre de service de l'usine Makita uniquement.

Grâce au système de lubrification à la graisse de cet outil, il n'est pas nécessaire de le graisser après quelques heures d'utilisation ou chaque jour. Un graissage régulier est de mise. Envoyez l'outil complet à une usine ou à un centre de service après-vente Makita agréé pour le faire graisser. Pour maintenir la SÉCURITÉ et la FIABILITÉ du produit, les réparations, tout autre travail d'entretien ou de réglage doivent être effectués dans un centre de service Makita agréé ou un centre de service de l'usine Makita, exclusivement avec des pièces de rechange Makita.

ACCESSOIRES EN OPTION

⚠ ATTENTION :

- Ces accessoires ou pièces complémentaires sont recommandés pour l'utilisation avec l'outil Makita spécifié dans ce mode d'emploi. L'utilisation de tout autre accessoire ou pièce complémentaire peut comporter un risque de blessure. N'utilisez les accessoires ou pièces qu'aux fins auxquelles ils ont été conçus.

GARANTIE LIMITÉE D'UN AN DE MAKITA

Politique de garantie

Tous les outils Makita sont soigneusement inspectés et mis à l'essai avant de quitter l'usine. Ils sont garantis contre les vices de fabrication et de matériau pour une période d'UN AN suivant la date de l'achat original. Si un problème survient pendant cette période d'un an, retournez l'outil COMPLET, fret payé d'avance, à une usine ou un centre de service après-vente autorisé Makita. S'il ressort de l'inspection que le problème est dû à un vice de fabrication ou de matériau, Makita réparera (ou remplacera, à son gré) l'outil gratuitement. Cette garantie ne s'applique pas dans les cas où :

- des réparations ont été effectuées ou tentées par un tiers;
- des réparations sont nécessaires en raison de l'usure normale;
- l'outil a été malmené, mal utilisé ou non adéquatement entretenu;
- l'outil a subi des modifications.

MAKITA NE SERA EN AUCUN CAS RESPONSABLE DE TOUS DOMMAGES INDIRECTS, ACCESSOIRES OU CONSÉCUTIFS DE LA VENTE OU DE L'UTILISATION DU PRODUIT. CET AVIS DE NON-RESPONSABILITÉ S'APPLIQUE PENDANT ET APRÈS LA PÉRIODE COUVERTE PAR CETTE GARANTIE.

MAKITA DÉCLINE TOUTE RESPONSABILITÉ QUANT À TOUTES GARANTIES IMPLICITES, Y COMPRIS LES GARANTIES DE « QUALITÉ MARCHANDE » OU D'« ADAPTATION À UN USAGE PARTICULIER » APRÈS LA PÉRIODE DE GARANTIE D'UN AN.

Cette garantie vous donne des droits légaux spécifiques, et vous pouvez également avoir d'autres droits qui varient d'une province à l'autre. Certaines provinces n'autorisent pas l'exclusion ou la restriction des dommages accessoires ou consécutifs, il se peut que la restriction ou l'exclusion ci-dessus ne s'applique pas à vous. Certaines provinces n'autorisent pas de restriction quant à la durée des garanties implicites, il se peut que la restriction ci-dessus ne s'applique pas à vous.

ESPECIFICACIONES

Modelo		HR4003C	HR4013C	HR5202C	HR5212C
Especificaciones eléctricas en México		120 V~ 11 A 50/60 Hz		120 V~ 15 A 50/60 Hz	
Capacidades	Brocas de carburo	40 mm (1-9/16")		52 mm (2-1/16")	
	Corona perforadora	105 mm (4-1/8")		160 mm (6-5/16")	
Velocidad sin carga (RPM)		250 r/min - 500 r/min		150 r/min - 310 r/min	
Golpes por minuto		1 450 - 2 900		1 100 - 2 250	
Longitud total		479 mm (18-11/16")		599 mm (23-1/2")	
Peso neto		6,2 kg (13,8 lbs)	6,8 kg (15,1 lbs)	10,9 kg (24,1 lbs)	11,9 kg (26,2 lbs)

- Debido a nuestro programa continuo de investigación y desarrollo, las especificaciones aquí dadas están sujetas a cambios sin previo aviso.
- Las especificaciones pueden ser diferentes de país a país.
- Peso de acuerdo al procedimiento de EPTA-01/2003

Advertencias de seguridad generales para herramientas eléctricas

⚠ADVERTENCIA: lea todas las advertencias de seguridad e instrucciones. Si no sigue todas las advertencias e instrucciones indicadas a continuación, podrá ocasionar una descarga eléctrica, un incendio y/o lesiones graves.

Guarde todas las advertencias e instrucciones para su futura referencia.

El término "herramienta eléctrica" se refiere, en todas las advertencias que aparecen a continuación, a su herramienta eléctrica de funcionamiento con conexión a la red eléctrica (con cableado eléctrico) o herramienta eléctrica de funcionamiento a batería (inalámbrica).

Seguridad en el área de trabajo

1. **Mantenga el área de trabajo limpia y bien iluminada.** Las áreas oscuras o desordenadas son propensas a accidentes.
2. **No utilice las herramientas eléctricas en atmósferas explosivas, tal como en la presencia de líquidos, gases o polvo inflamables.** Las herramientas eléctricas crean chispas que pueden prender fuego al polvo o los humos.
3. **Mantenga a los niños y curiosos alejados mientras utiliza una herramienta eléctrica.** Las distracciones le pueden hacer perder el control.

Seguridad eléctrica

4. **Las clavijas de conexión de las herramientas eléctricas deberán encajar perfectamente en la toma de corriente. No modifique nunca la clavija de conexión de ninguna forma. No utilice ninguna clavija adaptadora con herramientas eléctricas que tengan conexión a tierra (puesta a tierra).** La utilización de clavijas no modificadas y que encajen perfectamente en la toma de corriente reducirá el riesgo de que se produzca una descarga eléctrica.
5. **Evite tocar con el cuerpo superficies conectadas a tierra o puestas a tierra tales como tubos, radiadores, cocinas y refrigeradores.** Si su cuerpo es puesto a tierra o conectado a tierra existirá un mayor riesgo de que sufra una descarga eléctrica.

6. **No exponga las herramientas eléctricas a la lluvia ni a condiciones húmedas.** La entrada de agua en una herramienta eléctrica aumentará el riesgo de que se produzca una descarga eléctrica.
7. **No jale el cable. Nunca utilice el cable para transportar, jalar o desconectar la herramienta eléctrica. Mantenga el cable alejado del calor, aceite, objetos cortantes o piezas móviles.** Los cables dañados o atrapados aumentan el riesgo de sufrir una descarga eléctrica.
8. **Cuando utilice una herramienta eléctrica en exteriores, utilice un cable de extensión apropiado para uso en exteriores.** La utilización de un cable apropiado para uso en exteriores reducirá el riesgo de que se produzca una descarga eléctrica.
9. **Si no es posible evitar usar una herramienta eléctrica en condiciones húmedas, utilice un alimentador protegido con interruptor de circuito de falla en tierra (ICFT).** El uso de un ICFT reduce el riesgo de descarga eléctrica.

Seguridad personal

10. **Manténgase alerta, preste atención a lo que está haciendo y utilice su sentido común cuando opere una herramienta eléctrica. No utilice la herramienta eléctrica cuando esté cansado o bajo la influencia de drogas, alcohol o medicamentos.** Un momento de distracción mientras opera la máquina puede dar como resultado heridas personales graves.
11. **Use equipo de protección personal. Póngase siempre protección para los ojos.** El equipo protector tal como máscara contra el polvo, zapatos de seguridad antiderrapantes, casco rígido y protección para oídos utilizado en las condiciones apropiadas reducirá las heridas personales.
12. **Impida el encendido accidental. Asegúrese de que el interruptor esté en la posición de apagado antes de conectar a la alimentación eléctrica y/o de colocar el cartucho de la batería, así como al levantar o cargar la herramienta.** Cargar las herramientas eléctricas con su dedo en el interruptor o enchufarlas con el interruptor encendido hace que los accidentes sean propensos.
13. **Retire cualquier llave de ajuste o llave de apriete antes de encender la herramienta.** Una llave de ajuste o llave de apriete que haya sido dejada puesta en una parte giratoria de la herramienta eléctrica podrá resultar en heridas personales.

14. **No utilice la herramienta donde no alcance.** Mantenga los pies sobre suelo firme y el equilibrio en todo momento. Esto permite un mejor control de la herramienta eléctrica en situaciones inesperadas.
15. **Use vestimenta apropiada. No use ropas sueltas ni joyas. Mantenga el cabello, la ropa y los guantes alejados de las piezas móviles.** Las prendas de vestir holgadas, las joyas y el cabello suelto podrían engancharse en estas piezas móviles.
16. **Si dispone de dispositivos para la conexión de equipos de extracción y recolección de polvo, asegúrese de conectarlos y utilizarlos debidamente.** La utilización de estos dispositivos reduce los riesgos relacionados con el polvo.

Mantenimiento y uso de la herramienta eléctrica

17. **No fuerce la herramienta eléctrica. Utilice la herramienta eléctrica correcta para su aplicación.** La herramienta eléctrica adecuada hará un trabajo mejor a la velocidad para la que ha sido fabricada.
18. **No utilice la herramienta eléctrica si el interruptor no la enciende y apaga.** Cualquier herramienta eléctrica que no pueda ser controlada con el interruptor es peligrosa y debe ser reemplazada.
19. **Desconecte la clavija de la fuente de energía y/o la batería de la herramienta eléctrica antes de realizar ajustes, cambiar accesorios o guardar las herramientas eléctricas.** Dichas medidas de seguridad preventivas reducen el riesgo de que la herramienta se inicie accidentalmente.
20. **Guarde la herramienta eléctrica que no use fuera del alcance de los niños y no permita que las personas que no están familiarizadas con ella o con las instrucciones la operen.** Las herramientas eléctricas son peligrosas en manos de personas que no saben operarlas.
21. **Realice el mantenimiento a las herramientas eléctricas. Compruebe que no haya partes móviles**

desalineadas o estancadas, piezas rotas y cualquier otra condición que pueda afectar al funcionamiento de la herramienta eléctrica. Si la herramienta eléctrica está dañada, haga que se la reparen antes de utilizarla. Muchos accidentes son ocasionados por herramientas eléctricas con un mal mantenimiento.

22. **Mantenga las herramientas de corte limpias y filosas.** Si recibe un mantenimiento adecuado y tiene los bordes afilados, es probable que la herramienta se atasque menos y sea más fácil controlarla.
23. **Utilice la herramienta eléctrica, así como accesorios, piezas, brocas, etc. de acuerdo con estas instrucciones y de la manera establecida para cada tipo de unidad en particular; tenga en cuenta las condiciones laborales y el trabajo a realizar.** Si utiliza la herramienta eléctrica para realizar operaciones distintas de las indicadas, podrá presentarse una situación peligrosa.

Servicio de mantenimiento

24. **Haga que una persona calificada repare la herramienta utilizando sólo piezas de repuesto idénticas.** Esto asegura que se mantenga la seguridad de la herramienta eléctrica.
25. **Siga las instrucciones para la lubricación y cambio de accesorios.**
26. **Mantenga las agarraderas secas, limpias y sin aceite o grasa.**

UTILICE CABLES DE EXTENSIÓN APROPIADOS. Asegúrese de que su cable de extensión esté en buenas condiciones. Cuando utilice un cable de extensión, asegúrese de utilizar uno del calibre suficiente para conducir la corriente que demande el producto. Un cable de calibre inferior ocasionará una caída en la tensión de línea y a su vez en una pérdida de potencia y sobrecalentamiento. La Tabla 1 muestra la medida correcta a utilizar dependiendo de la longitud del cable y el amperaje nominal indicado en la placa de características. Si no está seguro, utilice el siguiente calibre más alto. Cuanto menor sea el número de calibre, más corriente podrá conducir el cable.

Tabla 1. Calibre mínimo para el cable

Amperaje nominal		Volts	Longitud total del cable en metros			
		120V~	7,6 m (25 ft)	15,2 m (50 ft)	30,4 m (100 ft)	45,7 m (150 ft)
		220V~ - 240V~	15,2 m (50 ft)	30,4 m (100 ft)	60,8 m (200 ft)	91,2 m (300 ft)
Más de	No más de	Calibre del cable (AWG)				
0 A	6 A	/	18	16	16	14
6 A	10 A		18	16	14	12
10 A	12 A		16	16	14	12
12 A	16 A		14	12	No se recomienda	

ADVERTENCIA DE SEGURIDAD PARA USO DEL MARTILLO ROTATIVO

1. **Utilice protectores para oídos.** La exposición al ruido puede causar la pérdida auditiva.
2. **Utilice el/los mango(s) auxiliar(es) si es que se incluye(n) en la herramienta.** Una pérdida del control puede ocasionar lesiones personales.
3. **Cuando realice una operación donde el accesorio de corte pueda entrar en contacto con cableado oculto o con su propio cable, sujete la herramienta eléctrica por las superficies de asiento aisladas.** Si el accesorio

giratorio hace contacto con un cable con corriente, las piezas metálicas expuestas de la herramienta eléctrica se electrificarán también y el operador puede recibir una descarga.

4. **Utilice un casco protector (de seguridad), gafas de seguridad y/o máscara protectora. Los anteojos comunes o para el sol NO son gafas de seguridad.** También se recomienda usar una mascarilla para protegerse del polvo y guantes bien acolchados.
5. **Asegúrese de que la broca se encuentre fija en su lugar antes de su funcionamiento.**
6. **En condiciones normales de funcionamiento, la herramienta está diseñada para producir**

vibración. Los tornillos pueden aflojarse fácilmente y causar una falla o accidente. Verifique cuidadosamente si los tornillos están ajustados antes de poner en funcionamiento la herramienta.




7. En clima frío o cuando la herramienta no haya sido utilizada durante largo tiempo, deje calentar la herramienta durante un rato haciéndola funcionar sin carga. Esto agilizará la lubricación. Sin un calentamiento apropiado, la operación de percusión resultará difícil de realizar.
8. Asegúrese siempre de que pisa sobre suelo firme. Asegúrese de que no haya nadie debajo cuando utilice la herramienta en lugares altos.
9. Sujete la herramienta firmemente con ambas manos.
10. Mantenga las manos alejadas de las partes móviles.
11. No deje la herramienta en marcha. Tenga en marcha la herramienta solamente cuando la tenga en la mano.
12. No apunte a ninguna persona cercana con la herramienta cuando la opere. La broca puede salir volando y herir a alguien de gravedad.
13. No toque la broca o las partes cercanas a ella inmediatamente después de operar la herramienta puesto que pueden estar calientes y quemarle la piel.
14. Algunos materiales contienen sustancias químicas que pueden ser tóxicas. Tome precauciones para evitar la inhalación de polvo o que éste tenga contacto con la piel. Consulte la información de seguridad del proveedor de los materiales.

GUARDE ESTAS INSTRUCCIONES.

⚠ ADVERTENCIA: NO DEJE que la comodidad o familiaridad con el producto (a base de utilizarlo repetidamente) sustituya la estricta observancia de las normas de seguridad para dicho producto. El MAL USO o el no seguir las normas de seguridad establecidas en este manual de instrucciones puede ocasionar graves lesiones personales.

Símbolos

A continuación se muestran los símbolos utilizados para la herramienta.

V	volts o voltios
A	ampere o ampérío
Hz	hertz o hercios
	corriente alterna
n_0	velocidad en vacío o sin carga
	Construcción clase II
... /min r /min	revoluciones o alternaciones por minuto, frecuencia de rotación.
	número de percusiones

DESCRIPCIÓN DEL FUNCIONAMIENTO

⚠ PRECAUCIÓN:

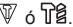

- Asegúrese siempre de que la herramienta esté apagada y desconectada antes de ajustar o comprobar cualquier función en la misma.

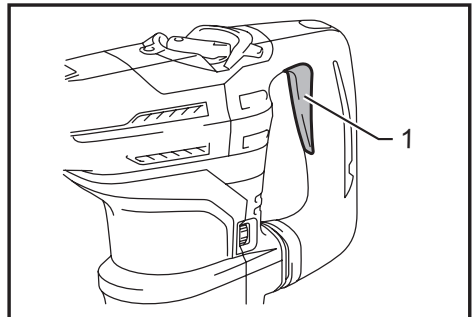
Accionamiento del interruptor

⚠ PRECAUCIÓN:

- Antes de conectar la herramienta, compruebe siempre que el gatillo interruptor se acciona debidamente y que vuelve a la posición "OFF" (apagado) cuando lo suelta.

Gatillo interruptor


Este interruptor funciona cuando la herramienta está puesta en el modo de accionamiento del símbolo  o .

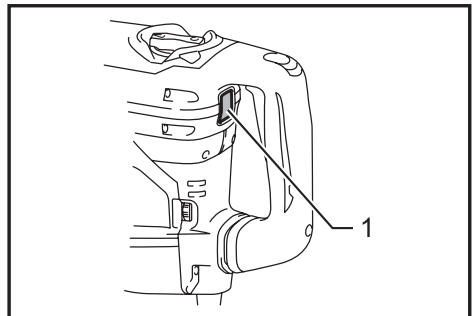


► 1. Gatillo interruptor


Para comenzar a utilizar la herramienta, simplemente presione el gatillo interruptor. Suéltelo para detenerla.

Botón interruptor

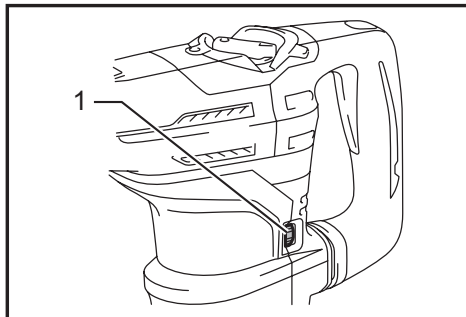
Este interruptor funciona cuando la herramienta se ajusta en el modo del símbolo .



► 1. Botón interruptor

Cuando la herramienta está en el modo del símbolo , el botón interruptor sobresale y se enciende en rojo. Para encender la herramienta, presione el botón interruptor. La luz del interruptor se enciende en verde. Para parar la herramienta, presione el botón interruptor de nuevo.

Cambio de velocidad



► 1. Control de ajuste de velocidad

Las revoluciones y percusiones por minuto pueden ajustarse simplemente girando el control de ajuste de velocidad. El control está marcado con 1 (mínima velocidad) a 5 (máxima velocidad). Consulte la tabla de abajo para ver la relación entre las posiciones del control de ajuste y las revoluciones ó golpes por minuto.

Para modelo HR4003C, HR4013C

Número en el control de ajuste	Revoluciones por minuto	Golpes por minuto
5	500 r/min	2 900
4	470 r/min	2 700
3	380 r/min	2 150
2	290 r/min	1 650
1	250 r/min	1 450

Para modelo HR5202C, HR5212C

Número en el control de ajuste	Revoluciones por minuto	Golpes por minuto
5	310 r/min	2 250
4	290 r/min	2 100
3	230 r/min	1 700
2	180 r/min	1 300
1	150 r/min	1 100

Solo para modelo HR4013C, HR5212C

NOTA:

- Las percusiones por minuto cuando no hay carga de trabajo se hacen menores que cuando hay carga, y esto es para reducir la vibración generada al no haber carga, y no es señal de problema. Una vez que la operación comience con la broca contra el concreto, las percusiones por minuto incrementan a como están indicados en la tabla. Cuando la temperatura es baja y la grasa tenga menor fluidez, puede que la herramienta no realice esta función ni con el motor girando.

⚠PRECAUCIÓN:

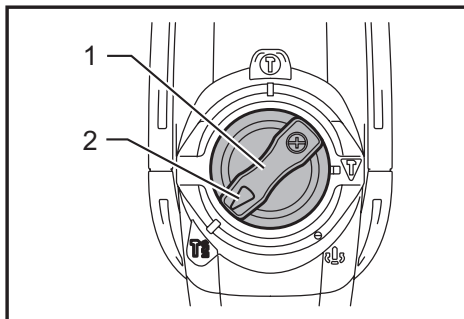
- Si la herramienta se utiliza continuamente a velocidades bajas por un periodo prolongado, puede que el motor se sobrecargue resultando en un funcionamiento defectuoso.
- El control de ajuste de velocidad sólo se puede girar hasta 5 o hasta 1. No lo force más allá de estas marcas o la función de ajuste de velocidad podría arruinarse.

Selección del modo de accionamiento


⚠PRECAUCIÓN:

- No gire la palanca de cambio cuando la herramienta se encuentre en funcionamiento. Se puede dañar la herramienta.
- Para evitar el desgaste rápido del mecanismo de cambio modo, asegúrese de que la palanca de cambio se encuentre siempre ubicada positivamente en una de las posiciones del modo acción.

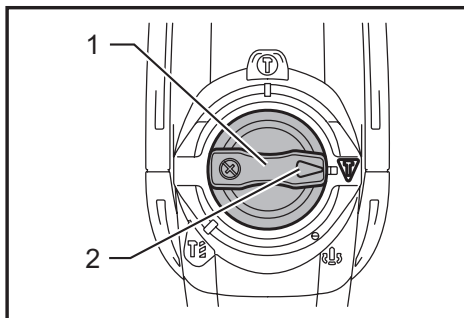
Modo de taladro con percusión




► 1. Palanca de cambio 2. Apuntador o puntero

Para taladrar en concreto, mampostería, etc., gire la palanca de cambio al símbolo . Use una broca con punta de carburo de tungsteno.

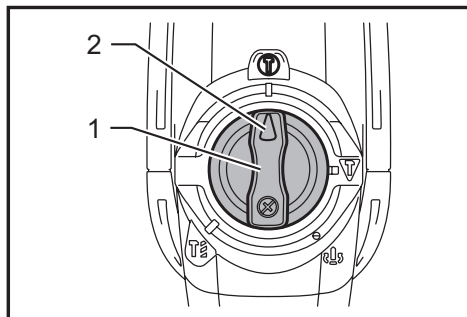
Modo de percusión (modo del gatillo interruptor)




► 1. Palanca de cambio 2. Apuntador o puntero

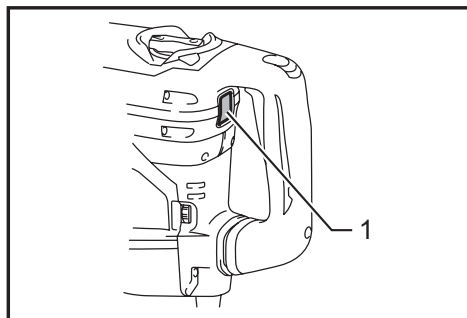
Para operaciones de cincelado, tallado o de demolición, gire la palanca de cambio al símbolo . Utilice un cincel de punta, cincel, formón, etc.

Modo de percusión (modo del botón interruptor)



► 1. Palanca de cambio 2. Apuntador o puntero


Para operaciones continuas de cincelado, tallado o de demolición, gire la palanca de cambio al símbolo .



► 1. Botón interruptor

El botón interruptor sobresale y se enciende en rojo. Utilice un cincel de punta, cincel, formón, etc.

NOTA:

- Al usar la herramienta en el modo del símbolo , el gatillo interruptor no funciona, solamente el botón interruptor funciona.

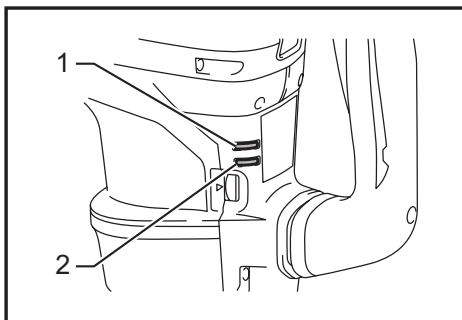
Limitador de torsión

El limitador de torsión se acciona cuando la torsión alcanza cierto nivel. El motor se desengancha del eje de salida. Cuando esto sucede, la broca deja de girar.

PRECAUCIÓN:

- Tan pronto se accione el limitador de torsión, apague de inmediato la herramienta. De esta manera, se evita el desgaste prematuro de la herramienta.

Luz indicadora



► 1. Lámpara indicadora de herramienta encendida (verde) 2. Indicadora de servicio (roja)

La luz indicadora verde de encendido ("ON") se enciende cuando la herramienta está conectada. Si la luz indicadora no se enciende, puede que haya un defecto en el cable de corriente eléctrica o en el controlador.

Cuando la luz indicadora esté encendida pero la herramienta no se activa, incluso cuando la herramienta está encendida, puede que las escobillas de carbón estén desgastadas, o bien, que el controlador o el interruptor de encendido y apagado ("ON/OFF") esté defectuoso. Si lo síntomas antes mencionados ocurren, deje de usar la herramienta de inmediato y acuda a su centro local de servicio.

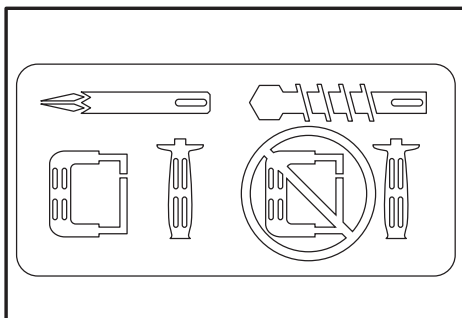
La luz indicadora roja de servicio parpadea cuando las escobillas de carbón están casi desgastadas para indicar que la herramienta requiere servicio de mantenimiento. Tras cierto tiempo de uso, el motor automáticamente se apaga.

ENSAMBLE

PRECAUCIÓN:

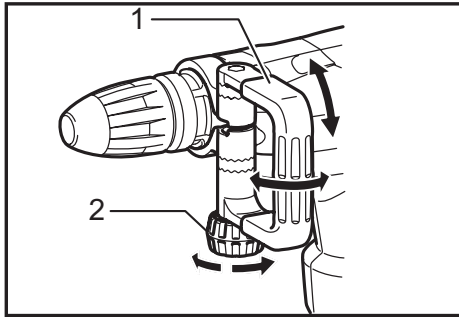
- Asegúrese siempre de que la herramienta esté apagada y desconectada antes de realizar cualquier trabajo en la misma.

Empuñadura lateral de asa



⚠PRECAUCIÓN:

- Utilice la empuñadura lateral de asa solamente para cincelar, desincrustar o demoler. No la utilice para perforar en cemento, albañilería, etc. La herramienta no puede sujetarse debidamente con la empuñadura lateral de asa cuando se perfora.



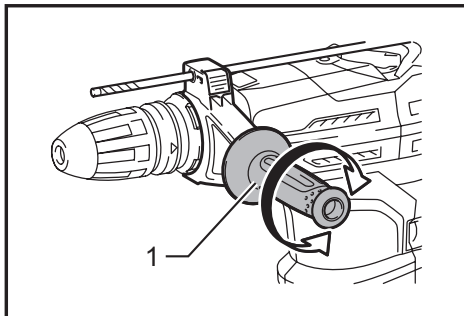
► 1. Empuñadura lateral de asa 2. Tuerca fijadora

La empuñadura lateral se puede girar 360° en vertical y sujetarse en cualquier posición deseada. También se sujeta en ocho posiciones diferentes hacia atrás y adelante en horizontal. Simplemente afloje la tuerca de la abrazadera para girar la empuñadura lateral a la posición deseada. Después apriete la tuerca de la abrazadera firmemente.

Empuñadura lateral de mango

⚠PRECAUCIÓN:

- Utilice siempre la empuñadura lateral de mango para garantizar una operación segura cuando perfora en cemento, albañilería, etc.



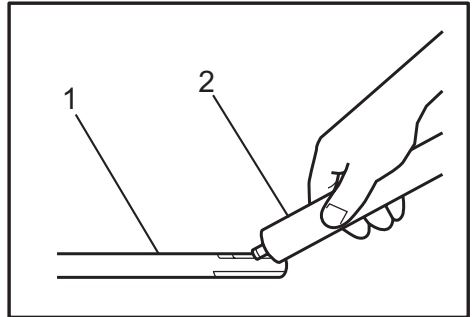
► 1. Empuñadura lateral de mango

La empuñadura lateral puede ser girada alrededor en ambas direcciones, permitiendo un manejo fácil de la herramienta en cualquier posición. Afloje la empuñadura lateral girándola hacia la izquierda, gírela a la posición deseada y después apriétela girándola hacia la derecha.

Grasa para brocas (accesorio opcional)

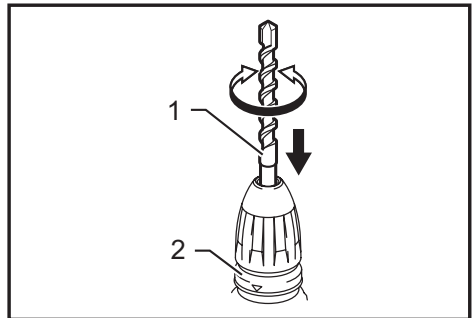
Cubra la cabeza del zanco de la broca antes de la tarea con una pequeña cantidad de grasa para brocas (aprox. 0,5 g - 1 g ; 0,02 - 0,04 oz). Esta lubricación del portabrocas asegurará un accionamiento suave y una vida de servicio más larga.

Instalación o extracción de la broca/cinzel



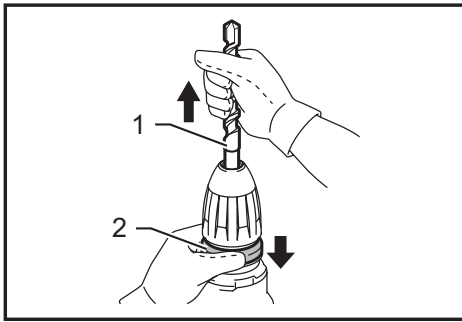
► 1. Zanco de la broca/cinzel 2. Grasa para broca/cinzel

Limpie el zanco del cinzel/broca y aplíquelo grasa antes de instalarlo.



► 1. Broca o cinzel 2. Cubierta de liberación

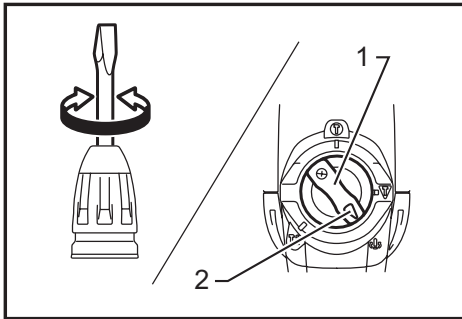
Inserte la broca o el cinzel en la herramienta. Gírela y presiónelo hacia dentro hasta que quede encajado. Si la broca no puede ser presionada hacia adentro, retire la broca. Jale hacia abajo la cubierta de liberación un par de veces. Luego inserte la broca nuevamente. Gírela y presiónela hasta que quede encajada. Después de la instalación, asegúrese siempre de que esté bien sujeto en el mandril intentando sacarlo.



► 1. Broca o cincel 2. Cubierta de liberación

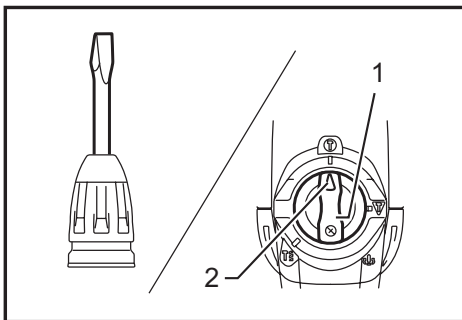
Para retirar la broca/cincel, jale hacia abajo la cubierta de liberación completamente y jálela hacia afuera.

Ángulo de cincel (al cortar, demoler o tallar)



► 1. Palanca de cambio 2. Apuntador o puntero

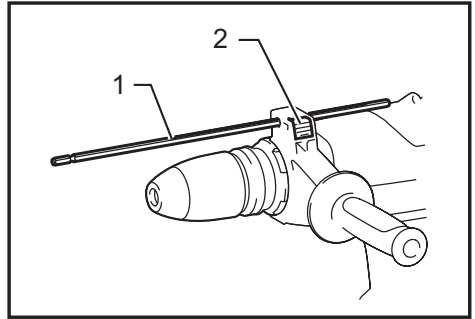
El cincel puede colocarse en 24 ángulos diferentes. Para cambiar el ángulo del cincel, gire la palanca de cambio para que el apuntador apunte hacia el símbolo deseado. Gire el cincel al ángulo deseado.



► 1. Palanca de cambio 2. Apuntador o puntero

Gire la palanca de cambio de tal forma que el apuntador apunte al símbolo deseado. Luego, asegúrese de que el cincel esté bien sujeto en su lugar, girándolo ligeramente.

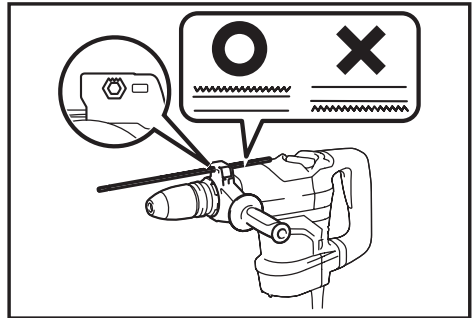
Calibrador de profundidad



► 1. Calibrador de profundidad 2. Botón de bloqueo

El calibrador de profundidad sirve para taladrar orificios de profundidad uniforme.

Presione y sostenga el botón de bloqueo, e inserte el calibrador de profundidad en el orificio hexagonal.



Asegúrese de que el lado dentado del calibrador de profundidad quede orientado hacia la marca.

Ajuste el calibrador de profundidad al moverlo hacia adelante y hacia atrás mientras presiona el botón de bloqueo. Tras el ajuste, libere el botón de bloqueo para fijar el calibrador de profundidad.

NOTA:

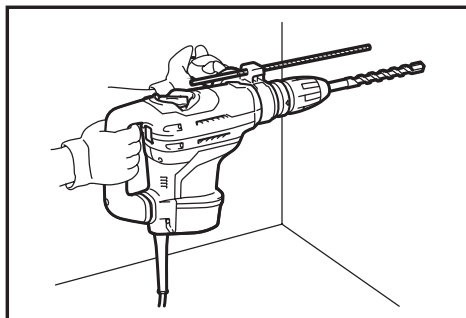
- El tope de profundidad no podrá ser utilizado en la posición donde éste tope golpee contra la caja de engranajes o la caja del motor.

OPERACIÓN

⚠PRECAUCIÓN:

- Asegúrese de que el material de trabajo esté bien fijado y no esté inestable. Puede que el arrojado de algún objeto por no estar fijo cause lesiones personales.
- No jale la herramienta forzosamente incluso si la broca se atasca. Puede que la pérdida del control ocasione lesiones.

Operación de taladrado con percusión



Ponga la palanca de cambio en el símbolo . Posicione la broca en el lugar deseado del orificio y luego accione el gatillo interruptor.

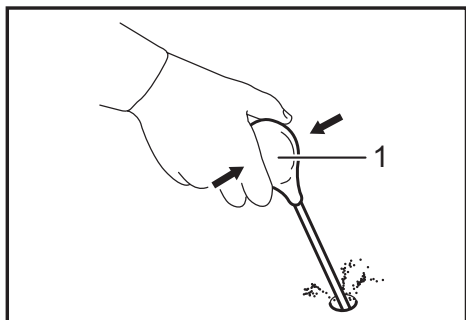
No fuerce la herramienta. Con una leve presión se obtienen mejores resultados. Mantenga la herramienta en la posición adecuada y evite que se deslice del orificio.

No ejerza mayor presión cuando el orificio esté obstruido con partículas o virutas. En lugar de esto, accione la herramienta sin carga y luego retire la broca parcialmente del orificio. Al repetir esta acción varias veces, el orificio se limpiará y se reanudará la operación de taladrado.

PRECAUCIÓN:

- En el momento de realizar perforaciones, cuando éstas se atascan con virutas y partículas, o cuando se topa con las varillas de refuerzo del concreto (hormigón armado), se ejerce una fuerza de torsión tremenda y repentina sobre la herramienta / broca. Utilice siempre la empuñadura lateral (auxiliar) y sujete la herramienta firmemente de la empuñadura lateral y de la empuñadura del interruptor durante las operaciones, y mantenga un buen equilibrio y pisado firme. No hacerlo así puede que resulte en la pérdida del control de la herramienta y posiblemente ocasionar graves lesiones.

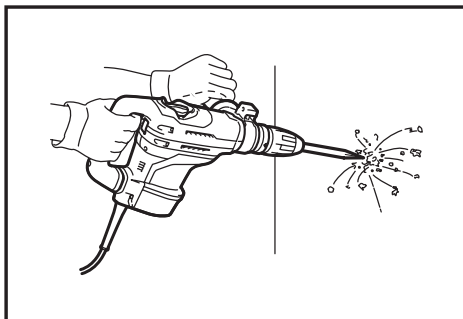
Soplador (Accesorio opcional)



► 1. Soplador

Después de taladrar el agujero, utilice el soplador para limpiar el polvo del agujero.

Cincelado/Tallado/Demolición



Ajuste la palanca de cambio hacia el símbolo al símbolo o .

Sostenga la herramienta firmemente con ambas manos. Encienda la herramienta y aplique una leve presión sobre ésta para evitar que la herramienta rebote sin control. Hacer una presión excesiva con la herramienta no mejorará la eficiencia.

MANTENIMIENTO

PRECAUCIÓN:

- Asegúrese siempre que la herramienta esté apagada y desconectada antes de intentar realizar una inspección o mantenimiento.
- Nunca use gasolina, bencina, diluyente (tíner), alcohol o sustancias similares. Puede que esto ocasione grietas o descoloramiento.

Lubricación

PRECAUCIÓN:

- Este servicio deberá ser realizado en Centros o Servicios de fábrica Autorizados por Makita solamente.

Esta herramienta no requiere de lubricación cada hora ni cada día porque cuenta con un sistema de paquete de lubricación. Éste lubricará de forma habitual. Envíe la herramienta completa a un centro de servicio del fabricante o centro autorizado Makita para mantenimiento a este sistema de lubricación.

Para mantener la SEGURIDAD y FIABILIDAD del producto, las reparaciones, y cualquier otra tarea de mantenimiento o ajuste deberán ser realizadas en Centros de Servicio Autorizados por Makita, empleando siempre repuestos Makita.

ACCESORIOS OPCIONALES

⚠️ PRECAUCIÓN:

- Estos accesorios o aditamentos (incluidos o no) están recomendados para utilizar con su herramienta Makita especificada en este manual. El empleo de cualesquiera otros accesorios o acoplamientos conllevará un riesgo de sufrir heridas personales. Utilice los accesorios o acoplamientos solamente para su fin establecido.

Si necesita cualquier ayuda para más detalles en relación con estos accesorios, pregunte a su centro de servicio Makita local.

- Brocas con punta de carburo SDS-MAX
- Punta rompedora MAX-SDS
- Cortaferro MAX-SDS
- Cíncel desincrustador MAX-SDS
- Pala de arcilla MAX-SDS
- Lubricante para martillo
- Grasa para brocas
- Empuñadura lateral de asa
- Empuñadura lateral de mango
- Calibrador de profundidad
- Soplador
- Gafas de seguridad
- Caja transportadora
- Acoplamiento extractor de polvo

NOTA:

- Algunos de los artículos en la lista puede que vengan junto con el paquete de la herramienta como accesorios incluidos. Puede que estos accesorios varíen de país a país.

GARANTÍA LIMITADA DE UN AÑO DE MAKITA

Ésta Garantía no aplica para México **Política de garantía**

Cada herramienta Makita es inspeccionada y probada exhaustivamente antes de salir de la fábrica. Se garantiza que está libre de defectos de mano de obra y materiales por el período de UN AÑO a partir de la fecha original de compra. Si durante este período de un año se desarrollara algún problema, devuelva la herramienta COMPLETA, con el envío prepagado, a un centro de servicio autorizado o de fábrica Makita. Si la inspección muestra que el problema ha sido a causa de un defecto de mano de obra o material, Makita hará la reparación (o a su discreción, el reemplazo) sin ningún cargo.

Esta garantía no aplica cuando:

- las reparaciones se hayan hecho o intentado hacer por otros;
- se requieran reparaciones debido al desgaste normal;
- la herramienta haya sido maltratada, recibido un mal uso o haya recibido un mantenimiento inapropiado;
- se hayan hecho modificaciones a la herramienta.

EN NINGÚN CASO MAKITA SE HARÁ RESPONSABLE DE NINGÚN DAÑO INDIRECTO, INCIDENTAL, O DERIVADO DE LA VENTA O USO DEL PRODUCTO. ESTE DESCARGO DE RESPONSABILIDAD APLICA DURANTE Y DESPUÉS DEL PLAZO DE ESTA GARANTÍA. MAKITA RENUNCIA A LA RESPONSABILIDAD POR CUALQUIER GARANTÍA IMPLÍCITA, INCLUYENDO GARANTÍAS DE "COMERCIABILIDAD" Y "ADECUACIÓN PARA UN PROPÓSITO ESPECÍFICO", DESPUÉS DEL PLAZO DE UN AÑO DE ESTA GARANTÍA.

Esta garantía le concede derechos legales específicos y usted podrá tener también otros derechos que varían de un estado a otro. Algunos estados no permiten la exclusión o limitación de daños incidentales o consecuentes, por lo que la limitación o exclusión arriba mencionada podría no aplicar para usted. Algunos estados no permiten la limitación sobre la duración de una garantía implícita, por lo que la limitación arriba mencionada podría no aplicar para usted.

< USA only >

WARNING

Some dust created by power sanding, sawing, grinding, drilling, and other construction activities contains chemicals known to the State of California to cause cancer, birth defects or other reproductive harm. Some examples of these chemicals are:

- lead from lead-based paints,
- crystalline silica from bricks and cement and other masonry products, and
- arsenic and chromium from chemically-treated lumber.

Your risk from these exposures varies, depending on how often you do this type of work. To reduce your exposure to these chemicals: work in a well ventilated area, and work with approved safety equipment, such as those dust masks that are specially designed to filter out microscopic particles.

< Sólo en los Estados Unidos >

ADVERTENCIA

Algunos polvos creados por el lijado, aserrado, esmerilado, taladrado y otras actividades de la construcción contienen sustancias químicas reconocidas por el Estado de California como causantes de cáncer, defectos de nacimiento y otros peligros de reproducción. Algunos ejemplos de estos productos químicos son:

- plomo de pinturas a base de plomo,
- sílice cristalino de ladrillos y cemento y otros productos de albañilería, y
- arsénico y cromo de maderas tratadas químicamente.

El riesgo al que se expone varía, dependiendo de la frecuencia con la que realice este tipo de trabajo. Para reducir la exposición a estos productos químicos: trabaje en un área bien ventilada y póngase el equipo de seguridad indicado, tal como las máscaras contra polvo que están especialmente diseñadas para filtrar partículas microscópicas.

Makita Corporation

3-11-8, Sumiyoshi-cho,
Anjo, Aichi 446-8502 Japan

www.makita.com

885355A949
EN, FRCA, ESMX
20170128