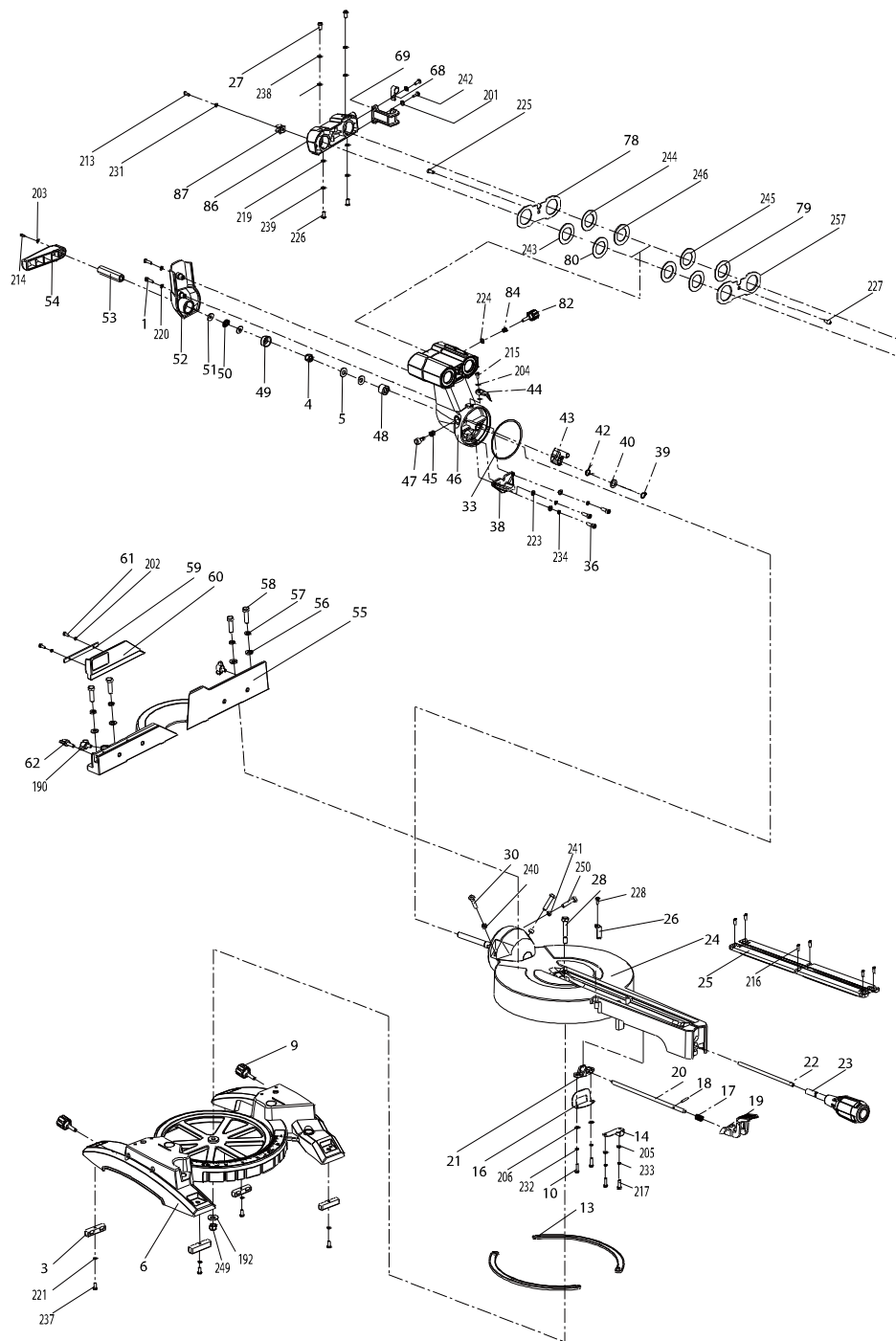
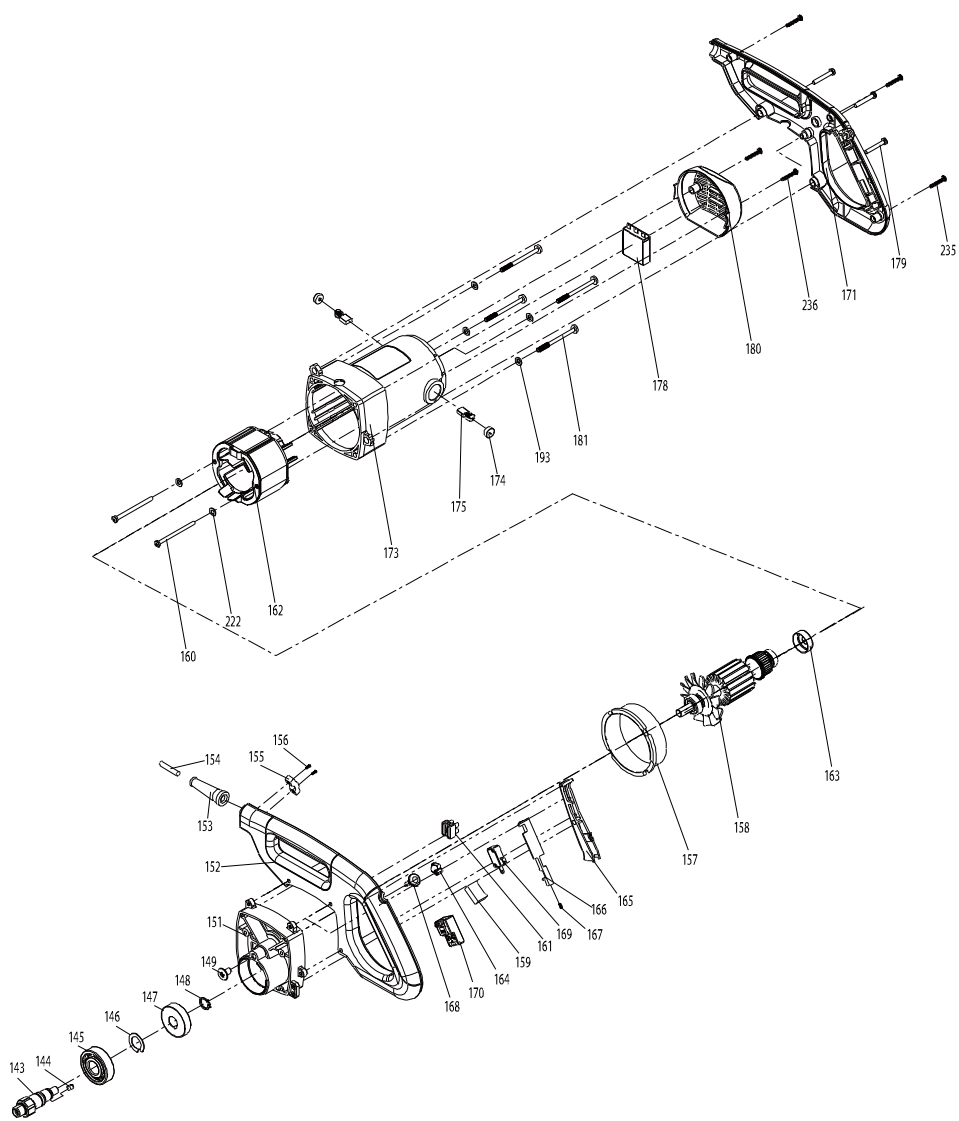


Modelo LS1017L SIERRA DE INGLETE COMPUESTA



Modelo LS1017L SIERRA DE INGLETE COMPUESTA

Modelo LS1017L SIERRA DE INGLETE COMPUESTA



Modelo LS1017L SIERRA DE INGLETE COMPUESTA

Página 1 / 7

Pieza	Código	Descripción	Info	CTD.	N/O	Opc. 1	Opc. 2	OBS.
001	JM23100006	CROSS HEAD SCREW M5X20		2				
002	JM23100007	FLAT WASHER 5		2				
003	JM23100008	PAD		4				
004	JM23100009	LOCKNUT M10		1				
005	JM23100010	FLAT WASHER 10		2				
006	JM23100300	BASE COMPLETE		1				
C10	JM2708A060	CAUTION LABEL		2				
C20	JM23100012	MITER SCALE LABEL		1				
D10		INC. 7			*			
007	JM23100012	MITER SCALE LABEL		1	*			
009	JM23100013	KNOB FOR EXT.WING		2				
010	JM23100014	CROSS HEAD SCREW M4X15		2				
013	JM23100017	FRICTION PLATE		2				
014	JM23100018	LOCK PLATE A		1				
015	JM23100019	CROSS HEAD SCREW M4X18		2				
016	JM23100020	LOCK PLATE B		1				
017	JM23100021	TAPA P/LS1017L		1				
018	JM23100022	PERNO P/LS1017L		1				
019	JM23100023	PALANCA DE SEGURIDAD P/LS1017L		1				
020	JM23100024	LOCK SHAFT B		1				
021	JM23100025	WORKING TABLE LOCKING BRACKET		1				
022	JM23100026	LOCK SHAFT A		1				
023	JM23100027	MITER LOCKING HANDLE		1				
024	JM23100311	WORKING TABLE COMPLETE		1				
C10	JM23100036	BEVEL SCALE		1				
C20	JM23100038	ELASTIC PIN 4X20		1				
C30	JM23100039	LOCKING ROD		1				
C40	JM23100009	LOCKNUT M10		1				
C50	JM23180072	CAUTION LABEL		1				
D10		INC. 32,34,35			*			
025	JM23100029	TABLE INSERT		2				
026	JM23100030	MITER POINTER		1				
027	JM23100031	CROSS HEAD SCREW M5X15		2				
028	JM23100032	PIVOT SHAFT		1				
030	JM23100034	HEX BOLT M6X28		1				
031	JM23100035	ANTI-LOOSEN RING		2				
032	JM23100036	BEVEL SCALE		1	*			
033	JM23100037	FRICTION RING		1				
034	JM23100038	ELASTIC PIN 4X20		1	*			
035	JM23100039	LOCKING ROD		1	*			
036	JM23100040	H.S.BOLT M6X20		3				
037	JM23100041	FLAT WASHER		4				
038	JM23100042	45DEGREE LIMIT BRACKET		1				
039	JM23100043	RETAINING RING 10		1				
040	JM23100044	FLAT WASHER 12X20X1		1				
041	JM23100045	ANGLE LIMIT SHAFT		1	*			
042	JM23100046	90DEGREE BLOCK SPRING		1				
043	JM23100047	90DEGREE BLOCK		1				

Modelo LS1017L SIERRA DE INGLETE COMPUESTA

Página 2 / 7

Pieza	Código	Descripción	Info	CTD.	N/O	Opc. 1	Opc. 2	OBS.
044	JM23100048	BEVEL POINTER		1				
045	JM23100049	MITER PRESSION SPRING		1				
046	JM23100330	SUPPORT ARM COMPLETE		1				
C10	JM23100045	ANGLE LIMIT SHAFT		1				
C20	JM23100081	BUFFER		1				
C30	JM23100085	LINEAR BEARING		1				
C40	JM23100087	LOCK SCREW M6X8		1				
C50	JM23100081	BUFFER		1				
D10		INC. 77,79-81,83,243-246,256			*			
D11		INC. 79-80,243-246						
047	JM23100051	LIMITED KNOB		1				
048	JM23100052	CLAMP PLATE		1				
049	JM23100053	BOWL TYPE PLATE		1				
050	JM23100054	SURFACE BEARING		1				
051	JM23100055	BIG FLAT WASHER 10X26X2.5		2				
052	JM23100056	SLIDING BRACKET COVER		1				
053	JM23100057	HEX NUT		1				
054	JM23100058	BEVEL LOCKING HANDLE		1				
055	JM23100059	RIP FENCE		1				
056	JM23100060	FLAT WASHER 8		4				
057	JM23100061	SPRING WASHER 8		4				
058	JM23100062	HEX BOLT M8X30		4				
059	JM23100063	KEY		1				
060	JM23100322	SUB FENCE COMPLETE		1				
C10	JM23180070	CAUTION LABEL		1				
061	JM23100065	CROSS HEAD SCREW M4X8		2				
062	JM23100066	WING KNOB M6X20		1				
063	JM23100067	H.S.BOLT M4X12		1				
064	JM23100068	LASER MOVING FIX PLATE		1				
065	JM23100069	LASER CORD CLAMP		1				
066	JM23100070	LASER		1				
067	JM23100071	THIN FLAT WASHER 6		1				
068	JM23100072	CORD CLAMP		1	*			
068-1	JM23100194	CORD CLAMP	<	1				
069	JM23100073	CORD WRAP BRACKET		1				
070	JM23100341	UP BLADE GUARD BRACKETCOMPLE		1	*			
D10		INC. 76,183			*			
070-1	JM23100343	UP BLADE GUARD BRACKET CMPLT	O	1				
C10	JM23100145	ELASTIC PIN 5X30		2				
D10		INC. 76,183			*			
071	JM23100075	LASER BASE		1				
072	JM23100076	H.S.SCREW M4X10		1				
073	JM23100077	CONNECTION SHAFT		1				
074	JM23100078	TORSION SPRING		1				
075	JM23100079	LOCATION TUBE		2				
076	JM23100080	SLIDING BAR		2	*			
077	JM23100081	BUFFER		1	*			
078	JM23100082	BEARING BAFFLE		1				

Modelo LS1017L SIERRA DE INGLETE COMPUESTA

Página 3 / 7

Pieza	Código	Descripción	Info	CTD.	N/O	Opc. 1	Opc. 2	OBS.
079	JM23100083	LIMITED BRACKET		2				
080	JM23100084	DUSTPROOF RING		1				
081	JM23100085	LINEAR BEARING		3	*			
082	JM23100086	SLIDING BAR LOCKING KNOB		1				
083	JM23100087	LOCK SCREW M6X8		2	*			
084	JM23100088	PRESSURE SPRING		1				
085	JM23100089	CROSS HEAD SCREW M5X12		2				
086	JM23100090	SLIDING BAR REAR COVER		1				
087	JM23100091	WRENCH CLIP		1				
089	JM23100092	CUTTING DEPTH ADJUSTABLE PLATE		1				
090	JM23100093	PIN C		1	*			
090-1	JM23100193	PIN C	O	1				
091	JM23100094	WAVE SPRING WASHER		1				
092	JM23100095	FLAT WASHER 8X14X1		1				
093	JM23100096	DEPTH ADJUSTABLE PLATE BOLT		1				
094	JM23100097	PIN CAP		1				
095	JM23100098	LINK SLEEVE		1				
096	JM23100099	LINK		1				
097	JM23100350	LOWER BLADE GUARD COMPLETE		1				
C10	JM23100101	GUARD RIVET		3	*			
C20	JM23100105	LOWER BLADE GUARD PLATE		1	*			
C30	JM23100104	FLAT WASHER 5		3	*			
D10		INC. 97,98,101,102			*			
D11		INC. 101			*			
098	JM23100101	GUARD RIVET		3	*			
099	JM23100102	GUARD WHEEL		1				
100	JM23100103	WHEEL LOCK RING		1				
102	JM23100105	LOWER BLADE GUARD PLATE		1	*			
103	JM23100106	SQUARE NECK BOLT M6X12		1				
104	JM23100107	GUARD SPRING		1				
105	JM23100108	BOWL PLATE		1				
106	JM23100109	GUARD FIX PLATE		1				
107	JM23100110	LOCKNUT M6		1				
108	JM23100111	H.S.BOLT M6X45		4				
109	JM23100112	HEX BOLT FOR GUARD		1				
110	JM23100113	CROSSHEAD SCREW FOR GUARD		1				
111	JM23100114	LINK PIN		1	*			
112	JM23100115	RETAINING RING 5		1				
113	JM23100116	LOCK SCREW M6X12		2				
114	JM23100117	DUST PORT		1				
115	JM23100118	HEX BOLT M6X25		1				
116	JM23100119	LIMITED KNOB		1				
117	JM23100120	H.S.SCREW M6X15		1				
118	JM23100362	UP BLADE GUARD COMPLETE		1	*			
D10		INC. 185			*			
118-1	JM23100367	UP BLADE GUARD COMPLETE	O	1				
C20	JM23100114	LINK PIN		1				
C30	JM23100147	BUFFER		1				

Modelo LS1017L SIERRA DE INGLETE COMPUESTA

Página 4 / 7

Pieza	Código	Descripción	Info	CTD.	N/O	Opc. 1	Opc. 2	OBS.
D10		INC. 185			*			
119	JM23100122	DUST GUIDE PLATE		1				
120	JM23100123	COPPER CONNECTION PLATE		1				
121	JM23100124	BLADE FLANGE		1				
123	JM23100125	BATTERY BOX		1				
124	JM23100126	LASER CORD TUBE		1				
125	JM23100127	LASER SWITCH COVER		1				
126	JM23100128	BATTERY BOX COVER		1				
127	JM23100129	LASER SWITCH		1				
128	JM23100130	SELF-TAPPING SCREW 2.9X12		2				
129	JM23100131	ANODE COPPER SHEET		1				
130	JM23100132	CATHODE COPPER SHEET		1				
131	JM23100133	BATTERY BOX SPRING		2				
132	JM23100134	LOCK PLATE		1				
133	JM23100135	LOCK SPRING		1				
134	JM23100136	LOCK COVER PLATE		1				
135	JM23100137	INSERT		1				
136	JM23100138	LOCK COVER		1				
143	JM23100155	OUTPUT SHAFT		1				
144	JM23100156	KEY 5X10		1				
145	JM23100157	BEARING 6304		1				
146	JM23100158	RETAINING RING 20		1				
147	JM23100159	GEAR		1				
148	JM23100160	RETAINING RING 16		1				
149	JM23100161	OUTPUT SHAFT SCREW M8X12		1				
150	JM23100162	BUSH		1	*			
151	JM23100380	GEAR BOX COMPLETE		1				
C10	JM23100162	BUSH		1				
D10		INC. 150			*			
152	JM23100164	HANDLE LEFT SIDE		1				
153	JM23100165	PROTECTION TUBE		1	*			
153-1	JM23100195	PROTECTION TUBE	<	1				
154	JM23000163	POWER SUPPLY CORD		1				
155	JM23100166	CORD CLAMP		1				
156	JM23100167	SELF TAPPING SCREW M4X16		2				
157	JM23100168	BAFFLE RING		1				
158	JM23000167	ARMADURA P/MLS100		1				
159	JM23100169	CAPACITOR		1				
160	JM23100170	SELF-TAPPING SCREW M5X70		2				
161	JM23100171	TERMINAL POLE		1				
162	JM23100003	STATOR ASSEMBLY		1				
163	JM23100172	ABSORBER RING		1				
164	JM23100173	SWITCH LOCK BRACKET		1				
165	JM23100174	SWITCH HANDLE		1				
166	JM23100175	SWITCH LOCK PLATE		1				
167	JM23100176	SWITCH HANDLE SPRING		1				
168	JM23100177	BRAKE SYSTEM SWITCH KEY		1				
169	JM23100178	BRAKE SYSTEM SWITCH		1				

Modelo LS1017L SIERRA DE INGLETE COMPUESTA

Página 5 / 7

Pieza	Código	Descripción	Info	CTD.	N/O	Opc. 1	Opc. 2	OBS.
170	JM23100179	ELECTRIC SWITCH		1				
171	JM23100180	HANDLE RIGHT		1				
173	JM23100372	MOTOR HOUSE COMPLETE		1				
C10	JM23180068	CAUTION LABEL		1				
C20	JM23180069	CAUTION LABEL		1				
C30	JM23180021	NAME PLATE		1				
C40	JM23100184	CARBON BRUSH HOUSE		2				
C50	JM23100185	H.S.SCREW M5X8		2				
D10		INC. 176,177			*			
174	JM23100182	SCREW CAP		2				
175	JM23100183	CARBON BRUSH		2	*			
175-1	JM23000123	JUEGO DE ESCOBILLA DE CARBON C	O	2	*			
175-2	JM23000123	JUEGO DE ESCOBILLA DE CARBON C	O	1				
176	JM23100184	CARBON BRUSH HOUSE		2	*			
177	JM23100185	H.S.SCREW M5X8		2	*			
178	JM23100186	SOFT STARTER		1	*			
178-1	JM23100192	SOFT STARTER	X	1				
179	JM23100187	CROSS HEAD SCREW M5X35		3				
180	JM23100188	MOTOR REAR COVER		1				
181	JM23100189	CROSS HEAD SCREW M6X70		4				
183	JM23100145	ELASTIC PIN 5X30		2	*			
184	JM23100146	H.S.BOLT M4X10		2				
185	JM23100147	BUFFER		1	*			
186	JM23100148	H.S.BOLT M6X20 WITH GLUE		1				
187	JM23100149	SPRING WASHER 5		2				
188	JM23100150	SEALING RING		1				
189	JM23100151	SPRING WASHER 6		4				
190	JM23100152	WING KNOB,M6X10		1				
191	JM23100153	BLADE BOLT		1				
192	JM23100154	BIG FLAT WASHER 10		1				
193	JM23100190	SPECIAL WASHER 6		4				
194	JM23100016	FLAT WASHER 4		2				
195	JM23100016	FLAT WASHER 4		2				
196	JM23100016	FLAT WASHER 4		1				
197	JM23100016	FLAT WASHER 4		1				
198	JM23100016	FLAT WASHER 4		1				
199	JM23100016	FLAT WASHER 4		2				
200	JM23100016	FLAT WASHER 4		2				
201	JM23100016	FLAT WASHER 4		1				
202	JM23100016	FLAT WASHER 4		2				
203	JM23100016	FLAT WASHER 4		1				
204	JM23100016	FLAT WASHER 4		1				
205	JM23100016	FLAT WASHER 4		2				
206	JM23100016	FLAT WASHER 4		2				
207	JM23100033	CROSS HEAD SCREW M4X12		2				
208	JM23100033	CROSS HEAD SCREW M4X12		2				
209	JM23100033	CROSS HEAD SCREW M4X12		1				
210	JM23100033	CROSS HEAD SCREW M4X12		1				

Modelo LS1017L SIERRA DE INGLETE COMPUESTA

Página 6 / 7

Pieza	Código	Descripción	Info	CTD.	N/O	Opc. 1	Opc. 2	OBS.
211	JM23100033	CROSS HEAD SCREW M4X12		1				
212	JM23100033	CROSS HEAD SCREW M4X12		1				
213	JM23100033	CROSS HEAD SCREW M4X12		1				
214	JM23100033	CROSS HEAD SCREW M4X12		1				
215	JM23100033	CROSS HEAD SCREW M4X12		1				
216	JM23100033	CROSS HEAD SCREW M4X12		6				
217	JM23100033	CROSS HEAD SCREW M4X12		2				
218	JM23100007	FLAT WASHER 5		2				
219	JM23100007	FLAT WASHER 5		2				
220	JM23100007	FLAT WASHER 5		2				
221	JM23100007	FLAT WASHER 5		4				
222	JM23100007	FLAT WASHER 5		2				
223	JM23100041	FLAT WASHER		3				
224	JM23100041	FLAT WASHER		1				
225	JM23100089	CROSS HEAD SCREW M5X12		1				
226	JM23100089	CROSS HEAD SCREW M5X12		2				
227	JM23100089	CROSS HEAD SCREW M5X12		1				
228	JM23100089	CROSS HEAD SCREW M5X12		1				
229	JM23100015	SPRING WASHER 4		2				
230	JM23100015	SPRING WASHER 4		1				
231	JM23100015	SPRING WASHER 4		1				
232	JM23100015	SPRING WASHER 4		2				
233	JM23100015	SPRING WASHER 4		2				
234	JM23100151	SPRING WASHER 6		3				
235	JM23100167	SELF TAPPING SCREW M4X16		3				
236	JM23100167	SELF TAPPING SCREW M4X16		2				
237	JM23100006	CROSS HEAD SCREW M5X20		4				
238	JM23100149	SPRING WASHER 5		2				
239	JM23100149	SPRING WASHER 5		2				
240	JM23100035	ANTI-LOOSEN RING		1				
241	JM23100035	ANTI-LOOSEN RING		2				
242	JM23100019	CROSS HEAD SCREW M4X18		2				
243	JM23100083	LIMITED BRACKET		1				
244	JM23100083	LIMITED BRACKET		1				
245	JM23100084	DUSTPROOF RING		2				
246	JM23100084	DUSTPROOF RING		1				
247	JM23100104	FLAT WASHER 5		3	*			
248	JM23100009	LOCKNUT M10		1	*			
249	JM23100009	LOCKNUT M10		1				
250	JM23100034	HEX BOLT M6X28		2				
251	JM23100069	LASER CORD CLAMP		1				
252	JM23100069	LASER CORD CLAMP		1				
253	JM23100071	THIN FLAT WASHER 6		1				
254	JM23100072	CORD CLAMP		1	*			
254-1	JM23100194	CORD CLAMP	<	1				
255	JM23100073	CORD WRAP BRACKET		1				
256	JM23100081	BUFFER		1	*			
257	JM23100082	BEARING BAFFLE		1				

Modelo LS1017L SIERRA DE INGLETE COMPUESTA

Pieza	Código	Descripción	Info	CTD.	N/O	Opc. 1	Opc. 2	OBS.
258	JM23100098	LINK SLEEVE		1				
259	JM23100124	BLADE FLANGE		1				
260	JM23100390	LASER ASSEMBLY		1				
D10		INC. 64,66,71,72,120,123-131,						
D20		INC. 184,194,199,207						
A01	JM23100500	EXTENSION WING		2				
A02	782230-2	BOX WRENCH 13-3		1	*			
A02-1	JM23100197	BOX WRENCH 13-3	o	1				
A03	JM23000176	SAW BLADE		1				
A04	JM27000328	PLACA TRIANGULAR P/MLT100		1				
A05	JM23100501	DUST BAG ASSEMBLY		1				
A06	JM23100502	WISE ASSEMBLY		1				