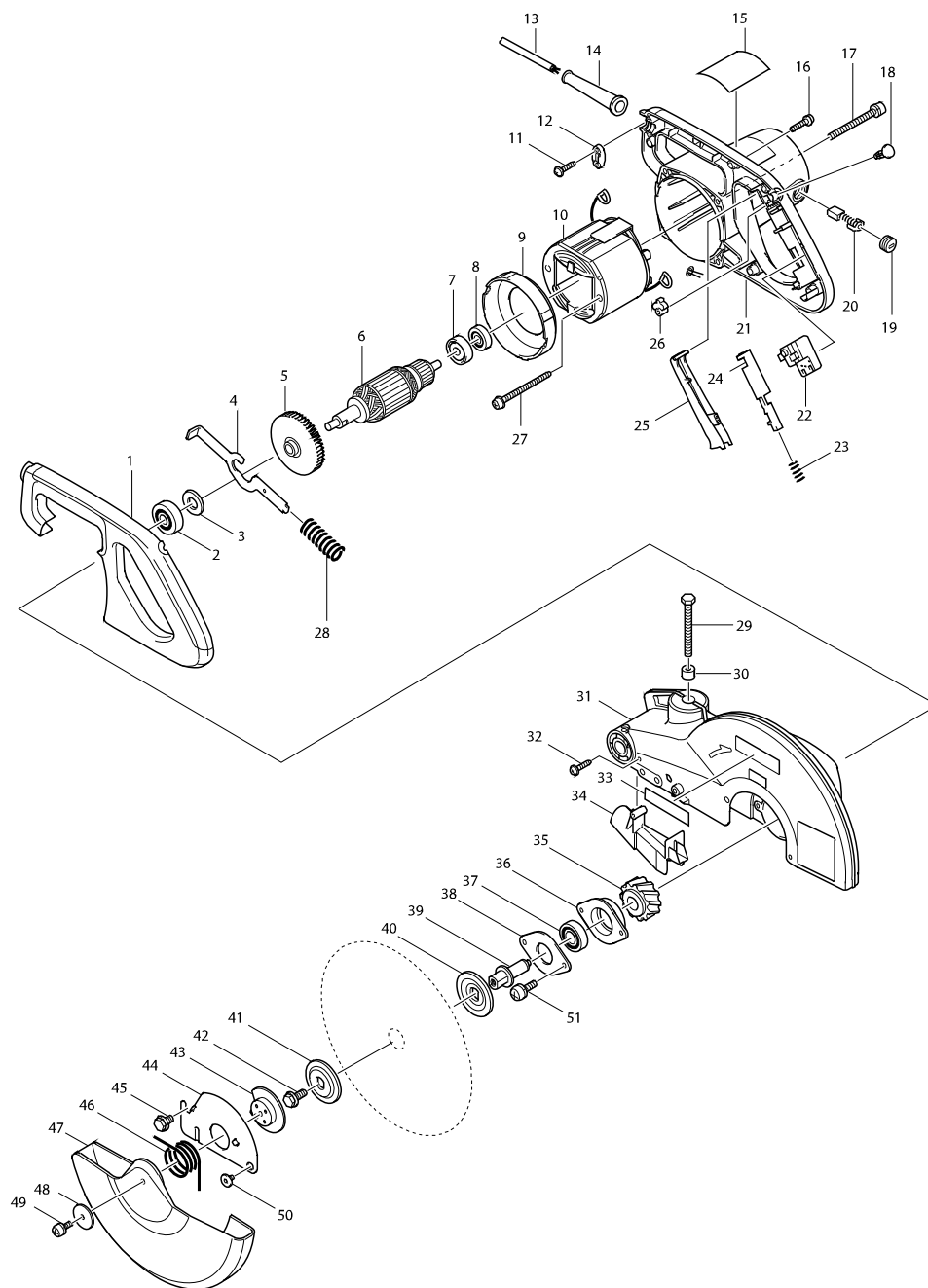
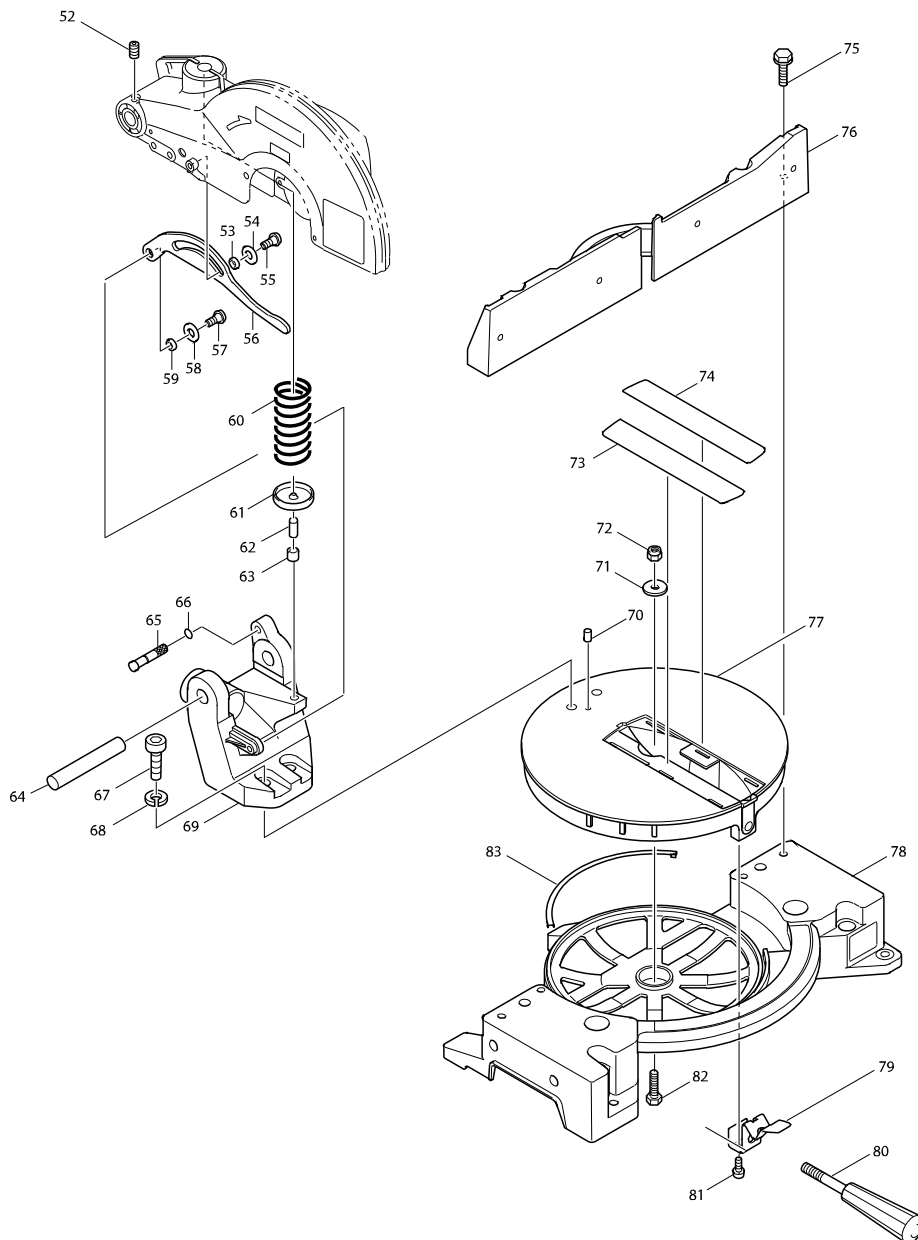


# Modelo LS1030N SIERRA DE INGLETE



# Modelo LS1030N SIERRA DE INGLETE



**Modelo LS1030N SIERRA DE INGLETE**

Pieza	Código	Descripción	Info	CTD.	N/O	Opc. 1	Opc. 2	OBS.
001	416004-6	CUBIERTA DEL MANGO P/LS1030N		1				
002	211206-7	BALERO 6202LLB P/5007NB, 6016 ONT		1				
003A	253853-8	ARANDELA P/LS1040		1	*			
003-1A	267280-3	RETEN 15 P/5007MG	<	1				
003-1B	267280-3	RETEN 15 P/5007MG		1				
004	343641-2	SEGURO DEL DISCO P/LS1220		1				
005	241909-9	VENTILADOR 80 P/LS1030N		1				
006	516716-2	ARMADURA 115V P/LS1040		1				
D10		INC. 2,3,5,7,8						
007	681640-9	ARANDELA P/LS1040		1				
008	211061-7	BALERO 6000LLB P/9005B, 5620D		1				
009	416002-0	SEPARADOR P/LS1040		1				
010	596136-6	CAMPO 115V P/LS1040 ONT. A 526066		1				
C10	654020-2	RESORTE DE TERMINAL P/HM1202C,I		2				
C20	654553-7	CONECTOR P/LS1030		2				
011	265995-6	TORNILLO GUIA 4X18 PHR2400,5740N		2				
012A	687052-4	BRIDA DEL CABLE P/9049, 9069,RD11		1	*			
012-1A	687124-5	STRAIN RELIEF	O	1				
012-1B	687124-5	STRAIN RELIEF		1				
013	664463-0	CABLE DE PODER No.2-14-8 P/9067,90		1				
014	682505-8	CUBRE CABLE 10-90 P/9049,5740NB C		1				
015A	859481-3	NAME PLATE LS1030N		1	*			
015-1A	853791-0	NAME PLATE LS1030N	<	1				
015-1B	853791-0	NAME PLATE LS1030N		1				
016	265995-6	TORNILLO GUIA 4X18 PHR2400,5740N		5				
017	911383-2	TORNILLO M6X60 P/LS1030		4				
018	411478-6	INTERRUPTOR DE BOTON, LS1011		1				
019A	643650-4	TAPA CARBON P/9607BL, 9609B, 2414		2	*			
019-1A	643650-4	TAPA CARBON P/9607BL, 9609B, 2414	O	2				
019-1B	643650-4	TAPA CARBON P/9607BL, 9609B, 2414		2				
020A	181047-4	JUEGO DE CARBONES CB-154 P/5007		1	*			
020-1A	194986-9	JUEGO DE CARBONES CB154 P/LS10	<	1				
020-1B	194986-9	JUEGO DE CARBONES CB154 P/LS10		1				
021D_A	150784-1	MOTOR HOUSING COMPLETE		1	*			
C10	643660-1	PORTA ESCOBILLA P/5007NB, LS1040		2	*			
C20	817880-5	CAUTION LABEL		1	*			
021D1A	152802-1	MOTOR HOUSING COMPLETE	O	1	*			
C10	643660-1	PORTA ESCOBILLA P/5007NB, LS1040		2	*			
C20	817396-0	CAUTION LABEL		1	*			
021D2A	153796-3	CARCAZA DEL MOTOR P/LS1030N	<	1				
C10	643660-1	PORTA ESCOBILLA P/5007NB, LS1040		2	*			
C11	643653-8	PORTA CARBON P/9607BLONT A 6436	O	2				
C20	817396-0	CAUTION LABEL		1				
021D2B	153796-3	CARCAZA DEL MOTOR P/LS1030N		1				
C11	643653-8	PORTA CARBON P/9607BLONT A 6436		2				
C20	817396-0	CAUTION LABEL		1				
022	651923-1	INTERRUPTOR P/LS1013, LS1211		1				
023	231457-6	RESORTE DE COMPRESION 3 P/LS10		1				

**Modelo LS1030N SIERRA DE INGLETE**

Pieza	Código	Descripción	Info	CTD.	N/O	Opc. 1	Opc. 2	OBS.
024	416000-4	SEGURO DE PALANCA P/LS1040		1				
025	415999-0	PALANCA DE INTERRUPTOR P/LS1040		1				
026	414546-4	SEGURO DE MANIJA P/LS1040F		1				
027	266029-8	TORNILLO M5x65 P/TR3020		2				
028	231297-2	RESORTE DE COMPRESION 9 P/LS10		1				
029	251667-9	TORNILLO M8X75 P/LS1030		1				
030	262511-5	MANGUITO DE GOMA 6 P/LS1030N		1				
031C_A	151451-1	GUARDA METALICA P/LS1040F		1	*			
C10	817667-5	CAUTION LABEL		1	*			
C20	817829-5	CAUTION LABEL		1	*			
C30	263005-3	PERNO DE GOMA P/VARIOS ONT)		1	*			
031C1A	152803-9	BLADE CASE COMPLETE	O	1	*			
C10	817405-5	CAUTION LABEL		1	*			
C20	817406-3	CAUTION LABEL		1	*			
C30	263005-3	PERNO DE GOMA P/VARIOS ONT)		1	*			
031C2A	152803-9	BLADE CASE COMPLETE	O	1	*			
C10	817405-5	CAUTION LABEL		1	*			
C20	817406-3	CAUTION LABEL		1	*			
C30	263005-3	PERNO DE GOMA P/VARIOS ONT)		1	*			
031C3A	188327-9	BLADE CASE SET	O	1	*			
C10	817405-5	CAUTION LABEL		1	*			
C20	817406-3	CAUTION LABEL		1	*			
C30	263005-3	PERNO DE GOMA P/VARIOS ONT)		1	*			
D10		INC.33			*			
031C4A	188327-9	BLADE CASE SET	O	1	*			
C10	816847-0	OPERATIONAL INDICATION LABEL	<	1	*			
C20	817406-3	CAUTION LABEL		1	*			
C30	263005-3	PERNO DE GOMA P/VARIOS ONT)		1	*			
D10		INC.33			*			
031C5A	140650-0	BLADE CASE COMPLETE	O	1				
C10	816847-0	OPERATIONAL INDICATION LABEL		1				
C20	891312-0	CAUTION LABEL		1				
C30	263005-3	PERNO DE GOMA P/VARIOS ONT)		1				
031C5B	140650-0	BLADE CASE COMPLETE		1				
C10	816847-0	OPERATIONAL INDICATION LABEL		1				
C20	891312-0	CAUTION LABEL		1				
C30	263005-3	PERNO DE GOMA P/VARIOS ONT)		1				
032	265995-6	TORNILLO GUIA 4X18 PHR2400,5740N		1				
033A	819064-1	MAKITA MARK		1	*			
033-1A	819214-8	MAKITA LOGO LABEL	X	1	*			
034A	416007-0	CUBIERTA GUIA P/LS1030N		1	*			
034-1A	453695-2	GUIDE COVER	<	1				
034-1B	453695-2	GUIDE COVER		1				
035	226465-0	ENGRANE HELICOIDAL P/LS1040F		1				
036	316821-3	CAJA DE BALEROS P/LS1040		1				
037	211256-2	BALERO 6203LLB P/GA7001L		1				
038	285685-5	SUJETADOR P/LS1040F		1				
039	322865-3	EJE P/LS1040		1				

**Modelo LS1030N SIERRA DE INGLETE**

Página 3 / 4

Pieza	Código	Descripción	Info	CTD.	N/O	Opc. 1	Opc. 2	OBS.
040	224333-1	FLANGE 53		1				
041	224333-1	FLANGE 53		1				
042	265355-2	TORNILLO HEXAGONAL LS1030		1				
043	343639-9	BASE CENTRAL P/LS1013		1				
044	344380-7	CUBIERTA CENTRAL P/LS1040		1				
045	265324-3	TORNILLO P/LS1030		1				
046	231593-8	RESORTE DE TENSION P/LS1040F		1				
047	416003-8	CUBIERTA P/LS1040F		1				
048	267136-0	ARANDELA P/9046		1				
049A	911213-7	TORNILLO P/LS1040		1	*			
049-1A	922211-6	HEX. SOCKET HEAD BOLT M5X12	<	1				
049-1B	922211-6	HEX. SOCKET HEAD BOLT M5X12		1				
050	265985-9	TORNILLO P/LS1040F		1				
051	911223-4	TORNILLO CRM 5X16 (SWPW)		2				
052	251961-9	PRISIONERO P/MLC140		1				
053	257162-7	EMPAQUE P/LS1040		1				
054	253823-7	ARANDELA P/JS1600		1				
055	265984-1	TORNILLO P/LS1030N, LS1040F,		1				
056	344377-6	GUIA DE LA GUARDA P/LS1040		1				
057	265984-1	TORNILLO P/LS1030N, LS1040F,		1				
058	253823-7	ARANDELA P/JS1600		1				
059	257162-7	EMPAQUE P/LS1040		1				
060	233152-4	RESORTE P/LS1040		1				
061-1	344464-1	SOPORTE DE RESORTE P/LS1040		1				
062-1	256280-8	PERNO 8 (CON MANGO INCLUIDO)ON		1				
063A	257681-3	MANGUITO 8 P/LS1030N ONT JGO.		1	*			
064	256836-7	RODILLO 16 P/LS1030N		1				
065	322317-4	TOPE GUIA P/LS1013		1				
066	213021-5	EMPAQUE DE GOMA "O" 5 P/LS0810		1				
067	922557-0	TORNILLO M10X35 P/HM1301		2				
068	942251-8	ARANDELA DE PRESION 10 P/HM1303		2				
069A	317027-6	BRAZO P/LS1030N		1	*			
069-1A	317027-6	BRAZO P/LS1030N	O	1				
069-1B	317027-6	BRAZO P/LS1030N		1				
070	256040-8	PERNO 5 P/6906		1				
071A	253852-0	ARANDELA P/LS1040		1	*			
071-1A	253762-1	ARANDELA PLANA P/LH1040F	O	1				
071-1B	253762-1	ARANDELA PLANA P/LH1040F		1				
072	252105-4	TUERCA DE SEGURIDAD ONT A 93140		1				
073A_A	416989-6	TARJETA P/LS1030N, LS1040 DES A 4		1	*			
073A1A	416001-2	TARJETA P/LS1040 ANTES 4169896	O	1				
073A1B	416001-2	TARJETA P/LS1040 ANTES 4169896		1				
074A_A	416989-6	TARJETA P/LS1030N, LS1040 DES A 4		1	*			
074A1A	416001-2	TARJETA P/LS1040 ANTES 4169896	O	1				
074A1B	416001-2	TARJETA P/LS1040 ANTES 4169896		1				
075	921461-0	TORNILLO HEX. M8X40 P/LS1030N		4				
076A	317029-2	GUIA P/LS1030N		1	*			
076-1A	317029-2	GUIA P/LS1030N	O	1				

