

**INSTRUCTION MANUAL
MANUEL D'INSTRUCTION
MANUAL DE INSTRUCCIONES**

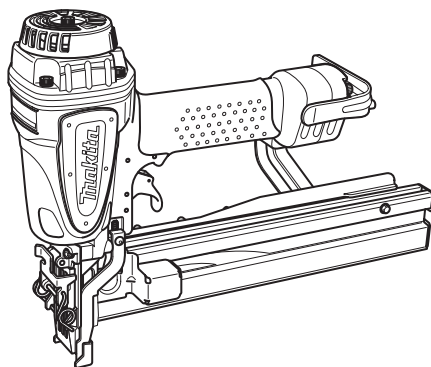


**Medium Crown Stapler
Agrafeuse à agrafes moyennes
Grapadora de corona mediana**

AT1150A

**Wide Crown Stapler
Agrafeuse à agrafes larges
Grapadora de corona ancha**

AT2550A



IMPORTANT: Read Before Using.

IMPORTANT : Lire avant usage.

IMPORTANTE: Lea antes de usar.

SPECIFICATIONS

Model	AT1150A	AT2550A
Air pressure	0.44 - 0.83 MPa (65 - 120 PSIG)	
Applicable staples	25 mm - 50 mm (1" - 2")	
Staple capacity	140 pcs.	
Min. hose diameter	6.5 mm (1/4")	
Dimensions (L x W x H)	370 mm X 87 mm X 290 mm (14-1/2" X 3-7/16" X 11-3/8")	370 mm X 76 mm X 260 mm (14-1/2" X 3" X 10-1/4")
Net weight	2.3 kg (5.1 lbs)	2.3 kg (5.1 lbs)

Important safety instructions

For personal safety and proper operation and maintenance of the tool, read this instruction manual carefully before using the tool.

WARNING: WHEN USING THIS TOOL, BASIC SAFETY PRECAUTIONS SHOULD ALWAYS BE FOLLOWED TO REDUCE THE RISK OF PERSONAL INJURY, INCLUDING THE FOLLOWING:

READ ALL INSTRUCTIONS.

Personal Protective Equipment

1. Always wear safety glasses to avoid eye injury from dust or fasteners. The safety glasses should conform with the requirements of ANSI Z87.1.

WARNING: It is an employer's responsibility to enforce the use of safety eye protection equipment by the tool operators and by other persons in the immediate working area.

2. Wear hearing protection to protect your ears against exhaust noise and head protection. Also wear light but not loose clothing. Sleeves should be buttoned or rolled up. No necktie should be worn.

Flammable Atmospheres

1. Do not operate tool in explosive atmospheres, such as in the presence of flammable liquids, gases or combustible dust.

Tool modification

1. The tool should not be modified unless authorized in the tool manual or approved in writing by the tool manufacturer.

Tool maintenance

1. Refer to the tool maintenance instructions for detailed information on the proper maintenance of a tool.

Recommended fasteners and accessories

1. Use only fasteners made or recommended by the tool manufacturer, or fasteners that perform equivalently to those recommended by the manufacturer.
2. Use only accessories made or recommended by the tool manufacturer, or accessories that perform equivalently to those recommended by the manufacturer.

Inspect tool before operating to:

1. Use only power source specified in the instruction manual.
Operate the tool within the specified air pressure on the tool label for safety and longer tool life. Do not exceed the recommended max. operating pressure. The tool should not be connected to a source whose pressure potentially exceeds 1.37 MPa (200 PSIG).
2. Never use the tool with other than compressed air. If bottled gas (carbon dioxide, oxygen, nitrogen, hydrogen, air, etc.) or combustible gas (hydrogen, propane, acetylene, etc.) is used as a power source for this tool, the tool will explode and cause serious injury.
3. Always check the tool for its overall condition and loose screws before operation. Tighten as required.
4. Make sure all safety systems are in working order before operation. The tool must not operate if only the trigger is pulled or if only the contact element is pressed against the wood. It must work only when both actions are performed. Test for possible faulty operation with fasteners unloaded and the contact element in fully pulled position.
5. Always check contact element as instructed in this manual. Fasteners may be driven accidentally if the safety mechanism is not working correctly.

Operating controls

1. Do not use a tool with missing or damaged safety warning label(s.)
2. A tool that is not in proper working order must not be used. Tags and physical segregation shall be used for control.
3. Do not remove, tamper with, or otherwise cause tool operating controls to become inoperable.
4. Do not operate tool if any portion of the tool operating controls is inoperable, disconnected, altered, or not working properly.

Tool handling

1. Only persons who have read and understand the tool operating/safety instructions should operate the tool.
2. Always assume that tool contains fasteners.
3. Do not point tool toward yourself or anyone whether it contains fasteners or not.

4. Keep bystanders and children away while operating tool.
5. Do not actuate tool unless tool is placed firmly against the workpiece.
6. Respect tool as a working implement.
7. Do not engage in horseplay.
8. Stay alert, focus on your work and use common sense when working with tools.
9. Do not use tool while tired, after having consumed drugs or alcohol, or while under the influence of medication.
10. Do not overreach. Keep proper footing and balance at all times.
11. Do not hold or carry tool with a finger on the trigger.
12. Drive fasteners into proper work surface only.
13. Do not drive fasteners into other fasteners.
14. After driving a fastener, tool may spring back ("recoil") causing it to move away from the work surface. To reduce risk of injury always manage recoil by:
 - a) always maintaining control of tool.
 - b) allowing recoil to move tool away from work surface.
 - c) not resisting recoil such that tool will be forced back into the work surface. In "Contact Actuation Mode," if workpiece contact is allowed to re-contact work surface before the trigger is released, an unintended discharge of a fastener will occur.
 - d) keeping face and body parts away from tool.
15. When working close to an edge of a workpiece or at steep angles use care to minimize chipping, splitting or splintering, or free flight or ricochet of fasteners, which may cause injury.
16. Keep hands and body away from fastener discharge area of tool.
17. Do not load tool with fasteners when any one of the operating controls is activated.
18. Do not operate tool with any power source other than that specified in tool operating/ safety instructions.
19. Do not operate tool with any operating pressure other than that specified in tool operating/ safety instructions.
20. Always select an actuation system that is appropriate to the fastener application and the training of the operator.
21. Use extra caution when driving fasteners into existing walls or other blind areas to prevent contact with hidden objects or persons on other side (e.g., wires, pipes.)
22. Do not lift, pull or lower tool by the hose.

Disconnecting tool

Disconnect tool from the power source when:

1. Not in use;
2. Performing any maintenance or repairs;
3. Clearing a jam;
4. Elevating, lowering or otherwise moving the tool to a new location;
5. Tool is outside of the operator's supervision or control; or
6. Removing fasteners from the magazine.

Additional safety instructions

1. The area should be sufficiently illuminated to assure safe operations. The area should be clear and litter-free.
2. There may be local regulations concerning noise which must be complied with by keeping noise levels within prescribed limits. In certain cases, shutters should be used to contain noise.
3. Check walls, ceilings, floors, roofing and the like carefully to avoid possible electrical shock, gas leakage, explosions, etc. caused by striking live wires, conduits or gas pipes.
4. On rooftops and other high locations, drive fasteners as you move forward. It is easy to lose your footing if you drive fasteners while inching backward. When driving against perpendicular surface, drive fasteners from the top to the bottom. You can perform the operations with less fatigue by doing so.
5. Do not leave the loaded tool or the air compressor under pressure for a long time out in the sun. Be sure that dust, sand, chips and foreign matter will not enter the tool in the place where you leave it setting.
6. Perform cleaning and maintenance right after finishing the job. Keep the tool in tip-top condition. Lubricate moving parts to prevent rusting and minimize friction-related wear. Wipe off all dust from the parts.
7. Do not disconnect the air hose with a finger on the trigger. An unexpected driving will cause serious injury when the air hose is connected.
8. When you drop or strike the tool, check the tool damage or crack and make sure that safety systems are in working order before operation. As there is high pressure inside the tool, failure to do so will cause serious injury.
9. Ask Makita's Authorized service centers for periodical inspection of the tool.
10. To maintain product SAFETY and RELIABILITY, maintenance and repairs should be performed by Makita Authorized or Factory Service Centers, always using Makita replacement parts.

SAVE THESE INSTRUCTIONS.

⚠WARNING: MISUSE or failure to follow the safety rules stated in this instruction manual may cause serious personal injury.

Symbols

The followings show the symbols used for tool.



Read and understand tool labels and manual. Failure to follow warnings could result in death or serious injury.



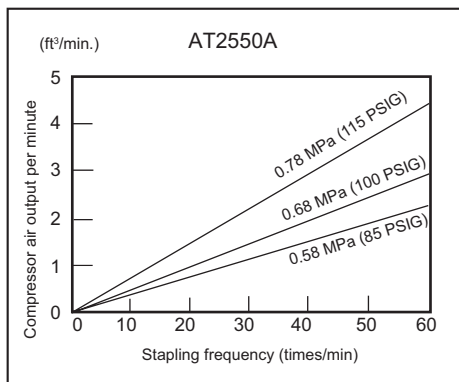
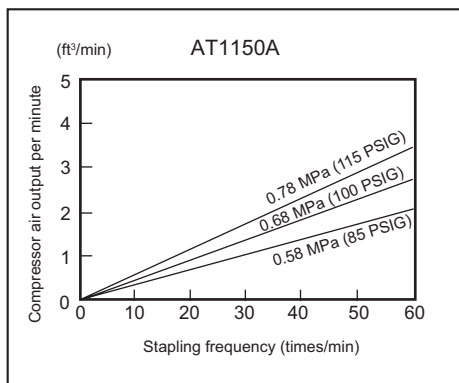
Operators and others in work area must wear safety glasses with side shields.



Keep fingers away from trigger when not driving fasteners to avoid accidental discharge.

INSTALLATION

Selecting compressor



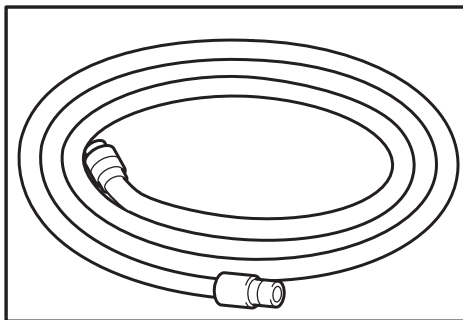
The air compressor must comply with the requirements of ANSI B19.3.

Select a compressor that has ample pressure and air output to assure cost-efficient operation. The graph shows the relation between stapling frequency, applicable pressure and compressor air output.

Thus, for example, if stapling takes place at a rate of approximately 60 times per minute at a compression of 0.68 MPa (100 PSIG), a compressor with an air output over 3 ft³/minute is required.

Pressure regulators must be used to limit air pressure to the rated pressure of the tool where air supply pressure exceeds the tool's rated pressure. Failure to do so may result in serious injury to tool operator or persons in the vicinity.

Selecting air hose

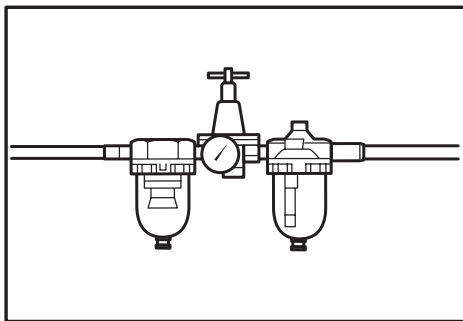


Use an air hose as large and as short as possible to assure continuous, efficient stapling operation. With an air pressure of 0.49 MPa (70 PSIG), an air hose with an internal diameter of over 8.5 mm (5/16") and a length of less than 20 m (6.6 ft.) is recommended when the interval between each stapling is 0.5 seconds. Air supply hoses shall have a minimum working pressure rating of 1.03 MPa (150 PSIG) or 150 percent of the maximum pressure produced in the system whichever is higher.

CAUTION:

- Low air output of the compressor, or a long or smaller diameter air hose in relation to the stapling frequency may cause a decrease in the driving capability of the tool.

Lubrication



To insure maximum performance, install an air set (oiler, regulator, air filter) as close as possible to the tool.

Adjust the oiler so that one drop of oil will be provided for every 50 staples.

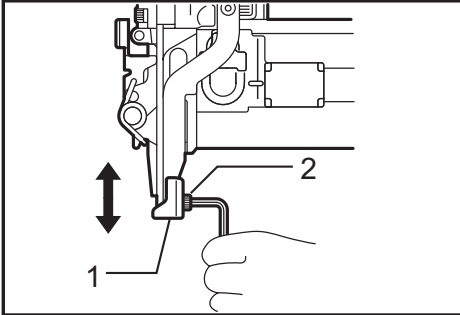
When an air set is not used, oil the tool with pneumatic tool oil by placing 2 (two) or 3 (three) drops into the air fitting. This should be done before and after use. For proper lubrication, the tool must be fired a couple of times after pneumatic tool oil is introduced.

FUNCTIONAL DESCRIPTION

⚠ CAUTION:

- Always disconnect the hose before adjusting or checking function on the tool.

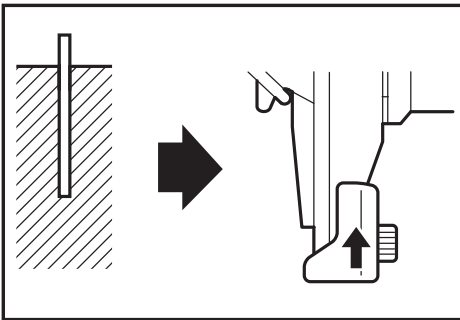
Adjusting depth of stapling



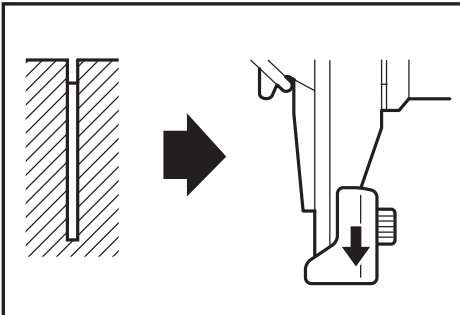
► 1. Depth adjusting plate 2. Hex wrench

To adjust the depth of stapling, loosen the bolt by using the hex wrench provided with the tool and then slide the depth adjusting plate up or down.

If staples cannot be driven deep enough, slide the adjusting plate in the direction of arrow as shown in the figure.



If the staples are driven too deep, slide the adjusting plate in the direction of arrow as shown in the figure.



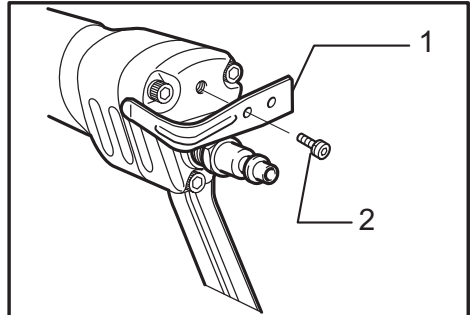
The depth can be adjusted 5 mm to the maximum. Tighten the bolt securely at the right position after adjusting.

ASSEMBLY

⚠ CAUTION:

- Always disconnect the hose before carrying out any work on the tool.

Hook



► 1. Hook 2. Screw

⚠ CAUTION:

- Always disconnect the hose from the tool.
- Never hook the tool at high location or on potentially unstable surface.

The hook is convenient for hanging the tool temporarily. Secure the hook on the tool with the provided screw using either of two holes in the hook as shown in the figure.

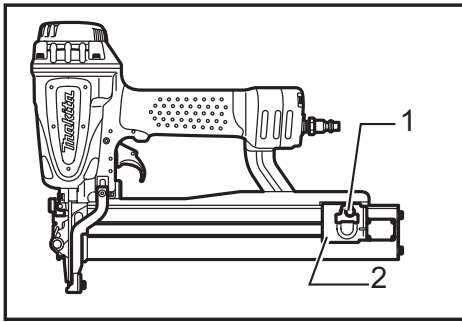
Loading stapler

⚠ CAUTION:

- Always disconnect the hose before loading the tool.
- Do not use deformed staples or staple strip. Failure to do so causes poor staple feeding.
- Always use staples specified in this instruction manual. Failure to do so causes poor staple feeding.
- Always return the pusher slowly and gently while holding it with a hand.

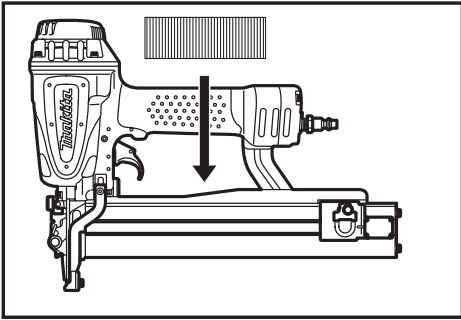
Select staples suitable for your work. Make sure that the hose is disconnected from the tool.

1. Pull the pusher to the rear of magazine and hook the groove in the pusher on the lock pin.

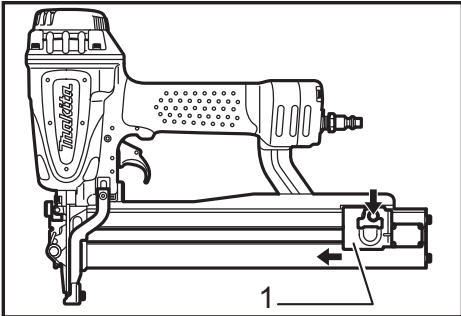


► 1. Lock pin 2. Pusher

2. Insert strip of staples into the magazine. Two strips of staples can be loaded.

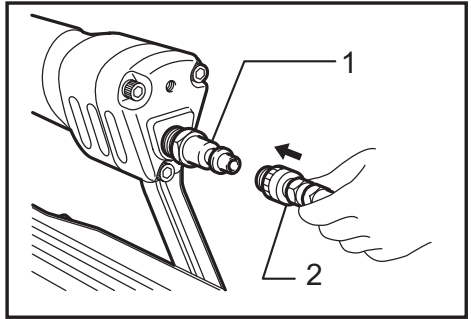


3. Depress the lock pin lightly and pull the pusher to unhook it. With the lock pin depressed, return the pusher slowly and gently to the original position. Keep depressing the pusher until it passes through.



► 1. Pusher

Connecting air hose



► 1. Air fitting 2. Air socket

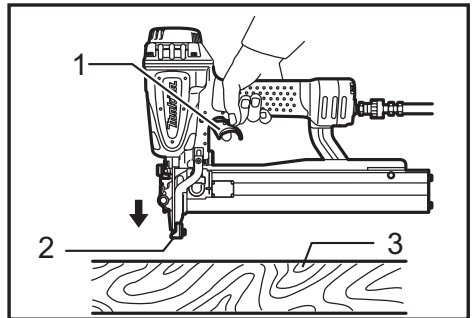
Slip the air socket of the air hose onto the air fitting on the stapler. Be sure that the air socket locks firmly into position when installed onto the air fitting. A hose coupling must be installed on or near the tool in such a way that the pressure reservoir will discharge at the time the air supply coupling is disconnected.

OPERATION

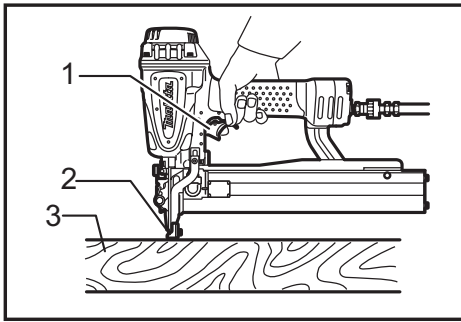
⚠ CAUTION:

- Make sure all safety systems are in working order before operation.

1. Pull the trigger first and then place the contact element against the workpiece.



► 1. Trigger 2. Contact element 3. Workpiece

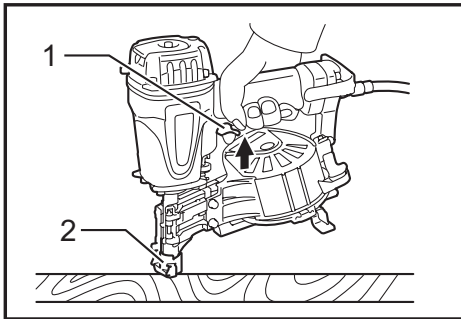


► 1. Trigger 2. Contact element 3. Workpiece

- To drive a staple, you may place the contact element against the workpiece and pull the trigger, or No. 1 method is for continuous stapling. No. 2 method is for intermittent stapling, when you wish to drive a staple carefully and very accurately.

For sequential trip trigger (accessory)

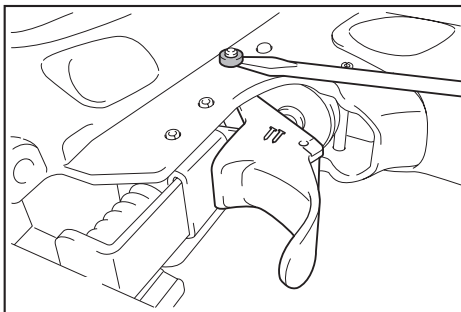
To drive a staple you may place the contact element against the workpiece and pull the trigger.



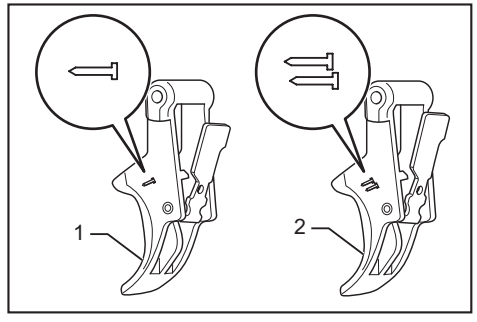
► 1. Trigger 2. Contact arm

Setting the sequential trip trigger

- To remove trigger, remove retainer and pull out pin.

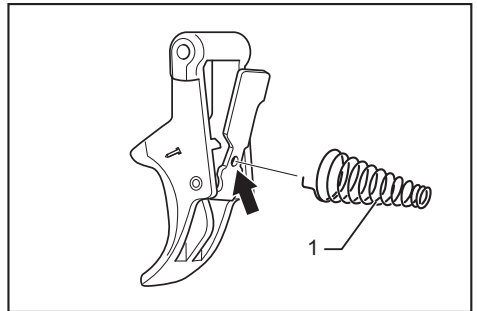


- Difference between sequential trip trigger and continuous shot trigger is shown in the figure below.



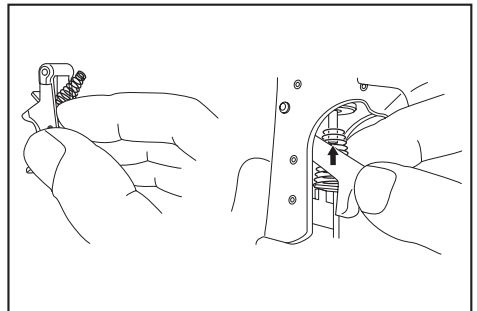
► 1. Sequential trip trigger (SINGLE SHOT PART)
2. Continuous shot trigger

- Insert the bigger hook of the conical into a hole into the idler.



► 1. Conical

- To install the sequential trip trigger, hold the trigger with your fingers and pass the top of the conical through the trigger valve stem as shown in the figures.



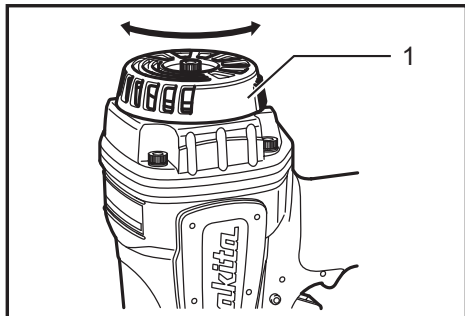
- Place the pin that has been removed in No. 1 above and lock it with the retainer.

⚠ CAUTION:

- WITH THE TRIGGER HELD IN A HALF-PULLED POSITION, an unexpected stapling could occur, if contact element is allowed to re-contact against the workpiece or the other surface under the influence of recoil. In order to avoid this unexpected stapling, perform as follows;

- A. Do not place the contact element against the workpiece with excessive force.
 B. Pull the trigger fully and hold it on for 1-2 seconds after stapling.

Direction of exhaust air



► 1. Exhaust cover

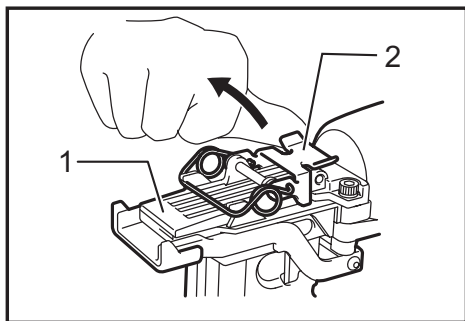
The direction of exhaust air can be changed 360 degrees of angle by turning the exhaust cover with a hand.

Removing jammed staples

⚠ WARNING:

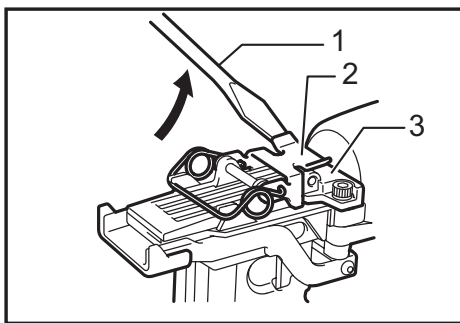
- Always disconnect the hose before removing staplers.

Remove the staples from the magazine. Lift up the latch on the top of driver guide by hand.



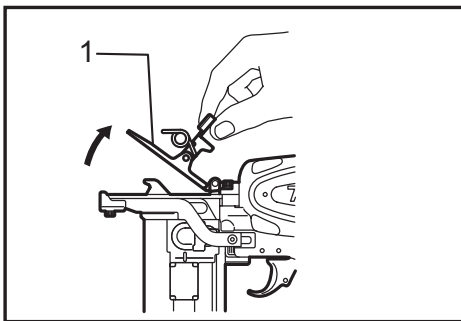
► 1. Driver guide 2. Latch

If the latch cannot be lifted up by hand, insert a slotted bit screwdriver in the gap between the latch and the door and force it up.



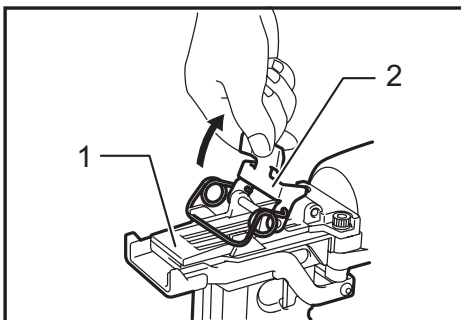
► 1. Slotted bit screwdriver 2. Latch 3. Door

Open the door and take out staples.



► 1. Door

Place the latch spring on two hooks of the driver guide and return it to its original position by pressing it.



► 1. Driver guide 2. Latch

⚠ CAUTION:

- If the tip of staple driver has worn, staple jamming and shallow driving will tend to occur. When this occurs, have it repaired by Makita Authorized or Factory Service Centers.

MAINTENANCE

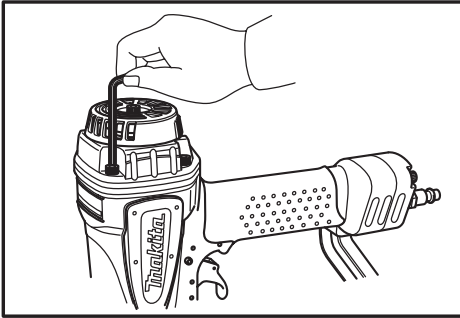
⚠ CAUTION:

- Always disconnect the air hose from the tool before attempting to perform inspection or maintenance.

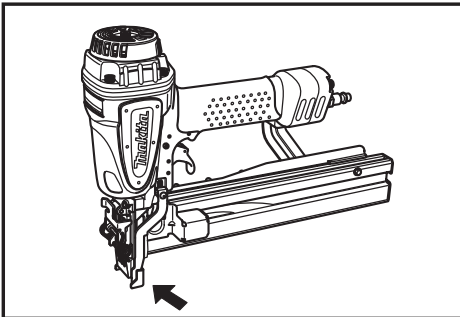
NOTICE: Never use gasoline, benzine, thinner, alcohol or the like. Discoloration, deformation or cracks may result.

Maintenance of stapler

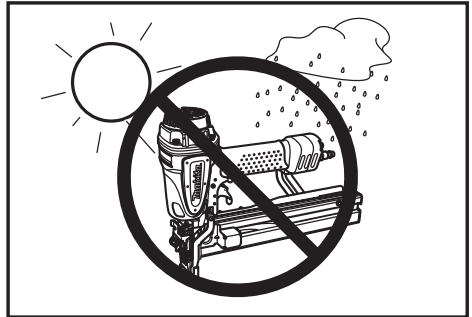
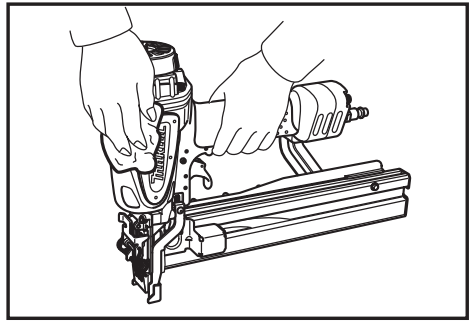
Always check the tool for its overall condition and loose screws before operation. Tighten as required.



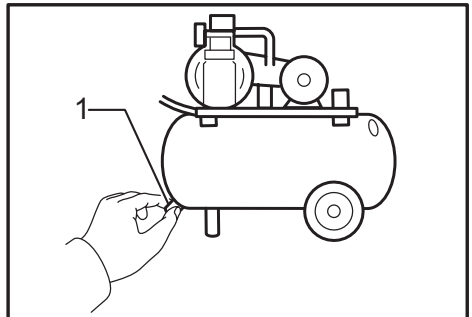
With tool disconnected, make daily inspection to assure free movement of the contact element and trigger. Do not use tool if the contact element or trigger sticks or binds.



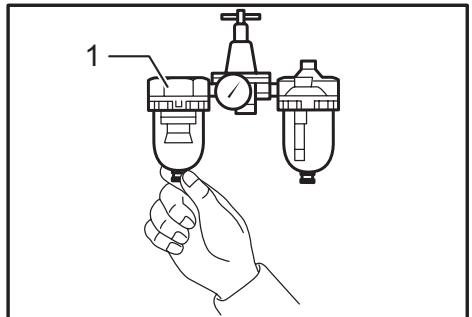
When the tool is not to be used for an extended period of time, lubricate the tool using pneumatic tool oil and store the tool in a safe place. Avoid exposure to direct sunlight and/or humid or hot environment.



Maintenance of compressor, air set and air hose



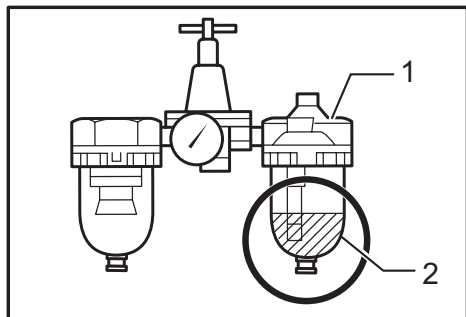
► 1. Drain cock



► 1. Air filter

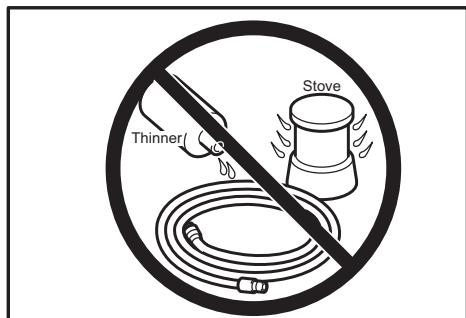
After operation, always drain the compressor tank and the air filter. If moisture is allowed to enter the tool, it may result in poor performance and possible tool failure.

Check regularly to see if there is sufficient pneumatic oil in the oiler of the air set. Failure to maintain sufficient lubrication will cause O-rings to wear quickly.



► 1. Oiler 2. Pneumatic oil

Keep the air hose away from heat (over 60°C, over 140°F), away from chemicals (thinner, strong acids or alkalis). Also, route the hose away from obstacles which it may become dangerously caught on during operation. Hoses must also be directed away from sharp edges and areas which may lead to damage or abrasion to the hose.



To maintain product SAFETY and RELIABILITY, repairs, any other maintenance or adjustment should be performed by Makita Authorized or Factory Service Centers, always using Makita replacement parts.

OPTIONAL ACCESSORIES

▲ CAUTION:

- These accessories or attachments are recommended for use with your Makita tool specified in this manual. The use of any other accessories or attachments might present a risk of injury to persons. Only use accessory or attachment for its stated purpose.

If you need any assistance for more details regarding these accessories, ask your local Makita Service Center.

- Staples
- Air hoses
- Safety goggles
- Sequential trip trigger

NOTE: Some items in the list may be included in the tool package as standard accessories. They may differ from country to country.

MAKITA LIMITED ONE YEAR WARRANTY

Warranty Policy

Every Makita tool is thoroughly inspected and tested before leaving the factory. It is warranted to be free of defects from workmanship and materials for the period of ONE YEAR from the date of original purchase.

Should any trouble develop during this one year period, return the COMPLETE tool, freight prepaid, to one of Makita's Factory or Authorized Service Centers. If inspection shows the trouble is caused by defective workmanship or material, Makita will repair (or at our option, replace) without charge.

This Warranty does not apply where:

- repairs have been made or attempted by others:
- repairs are required because of normal wear and tear:
- the tool has been abused, misused or improperly maintained:
- alterations have been made to the tool.

IN NO EVENT SHALL MAKITA BE LIABLE FOR ANY INDIRECT, INCIDENTAL OR CONSEQUENTIAL DAMAGES FROM THE SALE OR USE OF THE PRODUCT. THIS DISCLAIMER APPLIES BOTH DURING AND AFTER THE TERM OF THIS WARRANTY.

MAKITA DISCLAIMS LIABILITY FOR ANY IMPLIED WARRANTIES, INCLUDING IMPLIED WARRANTIES OF "MERCHANTABILITY" AND "FITNESS FOR A SPECIFIC PURPOSE," AFTER THE ONE YEAR TERM OF THIS WARRANTY.

This Warranty gives you specific legal rights, and you may also have other rights which vary from state to state. Some states do not allow the exclusion or limitation of incidental or consequential damages, so the above limitation or exclusion may not apply to you. Some states do not allow limitation on how long an implied warranty lasts, so the above limitation may not apply to you.

SPÉCIFICATIONS

Modèle	AT1150A	AT2550A
Pression d'air	0,44 - 0,83 MPa (65 - 120 PSIG)	
Agrafes utilisables	25 mm - 50 mm (1" - 2")	
Capacité d'agrafage	140 agrafes.	
Diamètre min. du tuyau	6,5 mm (1/4")	
Dimensions (L x P x H)	370 mm X 87 mm X 290 mm (14-1/2" X 3-7/16" X 11-3/8")	370 mm X 76 mm X 260 mm (14-1/2" X 3" X 10-1/4")
Poids net	2,3 kg (5,1 lbs)	2,3 kg (5,1 lbs)

Consignes de sécurité importantes

Par mesure de sécurité personnelle et pour assurer une utilisation et un entretien adéquats, veuillez lire attentivement ce manuel d'instructions avant d'utiliser l'outil.

MISE EN GARDE : PAR MESURE DE SÉCURITÉ, DES PRÉCAUTIONS DE BASE DOIVENT ÊTRE PRISES LORS DE L'UTILISATION DE CET OUTIL, AFIN DE RÉDUIRE LES RISQUES DE BLESSURE. CES PRÉCAUTIONS COMPRENNENT LES SUIVANTES :

LISEZ TOUTES LES INSTRUCTIONS.

Équipement de protection personnelle

1. Portez toujours des lunettes de sécurité pour éviter les blessures aux yeux au contact de la poussière ou des fixations. Les lunettes de sécurité doivent répondre aux exigences de la norme ANSI Z87.1.

MISE EN GARDE : L'employeur a la responsabilité d'imposer le port d'un dispositif de protection des yeux aux utilisateurs des outils et à toute personne présente dans la zone de travail.

2. Portez une protection d'oreilles pour les protéger contre le bruit d'échappement, et portez un casque de sécurité. Les vêtements portés doivent être légers et ne doivent pas être amples. Veuillez boutonner ou rouler vos manches. Ne portez pas de cravate.

Atmosphères inflammables

1. N'utilisez pas l'outil dans les atmosphères explosives, par exemple en présence de liquides inflammables, de gaz ou de poussières combustibles.

Modification de l'outil

1. L'outil ne doit être modifié que si cela est autorisé dans le manuel de l'outil ou approuvé par écrit par le fabricant de l'outil.

Entretien de l'outil

1. Reportez-vous aux instructions d'entretien de l'outil pour des informations détaillées sur l'entretien adéquat d'un outil.

Fixations et accessoires recommandés

1. Utilisez exclusivement les fixations fabriquées ou recommandées par le fabricant de l'outil, ou des fixations qui offrent un rendement équivalent à celles recommandées par le fabricant.
2. Utilisez exclusivement les accessoires fabriqués ou recommandés par le fabricant de l'outil, ou des accessoires qui offrent un rendement équivalent à ceux recommandés par le fabricant.

Inspectez l'outil avant de l'utiliser :

1. Utilisez uniquement la source d'alimentation spécifiée dans le manuel d'instructions. Utilisez l'outil sans dépasser la pression d'air spécifiée sur l'étiquette de l'outil, pour votre sécurité et pour prolonger la durée de service de l'outil. Ne dépassez pas la pression d'utilisation max. recommandée. L'outil ne doit pas être raccordé à une source dont la pression est susceptible de dépasser 1,37 MPa (200 PSIG).
2. Cet outil doit être exclusivement utilisé avec de l'air comprimé. L'utilisation d'une bouteille de gaz (dioxyde de carbone, oxygène, nitrogène, hydrogène, air, etc.) ou de gaz combustible (hydrogène, propane, acétylène, etc.) comme source d'alimentation de cet outil entraînera une explosion et risque de causer une blessure grave.
3. Avant d'utiliser l'outil, assurez-vous qu'il est en bon état et qu'aucune de ses vis n'est desserrée. Le cas échéant, serrez les vis.
4. Assurez-vous que tous les dispositifs de sécurité sont en état de fonctionner avant d'utiliser l'outil. Il ne faut pas que l'outil s'active lorsque vous appuyez uniquement sur la gâchette ou appuyez simplement l'élément de contact contre le bois. Il ne doit s'activer que lorsque ces deux actions sont exécutées. Retirez les fixations de l'outil et tirez complètement l'élément de contact pour vérifier l'absence de tout vice de fonctionnement.
5. Vérifiez toujours l'élément de contact, tel qu'indiqué dans ce manuel. Des fixations risquent d'être projetées par accident si le mécanisme de sécurité ne fonctionne pas correctement.

Commandes

1. N'utilisez pas un outil dont des étiquettes de mise en garde sont manquantes et abîmées.
2. Un outil qui n'est pas en bon état de marche ne doit pas être utilisé. Des balises et la séparation matérielle seront utilisées pour la commande.
3. Ne retirez pas, ne modifiez pas et ne rendez d'aucune façon les commandes inutilisables.
4. N'utilisez pas l'outil si toute partie des commandes de l'outil est inutilisable, déconnectée, altérée ou défectueuse.

Manipulation de l'outil

1. L'outil ne doit être utilisé que par des personnes qui ont lu et compris les instructions d'utilisation et consignes de sécurité.
2. Supposez toujours que l'outil contient des fixations.
3. Ne pointez pas l'outil vers vous-même ou toute autre personne, peu importe qu'il contienne ou non des fixations.
4. Ne laissez pas approcher les curieux et les enfants pendant que vous utilisez l'outil.
5. N'activez l'outil que s'il est fermement placé contre la pièce à travailler.
6. Respectez l'outil en tant qu'instrument de travail.
7. Évitez tout chahut.
8. Restez alerte, attentif à votre travail et faites preuve de bon sens lorsque vous utilisez des outils.
9. N'utilisez pas l'outil si vous êtes fatigué, avez consommé une drogue ou de l'alcool, ou êtes sous l'effet de médicaments.
10. Ne vous étirez pas trop. Assurez-vous d'une bonne prise au sol et d'un bon équilibre en tout temps.
11. Évitez de tenir ou de transporter l'outil avec un doigt sur la gâchette.
12. Ne posez les fixations que sur une surface à travailler adéquate.
13. Ne posez pas de fixations dans d'autres fixations.
14. Après la pose d'une fixation, il se peut que l'effet de ressort (« recul ») de l'outil l'éloigne de la surface à travailler. Pour réduire les risques de blessure, contrôlez toujours le recul en :
 - a) gardant constamment la maîtrise de l'outil;
 - b) laissant le recul éloigner l'outil de la surface à travailler;
 - c) ne résistant pas au recul, afin de ne pas forcer le retour de l'outil sur la surface à travailler. En « Mode de commande par contact », une fixation sera libérée involontairement si vous laissez l'outil retoucher la surface à travailler avant la libération de la gâchette.
 - d) gardant le visage et autres parties du corps à l'écart de l'outil.
15. Lorsque vous travaillez près du bord d'une pièce à travailler ou sur des angles prononcés, faites-le prudemment pour réduire les risques d'écaillage, de fendillement ou d'éclatement, ou pour éviter que les fixations ne s'envolent librement ou ricochent, ce qui peut causer des blessures.

16. Gardez les mains et le corps à l'écart de la zone de libération des fixations.
17. Ne mettez pas de fixations dans l'outil pendant que toute commande est activée.
18. Ne faites fonctionner l'outil avec aucune autre source d'alimentation que celle spécifiée dans les instructions d'utilisation et consignes de sécurité de l'outil.
19. Ne faites fonctionner l'outil avec aucune autre pression d'utilisation que celle spécifiée dans les instructions d'utilisation et consignes de sécurité de l'outil.
20. Sélectionnez toujours un système de commande qui convient à l'application de fixation et à la formation reçue par l'utilisateur.
21. Soyez tout particulièrement prudent lorsque vous posez des fixations dans des cloisons existantes ou tout autre matériau dont l'arrière n'est pas visible, pour éviter le contact avec des objets dissimulés (p. ex., des câbles ou tuyaux) ou avec des personnes se trouvant de l'autre côté.
22. Évitez de soulever, tirer ou abaisser l'outil par le tuyau.

Débranchement de l'outil

Débranchez l'outil de la source d'alimentation lorsque :

1. non utilisé;
2. exécution de tout entretien ou réparation;
3. nettoyage d'un blocage;
4. élévation, abaissement ou déplacement de l'outil vers un nouvel emplacement;
5. outil non surveillé ou contrôlé par l'utilisateur; ou
6. retrait des fixations du magasin.

Consignes de sécurité supplémentaires

1. La zone doit être suffisamment éclairée pour assurer un travail sécuritaire. La zone doit être dégagée et sans déchets.
2. Il se peut que des réglementations locales s'appliquent concernant les niveaux de bruit permis. Veuillez les respecter. Le cas échéant, des volets doivent être installés pour réduire le bruit.
3. Pour éviter tout risque de choc électrique, de fuite de gaz, d'explosion, etc., provoqué par le contact avec des fils dénudés, des conduites ou des tuyaux de gaz, vérifiez le mur ou le plafond, le plancher, le toit, etc.
4. Sur les toits et autres endroits élevés, posez les fixations en vous déplaçant vers l'avant. Vous risquez de perdre pied si vous posez les fixations en vous déplaçant à reculons. Lorsque vous posez des fixations sur une surface verticale, faites-le du haut vers le bas. De cette façon le travail sera moins exigeant physiquement.
5. N'abandonnez pas pour une période prolongée un outil chargé ou un compresseur d'air sous pression exposé au soleil à l'extérieur. Assurez-vous de toujours déposer l'outil en un endroit où la poussière, le sable, les copeaux et corps étrangers ne risquent pas d'y pénétrer.

6. Procédez au nettoyage et à l'entretien de l'outil une fois le travail terminé. Maintenez l'outil en excellente condition. Lubrifiez les pièces mobiles pour éviter qu'elles ne rouillent et pour limiter l'usure entraînée par la friction. Retirez toute poussière déposée sur les pièces.
7. Ne déconnectez pas le tuyau d'air avec un doigt posé sur la gâchette. Le déclenchement accidentel causerait une grave blessure au moment du raccordement du tuyau d'air.
8. Si vous échappez ou heurtez l'outil, vérifiez l'absence de dommages ou fissures, et assurez-vous que tous les dispositifs de sécurité sont en état de fonctionner avant d'utiliser l'outil. Comme la pression est élevée à l'intérieur de l'outil, la négligence de cette consigne risque de causer une blessure grave.
9. Confiez régulièrement l'outil à un centre de service après-vente agréé Makita pour une inspection.
10. Pour maintenir la SÉCURITÉ et la FIABILITÉ de l'outil, son entretien et sa réparation doivent être effectués dans un centre de service après-vente agréé ou d'usine Makita, exclusivement avec des pièces de rechange Makita.

CONSERVEZ CE MODE D'EMPLOI.

MISE EN GARDE : Une MAUVAISE UTILISATION de l'outil ou l'ignorance des consignes de sécurité du présent manuel d'instructions peuvent entraîner une grave blessure.

Symboles

Les symboles utilisés pour l'outil sont indiqués ci-dessous.



Veillez lire et comprendre les étiquettes et le manuel de l'outil. L'ignorance des mises en garde peut entraîner le décès ou une grave blessure.



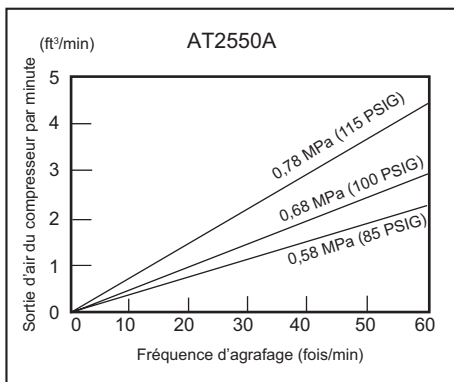
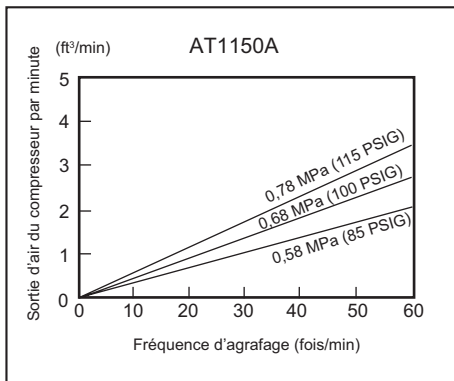
L'utilisateur et toute personne présente dans la zone de travail doivent porter des lunettes de sécurité avec protecteurs latéraux.



Gardez les doigts à l'écart de la gâchette lorsque vous ne posez pas de fixations, pour éviter la libération accidentelle de fixations.

INSTALLATION

Sélection du compresseur



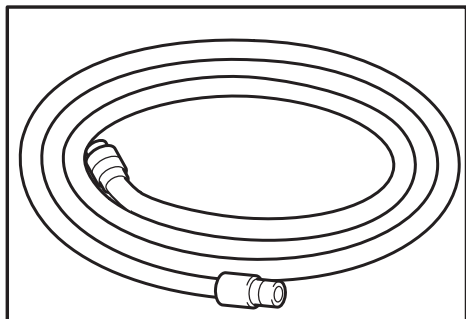
Le compresseur d'air doit répondre aux exigences de la norme ANSI B19.3.

Sélectionnez un compresseur dont la pression et la sortie d'air assureront un bon rapport coût/rendement. Le graphique présente la relation entre la fréquence d'agrafage, la pression applicable et la sortie d'air du compresseur.

Ainsi, par exemple, pour fixer environ 60 agrafes par minute avec une compression de 0,68MPa (100 PSIG), il faudra un compresseur dont la sortie d'air est supérieure à 3 pi³/minute.

Un régulateur de pression doit être utilisé si la pression d'air fournie dépasse la capacité nominale de l'outil. Autrement, l'utilisateur et les personnes présentes courent un risque de blessure grave.

Sélection du tuyau d'air

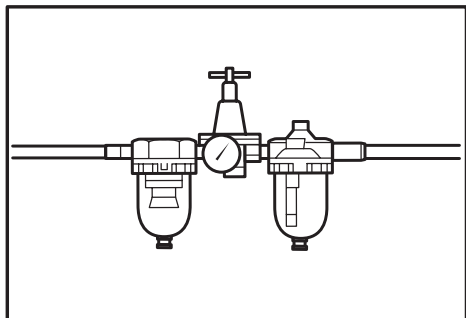


Pour assurer un travail d'agrafage continu et efficace, le tuyau d'air utilisé doit être le plus gros et le plus court possible. Avec une pression d'air de 0,49 MPa (70 PSIG), un tuyau d'air à diamètre interne supérieur à 8,5 mm (5/16") et d'une longueur inférieure à 20 m (6,6 pi) est recommandé lorsque l'intervalle entre chaque agrafage est de 0,5 seconde. Les tuyaux d'alimentation en air auront une pression de travail nominale d'au moins 1,03 MPa (150 PSIG) ou de 150 % la pression maximale produite dans le système, la plus grande de ces valeurs étant adoptée.

⚠ ATTENTION :

- Une faible pression d'air du compresseur, ou un tuyau d'air trop long ou à diamètre trop petit pour la fréquence d'agrafage peut entraîner une diminution de la capacité d'entraînement de l'outil.

Lubrification



Pour assurer un rendement optimal, installez un dispositif d'air (réservoir d'huile, régulateur, filtre à air) le plus près possible de l'outil. Réglez le réservoir d'huile de façon à ce qu'une goutte d'huile soit fournie toutes les 50 agrafes.

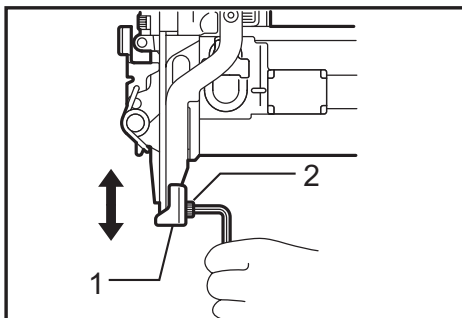
Si vous n'utilisez pas de chambre à air, graissez l'outil en versant deux (2) ou trois (3) gouttes d'huile pour outil pneumatique dans le raccord à air. Cette opération doit être effectuée avant et après l'utilisation. Pour assurer une lubrification adéquate, il faut faire déclencher l'outil à quelques reprises après l'insertion de l'huile pour outil pneumatique.

DESCRIPTION DU FONCTIONNEMENT

⚠ ATTENTION :

- Débranchez toujours le tuyau avant de régler ou de vérifier le fonctionnement de l'outil.

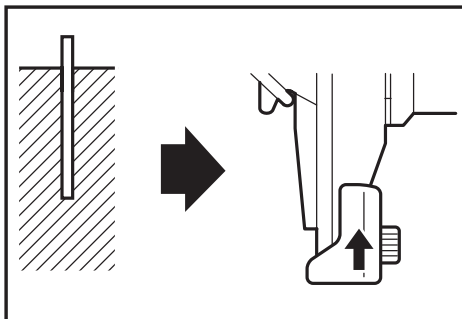
Réglage de la profondeur d'agrafage



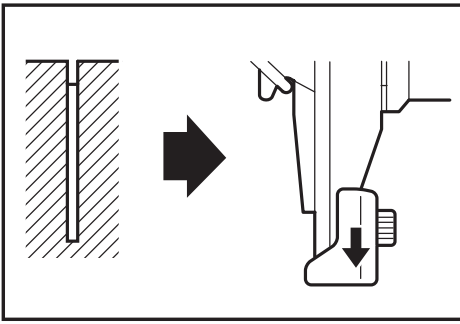
- 1. Plaque de réglage de profondeur 2. Clé hexagonale

Pour régler la profondeur d'agrafage, desserrez le boulon au moyen de la clé hexagonale fournie avec l'outil puis faites glisser la plage de réglage de profondeur vers le haut ou le bas.

Si les agrafes ne s'enfoncent pas assez profondément, faites glisser la plaque de réglage dans le sens de la flèche, tel qu'indiqué sur la figure.



Si les agrafes s'enfoncent trop profondément, faites glisser la plaque de réglage dans le sens de la flèche, tel qu'indiqué sur la figure.



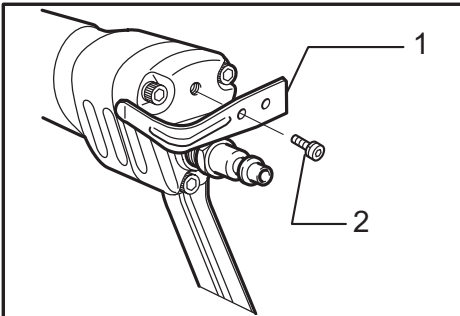
La profondeur est réglable de 5 mm au maximum.
Serrez le boulon fermement sur la bonne position après le réglage.

ASSEMBLAGE

⚠ ATTENTION :

- Déconnectez toujours le tuyau avant d'effectuer tout travail sur l'outil.

Crochet



► 1. Crochet 2. Vis

⚠ ATTENTION :

- Débranchez toujours le tuyau de l'outil.
- Ne suspendez jamais l'outil dans un endroit très élevé ou sur une surface qui risque d'être instable.

Le crochet est pratique pour suspendre l'outil temporairement.

Fixez le crochet sur l'outil à l'aide de la vis fournie, en utilisant un des deux orifices du crochet, tel qu'indiqué sur la figure.

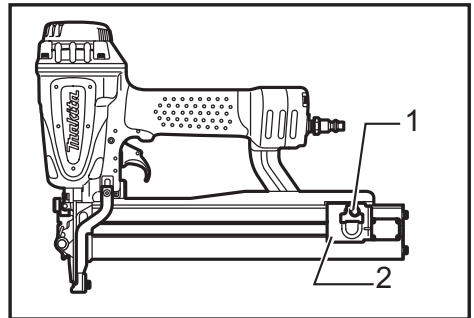
Chargement des agrafes

⚠ ATTENTION :

- Déconnectez toujours le tuyau avant de charger l'outil.
- N'utilisez ni agrafes déformées ni bandes d'agrafes. Autrement l'alimentation en agrafes risque d'être affectée.
- Utilisez toujours les agrafes spécifiées dans ce manuel d'instructions. Autrement l'alimentation en agrafes risque d'être affectée.
- Ramenez toujours le poussoir lentement et doucement tout en le tenant d'une main.

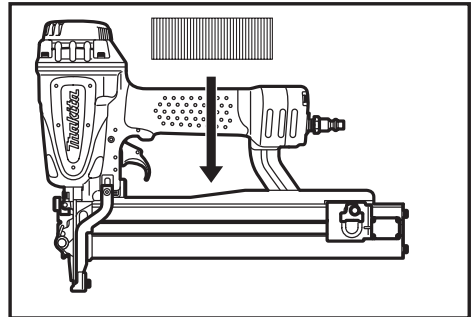
Sélectionnez des agrafes adéquates pour le travail à effectuer. Assurez-vous que le tuyau est déconnecté de l'outil.

1. Tirez le poussoir vers l'arrière du magasin et accrochez la rainure du poussoir sur la broche de blocage.

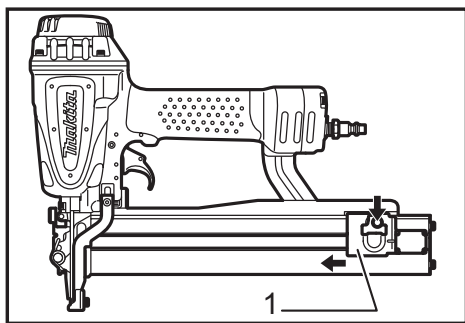


► 1. Broche de blocage 2. Poussoir

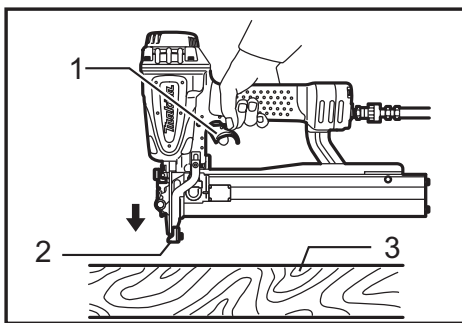
2. Insérez une bande d'agrafes dans le magasin. Vous pouvez charger deux bandes d'agrafes.



3. Enfoncez légèrement la broche de blocage et tirez sur le poussoir pour le décrocher. Avec la broche de blocage enfoncée, remettez lentement et doucement le poussoir sur sa position initiale. Maintenez le poussoir enfoncé jusqu'à ce qu'il soit traversé.

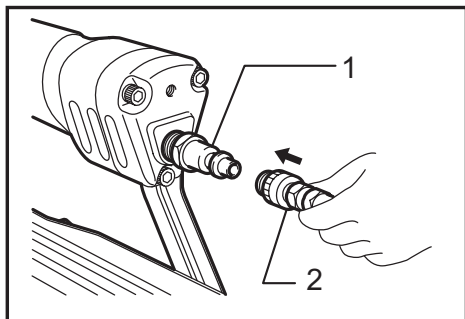


► 1. Poussoir



► 1. Gâchette 2. Élément de contact 3. Pièce

Raccordement du tuyau d'air



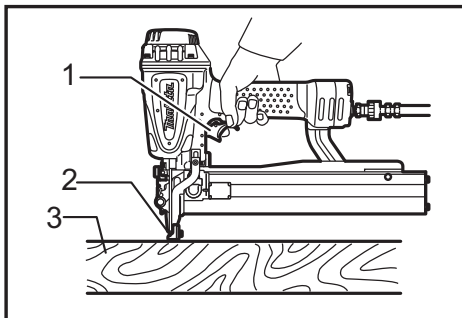
► 1. Raccord à air 2. Douille à air

Glissez la douille du tuyau d'air dans le raccord à air de l'agrafeuse. Assurez-vous que la douille est fermement verrouillée en place après l'avoir installée sur le raccord d'air. Un raccord pour tuyau doit être installé sur ou près de l'outil de sorte que le réservoir de pression se vide lors de la déconnexion du raccord d'alimentation en air.

UTILISATION

⚠ ATTENTION :

- Assurez-vous que tous les dispositifs de sécurité sont en état de fonctionner avant d'utiliser l'outil.
- Vous pouvez aussi appuyer d'abord sur la gâchette puis placer l'élément de contact contre la pièce.

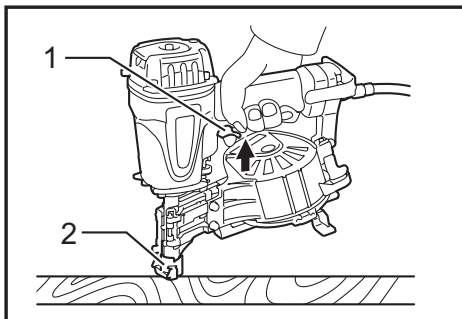


► 1. Gâchette 2. Élément de contact 3. Pièce

- Pour agraffer, vous pouvez soit placer l'élément de contact contre la pièce et appuyer sur la gâchette, ou
La méthode no 1 est pour l'agrafage continu.
La méthode no 2 est pour l'agrafage intermittent, lorsque vous désirez agraffer soigneusement avec une grande précision.

Pour gâchette à bande séquentielle (accessoire)

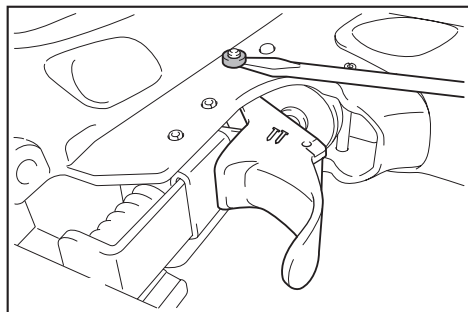
Pour planter une agrafe, vous pouvez mettre l'élément de contact contre la pièce et enfoncer la gâchette.



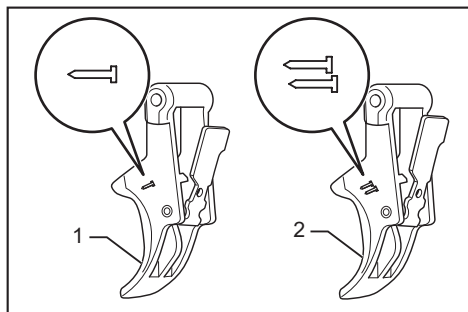
► 1. Gâchette 2. Bras de contact

Réglage de la gâchette à déclenchement séquentiel de bande

1. Pour retirer la gâchette, retirez la pièce de retenue et tirez sur la broche.

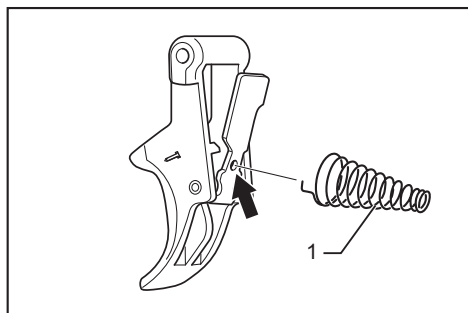


2. La différence entre la gâchette à déclenchement séquentiel de bande et la gâchette à déclenchement continu est illustrée sur la figure ci-dessous.



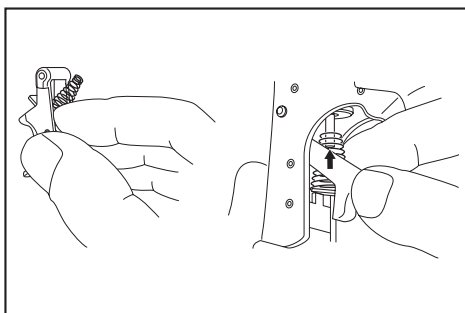
- ▶ 1. Gâchette à déclenchement séquentiel de bande (PIÈCE À DÉCLENCHEMENT UNIQUE)
- ▶ 2. Gâchette à déclenchement continu

3. Insérez le plus gros crochet du cône dans l'orifice du tendeur.



- ▶ 1. Cône

4. Pour installer la gâchette à déclenchement séquentiel de bande, retenez la gâchette avec vos doigts et faites passer le dessus du cône à travers le corps de valve, tel qu'illustré sur les figures.



5. Placez la broche retirée à l'étape 1 ci-dessus, et verrouillez-la avec la pièce de retenue.

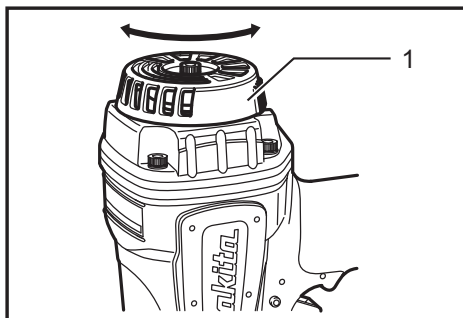
⚠ ATTENTION :

- AVEC LA GÂCHETTE MAINTENUE ENFONCÉE À MI-COURSE, un agrafage inattendu peut se produire si l'élément de contact est remis en contact avec la pièce ou autre surface sous l'effet du recul. Pour éviter cet agrafage inattendu, procédez comme suit :

A. N'appliquez pas une force excessive en plaçant l'élément de contact contre la pièce.

B. Appuyez à fond sur la gâchette et gardez-la ainsi pendant 1 ou 2 secondes après l'agrafage.

Orientation de l'échappement



- ▶ 1. Couverture de sortie

L'orientation de la sortie d'air peut être modifiée sur 360° en tournant manuellement le couvercle de sortie.

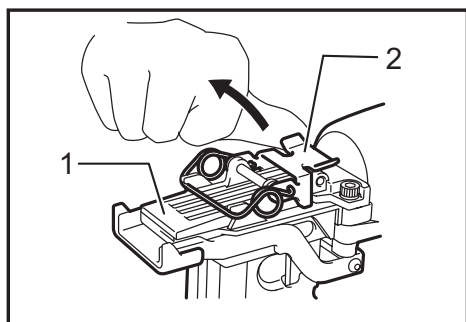
Retrait des agrafes coincées

⚠ MISE EN GARDE :

- Déconnectez toujours le tuyau avant de retirer les agrafes.

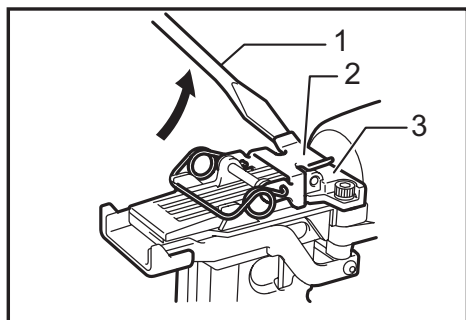
Retirez les agrafes du magasin.

Soulevez manuellement le verrou qui se trouve sur le dessus du guide d'entraînement.



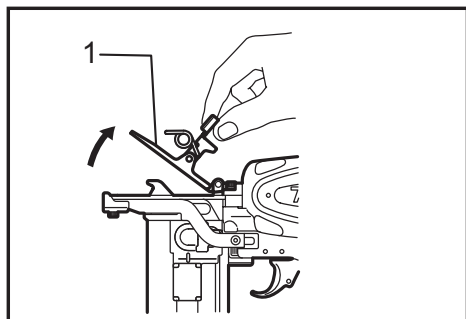
► 1. Guide d'entraînement 2. Verrou

Si vous n'arrivez pas à soulever le verrou manuellement, insérez un tournevis pour vis à fente dans l'interstice qui se trouve entre le verrou et la porte, et forcez le verrou vers le haut.



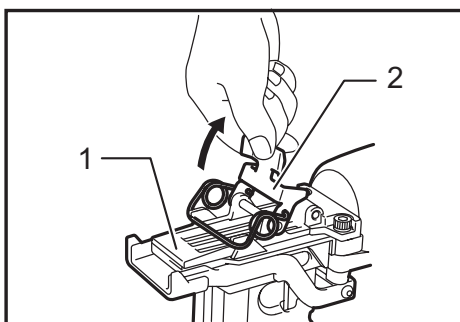
► 1. Tournevis pour vis à vente 2. Verrou 3. Porte

Ouvrez la porte et retirez les agrafes.



► 1. Porte

Posez le ressort du verrou sur les deux crochets du guide d'entraînement et remettez-le en position initiale en appuyant dessus.



► 1. Guide d'entraînement 2. Verrou

⚠ ATTENTION :

- Si le bout du dispositif d'entraînement des agrafes est usé, les agrafes auront tendance à se coincer et à ne pas pénétrer profondément dans la pièce. Le cas échéant, faites-le réparer dans une usine ou un centre de service agréé Makita.

ENTRETIEN

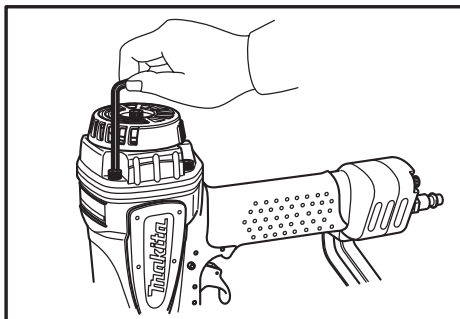
⚠ ATTENTION :

- Déconnectez toujours le tuyau avant d'effectuer tout travail d'inspection ou d'entretien sur l'outil.

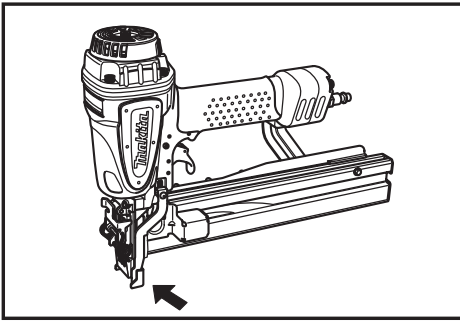
AVIS : N'utilisez jamais d'essence, de benzine, de solvant, d'alcool ou autres produits similaires. Une décoloration, une déformation ou la formation de fissures peuvent en découler.

Entretien de l'agrafeuse

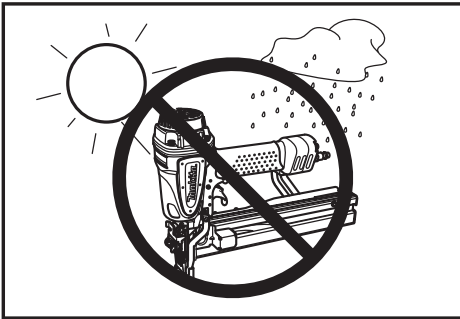
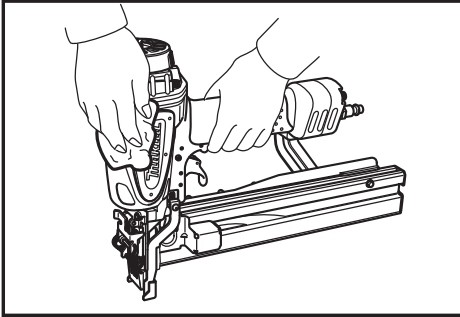
Avant d'utiliser l'outil, assurez-vous qu'il est en bon état et qu'aucune de ses vis n'est desserrée. Le cas échéant, serrez les vis.



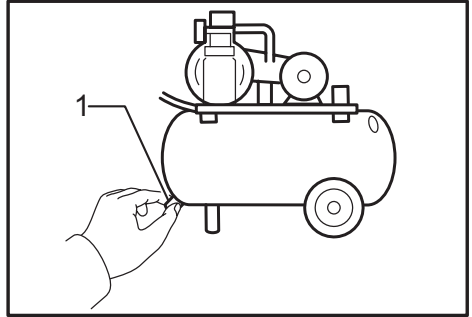
Avec l'outil débranché, inspectez-le quotidiennement pour vous assurer que l'élément de contact et la gâchette se déplacent librement. N'utilisez pas l'outil si l'élément de contact ou la gâchette se coincent.



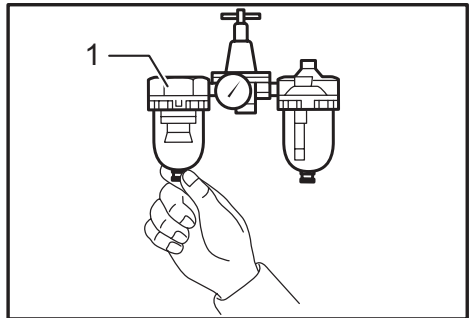
Si vous prévoyez que l'outil restera inutilisé pendant une période prolongée, lubrifiez-le avec de l'huile à outil pneumatique et rangez-le dans un endroit sûr. Évitez de l'exposer directement aux rayons du soleil et/ou de le laisser dans un environnement humide ou chaud.



Entretien du compresseur, de la chambre à air et du tuyau d'air

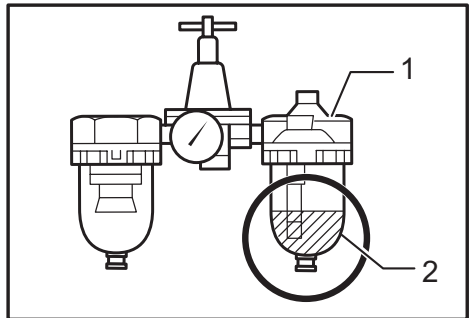


► 1. Robinet de vidange



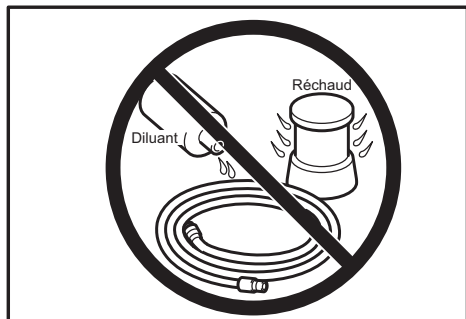
► 1. Filtre à air

Après l'utilisation, videz toujours le réservoir du compresseur et le filtre à air. L'outil risque de mal fonctionner ou de tomber en panne si l'humidité y pénètre. Vérifiez régulièrement le chambre à air pour vous assurer que le réservoir d'huile contient assez d'huile à outil pneumatique. Les joints toriques s'useront rapidement s'ils ne sont pas toujours bien graissés.



► 1. Réservoir d'huile 2. Huile à outil pneumatique

Gardez le tuyau d'air à l'écart de la chaleur (plus de 60°C ou 140°F) et des produits chimiques (diluants, acides puissants, substances alcalines). Il faut également faire courir le tuyau à l'écart des obstacles où il risquerait de se coincer pendant l'utilisation de l'outil. Les tuyaux doivent également être placés à l'écart des bords tranchants et de toute surface pouvant entraîner l'endommagement ou l'abrasion du tuyau.



Pour maintenir la SÉCURITÉ et la FIABILITÉ du produit, les réparations, tout autre travail d'entretien ou de réglage doivent être effectués dans un centre de service Makita agréé ou un centre de service de l'usine Makita, exclusivement avec des pièces de rechange Makita.

ACCESSOIRES EN OPTION

⚠ ATTENTION :

- Ces accessoires ou pièces complémentaires sont recommandés pour l'utilisation avec l'outil Makita spécifié dans ce mode d'emploi. L'utilisation de tout autre accessoire ou pièce complémentaire peut comporter un risque de blessure. N'utilisez les accessoires ou pièces qu'aux fins auxquelles ils ont été conçus.

Si vous désirez obtenir plus de détails concernant ces accessoires, veuillez contacter le centre de service après-vente Makita le plus près.

- Agrafes
- Tuyau d'air
- Lunettes de sécurité
- Gâchette à déclenchement séquentiel de bande

NOTE : Certains éléments de la liste peuvent être inclus avec l'outil comme accessoires standards. Ils peuvent varier suivant les pays.

GARANTIE LIMITÉE D'UN AN DE MAKITA

Politique de garantie

Tous les outils Makita sont soigneusement inspectés et mis à l'essai avant de quitter l'usine. Ils sont garantis contre les vices de fabrication et de matériau pour une période d'UN AN suivant la date de l'achat original. Si un problème survient pendant cette période d'un an, retournez l'outil COMPLET, fret payé d'avance, à une usine ou un centre de service après-vente autorisé Makita. S'il ressort de l'inspection que le problème est dû à un vice de fabrication ou de matériau, Makita réparera (ou remplacera, à son gré) l'outil gratuitement. Cette garantie ne s'applique pas dans les cas où :

- des réparations ont été effectuées ou tentées par un tiers;
- des réparations sont nécessaires en raison de l'usure normale;
- l'outil a été malmené, mal utilisé ou non adéquatement entretenu;
- l'outil a subi des modifications.

MAKITA NE SERA EN AUCUN CAS RESPONSABLE DE TOUS DOMMAGES INDIRECTS, ACCESSOIRES OU CONSÉCUTIFS DE LA VENTE OU DE L'UTILISATION DU PRODUIT. CET AVIS DE NON-RESPONSABILITÉ S'APPLIQUE PENDANT ET APRÈS LA PÉRIODE COUVERTE PAR CETTE GARANTIE.

MAKITA DÉCLINE TOUTE RESPONSABILITÉ QUANT À TOUTES GARANTIES IMPLICITES, Y COMPRIS LES GARANTIES DE « QUALITÉ MARCHANDE » OU D'« ADAPTATION À UN USAGE PARTICULIER » APRÈS LA PÉRIODE DE GARANTIE D'UN AN.

Cette garantie vous donne des droits légaux spécifiques, et vous pouvez également avoir d'autres droits qui varient d'une province à l'autre. Certaines provinces n'autorisant pas l'exclusion ou la restriction des dommages accessoires ou consécutifs, il se peut que la restriction ou l'exclusion ci-dessus ne s'applique pas à vous. Certaines provinces n'autorisant pas de restriction quant à la durée des garanties implicites, il se peut que la restriction ci-dessus ne s'applique pas à vous.

ESPECIFICACIONES

Modelo	AT1150A	AT2550A
Presión de aire	0,44 MPa - 0,83 MPa (65 PSIG - 120 PSIG)	
Grapas aplicables	25 mm - 50 mm (1" - 2")	
Capacidad de grapas	140 piezas.	
Diámetro mínimo de la manguera	6,5 mm (1/4")	
Dimensiones (La x An x Al)	370 mm X 87 mm X 290 mm (14-1/2" X 3-7/16" X 11-3/8")	370 mm X 76 mm X 260 mm (14-1/2" X 3" X 10-1/4")
Peso neto	2,3 kg (5,1 lbs)	2,3 kg (5,1 lbs)

Instrucciones importantes de seguridad

Por su seguridad personal y para una operación y mantenimiento adecuados de la herramienta, lea este manual de instrucciones atentamente antes de usar la herramienta.

ADVERTENCIA: AL UTILIZAR ESTA HERRAMIENTA, SE DEBEN SEGUIR SIEMPRE LAS PRECAUCIONES DE SEGURIDAD BÁSICAS PARA REDUCIR EL RIESGO DE LESIÓN PERSONAL, ENTRE LAS CUALES SE INCLUYEN LAS SIGUIENTES:

LEA TODAS LAS INSTRUCCIONES.

Equipo de protección personal

1. Siempre use gafas de seguridad para evitar lesiones en los ojos ocasionadas por el polvo o los clavos. Las gafas de seguridad deben cumplir con los requisitos de la norma ANSI Z87.1.

ADVERTENCIA: Es responsabilidad del empleador imponer el uso de equipo de seguridad para la protección de los ojos a los usuarios de las herramientas y demás personas en las inmediaciones del área de trabajo.

2. Use protección para los oídos para protegerlos contra el ruido del escape, así como también debe usarse protección para la cabeza. Además vistase con ropa ligera pero no holgada. Las mangas deben estar abotonadas o arremangadas. No deben usarse corbatas.

Atmósferas inflamables

1. No opere la herramienta en atmósferas explosivas, tal como en la presencia de líquidos, gases o polvo inflamables.

Modificación de la herramienta

1. La herramienta no deberá ser modificada a menos que esté autorizado en el manual de la herramienta o aprobado por escrito por el fabricante de la herramienta.

Mantenimiento de la herramienta

1. Consulte las instrucciones de mantenimiento de la herramienta para ver información detallada sobre el mantenimiento adecuado de la herramienta.

Clavos y accesorios recomendados

1. Utilice solamente clavos hechos o recomendados por el fabricante de la herramienta, o clavos que funcionen de manera similar a los recomendados por el fabricante.
2. Utilice solamente accesorios hechos o recomendados por el fabricante de la herramienta, o accesorios que funcionen de manera similar a los recomendados por el fabricante.

Inspeccione la herramienta antes de la operación para que:

1. Use solamente el suministro de energía especificado en el manual de instrucciones. Opere la herramienta dentro del rango de presión de aire especificado en la etiqueta de la herramienta para garantizar la seguridad y prolongar la vida útil de la herramienta. No exceda la presión de operación máxima recomendada. La herramienta no deberá conectarse a un suministro cuya presión pueda exceder los 1,37 MPa (200 PSIG).
2. Nunca use la herramienta con algo más que no sea aire comprimido. Si se utiliza algún gas embotellado (bióxido de carbono, oxígeno, nitrógeno, hidrógeno, aire, etc.) o algún gas combustible (hidrógeno, propano, acetileno, etc.) como suministro de energía para esta herramienta, ésta explotará y causará graves lesiones.
3. Siempre verifique el estado general de la herramienta, así como si hay tornillos sueltos antes de la operación. Apriete según sea necesario.
4. Asegúrese de que todos los sistemas de seguridad funcionen adecuadamente antes de la operación. La herramienta no deberá ser operada si solamente se ha jalado el gatillo interruptor o si sólo se ha presionado el elemento de contacto contra la madera. Ésta deberá operarse únicamente cuando ambas acciones hayan sido ejecutadas. Compruebe si hay alguna operación defectuosa sin que haya clavos cargados y con el elemento de contacto en la posición completamente retraída.
5. Siempre inspeccione el elemento de contacto tal como se indica en este manual. Los clavos podrían clavarse accidentalmente si el mecanismo de seguridad no está funcionando correctamente.

Controles de operación

1. No utilice una herramienta que no tenga o tenga dañadas la(s) etiqueta(s) de advertencia de seguridad.
2. Una herramienta que no esté en buenas condiciones de funcionamiento no deberá ser utilizada. Los rótulos y la segregación física deberán ser utilizados para el control.
3. No quite ni altere los controles de operación de la herramienta, ni cause de otra manera que éstos se vuelvan inoperables.
4. No opere la herramienta si cualquier sección de los controles de operación de la herramienta está inoperable, desconectada, alterada o no está funcionando apropiadamente.

Manipulación de la herramienta

1. Solamente las personas que hayan leído y entendido las instrucciones de operación/seguridad de la herramienta deberán operar la herramienta.
2. Siempre asuma que la herramienta contiene clavos.
3. No apunte la herramienta hacia usted ni a ninguna persona independientemente de que contenga clavos o no.
4. Mantenga alejados a los niños y demás personas alrededor durante la operación de la herramienta.
5. No accione la herramienta a menos que esté colocada firmemente contra la pieza de trabajo.
6. Trate la herramienta como un utensilio de trabajo.
7. No utilice la herramienta para jugar.
8. Manténgase alerta, concéntrese en su trabajo y utilice el sentido común cuando trabaje con herramientas.
9. No utilice la herramienta cuando esté cansado, después de haber consumido drogas o alcohol, o bajo la influencia de medicamentos.
10. No utilice la herramienta donde no alcance. Pise sobre suelo firme y mantenga el equilibrio en todo momento.
11. No sostenga ni cargue la herramienta con el dedo sobre el gatillo interruptor.
12. Coloque los clavos únicamente sobre una superficie de trabajo adecuada.
13. No coloque los clavos sobre otros clavos.
14. Después de colocar un clavo, la herramienta podría saltar hacia atrás (“retroceder”) alejándose de la superficie de trabajo. Para reducir el riesgo de lesiones asociadas con el retroceso, siempre haga lo siguiente:
 - a) mantenga siempre el control sobre la herramienta.
 - b) permita que el retroceso aleje a la herramienta de la superficie de trabajo.
 - c) no resista el retroceso para hacer regresar a la fuerza la herramienta a la superficie de trabajo. En el “Modo de accionamiento por contacto”, si el contacto con la pieza de trabajo es permitido para volver a entrar en contacto con la superficie de trabajo antes de soltar el gatillo interruptor, ocurrirá la descarga accidental de un clavo.
 - d) mantenga la cara y las partes del cuerpo alejados de la herramienta.

15. Cuando trabaje cerca del borde de una pieza de trabajo o en ángulos pronunciados, tenga cuidado para minimizar el astillado, fisura o fragmentación, o que los clavos salgan volando o reboten, pudiendo ocasionar una lesión.
16. Mantenga las manos y el cuerpo alejados del área de descarga de clavos de la herramienta.
17. No cargue la herramienta con los clavos cuando cualquiera de los controles de operación se encuentre activado.
18. No opere la herramienta con un suministro de energía que no sea el especificado en las instrucciones de operación/seguridad de la herramienta.
19. No opere la herramienta con ninguna presión de operación que no sea la especificada en las instrucciones de operación/seguridad de la herramienta.
20. Siempre seleccione un sistema de accionamiento que sea apropiado para la aplicación de clavos y la capacitación del operador.
21. Tenga extrema precaución cuando coloque los clavos en las paredes existentes u otras áreas ciegas para evitar el contacto con objetos ocultos o personas del otro lado (p. ej., cables, tubos).
22. No levante, jale o baje la herramienta tomándola de la manguera.

Desconexión de la herramienta

Desconecte la herramienta del suministro de energía cuando:

1. no la esté usando;
2. realice cualquier tarea de mantenimiento o reparación;
3. despeje algún atascamiento;
4. eleve, baje o mueva de alguna otra forma la herramienta a otro lugar;
5. la herramienta esté fuera de la supervisión o control del operador; o
6. retire los clavos del cartucho.

Instrucciones adicionales de seguridad

1. El área de trabajo debe estar suficientemente iluminada para garantizar la seguridad en las operaciones. El área de trabajo debe estar despejada y limpia.
2. Puede que haya regulaciones locales respecto al ruido las cuales deben cumplirse al mantener los niveles de ruido dentro de los límites preestablecidos. En determinados casos, deberán usarse persianas para contener el ruido.
3. Revise paredes, techos, tejados, pisos y similares con atención para evitar una fuga eléctrica accidental, así como una fuga de gas, explosiones, etc. que sean provocadas por haber insertado el fijador en cables con corriente, tubos o ductos de gas.
4. En los tejados y otros lugares elevados, clave a medida que vaya avanzando hacia adelante. Usted puede perder fácilmente el equilibrio si clava mientras retrocede. Al clavar contra una superficie perpendicular, hágalo de la parte superior a la inferior. Si lo hace así, se fatigará menos al realizar las operaciones.

5. No deje la herramienta cargada o con el compresor de aire funcionando por un tiempo prolongado bajo el sol. Asegúrese de que el polvo, la arena, las astillas o el material extraño no ingrese a la herramienta al dejarla en el lugar que designe.
6. Realice operaciones de limpieza y mantenimiento justo después de haber terminado la labor. Mantenga la herramienta en excelentes condiciones. Lubrique las piezas móviles para prevenir la oxidación y minimizar el desgaste por fricción. Limpie la herramienta y las piezas del polvo.
7. No desconecte la manguera de aire con el dedo sobre el gatillo interruptor. Un clavado inesperado podría causar lesiones graves si la manguera de aire está conectada.
8. Si la herramienta llegara a caerse o golpearse, revise los daños o grietas en la herramienta y asegúrese de que los sistemas de seguridad estén funcionando correctamente antes de la operación. El no hacerlo podría causar lesiones graves debido a la alta presión en el interior de la herramienta.
9. Solicite una inspección periódica de la herramienta en los centros de servicios autorizados de Makita.
10. Para mantener la SEGURIDAD y FIABILIDAD del producto, las reparaciones y cualquier mantenimiento deberán ser realizados por los centros de servicio autorizados o de fabricación de Makita, usando siempre repuestos Makita.

GUARDE ESTAS INSTRUCCIONES.

⚠ ADVERTENCIA: El uso incorrecto o el no seguir las normas de seguridad que se declaran en este instructivo podría resultar en lesiones personales graves.

Símbolos

A continuación se muestran los símbolos utilizados para la herramienta.



Lea y entienda el manual y las etiquetas de la herramienta. El no seguir las advertencias podría ocasionar la muerte o una lesión grave.



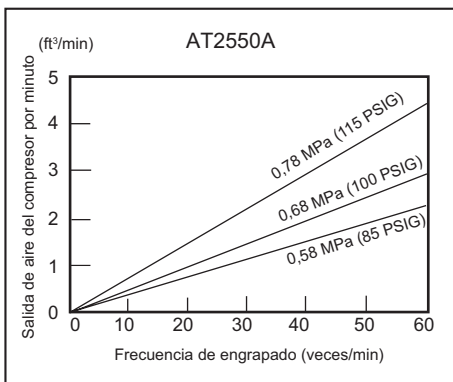
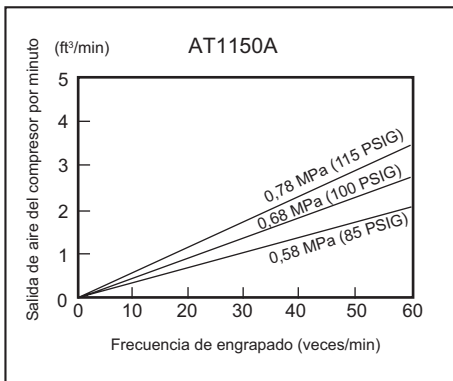
Los operarios y demás personas que se encuentran en el área de trabajo deben usar gafas de seguridad con protección lateral.



Mantenga los dedos alejados del gatillo interruptor cuando no esté colocando clavos a fin de evitar una descarga accidental.

INSTALACIÓN

Cómo elegir un compresor



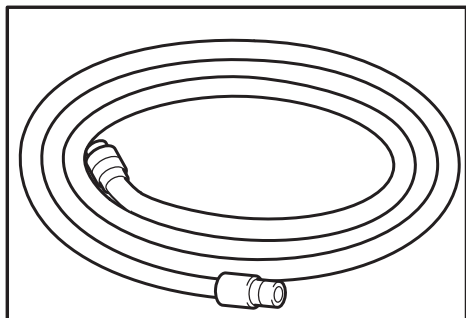
El compresor de aire debe cumplir con los requerimientos de ANSI B19.3.

Seleccione un compresor que suministre gran presión, al igual que salida de aire para asegurar una operación eficiente en costos. La gráfica muestra la relación entre la frecuencia de engrapado, presión aplicable y salida de aire del compresor.

Así, por ejemplo, si el engrapado se lleva a cabo a una velocidad aproximada de 60 veces por minuto a una compresión de 0,68MPa (100 PSIG) se requiere entonces un compresor con una salida de aire mayor de 3 ft³/minuto.

Los reguladores de presión deben usarse para limitar la presión del aire suministrado cuando éste excede la presión nominal de la herramienta. Si no lo hiciera, podrían ocurrir graves daños al operador de la herramienta o las personas que se encuentran en las proximidades del lugar.

Cómo seleccionar una manguera de aire

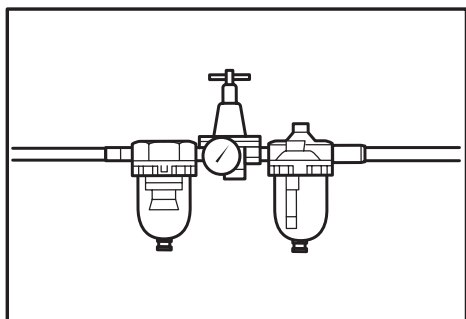


Use una manguera de aire tan ancha y corta como sea posible para asegurar una operación eficiente y continua en el engrapado. Con una presión de aire de 0,49 MPa (70 PSIG), se recomienda una manguera de aire con un diámetro interno mayor de 8,5 mm (5/16") y con una longitud menor de 20 m (6,6 ft.) para cuando el intervalo entre cada engrapado sea de 0,5 segundos. Las mangueras para suministro de aire deben tener una presión mínima de ejecución a una razón de 1,03 MPa (150 PSIG) o 150 por ciento de la presión máxima producida en el sistema, cualquiera que sea mayor.

⚠️ PRECAUCIÓN:

- La salida reducida de aire del compresor, o un diámetro ancho o menor de la manguera de aire en relación a la frecuencia de engrapado puede causar una reducción del desempeño de la herramienta.

Lubricación



Para garantizar un desempeño óptimo, instale un sistema de aire (lubricador, regulador y filtro de aire) tan cerca como sea posible a la herramienta. Ajuste el lubricador de tal forma que una gota de aceite sea usado por cada 50 grapas.

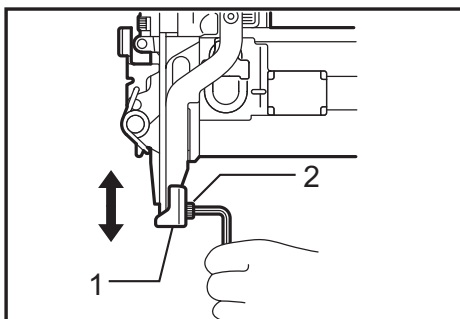
Cuando no se use el juego de aire, lubrique la herramienta con aceite para herramientas neumáticas, colocando 2 (dos) o 3 (tres) gotas en el adaptador de aire. Esto deberá realizarse antes y después de cada uso. Para una lubricación adecuada, la herramienta debe dispararse un par de veces después de introducir el aceite para herramientas neumáticas.

DESCRIPCIÓN DEL FUNCIONAMIENTO

⚠️ PRECAUCIÓN:

- Siempre desconecte la manguera antes de ajustes o revisiones en la herramienta.

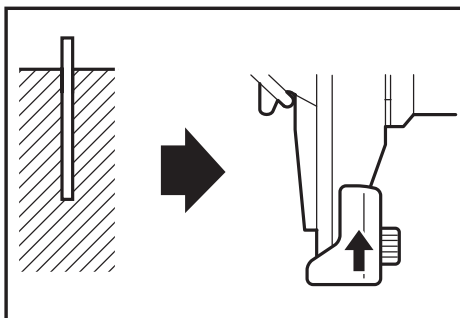
Ajuste de la profundidad del engrapado



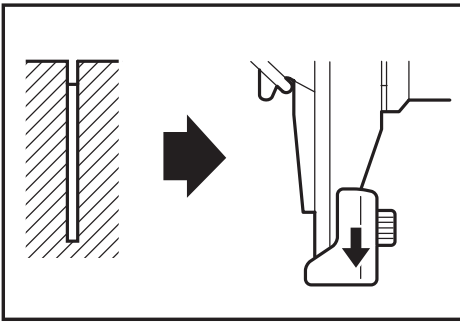
- 1. Placa ajustadora de profundidad 2. Llave hexagonal

Para ajustar la profundidad del engrapado, afloje el perno al usar la llave hexagonal incluida con la herramienta y deslice luego la placa ajustadora de profundidad hacia arriba o abajo.

Si las grapas no pueden colocarse con suficiente profundidad, deslice la placa ajustadora hacia la dirección de la flecha como se muestra en la figura.



Si las grapas se colocan con una profundidad excesiva, deslice la placa ajustadora hacia la dirección de la flecha como se muestra en la figura.



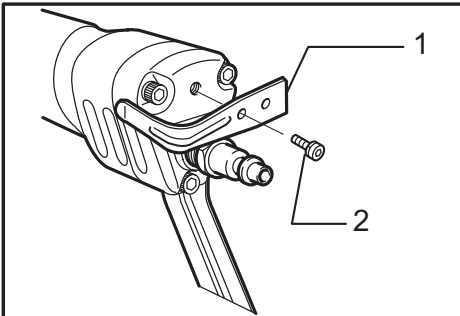
La profundidad puede ajustarse a 5 mm del máximo. Apriete el perno firmemente en la posición derecha tras el ajuste.

ENSAMBLE

⚠PRECAUCIÓN:

- Siempre desconecte la manguera antes de llevar a cabo cualquier servicio de mantenimiento en la herramienta.

Gancho



► 1. Gancho 2. Tornillo

⚠PRECAUCIÓN:

- Siempre desconecte la manguera de la herramienta.
- Nunca enganche la herramienta en un lugar elevado o en una superficie potencialmente inestable.

El gancho resulta conveniente a la hora de colgar la herramienta en forma temporal. Fije el gancho en la herramienta con el tornillo incluido usando cualquiera de los dos orificios en el gancho como se muestra en la figura.

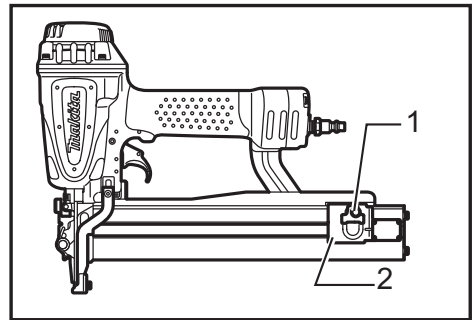
Resuministro de la grapadora

⚠PRECAUCIÓN:

- Siempre desconecte la manguera antes de resuministrar la herramienta.
- No utilice grapas deformes, ni una tira de grapas con grapas deformes. No seguir esta indicación provocaría una alimentación de grapas deficiente.
- Siempre use las grapas que se especifican en este manual de instrucciones. No seguir esta indicación provocaría una alimentación de grapas deficiente.
- Siempre retorne la pieza de empuje lenta y cuidadosamente mientras la sostiene con la mano.

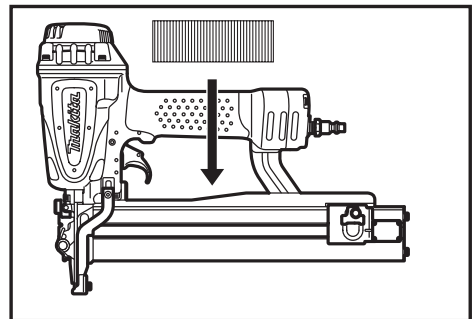
Seleccione las grapas apropiadas para su trabajo. Asegúrese que la manguera no esté conectada a la herramienta.

1. Jale la pieza de empuje hacia atrás del cartucho de grapas y enganche la ranura en la pieza de empuje en la clavija de sujeción.

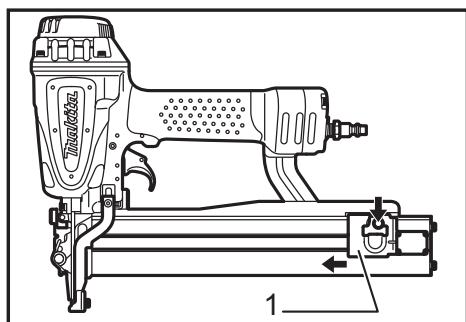


► 1. Clavija de sujeción 2. Propulsor

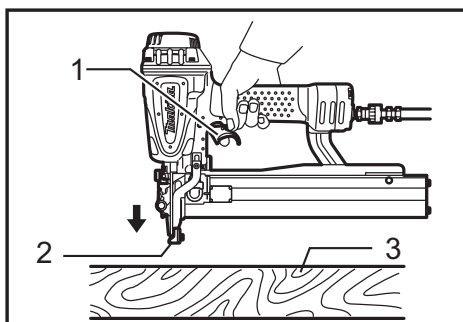
2. Inserte la tira de grapas en el cartucho de grapas. Pueden cargarse dos tiras de grapas.



3. Presione la clavija de sujeción ligeramente y jale la pieza de empuje para desengancharla. Con la clavija de sujeción presionada, retorne la pieza de empuje lenta y cuidadosamente a su posición original. Mantenga presionando la pieza de empuje hasta que atraviese.

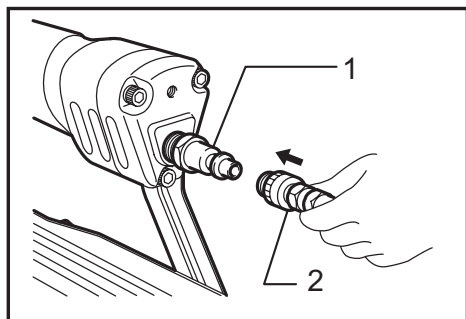


► 1. Propulsor



► 1. Gatillo 2. Elemento de contacto 3. Pieza de trabajo

Cómo conectar la manguera



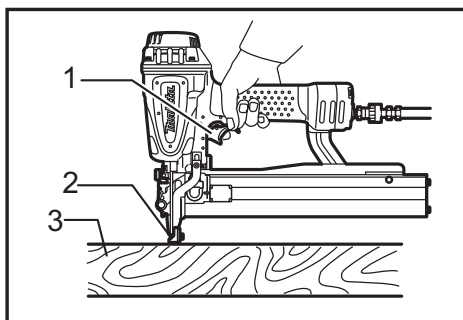
► 1. Entrada de aire de la clavadora 2. Conexión de la manguera de aire

Deslice el acceso de aire de la manguera de aire en el ajuste de aire de la grapadora. Asegúrese de que el acceso de aire quede firmemente asegurado en su lugar al instalarse en el ajuste de aire. Debe instalarse un acoplador de manguera sobre o cerca de la herramienta de tal forma que el contenedor de presión se descargue al momento en que el acoplador del suministro de aire se desconecte.

OPERACIÓN

⚠PRECAUCIÓN:

- Asegúrese de que todos los sistemas de seguridad funcionen adecuadamente antes de utilizar la herramienta.
1. Tirar del gatillo primero y luego colocar el elemento de contacto contra la pieza de trabajo.



► 1. Gatillo 2. Elemento de contacto 3. Pieza de trabajo

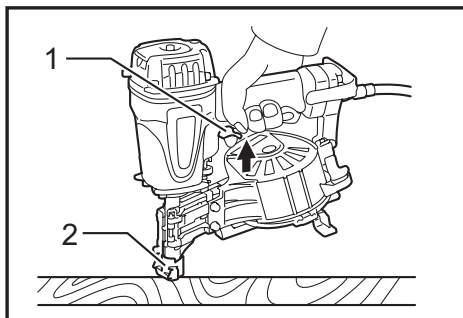
2. Para colocar una grapa, puede colocar el elemento de contacto contra la pieza de trabajo y jalar el gatillo.

El método No.1 es para un engrapado continuo.

El método No.2 es para un engrapado intermitente, en donde desea clavar cada grapa de manera muy cuidadosa y precisa.

Para un gatillo de desplazamiento secuencial (acesorio)

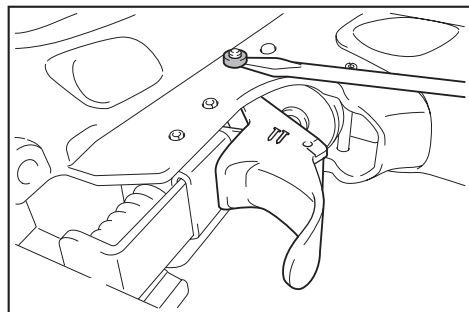
Para colocar una grapa, puede colocar el elemento de contacto contra la pieza de trabajo y jalar el gatillo.



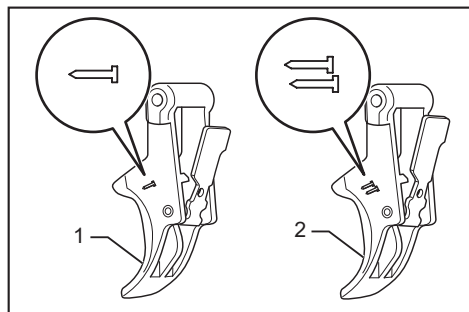
► 1. Gatillo 2. Brazo de contacto

Ajuste del gatillo de disparo secuencial

1. Para extraer el gatillo, quite el retenedor y retire el pasador.

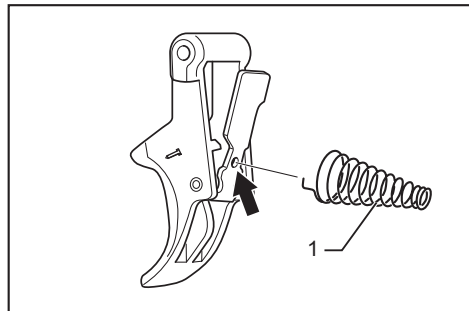


2. La diferencia entre el gatillo de disparo secuencial y el gatillo de disparo continuo se muestra en la figura de abajo.



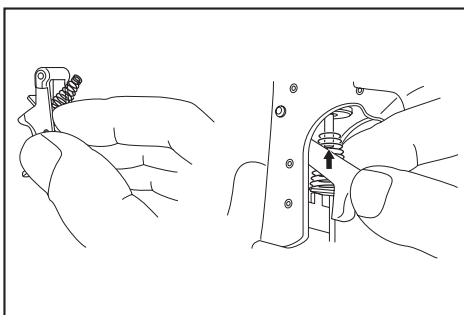
► 1. Gatillo de disparo secuencial (PIEZA DE DISPARO ÚNICO) 2. Gatillo de disparo continuo

3. Inserte el gancho más grande de la pieza cónica dentro del orificio en el engranaje intermedio.



► 1. Pieza cónica

4. Para instalar el gatillo de disparo secuencial, sostenga el gatillo con sus dedos y haga pasar la parte superior de la pieza cónica a través del vástago de la válvula del gatillo tal como se muestra en las figuras.



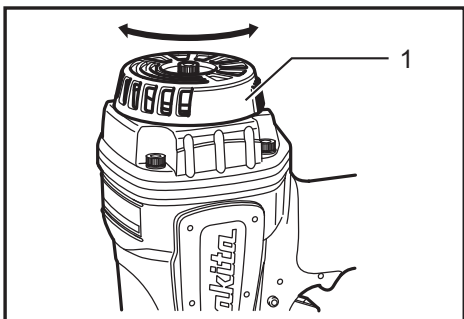
5. Coloque el pasador que retiró en el paso no. 1 de arriba y asegúrelo con el retenedor.

⚠PRECAUCIÓN:

- EI MANTENER EL GATILLO JALADO EN UNA POSICIÓN INTERMEDIA podría provocar un clavado accidental si se permite que el elemento de contacto entre nuevamente en contacto con la pieza de trabajo u otra superficie sometida a la influencia del retroceso. A fin de evitar un clavado accidental, haga lo siguiente:

- A. No coloque el elemento de contacto contra la pieza de trabajo con demasiada fuerza.
- B. Jale el gatillo por completo y sosténgalo por uno o dos segundos tras el engrapado.

Dirección del aire de escape



► 1. Cubierta de escape

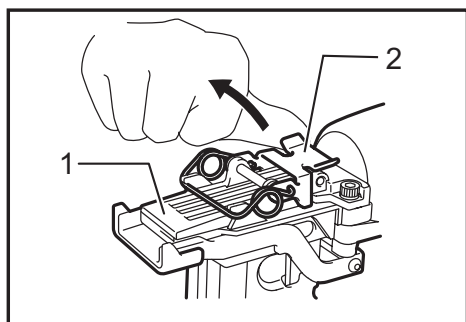
La dirección del aire de escape puede modificarse a un ángulo de 360 grados al girar la cubierta de escape con la mano.

Extracción de grapas atascadas

⚠ADVERTENCIA:

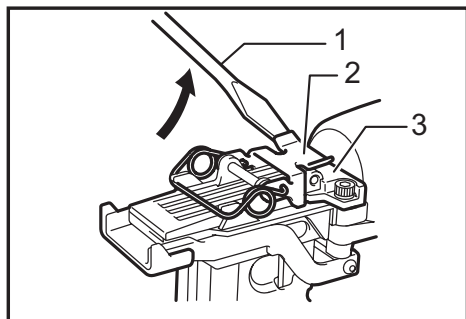
- Siempre desconecte la manguera antes de retirar las grapas.

Retire las grapas del cartucho de grapas. Levante con la mano el cerrojo en la parte superior de la guía de engrapado.



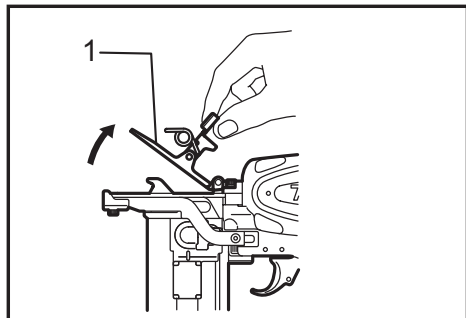
► 1. Guía de engrapado 2. Cerrojo

Si el cerrojo no puede levantarse a mano, inserte un desarmador plano en el espacio entre el cerrojo y la compuerta y fuércela hacia arriba.



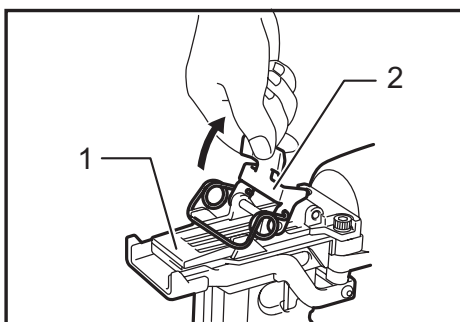
► 1. Destornillador de broca acanalado 2. Cerrojo 3. Puerta

Abra la compuerta y saque las grapas.



► 1. Puerta

Coloque el resorte del cerrojo en los dos ganchos de la guía de engrapado y retorne a su posición original al presionarlo.



► 1. Guía de engrapado 2. Cerrojo

⚠PRECAUCIÓN:

- Si la punta de la guía de engrapado se ha desgastado, el atascamiento, así como el engrapado ineficiente tienden a ocurrir. Cuando esto ocurre, lleve a repararla a uno de los centros de servicio del fabricante o centro autorizado Makita.

MANTENIMIENTO

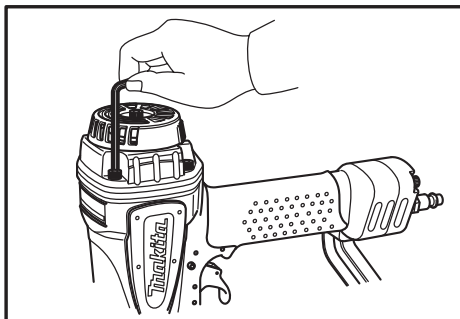
⚠PRECAUCIÓN:

- Desconecte siempre la manguera de aire de la herramienta antes de intentar hacer una inspección o mantenimiento.

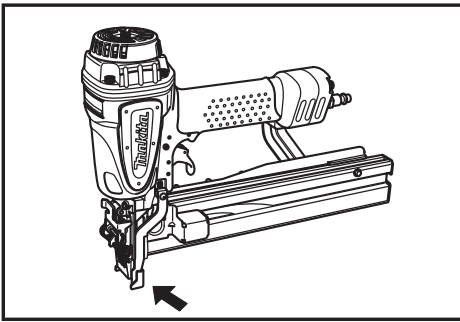
AVISO: Nunca use gasolina, bencina, diluyente (tiner), alcohol o sustancias similares. Puede que esto ocasione grietas o decoloramiento.

Mantenimiento de la grapadora

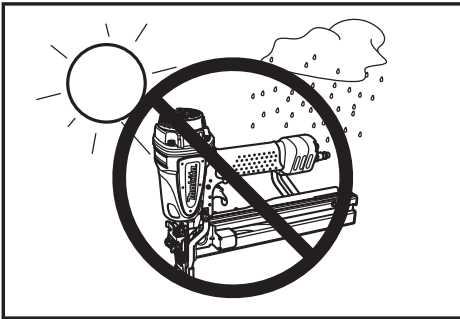
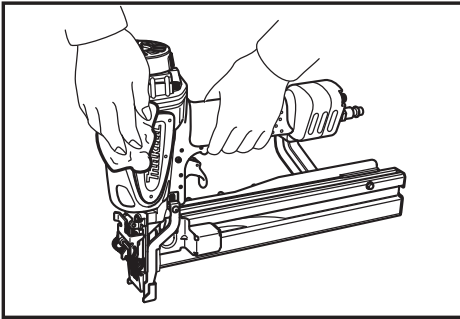
Verifique siempre el estado general de la herramienta y afloje los tornillos antes de ponerla en funcionamiento. Ajuste según lo requerido.



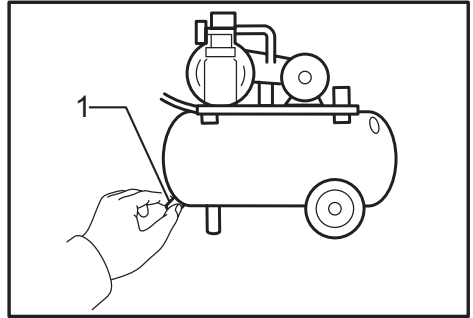
Con la herramienta desconectada, realice una inspección diaria para garantizar un movimiento libre del elemento de contacto y el gatillo. No use la herramienta si el elemento de contacto o el gatillo quedan trabados o atorados.



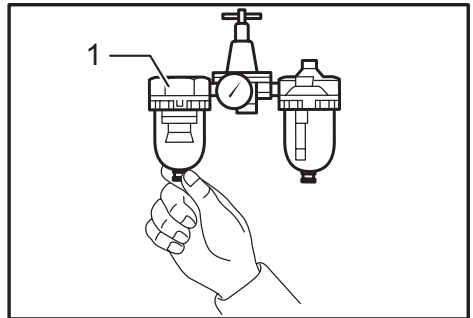
Cuando la herramienta no se use durante un largo tiempo, lubríquela usando aceite para herramientas neumáticas y guarde la herramienta en un lugar seguro. Evite exponerla a la luz solar directa y/ o al calor o humedad ambiental.



Mantenimiento del compresor, juego de aire o manguera de aire

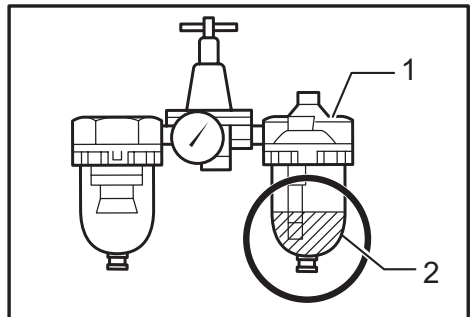


► 1. Llave de drenaje



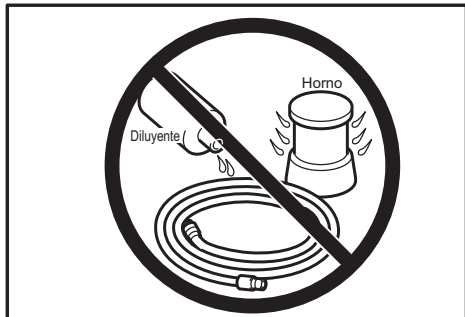
► 1. Filtro de aire

Luego de utilizarla, vacíe siempre el tanque del compresor y el filtro de aire. Si permite que la humedad entre en la herramienta, esto podría ocasionar un mal funcionamiento y la posible falla de la misma. Verifique regularmente para ver si hay suficiente aceite neumático en el lubricador del juego de aire. La falta de mantenimiento de una lubricación suficiente ocasionará el desgaste rápido de los aros.



► 1. Lubricador 2. Aceite neumático

Mantenga la manguera de aire alejada del calor (más de 60°C, más de 140°F), lejos de las sustancias químicas (diluyente, ácidos fuertes o álcalis). Además, encamine la manguera fuera de los obstáculos dado que podría quedar peligrosamente atrapada durante el funcionamiento. Las mangueras deben también dirigirse lejos de bordes filosos y áreas que podrían dañarlas o desgastarlas.



Para mantener la SEGURIDAD y FIABILIDAD del producto, las reparaciones, y cualquier otra tarea de mantenimiento o ajuste deberán ser realizadas en Centros de Servicio Autorizados por Makita, empleando siempre repuestos Makita.

ACCESORIOS OPCIONALES

⚠️ PRECAUCIÓN:

- Estos accesorios o aditamentos (incluidos o no) están recomendados para utilizar con su herramienta Makita especificada en este manual. El empleo de cualesquiera otros accesorios o acoplamientos conllevará un riesgo de sufrir heridas personales. Utilice los accesorios o acoplamientos solamente para su fin establecido.

Si necesita cualquier ayuda para más detalles en relación con estos accesorios, pregunte a su centro de servicio Makita local.

- Grapas
- Mangueras de aire
- Gafas de seguridad
- Gatillo de disparo secuencial

NOTA: Algunos de los artículos en la lista pueden incluirse en el paquete de la herramienta como accesorios estándar. Éstos pueden variar de país a país.

GARANTÍA LIMITADA DE UN AÑO DE MAKITA

Ésta Garantía no aplica para México Política de garantía

Cada herramienta Makita es inspeccionada y probada exhaustivamente antes de salir de la fábrica. Se garantiza que está libre de defectos de mano de obra y materiales por el período de UN AÑO a partir de la fecha original de compra. Si durante este período de un año se desarrollara algún problema, devuelva la herramienta COMPLETA, con el envío prepagado, a un centro de servicio autorizado o de fábrica Makita. Si la inspección muestra que el problema ha sido a causa de un defecto de mano de obra o material, Makita hará la reparación (o a su discreción, el reemplazo) sin ningún cargo.

Esta garantía no aplica cuando:

- las reparaciones se hayan hecho o intentado hacer por otros;
- se requieran reparaciones debido al desgaste normal;
- la herramienta haya sido maltratada, recibido un mal uso o haya recibido un mantenimiento inapropiado;
- se hayan hecho modificaciones a la herramienta.

EN NINGÚN CASO MAKITA SE HARÁ RESPONSABLE DE NINGÚN DAÑO INDIRECTO, INCIDENTAL, O DERIVADO DE LA VENTA O USO DEL PRODUCTO. ESTE DESCARGO DE RESPONSABILIDAD APLICA DURANTE Y DESPUÉS DEL PLAZO DE ESTA GARANTÍA. MAKITA RENUNCIA A LA RESPONSABILIDAD POR CUALQUIER GARANTÍA IMPLÍCITA, INCLUYENDO GARANTÍAS DE "COMERCIABILIDAD" Y "ADECUACIÓN PARA UN PROPÓSITO ESPECÍFICO", DESPUÉS DEL PLAZO DE UN AÑO DE ESTA GARANTÍA.

Esta garantía le concede derechos legales específicos y usted podrá tener también otros derechos que varían de un estado a otro. Algunos estados no permiten la exclusión o limitación de daños incidentales o consecuentes, por lo que la limitación o exclusión arriba mencionada podría no aplicar para usted. Algunos estados no permiten la limitación sobre la duración de una garantía implícita, por lo que la limitación arriba mencionada podría no aplicar para usted.

< USA only >

WARNING

Some dust created by power sanding, sawing, grinding, drilling, and other construction activities contains chemicals known to the State of California to cause cancer, birth defects or other reproductive harm. Some examples of these chemicals are:

- lead from lead-based paints,
- crystalline silica from bricks and cement and other masonry products, and
- arsenic and chromium from chemically-treated lumber.

Your risk from these exposures varies, depending on how often you do this type of work. To reduce your exposure to these chemicals: work in a well ventilated area, and work with approved safety equipment, such as those dust masks that are specially designed to filter out microscopic particles.

< USA solamente >

ADVERTENCIA

Algunos tipos de polvo creados por el lijado, serrado, amolado, taladrado, y otras actividades de la construcción contienen sustancias químicas reconocidas por el Estado de California como causantes de cáncer, defectos de nacimiento y otros peligros de reproducción. Algunos ejemplos de estos productos químicos son:

- plomo de pinturas a base de plomo,
- sílice cristalino de ladrillos y cemento y otros productos de albanilería, y
- arsénico y cromo de maderas tratadas químicamente.

El riesgo al que se expone variará, dependiendo de la frecuencia con la que realice este tipo de trabajo. Para reducir la exposición a estos productos químicos: trabaje en un área bien ventilada, y pongase el equipo de seguridad indicado, tal como esas mascarillas contra el polvo que están especialmente diseñadas para filtrar partículas microscópicas.

Makita Corporation

Anjo, Aichi, Japan
Made in Taiwan / Hecho en Taiwan

AT1150A_NA3_0216
EN, FRCA, ESMX
20160425