

INSTRUCTION MANUAL  
MANUEL D'INSTRUCTION  
MANUAL DE INSTRUCCIONES



# Hedge Trimmer Taille-haie Corta Setos Eléctrico

**UH5570**  
**UH6570**



DOUBLE INSULATION  
DOUBLE ISOLATION  
DOBLE AISLAMIENTO

**IMPORTANT:** Read Before Using.  
**IMPORTANT :** Lire avant usage.  
**IMPORTANTE:** Lea antes de usar.

# SPECIFICATIONS

Model	UH5570	UH6570
Blade length	550 mm (21 - 5/8")	650 mm (25 - 5/8")
Strokes per minute	1,600 /min	1,600 /min
Overall length	1,031 mm (40 - 1/2")	1,136 mm (44 - 3/4")
Net weight	3.7 kg (8.2 lbs)	3.8 kg (8.4 lbs)

- Due to our continuing program of research and development, the specifications herein are subject to change without notice.
- Specifications may differ from country to country.
- Weight according to EPTA-Procedure 01/2003

## General Power Tool Safety Warnings

**⚠ WARNING Read all safety warnings and all instructions.** Failure to follow the warnings and instructions may result in electric shock, fire and/or serious injury.

### Save all warnings and instructions for future reference.

The term "power tool" in the warnings refers to your mains-operated (corded) power tool or battery-operated (cordless) power tool.

#### Work area safety

1. **Keep work area clean and well lit.** Cluttered or dark areas invite accidents.
2. **Do not operate power tools in explosive atmospheres, such as in the presence of flammable liquids, gases or dust.** Power tools create sparks which may ignite the dust or fumes.
3. **Keep children and bystanders away while operating a power tool.** Distractions can cause you to lose control.

#### Electrical Safety

4. **Power tool plugs must match the outlet. Never modify the plug in any way. Do not use any adapter plugs with earthed (grounded) power tools.** Unmodified plugs and matching outlets will reduce risk of electric shock.
5. **Avoid body contact with earthed or grounded surfaces such as pipes, radiators, ranges and refrigerators.** There is an increased risk of electric shock if your body is earthed or grounded.
6. **Do not expose power tools to rain or wet conditions.** Water entering a power tool will increase the risk of electric shock.
7. **Do not abuse the cord. Never use the cord for carrying, pulling or unplugging the power tool. Keep cord away from heat, oil, sharp edges or moving parts.** Damaged or entangled cords increase the risk of electric shock.
8. **When operating a power tool outdoors, use an extension cord suitable for outdoor use.** Use of a cord suitable for outdoor use reduces the risk of electric shock.
9. **If operating a power tool in a damp location is unavoidable, use a ground fault circuit interrupter (GFCI) protected supply.** Use of an GFCI reduces the risk of electric shock.

#### Personal Safety

10. **Stay alert, watch what you are doing and use common sense when operating a power tool. Do not use a power tool while you are tired or under the influence of drugs, alcohol or medication.** A moment of inattention while operating power tools may result in serious personal injury.
  11. **Use personal protective equipment. Always wear eye protection.** Protective equipment such as dust mask, non-skid safety shoes, hard hat, or hearing protection used for appropriate conditions will reduce personal injuries.
  12. **Prevent unintentional starting. Ensure the switch is in the off-position before connecting to power source and/or battery pack, picking up or carrying the tool.** Carrying power tools with your finger on the switch or energising power tools that have the switch on invites accidents.
  13. **Remove any adjusting key or wrench before turning the power tool on.** A wrench or a key left attached to a rotating part of the power tool may result in personal injury.
  14. **Do not overreach. Keep proper footing and balance at all times.** This enables better control of the power tool in unexpected situations.
  15. **Dress properly. Do not wear loose clothing or jewellery. Keep your hair, clothing, and gloves away from moving parts.** Loose clothes, jewellery or long hair can be caught in moving parts.
  16. **If devices are provided for the connection of dust extraction and collection facilities, ensure these are connected and properly used.** Use of dust collection can reduce dust-related hazards.
- #### Power tool use and care
17. **Do not force the power tool. Use the correct power tool for your application.** The correct power tool will do the job better and safer at the rate for which it was designed.
  18. **Do not use the power tool if the switch does not turn it on and off.** Any power tool that cannot be controlled with the switch is dangerous and must be repaired.
  19. **Disconnect the plug from the power source and/or the battery pack from the power tool before making any adjustments, changing accessories, or storing power tools.** Such preventive safety measures reduce the risk of starting the power tool accidentally.

20. **Store idle power tools out of the reach of children and do not allow persons unfamiliar with the power tool or these instructions to operate the power tool.** Power tools are dangerous in the hands of untrained users.
21. **Maintain power tools. Check for misalignment or binding of moving parts, breakage of parts and any other condition that may affect the power tool's operation. If damaged, have the power tool repaired before use.** Many accidents are caused by poorly maintained power tools.
22. **Keep cutting tools sharp and clean.** Properly maintained cutting tools with sharp cutting edges are less likely to bind and are easier to control.
23. **Use the power tool, accessories and tool bits etc. in accordance with these instructions, taking into account the working conditions and the work to be performed.** Use of the power tool for operations different from those intended could result in a hazardous situation.

## Service

24. **Have your power tool serviced by a qualified repair person using only identical replacement parts.** This will ensure that the safety of the power tool is maintained.
25. **Follow instruction for lubricating and changing accessories.**
26. **Keep handles dry, clean and free from oil and grease.** USE PROPER EXTENSION CORD. Make sure your extension cord is in good condition. When using an extension cord, be sure to use one heavy enough to carry the current your product will draw. An undersized cord will cause a drop in line voltage resulting in loss of power and overheating. Table 1 shows the correct size to use depending on cord length and nameplate ampere rating. If in doubt, use the next heavier gage. The smaller the gage number, the heavier the cord.

Table 1: Minimum gage for cord

Ampere Rating		Volts	Total length of cord in feet			
		120V	25 ft.	50 ft.	100 ft.	150 ft.
		220V - 240V	50 ft.	100 ft.	200 ft.	300 ft.
More Than	Not More Than	AWG				
0	6	/	18	16	16	14
6	10		18	16	14	12
10	12		16	16	14	12
12	16		14	12	Not Recommended	

## HEDGE TRIMMER SAFETY WARNINGS

1. **Keep all parts of the body away from the cutter blade. Do not remove cut material or hold material to be cut when blades are moving. Make sure the switch is off when clearing jammed material. Blades coast after turn off.** A moment of inattention while operating the hedge trimmer may result in serious personal injury.
2. **Carry the hedge trimmer by the handle with the cutter blade stopped.** Proper handling of the hedge trimmer will reduce possible personal injury from the cutter blades.
3. **Hold the power tool by insulated gripping surfaces only, because the cutter blade may contact hidden wiring or its own cord.** Cutter blades contacting a "live" wire may make exposed metal parts of the power tool "live" and could give the operator an electric shock.
4. **Keep cable away from cutting area.** During operation the cable may be hidden in shrubs and can be accidentally cut by the blade.
5. **DANGER - Keep hands away from blade.** Contact with blade will result in serious personal injury.
6. Do not use the hedge trimmer in the rain or in wet or very damp conditions. The electric motor is not waterproof.
7. First-time users should have an experienced hedge trimmer user show them how to use the trimmer.
8. The hedge trimmer must not be used by children or young persons under 18 years of age. Young persons over 16 years of age may be exempted from this restriction if they are undergoing training under the supervision of an expert.
9. Use the hedge trimmer only if you are in good physical condition. If you are tired, your attention will be reduced. Be especially careful at the end of a working day. Perform all work calmly and carefully. The user is responsible for all damages to third parties.
10. Check to make sure that the voltage and frequency of the power supply correspond to the specifications given on the identification plate. We recommend the use of a residual-current-operated circuit breaker (ground-fault circuit interrupter) with a tripping current of 30 mA or less, or an earth leakage current protector.
11. Work gloves of stout leather are part of the basic equipment of the hedge trimmer and must always be worn when working with it. Also wear sturdy shoes with anti-skid soles.
12. Before starting work check to make sure that the trimmer is in good and safe working order. Ensure guards are fitted properly. Check cable for damage before starting work and replace if necessary. The hedge trimmer must not be used unless fully assembled.
13. Keep cable away from the cutting area. Always work in such a way that the extension power cord is behind you.
14. Remove plug from the mains immediately if cable is damaged or cut.
15. Make sure you have a secure footing before starting operation.
16. Hold the tool firmly when using the tool.
17. Do not operate the tool at no-load unnecessarily.









18. Immediately switch off the motor and unplug the mains plug if the cutter should come into contact with a fence or other hard object. Check the cutter for damage, and if damaged repair immediately.
19. Before checking the cutter, taking care of faults, or removing material caught in the cutter, always switch off the trimmer and unplug the mains plug.
20. Switch off the trimmer and disconnect and secure the mains plug before doing any maintenance work.
21. When moving the hedge trimmer to another location, including during work, always unplug the mains plug and put the blade cover on the cutter blades. Never carry or transport the trimmer with the cutter running. Never grasp the cutter with your hands.
22. Clean the hedge trimmer and especially the cutter after use, and before putting the trimmer into storage for extended periods. Lightly oil the cutter and put on the cover. The cover supplied with the unit can be hung on the wall, providing a safe and practical way to store the hedge trimmer.
23. Store the hedge trimmer with the cover on, in a dry room. Keep it out of reach of children. Never store the trimmer outdoors.
24. **To reduce the risk of disconnection of hedge trimmer cord from the extension cord during operating, use the hook complete described in this manual.**
25. **If the power cord is damaged, disconnect the mains plug.**
26. **First Aid** - For the event of a possible accident, please make sure that a first aid kit is always immediately available close by. Immediately replace any items used from the first aid box.

## SAVE THESE INSTRUCTIONS.

**⚠WARNING: DO NOT let comfort or familiarity with product (gained from repeated use) replace strict adherence to safety rules for the subject product. MISUSE or failure to follow the safety rules stated in this instruction manual may cause serious personal injury.**

## Symbols

The followings show the symbols used for tool.

	volts
	amperes
	hertz
	alternating current
	no load speed
	Class II Construction
	revolutions or reciprocation per minute
	

**⚠WARNING: Use of this product can create dust containing chemicals which may cause respiratory or other illnesses.**

Some examples of these chemicals are compounds found in pesticides, insecticides, fertilizers and herbicides.

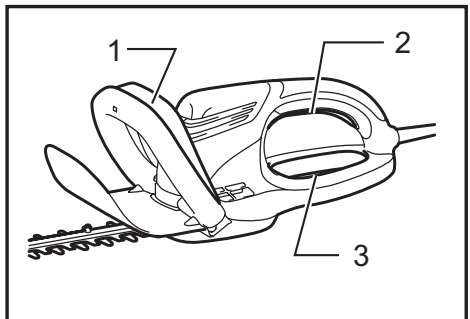
Your risk from these exposures varies, depending on how often you do this type of work. To reduce your exposure to these chemicals: work in a well ventilated area, and work with approved safety equipment, such as those dust masks that are specially designed to filter out microscopic particles.

## FUNCTIONAL DESCRIPTION

**⚠CAUTION:**

- Always be sure that the tool is switched off and unplugged before adjusting or checking function on the tool.

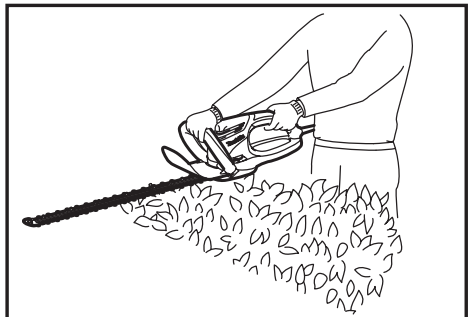
## Switch action



► 1. Switch trigger B 2. Switch trigger A 3. Switch trigger C

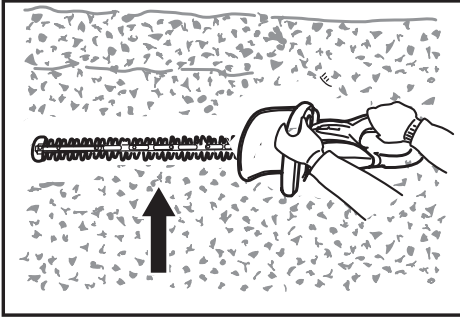
For your safety, this tool is equipped with a triple switching system. To turn on the tool, press two out of three triggers A, B and C. Release either one of the two pressed triggers to turn off. The sequence of switching is unimportant as the tool only starts when both switches are activated.

## Straight cut



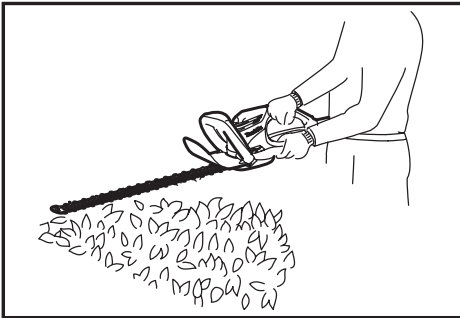
To trim the hedge straight, pull triggers A and B.

## Vertical cut



Cut upwards with both hands pull the switch triggers B and C and move it in front of your body.

## Far area cut



To trim the hedge in far area with both hands pull the switch triggers A and C.

## ASSEMBLY

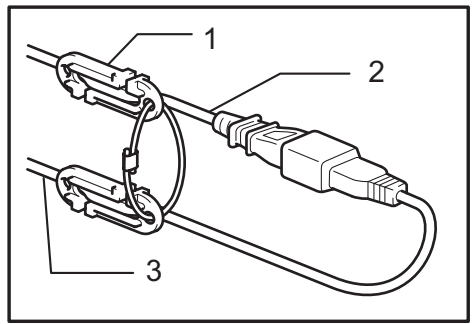
### ⚠ CAUTION:

- Always be sure that the tool is switched off and unplugged before carrying out any work on the tool.

## Engage the extension cord

### ⚠ CAUTION:

- Make sure that the extension cord is unplugged to the mains outlet.



► 1. Hook complete 2. Extension cord 3. Tool's cord

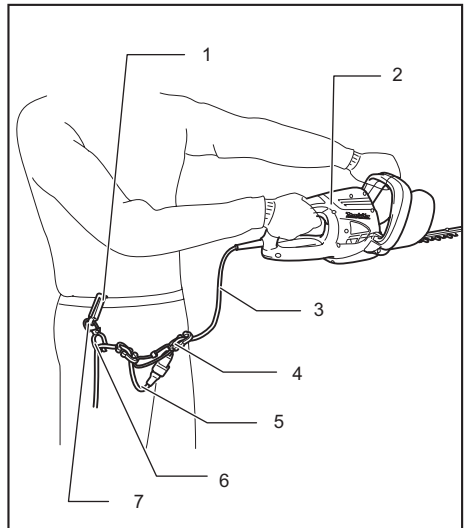
When engaging the extension cord, secure it to the tool's cord with the hook complete. Attach the hook about 100 - 200 mm from the extension cord connector. This will help prevent unintentional disconnection.

## Waist cord hook

### ⚠ CAUTION:

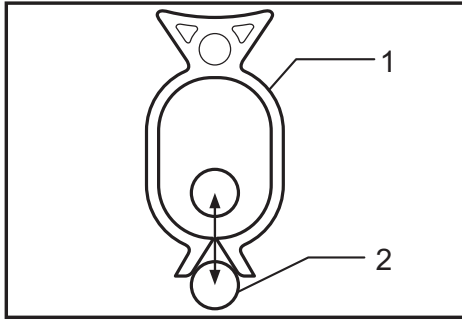
- Do not attach the holder of waist cord hook to other than the extension cord. Do not attach it in a position closer to the tool beyond the hook complete. Failure to do so may cause an accident or personal injury.
- When using the waist cord hook, use the extension cord as a standard equipment. Using an extension cord available in the market may cause an accident or injury.
- Attach firmly one hook of the hook complete to the tool's cord and the other hook of hook complete to the extension cord. Working with the tool with a sole hook only attached may cause an accident and injury.

Using the waist cord hook helps to minimizing a risk of cutting off the extension cord unexpectedly caused by the loose extension cord.



► 1. Hook 2. Tool 3. Tool's cord 4. Hook complete 5. Extension cord 6. Holder 7. Waist cord hook

Press in or pull out the cord through the opening of the holder.



► 1. Holder 2. Cord

**CAUTION:**

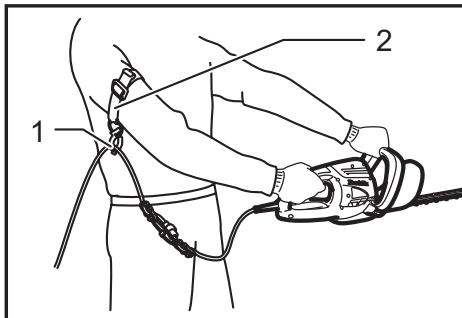
- Do not force the opening of the holder. Failure to do so may cause deflection and damage to it.

**Arm cord hook (Accessory)**

**CAUTION:**

- Do not attach the holder of arm cord hook to other than the extension cord. Do not attach it in a position closer to the tool beyond the hook complete hooks. Failure to do so may cause an accident or personal injury.
- When using the arm cord hook, use the extension cord as a standard equipment. Using an extension cord available in the market may cause an accident or injury.
- Attach firmly one hook of the hook complete to the tool's cord and the other hook of hook complete to the extension cord. Working with the tool with a sole hook only attached may cause an accident or injury.

Using the arm cord hook helps to minimize a risk of cutting off the extension cord unexpectedly caused by the loose extension cord.



► 1. Holder 2. Arm cord hook

Attach firmly the arm cord hook placing around your arm and pass the extension cord through the holder. The length of the arm cord hook band is adjustable.

**NOTE:**

- Do not pass the extension cord through the band.
- Do not force the opening of the holder. Failure to do so may cause deflection and damage to it.
- Using the arm cord hook together with the waist cord hook is more helpful.

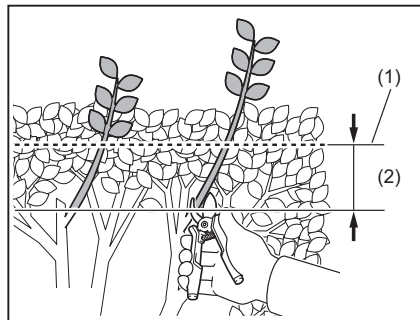
**OPERATION**

Refer to the Important Safety Instructions before operation.

**CAUTION:**

- When operating the trimmer, keep extension cord behind trimmer. Never drape it over hedge being trimmed.
- Be careful not to accidentally contact a metal fence or other hard objects while trimming. The blade will break and may cause serious injury.
- Overreaching with a hedge trimmer, particularly from a ladder, is extremely dangerous. Do not work from anything wobbly or infirm.

**NOTICE:** Do not attempt to cut branches thicker than 10 mm (3/8") in diameter with the tool. Cut branches to 10 cm (4") lower than the cutting height using branch cutters before using the tool.

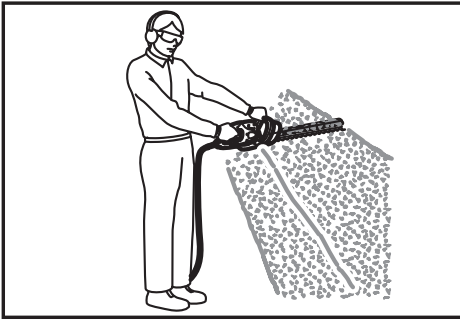


► (1) Cutting height (2) 10 cm (4")

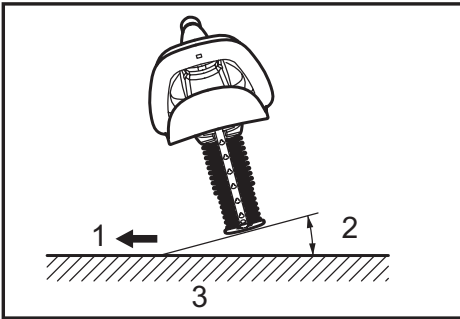
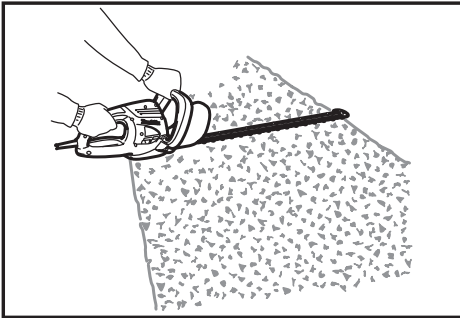
**CAUTION:**

- Do not cut off dead trees or similar hard objects. Failure to do so may damage the tool.

Hold the trimmer with both hands pull the switch trigger A or B and move it in front of your body.

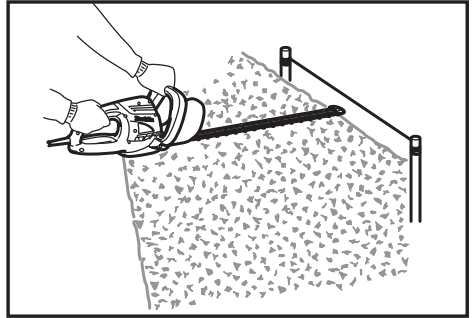


When operating the hedge trimmer, keep extension cord behind trimmer. As a basic operation, tilt the blades towards the trimming direction and move it calmly and slowly at the speed rate of 3 - 4 seconds per meter.

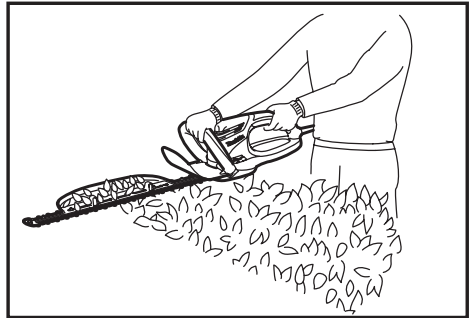


► 1. Trimming direction 2. Tilt the blades 3. Hedge surface to be trimmed

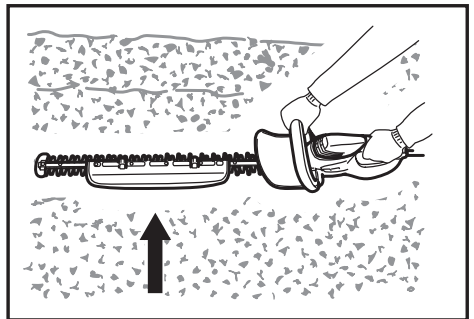
To cut a hedge top evenly, it helps to tie a string at the desired hedge height and to trim along it, using it as a reference line.



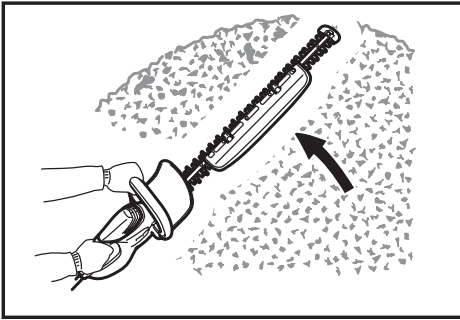
Attaching the chip receiver (accessory) on the tool when trimming the hedge straight can avoid cut off leaves' being thrown away.



To cut a hedge side evenly, it helps to cut from the bottom upwards.



Trim boxwood or rhododendron from the base toward the top for a nice appearance and good job.



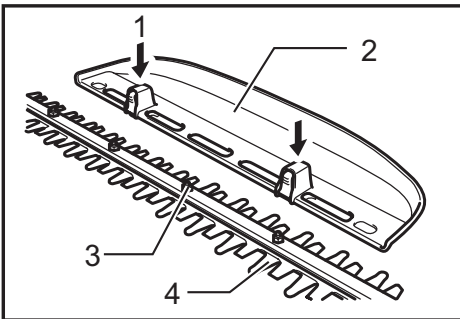
## Installing or removing chip receiver (accessory)

### ⚠ CAUTION:

- Always be sure that the tool is switched off and unplugged before installing or removing chip receiver.

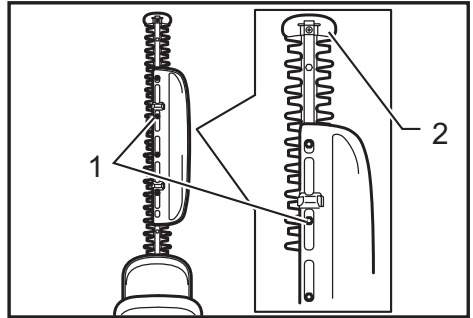
### NOTE:

- When replacing the chip receiver, always wear gloves so that hands and face does not directly contact the blade. Failure to do so may cause personal injury.
- Always be sure to remove the blade cover before installing the chip receiver.
- The chip receiver receives cut-off leaves and alleviates collecting thrown-away leaves. This can be installed on either side of the tool.



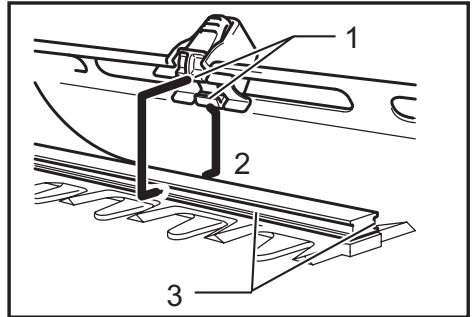
- 1. Press 2. Chip receiver 3. Nut 4. Shear blade

Press the chip receiver on the shear blades so that its slits overlap with the nuts on the shear blades. At this time, make sure that the chip receiver does not contact branch catcher at the top of the shear blades.



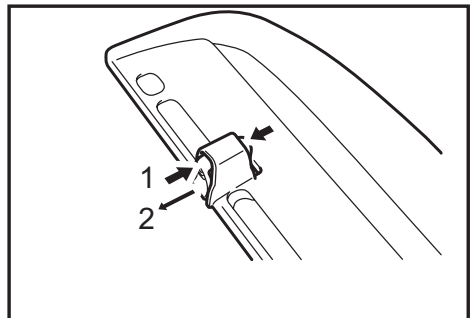
- 1. Nut 2. Branch catcher

At this time, the chip receiver needs to be installed so that its hooks fit into grooves in the shear blade unit.



- 1. Hooks 2. Fit the hooks into groove 3. Grooves

To remove the chip receiver, press its lever on both sides so that the hooks are unlocked.



- 1. Press the levers on both sides 2. Unlock the hooks

### ⚠ CAUTION:

- The blade cover (standard equipment) cannot be installed on the tool with the chip receiver being installed. Before carrying or storing, uninstall the chip receiver and then install the blade cover to avoid blade exposure.



**NOTE:**

- Check the chip receiver for secure installment before use.
- Never try to uninstall the chip receiver by an excessive force with its hooks locked in the blade unit grooves. Using the excessive force may damage it.

## MAINTENANCE

**CAUTION:**

- Always be sure that the tool is switched off and unplugged before attempting to perform inspection or maintenance.

### Cleaning the tool

Clean out the tool by wiping off dust with a dry or soap-dipped rag.

**CAUTION:**

- Never use gasoline, benzene, thinner, alcohol or the like. Discoloration, deformation or cracks may result.

### Blade maintenance

Smear the blade before and once per hour during operation using machine oil or similars.

After operation, remove dust from both sides of the blade with wired brush, wipe off it with a rag and then apply enough low-viscosity oil, such as machine oil etc. and spray-type lubricating oil.

**CAUTION:**

- Do not wash the blades in water. Failure to do so may cause rust or damage on the tool.

### Removing or installing shear blade

**CAUTION:**

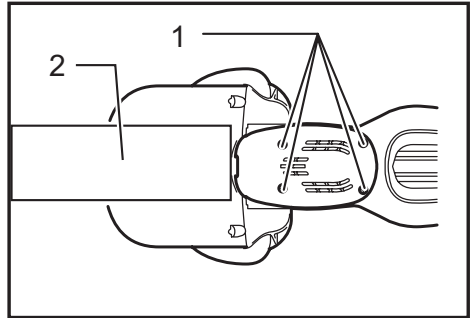
- Before removing or installing shear blade, always be sure that the tool is switched off and unplugged.
- When replacing the shear blade, always wear gloves without removing blade cover so that hands and face does not directly contact the blade. Failure to do so may cause personal injury.

**NOTE:**

- Do not wipe off grease from the gear and crank. Failure to do so may cause damage to the tool.
- For specific way of removing and installing shear blades refer to the reverse of a package for accessory shear blades.

### Removing the shear blades

Reverse the tool and loosen four screws.

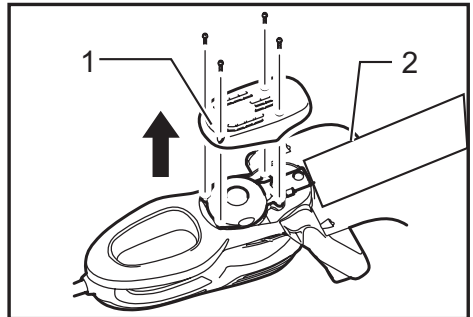


► 1. Screws 2. Blade cover

**NOTE:**

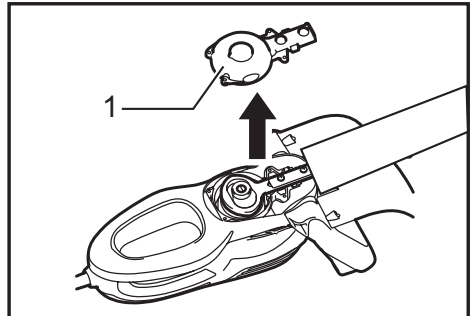
- Be careful not to get your hands dirty as grease is applied in the shear blade driving area.

Remove the under cover.



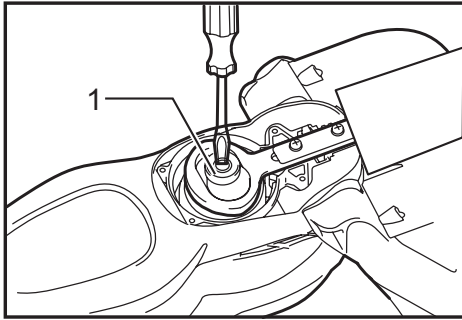
► 1. Under cover 2. Blade cover

Remove the gear housing cover.



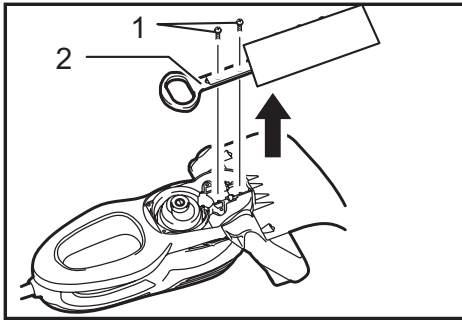
► 1. Gear housing cover

Set the crank at the angle as shown in the figure with a slotted bit screwdriver.



► 1. Crank

Remove two screws from the shear blades and the shear blade unit will be taken out.



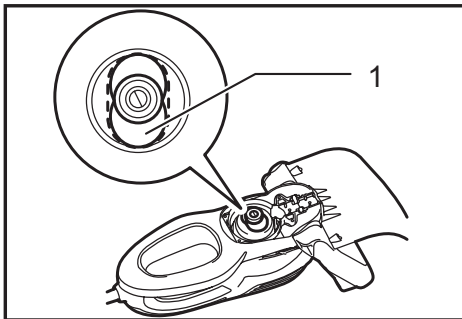
► 1. Screws 2. Shear blade

**CAUTION:**

- Return the gear to the original position in such a manner as it was installed if it should be taken away by mistake.

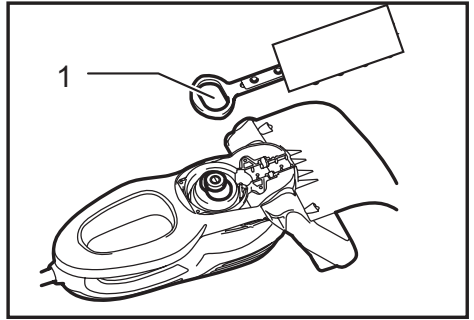
**Installing the shear blade**

Prepare 4 removed screws (For under cover), 2 screws (For shear blade), gear housing cover, under cover, and new shear blades. Adjust the crank position as shown in the figure. At this time, apply some grease provided with new shear blades to the periphery of the crank.



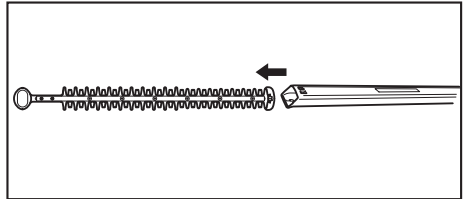
► 1. Crank

Overlap the oval hole in the upper blade with that in the lower one.

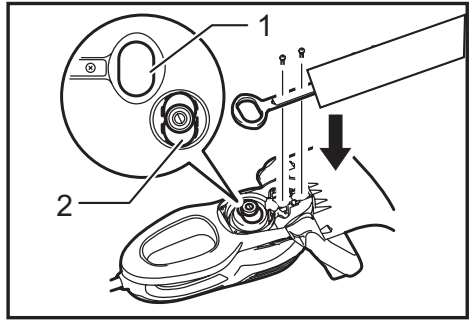


► 1. Ellipse of shear blade

Take out the blade cover from the old shear blades and fit it onto the new ones for easy handling during the replacement of blades.

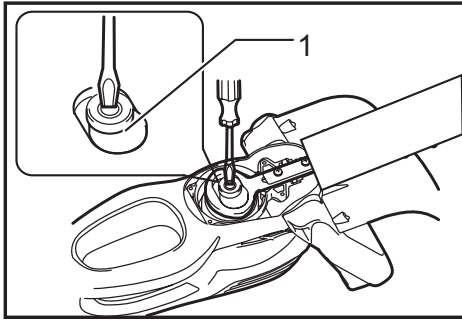


Place the new shear blades on the tool so that the oval holes in the shear blades fit onto the crank. Overlap the holes in the shear blades with the screw holes in the tool and then secure them with two screws.



► 1. Ellipse of shear blade 2. Crank

Check the crank for smooth turn with a slotted bit screwdriver.



► 1. Crank

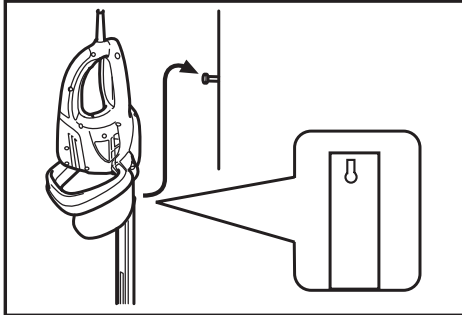
Install the gear housing, under cover on the tool. Tighten the screw firmly. Remove the blade cover and then turn on the tool to check it for proper movement.

**NOTE:**

- When the shear blades does not operate properly, there is a poor fit between the blades and crank. Redo from the beginning.

## Storage

The hook hole in the bottom of the blade cover is convenient for hanging the tool from a nail or screw on the wall.



Put the blade cover on the shear blades so that the blades are not exposed. Store the tool out of the reach of children carefully.

Store the tool in the place not exposed to water and rain.

To maintain product SAFETY and RELIABILITY, repairs, carbon brush inspection and replacement, any other maintenance or adjustment should be performed by Makita Authorized Service Centers, always using Makita replacement parts.

## OPTIONAL ACCESSORIES

**⚠ CAUTION:**

- These accessories or attachments are recommended for use with your Makita tool specified in this manual. The use of any other accessories or attachments might present a risk of injury to persons. Only use accessory or attachment for its stated purpose.

If you need any assistance for more details regarding these accessories, ask your local Makita Service Center.

- Extension cord
- Blade cover
- Hook complete
- Shear blade assembly
- Waist cord hook
- Arm cord hook

**NOTE:**

- Some items in the list may be included in the tool package as standard accessories. They may differ from country to country.

## MAKITA LIMITED WARRANTY

Please refer to the annexed warranty sheet for the most current warranty terms applicable to this product. If annexed warranty sheet is not available, refer to the warranty details set forth at below website for your respective country.

United States of America: [www.makitatools.com](http://www.makitatools.com)

Canada: [www.makita.ca](http://www.makita.ca)

Other countries: [www.makita.com](http://www.makita.com)

## SPÉCIFICATIONS

Modèle	UH5570	UH6570
Longueur de la lame	550 mm (21 - 5/8")	650 mm (25 - 5/8")
Nombre d'impacts par minute	1 600 /min	1 600 /min
Longueur totale	1 031 mm (40 - 1/2")	1 136 mm (44 - 3/4")
Poids net	3,7 kg (8,2 lbs)	3,8 kg (8,4 lbs)

- Étant donné l'évolution constante de notre programme de recherche et de développement, les spécifications contenues dans ce manuel sont sujettes à modification sans préavis.
- Les spécifications peuvent varier suivant les pays.
- Poids conforme à la procédure EPTA du 01/2003

### Consignes de sécurité générales pour outils électriques

**⚠ MISE EN GARDE** Veuillez lire toutes les mises en garde de sécurité et toutes les instructions. L'ignorance des mises en garde et des instructions comporte un risque de choc électrique, d'incendie et/ou de blessure grave.

### Conservez toutes les mises en garde et instructions pour référence future.

Le terme « outil électrique » qui figure dans les avertissements fait référence à un outil électrique branché sur une prise de courant (par un cordon d'alimentation) ou alimenté par batterie (sans fil).

#### Sécurité de la zone de travail

1. **Maintenez la zone de travail propre et bien éclairée.** Les zones de travail encombrées ou sombres ouvrent grande la porte aux accidents.
2. **N'utilisez pas les outils électriques dans les atmosphères explosives, par exemple en présence de liquides, gaz ou poussières inflammables.** Les outils électriques produisent des étincelles au contact desquelles la poussière ou les vapeurs peuvent s'enflammer.
3. **Assurez-vous qu'aucun enfant ou curieux ne s'approche pendant que vous utilisez un outil électrique.** Vous risquez de perdre la maîtrise de l'outil si votre attention est détournée.

#### Sécurité en matière d'électricité

4. **Les fiches d'outil électrique sont conçues pour s'adapter parfaitement aux prises de courant. Ne modifiez jamais la fiche de quelque façon que ce soit. N'utilisez aucun adaptateur de fiche sur les outils électriques avec mise à la terre.** En ne modifiant pas les fiches et en les insérant dans des prises de courant pour lesquelles elles ont été conçues vous réduirez les risques de choc électrique.
5. **Évitez tout contact corporel avec les surfaces mises à la terre, telles que les tuyaux, radiateurs, cuisinières et réfrigérateurs.** Le risque de choc électrique est plus élevé si votre corps se trouve mis à la terre.

6. **N'exposez pas les outils électriques à la pluie ou à l'eau.** La présence d'eau dans un outil électrique augmente le risque de choc électrique.
7. **Ne maltraitez pas le cordon. N'utilisez jamais le cordon pour transporter, tirer ou débrancher l'outil électrique. Maintenez le cordon à l'écart des sources de chaleur, de l'huile, des objets à bords tranchants et des pièces en mouvement.** Le risque de choc électrique est plus élevé lorsque les cordons sont endommagés ou enchevêtrés.
8. **Lorsque vous utilisez un outil électrique à l'extérieur, utilisez un cordon prolongateur prévu à cette fin.** Les risques de choc électrique sont moindres lorsqu'un cordon conçu pour l'extérieur est utilisé.
9. **Si vous devez utiliser un outil électrique dans un endroit humide, utilisez une source d'alimentation protégée par un disjoncteur de fuite à la terre.** L'utilisation d'un disjoncteur de fuite à la terre réduit le risque de choc électrique.

#### Sécurité personnelle

10. **Restez alerte, attentif à vos mouvements et faites preuve de bon sens lorsque vous utilisez un outil électrique. Évitez d'utiliser un outil électrique si vous êtes fatigué ou si vous avez pris une drogue, de l'alcool ou un médicament.** Un moment d'inattention pendant l'utilisation d'un outil électrique peut entraîner une grave blessure.
11. **Portez des dispositifs de protection personnelle. Portez toujours un protecteur pour la vue.** Les risques de blessure seront moins élevés si vous utilisez des dispositifs de protection tels qu'un masque antipoussières, des chaussures à semelle antidérapante, une coiffure résistante ou une protection d'oreilles.
12. **Évitez les démarrages accidentels. Assurez-vous que l'interrupteur soit en position d'arrêt avant de brancher l'outil à la prise électrique et/ou au bloc-piles, avant de prendre ou de transporter l'outil.** Vous ouvrez la porte aux accidents si vous transportez les outils électriques avec le doigt sur l'interrupteur ou si vous les branchez alors que l'interrupteur est en position de marche.
13. **Retirez toute clé de réglage ou de serrage avant de mettre l'outil sous tension.** Toute clé laissée en place sur une pièce rotative de l'outil électrique peut entraîner une blessure.

14. **Maintenez une bonne position. Assurez-vous d'une bonne prise au sol et d'une bonne position d'équilibre en tout temps.** Cela vous permettra d'avoir une meilleure maîtrise de l'outil dans les situations imprévues.
15. **Portez des vêtements adéquats. Ne portez ni vêtements amples ni bijoux. Vous devez maintenir cheveux, vêtements et gants à l'écart des pièces en mouvement.** Les pièces en mouvement peuvent happer les vêtements amples, les bijoux et les cheveux longs.
16. **Si des accessoires sont fournis pour raccorder un appareil d'aspiration et de collecte de la poussière, assurez-vous qu'ils sont correctement raccordés et qu'ils sont utilisés de manière adéquate.** L'utilisation d'un appareil d'aspiration permet de réduire les risques liés à la présence de poussière dans l'air.
21. **Veillez à l'entretien des outils électriques. Assurez-vous que les pièces mobiles ne sont pas désalignées ou coincées, qu'aucune pièce n'est cassée et que l'outil électrique n'a subi aucun dommage affectant son bon fonctionnement. Le cas échéant, faites réparer l'outil électrique avant de l'utiliser.** De nombreux accidents sont causés par des outils électriques mal entretenus.
22. **Maintenez les outils tranchants bien aiguisés et propres.** Un outil tranchant dont l'entretien est effectué correctement et dont les bords sont bien aiguisés risquera moins de se coincer et sera plus facile à maîtriser.
23. **Utilisez l'outil électrique, ses accessoires, ses embouts, etc., en respectant les présentes instructions, en tenant compte des conditions de travail et du type de travail à effectuer.** L'utilisation d'un outil électrique à des fins autres que celles prévues peut entraîner une situation dangereuse.

#### Utilisation et entretien des outils électriques

17. **Ne forcez pas l'outil électrique. Utilisez l'outil électrique adéquat suivant le type de travail à effectuer.** Si vous utilisez l'outil électrique adéquat et respectez le régime pour lequel il a été conçu, il effectuera un travail de meilleure qualité et de façon plus sécuritaire.
18. **N'utilisez pas l'outil électrique s'il n'est pas possible de mettre sa gâchette en position de marche et d'arrêt.** Un outil électrique dont l'interrupteur est défectueux représente un danger et doit être réparé.
19. **Débranchez la fiche de la source d'alimentation et/ou retirez le bloc-piles de l'outil électrique avant d'effectuer tout réglage, de changer un accessoire ou de ranger l'outil électrique.** De telles mesures préventives réduisent les risques de démarrage accidentel de l'outil électrique.
20. **Après l'utilisation d'un outil électrique, rangez-le hors de portée des enfants et ne laissez aucune personne l'utiliser si elle n'est pas familiarisée avec l'outil électrique ou les présentes instructions d'utilisation.** Les outils électriques représentent un danger entre les mains de personnes qui n'en connaissent pas le mode d'utilisation.

#### Réparation

24. **Faites réparer votre outil électrique par un réparateur qualifié qui utilise des pièces de rechange identiques aux pièces d'origine.** Le maintien de la sûreté de l'outil électrique sera ainsi assuré.
25. **Suivez les instructions de lubrification et de changement des accessoires.**
26. **Maintenez les poignées de l'outil sèches, propres et exemptes d'huile ou de graisse.**  
 UTILISEZ UN CORDON PROLONGATEUR APPROPRIÉ. Assurez-vous que votre cordon prolongateur est en bonne condition. Lorsque vous utilisez un cordon prolongateur, assurez-vous qu'il est assez robuste pour transporter le courant exigé par le produit. Un cordon qui est trop petit entraînera une baisse dans la tension composée, ce qui causera une perte d'énergie et un surchauffage. Le tableau 1 indique la dimension de cordon à utiliser, en fonction de la longueur du cordon et de l'intensité nominale figurant sur la plaque signalétique. En cas de doute, utilisez un cordon plus robuste. Plus le numéro de calibre est bas, plus le cordon est robuste.

Tableau 1. Gabarit minimum du cordon

Intensité nominale		Volts	Longueur totale du cordon en pieds			
		120V	25 pi	50 pi	100 pi	150 pi
		220V - 240V	50 pi	100 pi	200 pi	300 pi
Plus de	Pas plus de	Calibre américain des fils				
0	6	/	18	16	16	14
6	10		18	16	14	12
10	12		16	16	14	12
12	16		14	12	Non recommandé	

## CONSIGNES DE SÉCURITÉ POUR LE TAILLE-HAIE



- Toutes les parties du corps doivent être tenues à l'écart de la lame. N'enlevez pas le matériau coupé et ne tenez pas le matériau à couper lorsque les lames sont en mouvement. Assurez-vous que l'interrupteur est à la position d'arrêt lorsque vous devez enlever le matériau coincé dans les lames. Les lames continuent de tourner après l'arrêt de l'appareil.** Tout moment de distraction durant l'utilisation du taille-haie peut provoquer des blessures graves.
- Transportez le taille-haie en le tenant par la poignée, seulement lorsque la lame est arrêtée.** En manipulant le taille-haie adéquatement, vous réduisez le risque de blessures causées par les lames.
- Tenez l'outil par ses surfaces de prise isolées seulement, car la lame pourrait venir en contact avec un câblage dissimulé ou avec son propre cordon.** En cas de contact avec un conducteur sous tension, les pièces métalliques à découvert de l'outil pourraient devenir sous tension et risqueraient de transmettre une décharge électrique à l'utilisateur.
- Tenez le cordon à l'écart de la zone de coupe.** Durant l'utilisation de l'outil, le cordon pourrait s'enfouir dans les arbustes et risque d'être coupé accidentellement par la lame.
- DANGER - Gardez les mains à l'écart de la lame.** Le contact avec la lame peut provoquer des blessures graves.
- Ne pas utiliser le taille-haie sous la pluie ou dans des conditions très humides. Le moteur électrique n'est pas résistant à l'eau.
- Il est recommandé aux personnes utilisant le taille-haie pour la première fois de demander à un utilisateur expérimenté de leur montrer comment l'utiliser.
- Le taille-haie ne doit pas être utilisé par des enfants ou des mineurs. Les mineurs de plus de 16 ans ne sont pas soumis à cette restriction s'ils suivent une formation supervisée par un spécialiste.
- Utilisez le taille-haie seulement si vous êtes en bonne forme physique. Si vous êtes fatigué, vous serez moins attentif. Soyez tout particulièrement prudent après une journée de travail. Manipulez délicatement et soigneusement la machine. L'utilisateur est responsable pour tout dommage causé à un tiers.
- Assurez-vous que la tension et la fréquence de l'alimentation correspondent aux spécifications indiquées sur la plaque signalétique. Il est recommandé d'utiliser un disjoncteur courant résiduel (interrupteur de circuit de défaut de la terre) avec un courant de déclenchement de 30 mA ou inférieur, ou un disjoncteur de fuite à la terre.
- Des gants de travail en cuir épais font partie de l'équipement de base du taille-haie et vous devez toujours les porter lorsque vous travaillez avec cet outil. Portez également des chaussures robustes avec des semelles anti-dérapantes.
- Avant de commencer le travail, assurez-vous que le taille-haie est en état pour fonctionner de manière adéquate et sécuritaire. Vérifiez si les protecteurs sont correctement installés. Vérifiez si le cordon est endommagé avant de commencer l'utilisation, et remplacez-le au besoin. Le taille-haie ne doit pas être utilisé s'il n'est pas complètement assemblé.
- Tenez le cordon à l'écart de la zone de coupe. Travaillez toujours de manière à ce que le cordon prolongateur se trouve derrière vous.
- Débranchez immédiatement la prise de l'alimentation électrique si le cordon est endommagé ou coupé.
- Assurez-vous d'être bien stable sur vos pieds avant de commencer.
- Tenez fermement l'outil lorsque vous l'utilisez.
- Ne faites pas tourner inutilement l'outil à vide.
- Coupez immédiatement le moteur et débranchez la prise de l'alimentation électrique si la lame entre en contact avec une clôture ou un autre objet dur. Vérifiez si la lame est endommagée et, le cas échéant, réparez-la immédiatement.
- Avant de vérifier l'état de la lame, de remédier à des défaillances ou de retirer le matériau coincé dans la lame, assurez-vous que l'interrupteur est à la position d'arrêt et débranchez la prise de l'alimentation électrique.
- Éteignez le taille-haie et débranchez la prise de l'alimentation électrique avant d'entreprendre tout travail d'entretien.
- Lorsque vous transportez le taille-haie d'un endroit à l'autre, même en cours de travail, débranchez toujours la prise de l'alimentation électrique et placez la protection sur les lames. Ne transportez ou ne déplacez jamais le taille-haie lorsque les lames sont en mouvement. Ne prenez jamais la lame avec les mains.
- Nettoyez le taille-haie, et tout particulièrement la lame, après utilisation et avant de le ranger pour des périodes prolongées. Huilez légèrement la lame et mettez la protection. La protection fournie avec l'outil peut être accrochée au mur, offrant une manière pratique et sûre de ranger le taille-haie.
- Rangez le taille-haie avec la protection, dans une pièce sèche. Placez-le hors de portée des enfants. N'entreposez jamais le taille-haie dehors.
- Afin de réduire le risque que le cordon du taille-haie ne se débranche du cordon prolongateur durant l'utilisation de l'outil, utilisez le dispositif de retenue tel qu'illustré dans le présent manuel.**
- Si le cordon électrique est endommagé, débranchez la prise de l'alimentation électrique.**
- Premiers soins** - En cas d'accident, veuillez vous assurer qu'une trousse de premiers soins est toujours immédiatement disponible. Remplacez sans délai tout article utilisé dans la trousse de premiers soins.

**CONSERVEZ CE MODE D'EMPLOI.**

**⚠ MISE EN GARDE : NE VOUS LAISSEZ PAS tromper** (au fil d'une utilisation répétée) par un sentiment d'aisance ou de familiarité avec le produit en négligeant les consignes de sécurité qui accompagnent le produit. L'utilisation non sécuritaire ou incorrecte de cet outil comporte un risque de blessure grave.

## Symboles

Les symboles utilisés pour l'outil sont indiqués ci-dessous.

V	volts
A	ampères
Hz	hertz
	courant alternatif
n <sub>e</sub>	vitesse à vide
	construction, catégorie II
... /min	tours ou alternances par minute
r /min	

**⚠ MISE EN GARDE : L'utilisation de ce produit peut lever une poussière contenant des produits chimiques susceptibles d'entraîner des troubles respiratoires ou d'autres maladies.**

Parmi ces produits chimiques, on trouve des composants de pesticides, insecticides, engrais et herbicides.

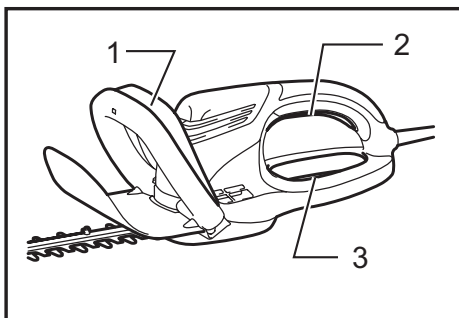
Les risques varient en fonction de la fréquence à laquelle vous utilisez l'outil. Pour réduire les risques liés à l'exposition à ces produits chimiques : travaillez dans une pièce bien ventilée et portez des dispositifs de sécurité homologués, tels que des masques antipoussières spécialement conçus pour filtrer les particules microscopiques.

## DESCRIPTION DU FONCTIONNEMENT

### ⚠ ATTENTION :

- Assurez-vous toujours que l'outil est hors tension et débranché avant de l'ajuster ou de vérifier son fonctionnement.

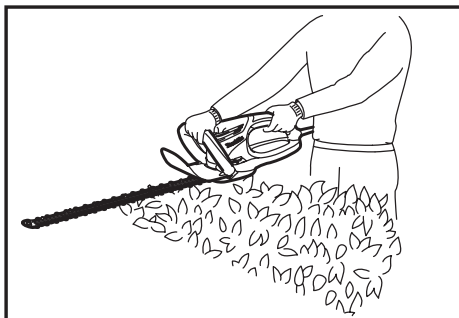
## Interrupteur



► 1. Gâchette B 2. Gâchette A 3. Gâchette C

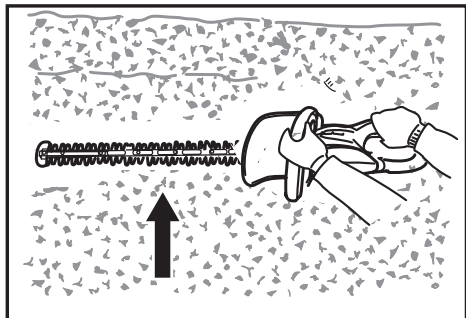
Par mesure de protection, cet outil est doté d'un système de mise en marche à trois interrupteurs. Pour mettre l'outil en marche, vous devez appuyer sur deux des trois interrupteurs, soit A, B ou C. Relâchez un des deux interrupteurs enfoncés pour éteindre l'outil. L'ordre dans lequel ces interrupteurs sont activés n'a aucune importance, puisque l'outil ne se met en marche que lorsque les deux interrupteurs sont activés.

## Coupe horizontale



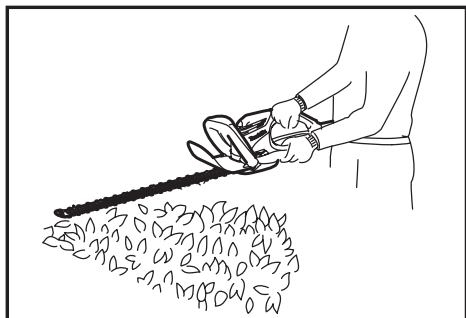
Pour tailler la haie horizontalement, tirez sur les interrupteurs A et B.

## Coupe verticale



Tailler la haie vers le haut en utilisant les deux mains; tirez sur les interrupteurs B et C et déplacez l'outil devant votre corps.

## Coupe de zones éloignées



Pour tailler une partie éloignée de la haie, utilisez les deux mains et tirez sur les interrupteurs A et C.

## ASSEMBLAGE

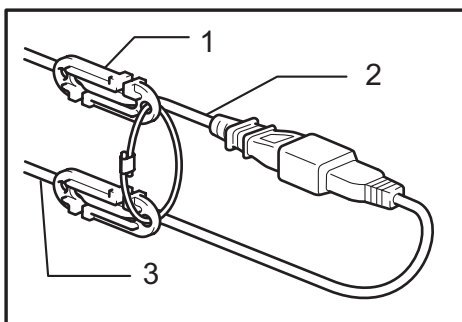
### ⚠ ATTENTION :

- Avant d'effectuer toute intervention sur l'outil, assurez-vous toujours qu'il est hors tension et débranché.

## Branchement du cordon prolongateur

### ⚠ ATTENTION :

- Assurez-vous que le cordon prolongateur n'est pas branché dans la prise principale.



- 1. Dispositif de maintien du cordon 2. Cordon prolongateur 3. Cordon de l'outil

Lorsque vous installez le cordon prolongateur, branchez-le au cordon de l'outil en utilisant le dispositif de maintien du cordon. Fixez le crochet à une distance d'environ 100 à 200 mm du connecteur du cordon prolongateur. Cette mesure permet d'éviter que le cordon ne se débranche accidentellement.

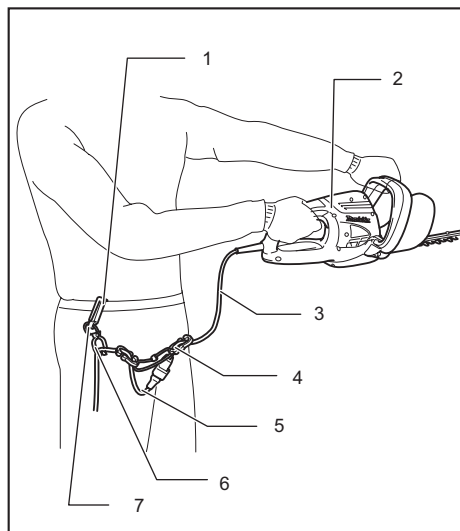
## Crochet de retenue du cordon à la taille

### ⚠ ATTENTION :

- Ne fixez pas le support du crochet de retenue du cordon à la taille à quelque autre partie qu'au cordon prolongateur. Ne le fixez pas plus près de l'outil que le dispositif de maintien du cordon. Autrement, il y a risque d'accident ou de blessure.
- Lorsque vous utilisez le crochet de retenue du cordon à la taille, utilisez le cordon prolongateur de série. L'utilisation d'un cordon prolongateur en vente sur le marché risque de provoquer un accident ou des blessures.
- Fixez fermement un crochet du dispositif de maintien au cordon de l'outil, et l'autre crochet du dispositif au cordon prolongateur. L'utilisation de l'outil avec un seul crochet fixé risque de provoquer un accident et des blessures.

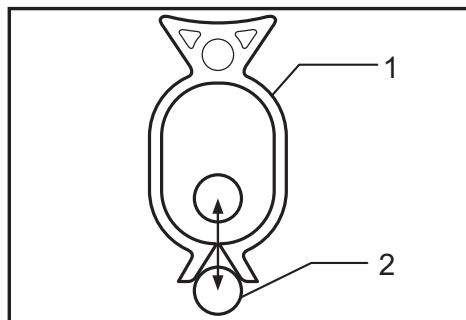


L'utilisation du crochet de retenue du cordon à la taille contribue à réduire le risque que le cordon prolongateur soit coupé accidentellement s'il est détendu.



- 1. Crochet 2. Outil 3. Cordon de l'outil 4. Dispositif de maintien du cordon 5. Cordon prolongateur 6. Support 7. Crochet de retenue du cordon à la taille

Poussez ou tirez sur le cordon pour le faire passer à travers l'ouverture du support.



- 1. Support 2. Cordon

**ATTENTION :**

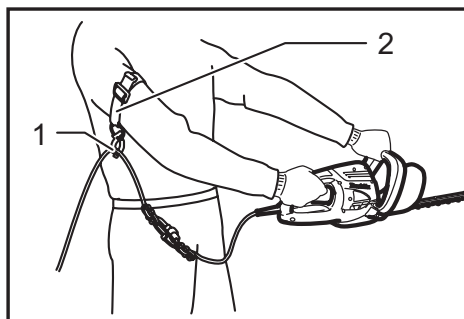
- Ne forcez pas l'ouverture du support. Dans le cas contraire, vous risquez de déformer et d'endommager celui-ci.

**Crochet de retenue du cordon au bras (accessoire)**

**ATTENTION :**

- Ne fixez pas le support du crochet de retenue du cordon au bras à quelque autre partie qu'au cordon prolongateur. Ne le fixez pas plus près de l'outil que le dispositif de maintien du cordon. Autrement, il y a risque d'accident ou de blessure.
- Lorsque vous utilisez le crochet de retenue du cordon au bras, utilisez le cordon prolongateur de série. L'utilisation d'un cordon prolongateur en vente sur le marché risque de provoquer un accident ou des blessures.
- Fixez fermement un crochet du dispositif de maintien au cordon de l'outil, et l'autre crochet du dispositif au cordon prolongateur. L'utilisation de l'outil avec un seul crochet fixé risque de provoquer un accident et des blessures.

L'utilisation du crochet de retenue du cordon au bras contribue à réduire le risque que le cordon prolongateur soit coupé accidentellement s'il est détendu.



- 1. Support 2. Crochet de retenue du cordon au bras

Attachez fermement le crochet de retenue du cordon en le plaçant autour de votre bras, et passez le cordon prolongateur dans le support. La longueur de la sangle du crochet est réglable.

**NOTE :**

- Ne faites pas passer le cordon prolongateur par la sangle.
- Ne forcez pas l'ouverture du support. Dans le cas contraire, vous risquez de déformer et d'endommager celui-ci.
- Il est encore plus utile d'utiliser le crochet de retenue du cordon au bras en association avec le crochet de retenue du cordon à la taille.

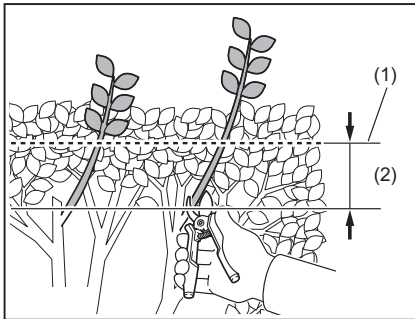
# UTILISATION

Reportez-vous aux Consignes de sécurité importantes avant l'utilisation.

## ⚠ ATTENTION :

- Lorsque vous utilisez le taille-haie, maintenez le cordon prolongateur à l'arrière de l'outil. Ne le disposez jamais sur la haie qui doit être coupée.
- Prenez soin de ne pas heurter accidentellement une clôture de métal ou d'autres objets durs avec l'outil. La lame se briserait et risquerait de provoquer des blessures graves.
- Il est extrêmement dangereux de travailler dans une position d'extension excessive avec un taille-haie, particulièrement si l'utilisateur se trouve sur une échelle. Ne travaillez pas debout sur un objet instable ou qui risque de s'effondrer.

**AVIS :** N'essayez pas de couper des branches d'un diamètre supérieur à 10 mm (3/8") avec l'outil. Avant d'utiliser l'outil, coupez d'abord les branches 10 cm (4") plus bas que la hauteur de coupe, à l'aide d'un ébrancheur.

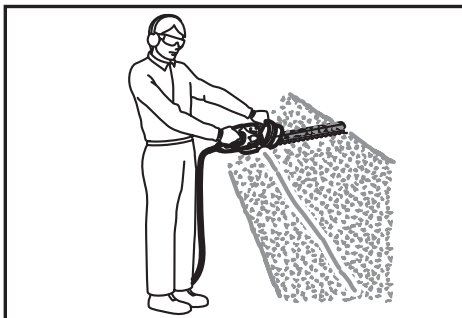


► (1) Hauteur de coupe (2) 10 cm (4")

## ⚠ ATTENTION :

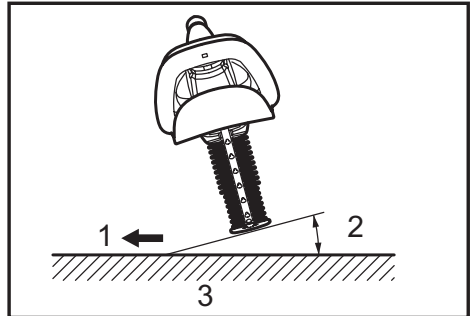
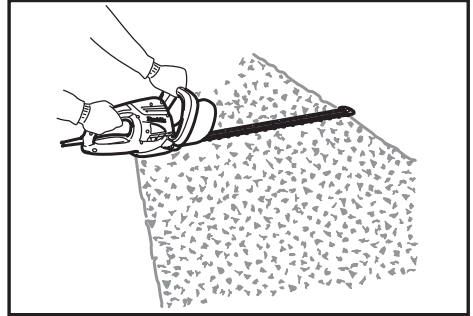
- N'utilisez pas l'outil pour couper des arbres morts ou d'autres objets durs du même genre. Dans le cas contraire, l'outil pourrait être endommagé.

Tenez le taille-haie en utilisant les deux mains; tirez sur les interrupteurs A et B et déplacez l'outil devant votre corps.



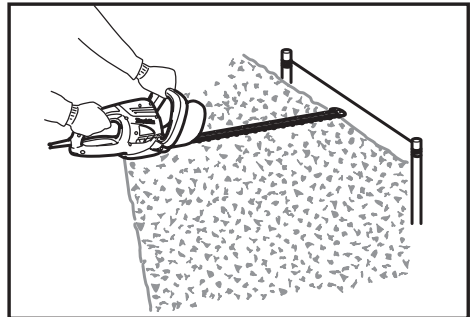
Lorsque vous utilisez le taille-haie, maintenez le cordon prolongateur à l'arrière de l'outil.

L'opération de base consiste à abaisser les lames vers la direction de coupe, et à déplacer l'outil calmement et lentement, au rythme de trois ou quatre secondes par mètre.

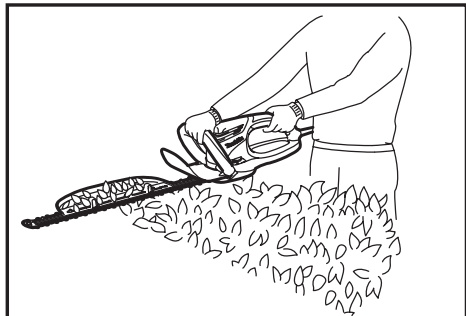


► 1. Sens de la coupe 2. Abaissez les lames  
3. Surface de la haie à tailler

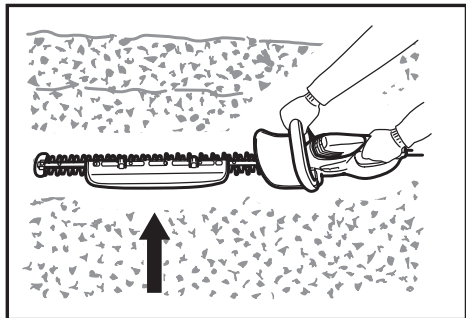
Pour tailler le dessus d'une haie de façon égale, il peut être utile d'installer une ficelle à la hauteur désirée et de tailler la haie en l'utilisant comme ligne de référence.



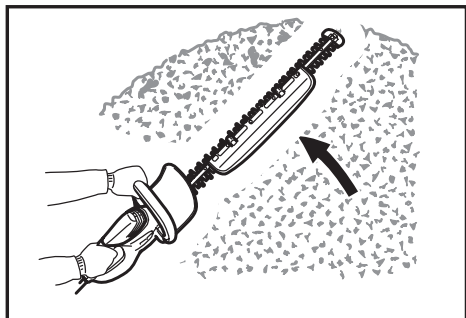
Fixer le capteur de débris (accessoire) à l'outil pendant la coupe horizontale d'une haie permet d'éviter que les feuilles coupées ne soient projetées.



Pour tailler les côtés d'une haie de façon égale, il est plus facile de travailler du bas vers le haut.



Taillez les buis ou le rhododendron de la base vers le haut pour une bonne apparence et pour réaliser un travail de qualité.



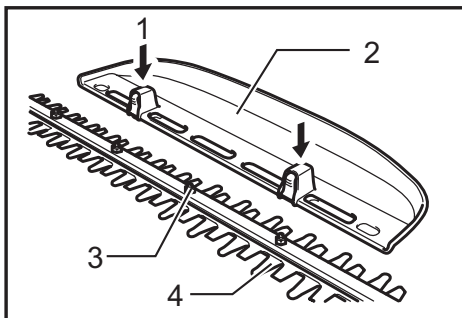
## Installation ou retrait du capteur de débris (accessoire)

### ⚠ ATTENTION :

- Assurez-vous toujours que l'outil est hors tension et débranché avant d'installer ou de retirer le capteur de débris.

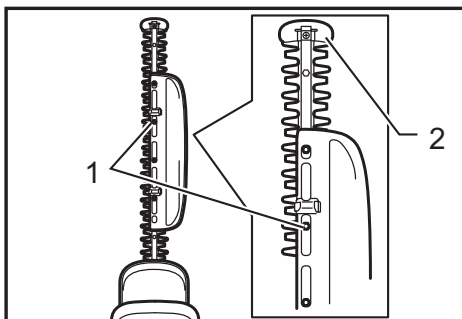
### NOTE :

- Lorsque vous remplacez le capteur de débris, portez toujours des gants pour vous assurer que vos mains et votre visage ne sont pas directement en contact avec la lame. Autrement, il y a risque de blessure.
- Assurez-vous toujours de retirer le couvercle de lame avant d'installer le capteur de débris.
- Le capteur de débris recueille les feuilles coupées et facilite le travail de nettoyage des feuilles dispersées. Il peut être installé d'un côté ou de l'autre de l'outil.



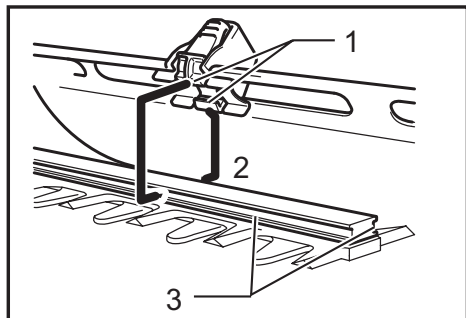
- 1. Appuyer 2. Capteur de débris 3. Écrou 4. Lame de cisaillement

Pressez le capteur de débris contre les lames de cisaillement, de sorte qu'il glisse sur les écrous des lames. Assurez-vous alors que le capteur de débris n'entre pas en contact avec le capteur de branches à l'extrémité des lames de cisaillement.



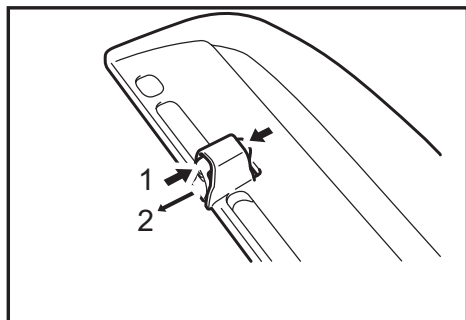
- 1. Écrou 2. Capteur de branches

Le capteur de débris doit alors être installé de manière à ce que ses crochets s'insèrent dans les rainures des lames de cisaillement.



- 1. Crochets 2. Insérez les crochets dans la rainure  
3. Rainures

Pour enlever le capteur de débris, appuyez sur les leviers qui se trouvent de chaque côté, de manière à débloquer les crochets.



- 1. Appuyez sur les leviers qui se trouvent de chaque côté 2. Débloquez les crochets

#### **ATTENTION :**

- Le couvercle de lame (matériel de base) ne peut pas être installé sur l'outil lorsque le capteur de débris est en place. Avant de transporter ou de ranger l'outil, retirez le capteur de débris, puis installez le couvercle de lame pour éviter que celles-ci ne soient exposées.

#### **NOTE :**

- Vérifiez si le capteur de débris est solidement installé avant l'utilisation.
- N'essayez jamais de retirer le capteur de débris en appuyant une force excessive lorsque ses crochets sont bloqués dans les rainures des lames. L'utilisation d'une force excessive peut les endommager.

## ENTRETIEN

#### **ATTENTION :**

- Assurez-vous toujours que l'outil est hors tension et débranché avant d'y effectuer tout travail d'inspection ou d'entretien.

### Nettoyage de l'outil

Nettoyez l'outil en essuyant la saleté à l'aide d'un linge sec ou imbibé de savon.

#### **ATTENTION :**

- N'utilisez jamais d'essence, de benzine, de solvant, d'alcool ou d'autres produits similaires. Une décoloration, une déformation, ou la formation de fissures peuvent en découler.

### Entretien des lames

Graissez les lames avant l'utilisation, et une fois toutes les heures, à l'aide d'huile mouvement ou de produits similaires.

Après l'utilisation, enlevez la saleté des deux côtés de la lame à l'aide d'une brosse métallique, essuyez avec un linge, puis appliquez suffisamment d'huile à faible viscosité, comme de l'huile mouvement, par exemple, et de l'huile lubrifiante en aérosol.

#### **ATTENTION :**

- Ne lavez pas les lames dans l'eau. Dans le cas contraire, celles-ci pourraient rouiller ou l'outil pourrait être endommagé.

### Retrait ou installation de la lame de cisaillement

#### **ATTENTION :**

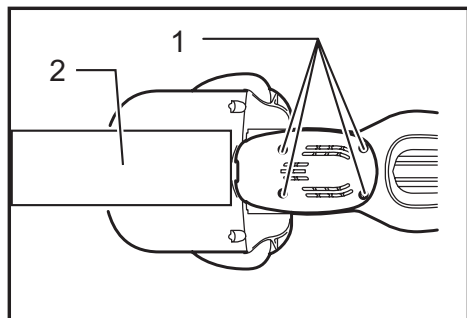
- Avant de retirer ou d'installer la lame de cisaillement, assurez-vous toujours que l'outil est hors tension et débranché.
- Lorsque vous remplacez la lame de cisaillement, portez toujours des gants et n'enlevez pas le couvercle de la lame pour vous assurer que vos mains et votre visage ne sont pas directement en contact avec la lame. Autrement, il y a risque de blessure.

#### **NOTE :**

- N'essayez pas de graisser de l'engrenage et de la came. Dans le cas contraire, vous pourriez endommager l'outil.
- Pour connaître la manière précise de retirer et d'installer les lames de cisaillement, reportez-vous à l'arrière de l'emballage des lames de cisaillement accessoires.

## Retrait des lames de cisaillement

Retournez l'outil et desserrez les quatre vis.

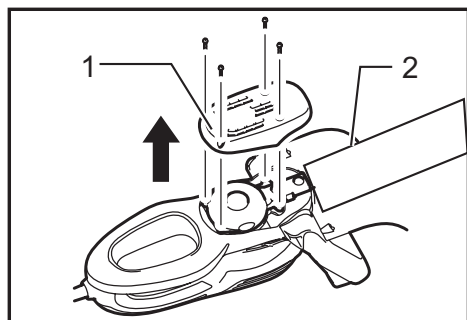


► 1. Vis 2. Couverture de lame

### NOTE :

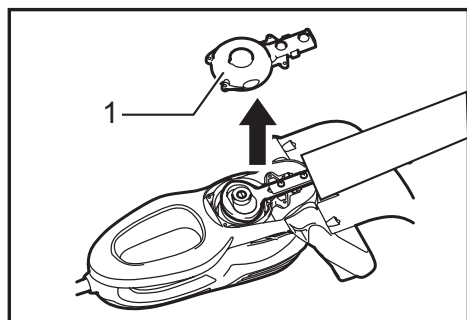
- Faites attention à ne pas vous salir les mains puisque de la graisse est appliquée dans la zone guide de la lame de cisaillement.

Enlevez le sous-couvercle.



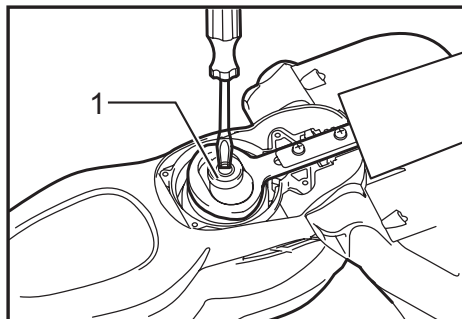
► 1. Sous-couvercle 2. Couverture de lame

Enlevez le couvercle du carter de l'engrenage.



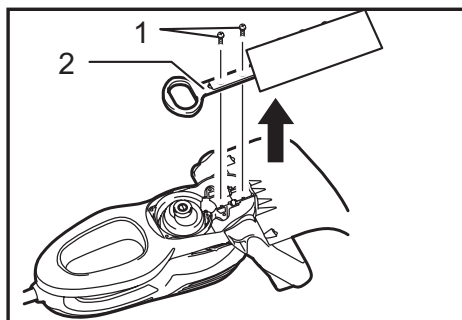
► 1. Couvercle du carter de l'engrenage

Positionnez la came au même angle qu'illustré dans la figure en utilisant un tournevis plat.



► 1. Came

Enlevez deux vis des lames de cisaillement et retirez l'ensemble des lames.



► 1. Vis 2. Lame de cisaillement

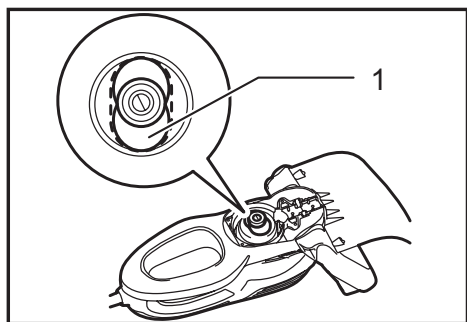
### ATTENTION :

- Remettez l'engrenage dans sa position originale, de la même manière qu'il était installé, s'il devait s'enlever par erreur.

## Installation de la lame de cisaillement

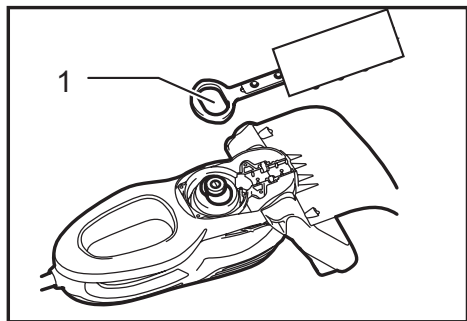
Préparez les 4 vis enlevées (du sous-couvercle), les deux vis (pour la lame de cisaillement), le couvercle du carter d'engrenage, le sous-couvercle et les nouvelles lames de cisaillement.

Réglez la position de la came, tel qu'illustré dans la figure. Appliquez alors un peu de la graisse fournie avec les nouvelles lames de cisaillement autour de la came.



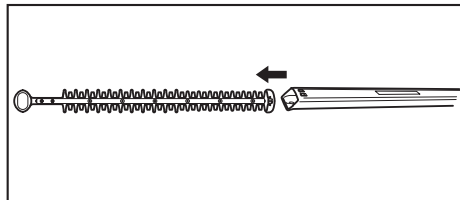
► 1. Came

Superposez le trou ovale de la lame supérieure avec celui de la lame inférieure.

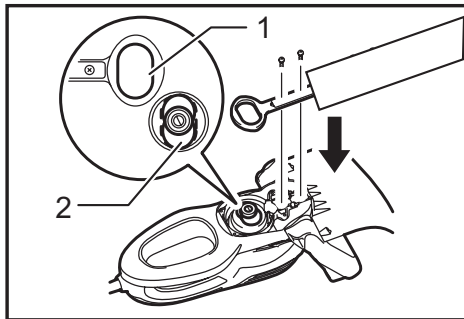


► 1. Ellipse de la lame de cisaillement

Enlevez le couvercle des vieilles lames de cisaillement et installez-le sur les nouvelles, pour une meilleure manipulation lors du remplacement des lames.

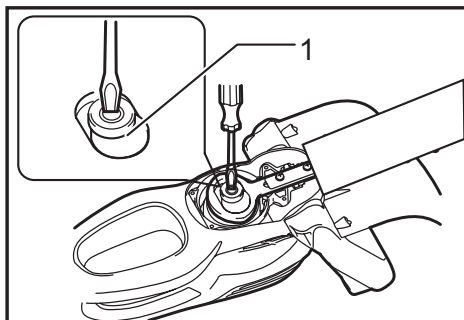


Placez les nouvelles lames de cisaillement sur l'outil, de manière à ce que les trous ovales des lames correspondent à la came. Superposez les trous des lames de cisaillement avec les trous de vis sur l'outil, puis posez les deux vis.



► 1. Ellipse de la lame de cisaillement 2. Came

Vérifiez si la came tourne librement en utilisant un tournevis plat.



► 1. Came

Installez le carter d'engrenage et le sous-couvercle sur l'outil. Serrez fermement la vis.

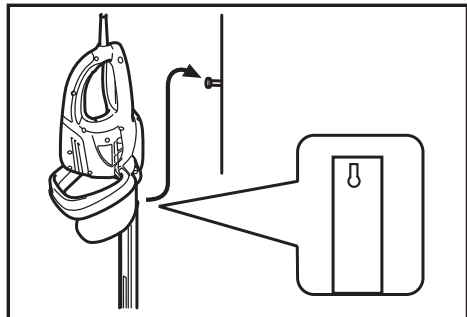
Enlevez le couvercle de la lame, puis mettez l'outil en marche pour en vérifier le bon fonctionnement.

### NOTE :

- Si les lames de cisaillement ne fonctionnent pas adéquatement, cela indique que les lames et la came sont mal assemblées. Répétez les opérations.

## Entreposage

Le trou à l'arrière du couvercle de lame est utile pour suspendre l'outil sur un clou ou une vis fixé au mur.



Placez le couvercle de lame sur les lames de cisaillement pour éviter que les lames ne soient exposées. Rangez l'outil soigneusement hors de la portée des enfants.

Rangez l'outil à l'abri de l'eau et de la pluie.

Pour assurer la SÉCURITÉ et la FIABILITÉ du produit, toute réparation, inspection ou remplacement du balai de carbone, ou tout autre ajustement ou entretien, doit être effectué par un centre de service après-vente Makita autorisé, et utiliser des pièces de rechange Makita.

## GARANTIE LIMITÉE MAKITA

Pour les conditions de garantie en vigueur qui s'appliquent à ce produit, veuillez vous reporter à la feuille de garantie en annexe. Si la feuille de garantie en annexe n'est pas disponible, reportez-vous aux détails de la garantie présentés sur le site Web de votre pays, ci-dessous.

États-Unis d'Amérique: [www.makitatools.com](http://www.makitatools.com)

Canada: [www.makita.ca](http://www.makita.ca)

Autres pays: [www.makita.com](http://www.makita.com)

## ACCESSOIRES EN OPTION

### ⚠ ATTENTION :

- Ces accessoires ou pièces complémentaires sont recommandés pour l'utilisation avec l'outil Makita spécifié dans ce mode d'emploi. L'utilisation de tout autre accessoire ou pièce complémentaire peut comporter un risque de blessure. N'utilisez les accessoires ou pièces qu'aux fins auxquelles ils ont été conçus.

Si vous désirez obtenir plus de détails concernant ces accessoires, veuillez contacter le centre de service après-vente Makita le plus près.

- Cordon prolongateur
- Couvercle de lame
- Dispositif de maintien du cordon
- Ensemble des lames de cisaillement
- Crochet de retenue du cordon à la taille
- Crochet de retenue du cordon au bras

### NOTE :

- Certains éléments de la liste peuvent être inclus avec l'outil comme accessoires standard. Ils peuvent varier suivant les pays.

## ESPECIFICACIONES

Modelo	UH5570	UH6570
Especificaciones eléctricas en México	120 V ~ 4,8 A 50/60 Hz	
Longitud de la cuchilla	550 mm (21 - 5/8")	650 mm (25 - 5/8")
Carreras por minuto	1 600 cpm	1 600 cpm
Longitud total	1 031 mm (40 - 1/2")	1 136 mm (44 - 3/4")
Peso neto	3,7 kg (8,2 lbs)	3,8 kg (8,4 lbs)

- Debido a nuestro programa continuo de investigación y desarrollo, las especificaciones aquí dadas están sujetas a cambios sin previo aviso.
- Las especificaciones pueden ser diferentes de país a país.
- Peso de acuerdo al procedimiento de EPTA-01/2003

### Advertencias de seguridad generales para herramientas eléctricas

**⚠ADVERTENCIA:** lea todas las advertencias de seguridad e instrucciones. Si no sigue todas las advertencias e instrucciones indicadas a continuación, podrá ocasionar una descarga eléctrica, un incendio y/o lesiones graves.

### Guarde todas las advertencias e instrucciones para su futura referencia.

El término "herramienta eléctrica" se refiere, en todas las advertencias que aparecen a continuación, a su herramienta eléctrica de funcionamiento con conexión a la red eléctrica (con cableado eléctrico) o herramienta eléctrica de funcionamiento a batería (inalámbrica).

#### Seguridad en el área de trabajo

1. **Mantenga el área de trabajo limpia y bien iluminada.** Las áreas oscuras o desordenadas son propensas a accidentes.
2. **No utilice las herramientas eléctricas en atmósferas explosivas, tal como en la presencia de líquidos, gases o polvo inflamables.** Las herramientas eléctricas crean chispas que pueden prender fuego al polvo o los humos.
3. **Mantenga a los niños y curiosos alejados mientras utiliza una herramienta eléctrica.** Las distracciones le pueden hacer perder el control.

#### Seguridad eléctrica

4. **Las clavijas de conexión de las herramientas eléctricas deberán encajar perfectamente en la toma de corriente. No modifique nunca la clavija de conexión de ninguna forma. No utilice ninguna clavija adaptadora con herramientas eléctricas que tengan conexión a tierra (puesta a tierra).** La utilización de clavijas no modificadas y que encajen perfectamente en la toma de corriente reducirá el riesgo de que se produzca una descarga eléctrica.
5. **Evite tocar con el cuerpo superficies conectadas a tierra o puestas a tierra tales como tubos, radiadores, cocinas y refrigeradores.** Si su cuerpo es puesto a tierra o conectado a tierra existirá un mayor riesgo de que sufra una descarga eléctrica.

6. **No exponga las herramientas eléctricas a la lluvia ni a condiciones húmedas.** La entrada de agua en una herramienta eléctrica aumentará el riesgo de que se produzca una descarga eléctrica.
7. **No jale el cable. Nunca utilice el cable para transportar, jalar o desconectar la herramienta eléctrica. Mantenga el cable alejado del calor, aceite, objetos cortantes o piezas móviles.** Los cables dañados o atrapados aumentan el riesgo de sufrir una descarga eléctrica.
8. **Cuando utilice una herramienta eléctrica en exteriores, utilice un cable de extensión apropiado para uso en exteriores.** La utilización de un cable apropiado para uso en exteriores reducirá el riesgo de que se produzca una descarga eléctrica.
9. **Si no es posible evitar usar una herramienta eléctrica en condiciones húmedas, utilice un alimentador protegido con interruptor de circuito de falla en tierra (ICFT).** El uso de un ICFT reduce el riesgo de descarga eléctrica.

#### Seguridad personal

10. **Manténgase alerta, preste atención a lo que está haciendo y utilice su sentido común cuando opere una herramienta eléctrica. No utilice la herramienta eléctrica cuando esté cansado o bajo la influencia de drogas, alcohol o medicamentos.** Un momento de distracción mientras opera la máquina puede dar como resultado heridas personales graves.
11. **Use equipo de protección personal. Póngase siempre protección para los ojos.** El equipo protector tal como máscara contra el polvo, zapatos de seguridad antiderrapantes, casco rígido y protección para oídos utilizado en las condiciones apropiadas reducirá las heridas personales.
12. **Impida el encendido accidental. Asegúrese de que el interruptor esté en la posición de apagado antes de conectar a la alimentación eléctrica y/o de colocar el cartucho de la batería, así como al levantar o cargar la herramienta.** Cargar las herramientas eléctricas con su dedo en el interruptor o conectarlas con el interruptor encendido hace que los accidentes sean propensos.



13. **Retire cualquier llave de ajuste o llave de apriete antes de encender la herramienta.** Una llave de ajuste o llave de apriete que haya sido dejada puesta en una parte giratoria de la herramienta eléctrica podrá resultar en heridas personales.
14. **No utilice la herramienta donde no alcance. Mantenga los pies sobre suelo firme y el equilibrio en todo momento.** Esto permite un mejor control de la herramienta eléctrica en situaciones inesperadas.
15. **Use vestimenta apropiada. No use ropas sueltas ni joyas. Mantenga el cabello, la ropa y los guantes alejados de las partes móviles, ya que pueden ser atrapadas por estas partes en movimiento.**
16. **Si dispone de dispositivos para la conexión de equipos de extracción y recolección de polvo, asegúrese de conectarlos y utilizarlos debidamente.** La utilización de estos dispositivos reduce los riesgos relacionados con el polvo.

#### Mantenimiento y uso de la herramienta eléctrica

17. **No fuerce la herramienta eléctrica. Utilice la herramienta eléctrica correcta para su aplicación.** La herramienta eléctrica adecuada hará un trabajo mejor a la velocidad para la que ha sido fabricada.
18. **No utilice la herramienta eléctrica si el interruptor no la enciende y apaga.** Cualquier herramienta eléctrica que no pueda ser controlada con el interruptor es peligrosa y debe ser reemplazada.
19. **Desconecte la clavija de la fuente de energía y/o la batería de la herramienta eléctrica antes de realizar ajustes, cambiar accesorios o guardar las herramientas eléctricas.** Dichas medidas de seguridad preventivas reducen el riesgo de que la herramienta se inicie accidentalmente.
20. **Guarde la herramienta eléctrica que no use fuera del alcance de los niños y no permita que las personas que no están familiarizadas con ella o con las instrucciones la operen.** Las herramientas eléctricas son peligrosas en manos de personas que no saben operarlas.

21. **Realice el mantenimiento a las herramientas eléctricas. Compruebe que no haya partes móviles desalineadas o estancadas, piezas rotas y cualquier otra condición que pueda afectar al funcionamiento de la herramienta eléctrica. Si la herramienta eléctrica está dañada, haga que se la reparen antes de utilizarla.** Muchos accidentes son ocasionados por herramientas eléctricas con un mal mantenimiento.
22. **Mantenga las herramientas de corte limpias y filosas.** Si recibe un mantenimiento adecuado y tiene los bordes afilados, es probable que la herramienta se atasque menos y sea más fácil controlarla.
23. **Utilice la herramienta eléctrica, así como accesorios, piezas, brocas, etc. de acuerdo con estas instrucciones y de la manera establecida para cada tipo de unidad en particular; tenga en cuenta las condiciones laborales y el trabajo a realizar.** Si utiliza la herramienta eléctrica para realizar operaciones distintas de las indicadas, podrá presentarse una situación peligrosa.

#### Servicio de mantenimiento

24. **Haga que una persona calificada repare la herramienta utilizando sólo piezas de repuesto idénticas.** Esto asegura que se mantenga la seguridad de la herramienta eléctrica.
25. **Siga las instrucciones para la lubricación y cambio de accesorios.**
26. **Mantenga las agarraderas secas, limpias y sin aceite o grasa.**

UTILICE CABLES DE EXTENSIÓN APROPIADOS. Asegúrese de que su cable de extensión esté en buenas condiciones. Cuando utilice un cable de extensión, asegúrese de utilizar uno del calibre suficiente para conducir la corriente que demande el producto. Un cable de calibre inferior ocasionará una caída en la tensión de línea y a su vez en una pérdida de potencia y sobrecalentamiento. La Tabla 1 muestra la medida correcta a utilizar dependiendo de la longitud del cable y el amperaje nominal indicado en la placa de características. Si no está seguro, utilice el siguiente calibre más alto. Cuanto menor sea el número de calibre, más corriente podrá conducir el cable.

Tabla 1. Calibre mínimo para el cable

Amperaje nominal		Volts	Longitud total del cable en metros			
		120V~	7,6 m (25 ft)	15,2 m (50 ft)	30,4 m (100 ft)	45,7 m (150 ft)
		220V~ - 240V~	15,2 m (50 ft)	30,4 m (100 ft)	60,8 m (200 ft)	91,2 m (300 ft)
Más de	No más de	Calibre del cable (AWG)				
0 A	6 A	/	18	16	16	14
6 A	10 A		18	16	14	12
10 A	12 A		16	16	14	12
12 A	16 A		14	12	No se recomienda	

## ADVERTENCIAS DE SEGURIDAD PARA EL CORTASETOS



- Mantenga todas las partes del cuerpo alejadas de la pieza cortadora. No despeje el material cortado ni sostenga material para cortarlo cuando las cuchillas estén activas. Asegúrese de que el interruptor esté apagado al despejar material que se haya atascado. Los discos siguen girando por inercia después de apagar la herramienta.** Un momento de descuido mientras se opera el cortasetos puede resultar en graves lesiones personales.
- Cargue el cortasetos por el mango sin que la pieza cortadora esté activa.** El manejo adecuado del cortasetos reducirá el riesgo de lesiones personales ocasionados por las cuchillas.
- Sujete la herramienta motorizada sólo a través de las superficies de empuñadura recubiertas con aislamiento, ya que puede que haya contacto de la cuchilla con cableado oculto o con su propio cable eléctrico.** Si las piezas cortadoras hacen contacto con un cable con corriente, las piezas metálicas expuestas de la herramienta eléctrica se cargarán también de corriente y el operario puede recibir una descarga.
- Mantenga el cable alejado del área de corte.** Durante la operación, puede que el cable quede oculto entre los arbustos y que la cuchilla lo corte accidentalmente.
- PELIGRO - Mantenga las manos alejadas de los disco.** El contacto con el disco puede que resulte en graves lesiones personales.
- No use las tijeras inalámbricas mientras llueva o en entornos mojados o con mucha humedad. El motor eléctrico no es a prueba de agua.
- Los usuarios primerizos deberán contar con un usuario experimentado que les enseñe cómo usar la herramienta.
- Las tijeras inalámbricas no deben ser usadas por niños ni jóvenes menores de 18 años. Puede que se haga una excepción para personas mayores de 16 años que estén bajo la estricta supervisión de un experto que los esté entrenando.
- Opere las tijeras inalámbricas sólo si se encuentra en buena condición física. Si siente cansancio, su atención se verá afectada. Tengo especial atención al final de la jornada laboral. Realice todo el trabajo tranquila y cuidadosamente. El usuario es responsable de todos los daños a terceros.
- Verifique para asegurarse que el voltaje y frecuencia del suministro eléctrico corresponda a las especificaciones que se indican en la placa de identificación. Sugerimos el uso de un disyuntor de circuitos de operación por corriente residual (interruptor del circuito de fallos en toma a tierra) con una corriente de disparo de 30 mA o inferior, o un protector contra fugas de corriente a tierra.
- Los guantes de piel gruesa forman parte del equipo básico para el uso de las tijeras inalámbricas y deberán siempre usarse. También use calzado resistente con suelas antiderrapantes.
- Antes de iniciar el trabajo, compruebe que el cortasetos se encuentra en buenas condiciones y sea seguro de usar. Asegúrese que las piezas protectoras estén bien colocadas. Verifique si hay daños en el cable antes de iniciar el trabajo y reemplácelo en caso de ser necesario. El cortasetos no deberá usarse salvo que se encuentre armado totalmente.
- Mantenga el cable alejado del área de corte. Trabaje siempre de tal forma que la extensión para el cable eléctrico se encuentra detrás suyo.
- Desenchufe la clavija de conexión del tomacorrientes inmediatamente en caso de que el cable se dañe o corte.
- Asegúrese de pisar suelo firme antes de comenzar la operación.
- Sujete la herramienta con firmeza al usarla.
- No opere la herramienta al vacío innecesariamente.
- Apague el motor de inmediato y desenchufe del tomacorrientes si la pieza cortadora llega a hacer contacto con algún cerco u otro objeto rígido. Revise si hay daños en la pieza cortadora y lleve a reparación de inmediato de ser así.
- Antes de revisar la pieza cortadora, arreglar fallos o despejar material que se haya atascado, apague siempre el equipo y desenchufe del tomacorrientes.
- Apague el equipo, desconecte y asegúrese del enchufe antes de realizar cualquier operación de mantenimiento.
- Al mover el cortasetos a otra ubicación, incluyendo durante su operación, desenchufe siempre del tomacorrientes y coloque la cubierta de las cuchillas sobre éstas. Nunca cargue ni transporte el cortasetos mientras esté la cuchilla activa. Nunca tome la pieza cortadora con las manos.
- Limpie el cortasetos, especialmente la cuchilla tras el uso, y antes de almacenar la herramienta por extensos periodos. Lubrique ligeramente la pieza cortadora y coloque la cubierta. La cubierta incluida con el equipo permite que pueda colgarse sobre la pared, ofreciendo una forma práctica y seguro de almacenar el cortasetos.
- Almacene las tijeras inalámbricas con la cubierta colocada en un lugar seco. Mantenga la herramienta fuera del alcance de los niños. Nunca almacene las tijeras inalámbricas en la intemperie.
- Para reducir el riesgo de desconexión del cable eléctrico de cortasetos durante la operación, use el gancho por completo según se describe en este manual.**
- Si el cable eléctrico se daña, desenchufe el equipo del tomacorrientes.**
- Primeros auxilios** - En el caso posible de algún accidente, asegúrese de que tenga a su alcance inmediato un equipo de primeros auxilios disponible en todo momento. Reemplace inmediatamente cualquier artículo que haya utilizado.

## GUARDE ESTAS INSTRUCCIONES.

**⚠ADVERTENCIA:** NO DEJE que la comodidad o familiaridad con el producto (a base de utilizarlo repetidamente) sustituya la estricta observancia de las normas de seguridad para dicho producto. El MAL USO o el no seguir las normas de seguridad establecidas en este manual de instrucciones puede ocasionar graves lesiones personales.

## Símbolos

A continuación se muestran los símbolos utilizados para la herramienta.

V	volts o voltios
A	amperes
Hz	hertz
	corriente alterna
$n_0$	velocidad en vacío o sin carga
	Construcción clase II
... /min r /min	revoluciones o alternaciones por minuto, frecuencia de rotación.

**⚠ADVERTENCIA:** El uso de este producto puede generar polvo que contenga sustancias químicas que pueden causar enfermedades respiratorias, entre otros males.

Algunos ejemplos de estos químicos son los compuestos que se encuentran en los pesticidas, insecticidas, fertilizantes y herbicidas.

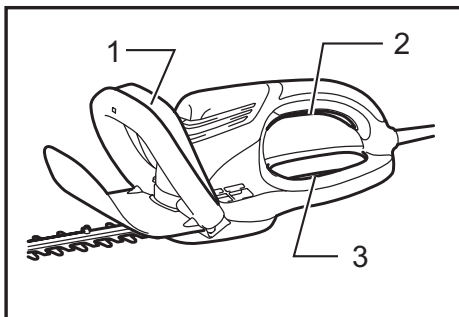
El riesgo al que se expone variara, dependiendo de la frecuencia con la que realice este tipo de trabajo. Para reducir la exposición a estos productos químicos: trabaje en un área bien ventilada, y póngase el equipo de seguridad indicado, tal como esas mascarillas contra el polvo que están especialmente diseñadas para filtrar partículas microscópicas.

## DESCRIPCIÓN DEL FUNCIONAMIENTO

### ⚠PRECAUCIÓN:

- Asegúrese siempre de que la herramienta esté apagada y desconectada antes de ajustar o comprobar cualquier función en la misma.

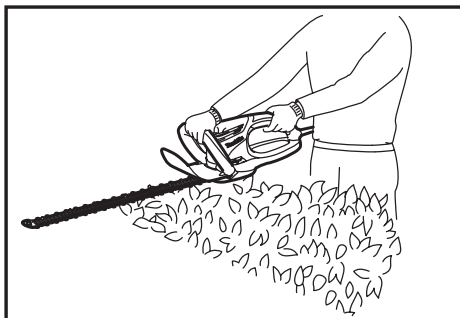
## Accionamiento del interruptor



- 1. Gatillo interruptor B 2. Gatillo interruptor A  
3. Gatillo interruptor C

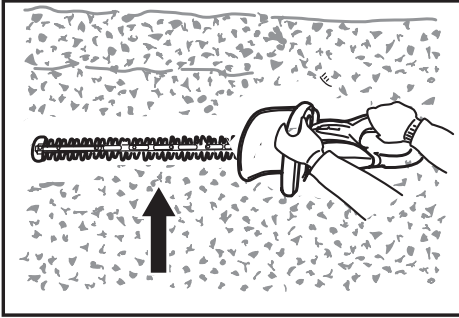
Para su seguridad, esta herramienta cuenta con un sistema interruptor triple. Para encender la herramienta, presione dos de los tres gatillos A, B o C. Suelte uno de los dos interruptores presionados para apagarla. La secuencia de activación entre los interruptores es irrelevante ya que la herramienta se enciende cuando dos de los interruptores se activen.

## Corte recto



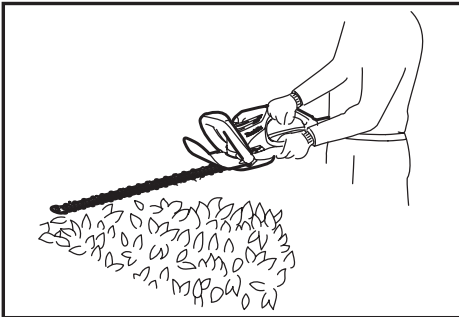
Para podar el seto de forma recta, jale los gatillos A y B.

## Corte vertical



Corte hacia arriba con ambas manos jalando los gatillos B y C y mueva en frente de su cuerpo.

## Corte de área alejada



Para podar el seto en un área alejada con ambas manos jale los gatillos A y C.

## ENSAMBLE

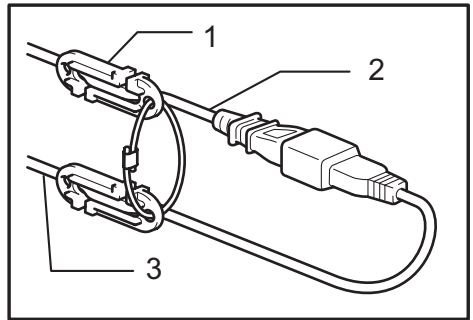
### ⚠PRECAUCIÓN:

- Asegúrese siempre de que la herramienta esté apagada y desconectada antes de realizar cualquier trabajo en la misma.

## Conecte una extensión eléctrica

### ⚠PRECAUCIÓN:

- Asegúrese que la extensión eléctrica esté desconectada del tomacorriente eléctrico.



- 1. Gancho completo 2. Cable de extensión 3. Cable de la herramienta

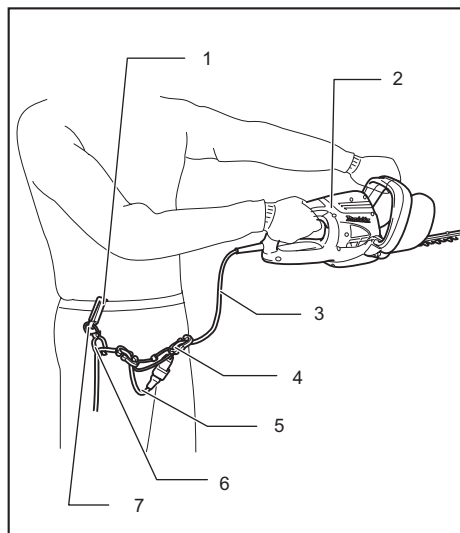
Al conectar una extensión eléctrica, asegure el cable eléctrico de la herramienta con el gancho completo. Adjunte el gancho a unos 100 - 200 mm del conector de la extensión eléctrica. Esto ayudará a prevenir una desconexión accidental.

## Gancho del cable a la cintura

### ⚠PRECAUCIÓN:

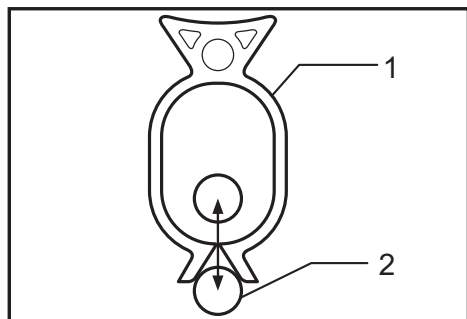
- No coloque en el sujetador del gancho del cable a la cintura otra cosa que no sea la extensión eléctrica. No lo coloque a una posición más cercana a la herramienta que exceda el gancho completo. Ignorar esta indicación podría causar lesiones personales.
- Al usar el gancho del cable a la cintura, use la extensión eléctrica como parte del equipo estándar. El uso de una extensión eléctrica genérica podría causar un accidente o lesión.
- Coloque firmemente un gancho del gancho completo al cable de la herramienta y el otro gancho del gancho completo a la extensión eléctrica. El uso de la herramienta con sólo un gancho colocado puede causar un accidente o lesión.

Use el gancho del cable a la cintura para minimizar el riesgo de cortar el cable de la extensión eléctrica accidentalmente debido a que éste quede suelto.



- 1. Gancho 2. Herramienta 3. Cable de la herramienta 4. Gancho completo 5. Cable de extensión 6. Soporte 7. Gancho del cable a la cintura

Presione o jale el cable a través de la abertura del sujetador.



- 1. Soporte 2. Cable

**⚠PRECAUCIÓN:**

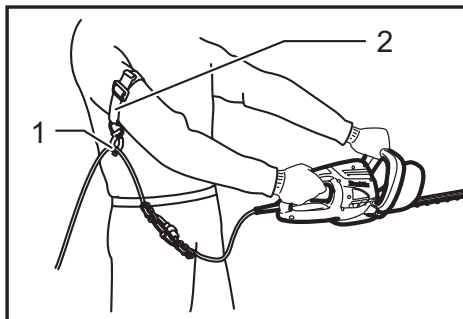
- No fuerce la abertura del sujetador. No seguir esa indicación puede doblarlo y dañarlo.

**Gancho del cable al brazo (accesorio)**

**⚠PRECAUCIÓN:**

- No coloque en el sujetador del gancho del cable al brazo otra cosa que no sea la extensión eléctrica. No lo coloque a una posición más cercana a la herramienta que exceda los ganchos del gancho completo. Ignorar esta indicación podría causar lesiones personales.
- Al usar el gancho del cable al brazo, use la extensión eléctrica como parte del equipo estándar. El uso de una extensión eléctrica genérica podría causar un accidente o lesión.
- Coloque firmemente un gancho del gancho completo al cable de la herramienta y el otro gancho del gancho completo a la extensión eléctrica. El uso de la herramienta con sólo un gancho colocado puede causar un accidente o lesión.

Use el gancho del cable al brazo para minimizar el riesgo de cortar el cable de la extensión eléctrica accidentalmente debido a que éste quede suelto.



- 1. Soporte 2. Gancho del cable al brazo

Coloque con firmeza el gancho del cable al brazo alrededor del brazo y pase la extensión eléctrica a través del sujetador. La longitud del cable para el gancho al brazo es ajustable.

**NOTA:**

- No pase la extensión eléctrica a través de la banda.
- No fuerce la abertura del sujetador. No seguir esa indicación puede doblarlo y dañarlo.
- El uso del gancho del cable al brazo en conjunto con el gancho del cable a la cintura resulta de mayor utilidad.

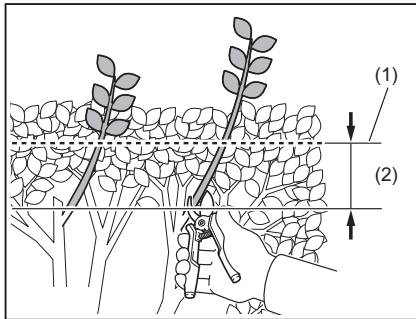
# OPERACIÓN

Consulte las Instrucciones Importantes de Seguridad antes de la operación.

## ⚠️ PRECAUCIÓN:

- Al estar usando la podadora, mantenga la extensión eléctrica por detrás de ésta. Nunca coloque la extensión sobre el seto que está siendo podado.
- Tenga la precaución de no hacer contacto accidental con un cerco metálico o algún otro objeto duro al estar podando. La cuchilla se romperá y puede que cause graves lesiones.
- El excederse en su alcance con la podadora de setos, particularmente desde una escalera, es extremadamente peligroso. No trabaje sobre ninguna superficie tambaleante o que carezca de firmeza.

**AVISO:** No intente usar la herramienta para cortar ramas con un diámetro mayor a 10 mm (3/8"). Corte las ramas a 10 cm (4") menos que la altura de corte usando algún cortador de ramas antes de usar la herramienta.

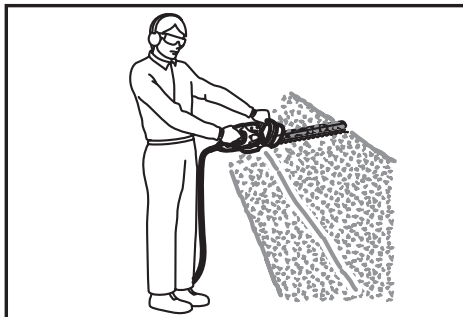


► (1) Altura de corte (2) 10 cm (4")

## ⚠️ PRECAUCIÓN:

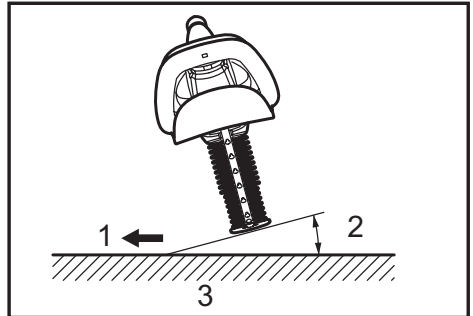
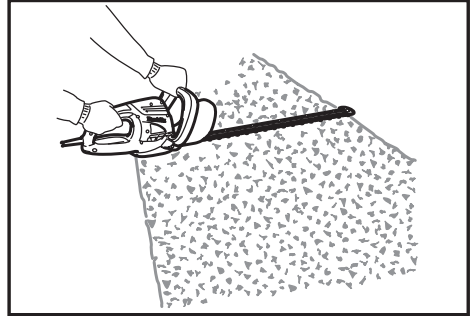
- No corte árboles muertos ni objetos similares. Ignorar esta indicación puede dañar la herramienta.

Sujete la podadora con ambas manos jalando los gatillos A o B y mueva en frente de su cuerpo.



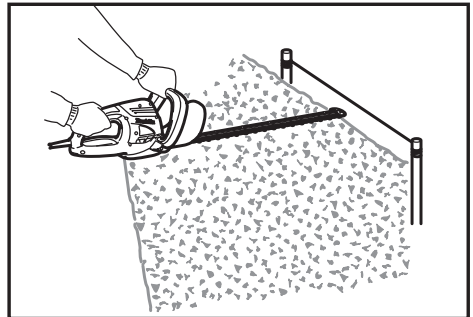
Al estar usando la podadora, mantenga la extensión eléctrica por detrás de ésta.

Como operación básica, incline las cuchillas hacia la dirección de podado y mueva con calma y cuidadosamente a una velocidad de 3 ó 4 segundos por metro (3m/s - 4m/s).

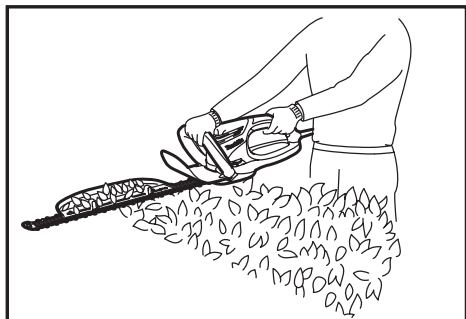


- 1. Dirección de podado 2. Inclinación de las cuchillas  
3. Superficie del seto a ser podada

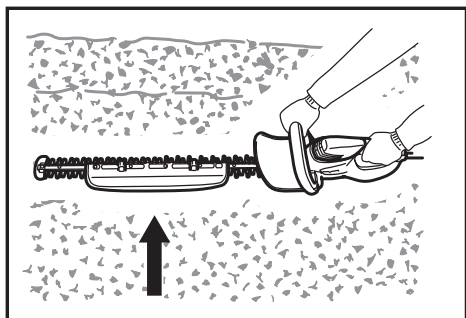
Para cortar la superficie del seto, es útil atar un cordón a la altura deseada y podar sobre esta guía visual.



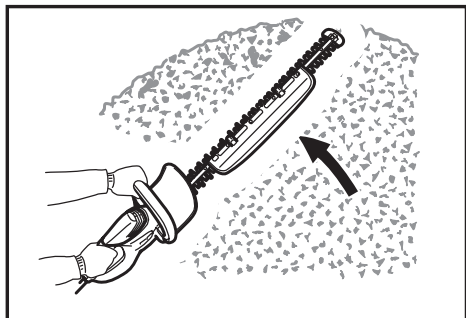
La colocación del recolector de residuos (accesorio) en la herramienta al hacer el podado del seto de forma recta puede evitar que las hojas cortadas salgan proyectadas.



Para el corte lateral del seto de forma uniforme, resulta útil cortar de abajo hacia arriba.



Podar los setos conformados con boje o rodendo desde la base hacia arriba para conseguir una buena apariencia y acabado.



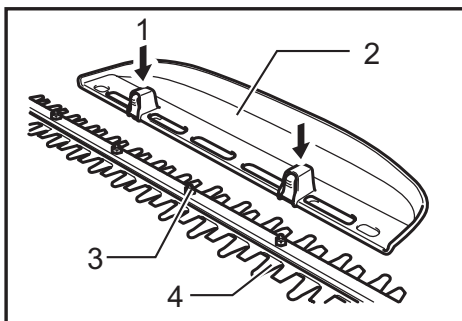
## Instalación o desmontaje del recolector de residuos (accesorio)

### ⚠ PRECAUCIÓN:

- Asegúrese siempre de que la herramienta esté apagada y desconectada antes de poner y quitar el recolector.

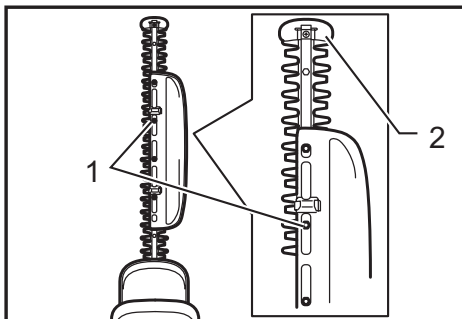
### NOTA:

- Al colocar el recolector de residuos, use siempre guantes para no exponer las manos directamente a las cuchillas. No seguir esta indicación puede resultar en lesiones personales.
- Asegúrese siempre de quitar la cubierta de la cuchilla antes de instalar el recolector de residuos y astillas.
- El recolector de residuos recibe las hojas cortadas y ahorra la labor de tener que recolectarlas para su eliminación posterior. Puede instalarse en cualquier lado de la herramienta.



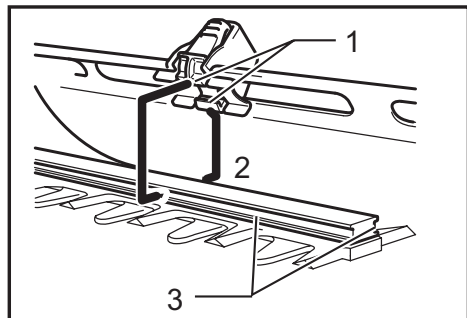
- 1. Presionar 2. Recolector de residuos 3. Tuerca 4. Cuchilla de corte

Presione el recolector de residuos sobre las cuchillas de cizalla de tal forma que se deslice empalándose con las tuercas de las cuchillas de cizalla. En este punto, asegúrese que el recolector de residuos no haga contacto con el receptor de ramas en la parte superior de las cuchillas de cizalla.



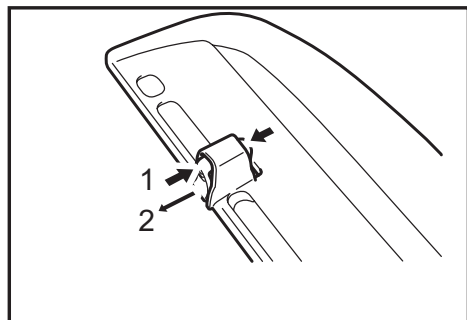
- 1. Tuerca 2. Receptor de ramas

En este punto, el recolector de residuos necesita instalarse de tal forma que sus ganchos encajen en las ranuras en la unidad de las cuchillas de cizalla.



- 1. Ganchos 2. Encajar los ganchos en las ranuras  
3. Ranuras

Para quitar el recolector de residuos, presione su palanca sobre ambos lados de tal forma que se desbloqueen los ganchos.



- 1. Presionar las palancas sobre ambos lados  
2. Desbloquear los ganchos

#### **⚠PRECAUCIÓN:**

- La cubierta de las cuchillas (equipo estándar) no puede instalarse sobre la herramienta con el recolector de residuos instalado. Antes de cargar la herramienta para almacenarla, desinstale el recolector de residuos y luego coloque la cubierta de las cuchillas para evitar que éstas queden expuestas.

#### **NOTA:**

- Compruebe que el recolector de residuos haya quedado fijo en su instalación antes de usar la herramienta.
- Nunca intente desinstalar el recolector de residuos mediante fuerza excesiva mientras los ganchos están bloqueados en las ranuras de la unidad de las cuchillas. El uso de fuerza excesiva puede dañar la unidad.

## MANTENIMIENTO

#### **⚠PRECAUCIÓN:**

- Asegúrese siempre que la herramienta esté apagada y desconectada antes de intentar realizar una inspección o mantenimiento.

#### **Limpieza de la unidad**

Limpie la herramienta al eliminar el polvo con un paño seco o sumergido en agua con jabón.

#### **⚠PRECAUCIÓN:**

- Nunca use gasolina, bencina, diluyente (tíner), alcohol o sustancias similares. Puede que esto ocasione grietas o descoloramiento.

#### **Mantenimiento de las cuchillas**

Unte aceite de máquina en las cuchillas antes del uso y una vez por hora durante su operación.

Tras la operación, elimine el polvo de ambos lados de la cuchilla con una brocha de alambre, sacúdala con un trapo y luego aplique aceite de baja viscosidad, como aceite para máquina, aceite en aerosol para lubricar o similar.

#### **⚠PRECAUCIÓN:**

- No la lave las cuchillas en el agua. No seguir esta indicación puede causar oxidación o daños a la herramienta.

#### **Extracción e instalación de las cuchillas de cizalla**

#### **⚠PRECAUCIÓN:**

- Antes de extraer o instalar las cuchillas de cizalla, asegúrese siempre que la herramienta esté apagada y desconectada.
- Al colocar la cuchilla de corte, use siempre guantes sin retirar la cubierta de las cuchillas para no exponer las manos ni el rostro directamente a las cuchillas. No seguir esta indicación puede resultar en lesiones personales.

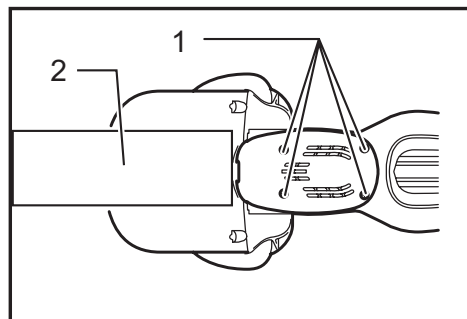
#### **NOTA:**

- No elimine la grasa del motor ni de la manivela. Ignorar esta indicación puede dañar la herramienta.
- Para el procedimiento específico de extraer e instalar las cuchillas de cizalla, consulte el reverso del paquete del accesorio de las cuchillas de cizalla.



## Desinstalación de las cuchillas de cizalla

Invierta la herramienta y afloje los cuatro tornillos.

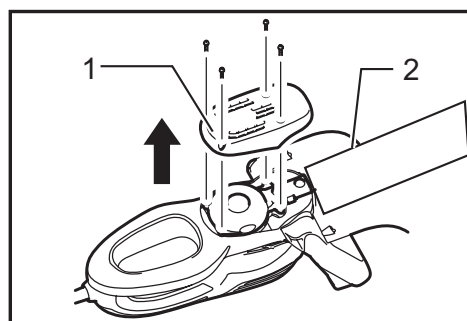


► 1. Tornillos 2. Cubierta protectora de las cuchillas

### NOTA:

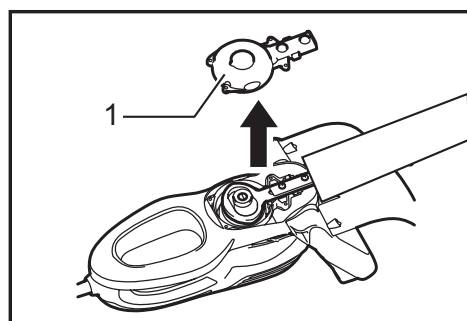
- Tenga la precaución de no exponer sus manos sucias a la grasa aplicada en la sección de control de las cuchillas de cizalla.

Retire la cubierta inferior.



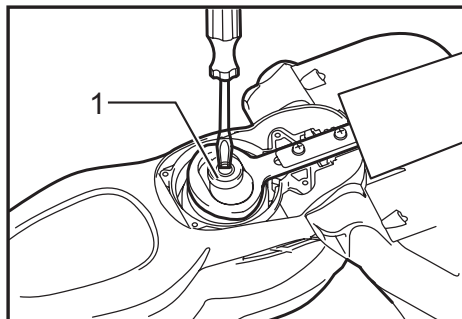
► 1. Cubierta por debajo 2. Cubierta protectora de las cuchillas

Retire la cubierta de la carcasa del motor.



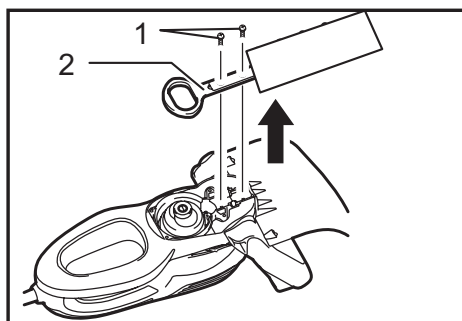
► 1. Cubierta de la carcasa del motor

Posicione la manivela al ángulo ilustrado en la figura con un destornillador de punta ranurada.



► 1. Manivela

Retire los dos tornillos de las cuchillas de las cizallas y retire la unidad de la cuchilla de la cizalla.



► 1. Tornillos 2. Cuchilla de corte

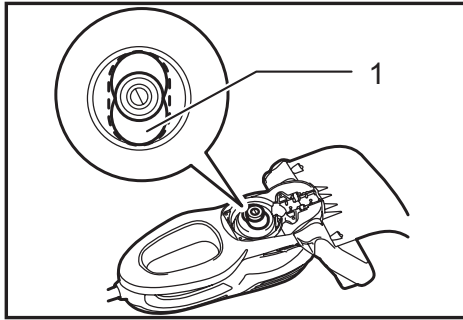
### ⚠PRECAUCIÓN:

- Restaure el motor a la posición original de tal manera que quede como fue instalado en caso de que se haya extraído por error.

## Instalación de las cuchillas de cizalla

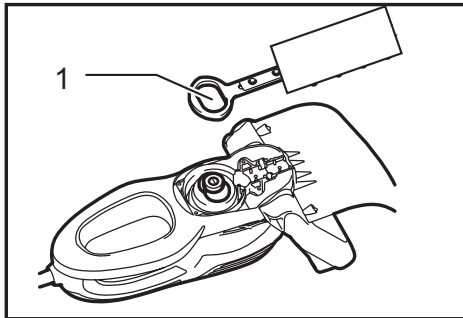
Prepare los 4 tornillos retirados (de la cubierta inferior), los dos tornillos (de la cuchilla de la cizalla), la cubierta de la carcasa del motor, la cubierta inferior y las nuevas cuchillas de cizalla.

Ajuste la manivela a la posición ilustrada en la figura. En este punto, aplique algo de la grasa incluida con las nuevas cuchillas de cizalla alrededor de la manivela.



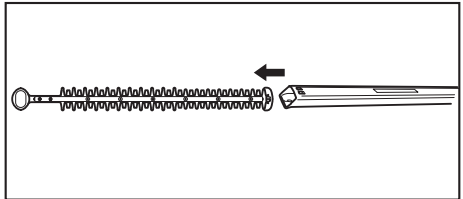
► 1. Manivela

Empalme le orificio ovalado en la cuchilla superior con el orificio de la cuchilla inferior.

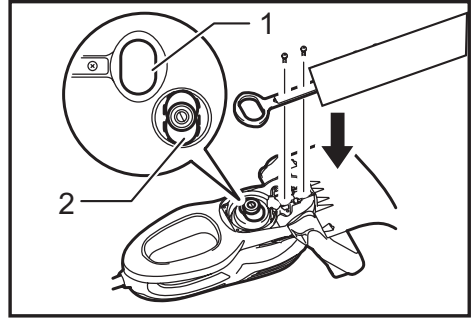


► 1. Elipse de la cuchilla de corte

Retire la cubierta de la cuchilla de las cuchillas viejas y colóquela en las nuevas para un fácil manejo durante el reemplazo de las cuchillas.

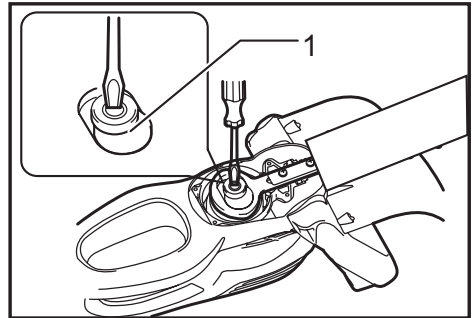


Coloque las nuevas cuchillas de cizalla en la herramienta de tal manera que los orificios ovalados en las cuchillas encajen con la manivela. Empalme los orificios de las cuchillas de cizalla con los orificios de los tornillos en la herramienta y fije con los dos tornillos.



► 1. Elipse de la cuchilla de corte 2. Manivela

Compruebe que la manivela gire sin problema con un destornillador de punta ranurada.



► 1. Manivela

Coloque la carcasa del motor y la cubierta inferior en la herramienta. Apriete firmemente el tornillo.

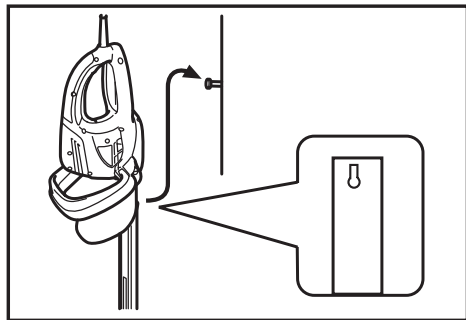
Retire la cubierta de la cuchilla y luego gire la herramienta para comprobar un movimiento adecuado.

### NOTA:

- Cuando las cuchillas de cizalla no funcionan bien, hay un encaje deficiente entre las cuchillas y la manivela. Repita el procedimiento desde un comienzo en este caso.

## Almacenamiento

El orificio del gancho en el fondo de la cubierta de la cuchilla es útil para colgar la herramienta de un clavo o tornillo insertado en la pared.



Ponga la cubierta de la cuchilla sobre las cuchillas de cizalla de tal forma que éstas no queden expuestas. Almacene la herramienta con cuidado de que quede fuera del alcance de los niños.

Almacene la herramienta en un lugar que no esté expuesto al agua ni a la lluvia.

Para mantener la SEGURIDAD y FIABILIDAD del producto, las reparaciones, la inspección y sustitución de la escobilla de carbón, y cualquier otro mantenimiento o ajuste deberán ser realizados en Centros o Servicios de fábrica Autorizados por Makita, empleando siempre piezas de repuesto de Makita.

## ACCESORIOS OPCIONALES

### **⚠ PRECAUCIÓN:**

- Estos accesorios o aditamentos (incluidos o no) están recomendados para utilizar con su herramienta Makita especificada en este manual. El empleo de cualesquiera otros accesorios o acoplamientos conllevará un riesgo de sufrir heridas personales. Utilice los accesorios o acoplamientos solamente para su fin establecido.

Si necesita cualquier ayuda para más detalles en relación con estos accesorios, pregunte a su centro de servicio Makita local.

- Extensión eléctrica
- Cubierta de la cuchilla
- Gancho completo
- Ensamble de la cuchilla de cizalla
- Gancho del cable a la cintura
- Gancho del cable al brazo

### **NOTA:**

- Algunos de los artículos en la lista puede que vengan junto con el paquete de la herramienta como accesorios incluidos. Puede que estos accesorios varíen de país a país.

## GARANTÍA LIMITADA DE MAKITA

### **Ésta Garantía no aplica para México**

Consulte la hoja de la garantía anexa para ver los términos más vigentes de la garantía aplicable a este producto. En caso de no disponer de esta hoja de garantía anexa, consulte los detalles sobre la garantía descritos en el sitio web de su país respectivo indicado a continuación.

Estados Unidos de América: [www.makitatools.com](http://www.makitatools.com)

Canadá: [www.makita.ca](http://www.makita.ca)

Otros países: [www.makita.com](http://www.makita.com)

# Makita Corporation

3-11-8, Sumiyoshi-cho,  
Anjo, Aichi 446-8502 Japan

[www.makita.com](http://www.makita.com)

884840H949 EN, FRCA, ESMX 20171127
--