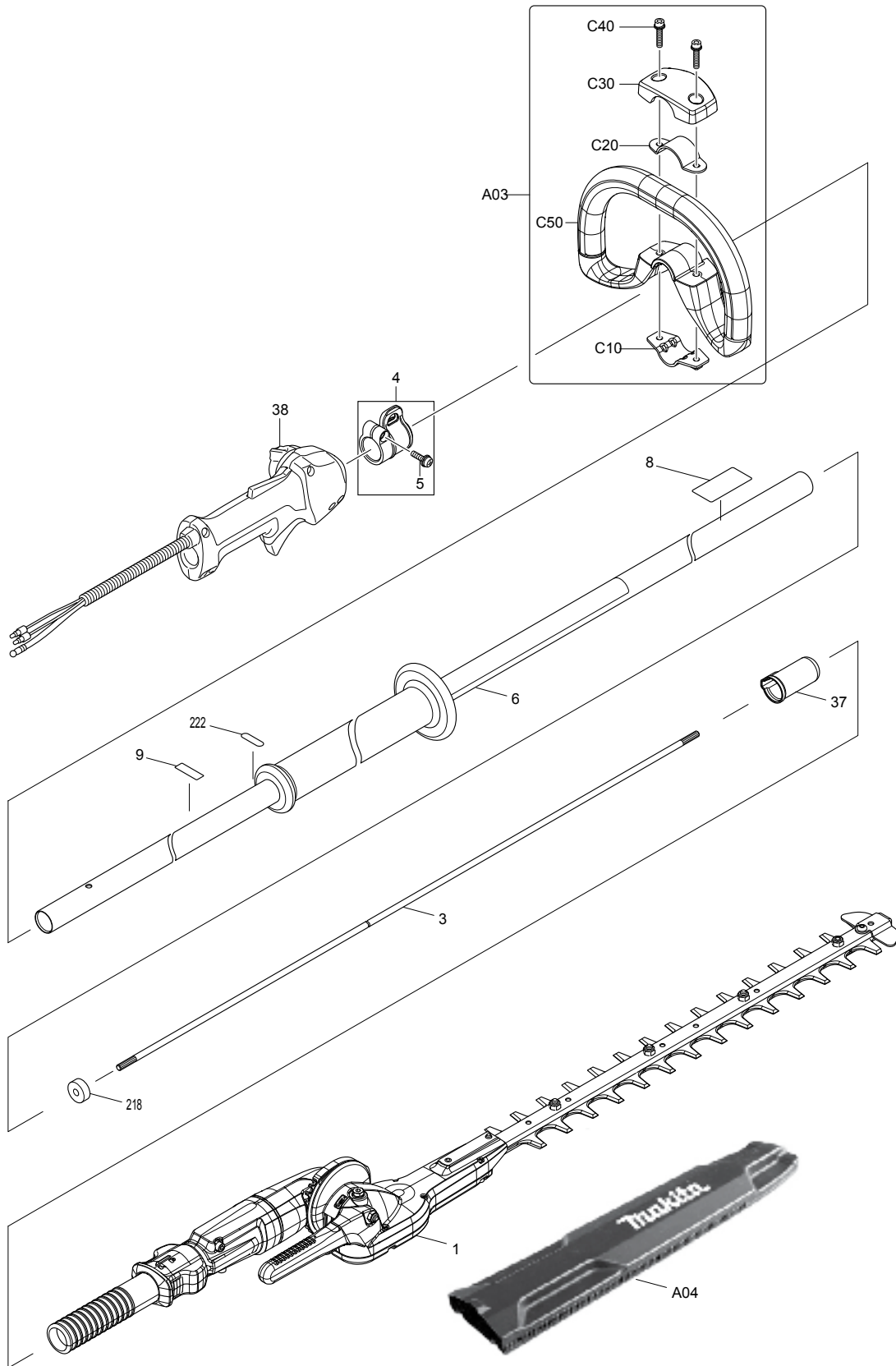


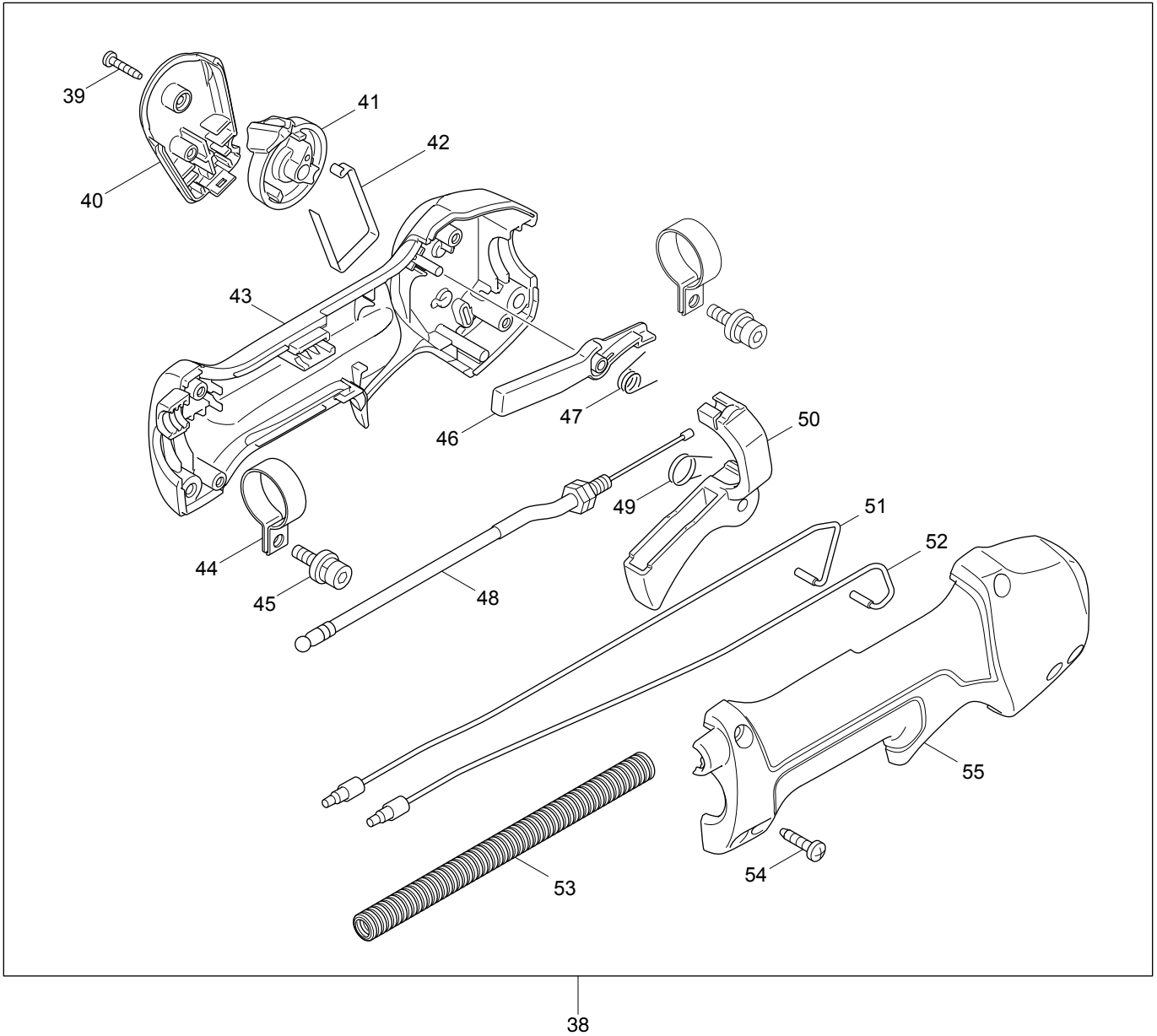


**EN4950H**



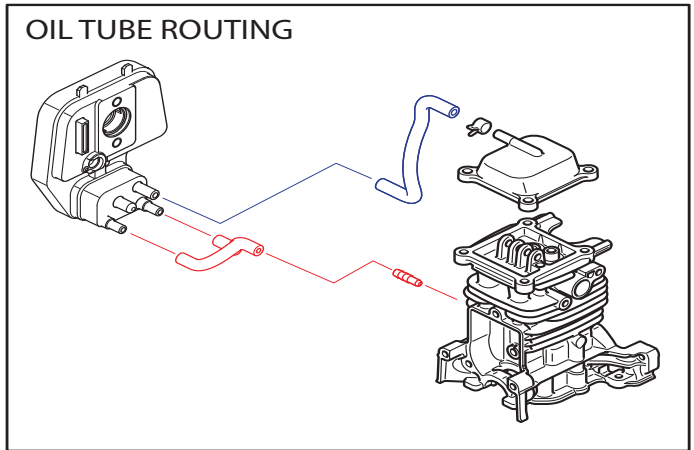
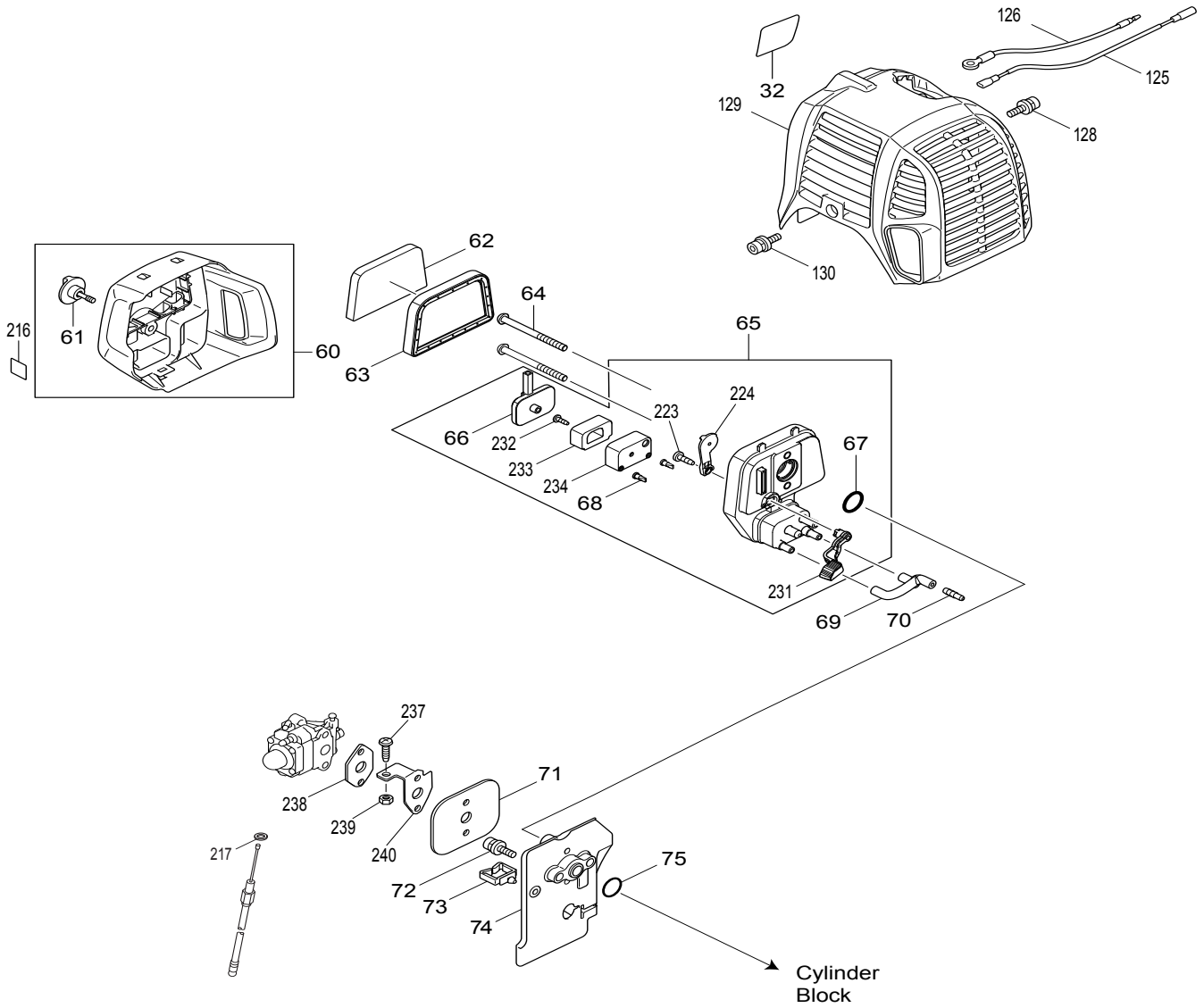
Products with multiple versions are listed in subsiding order with the newest version on top not indented.

| Section | Fig. No. | Part No. | Description                 | EN4950H | Tech Bulletin | Notes      |
|---------|----------|----------|-----------------------------|---------|---------------|------------|
| 1       | 1        | 135683-8 | TRIMMER HEAD ASS'Y          | 1       |               |            |
| 1       | 1        | 126303-5 | TRIMMER HEAD ASS'Y          | 1       |               |            |
| 1       | 3        | 324893-4 | SHAFT                       | 1       |               |            |
| 1       | 4        | 195143-2 | HANGER SET                  | 1       |               |            |
| 1       | 5        | 911233-1 | PAN HEAD SCREW M5X20        | 1       |               |            |
| 1       | 6        | 142034-8 | PIPE COMPLETE               | 1       |               |            |
| 1       | 38       | 125776-9 | CONTROL LEVER ASSEMBLY      | 1       |               | INC. 39-55 |
| 1       | 218      | 443170-6 | FELT                        | 1       |               |            |
| 1       | 222      | 808723-2 | CAUTION LABEL               | 1       |               |            |
| 1       | A03      | 195626-2 | LOOP HANDLE SET             | 1       |               |            |
| 1       | C10      | 346467-1 | CLAMP 24                    | 1       |               |            |
| 1       | C20      | 346468-9 | CLAMP 33                    | 1       |               |            |
| 1       | C30      | 452843-0 | CLAMP COVER B               | 1       |               |            |
| 1       | C40      | 922243-3 | HEX. SOCKET HEAD BOLT M5X25 | 2       |               |            |
| 1       | C50      | 452841-4 | LOOP HANDLE                 | 1       |               |            |



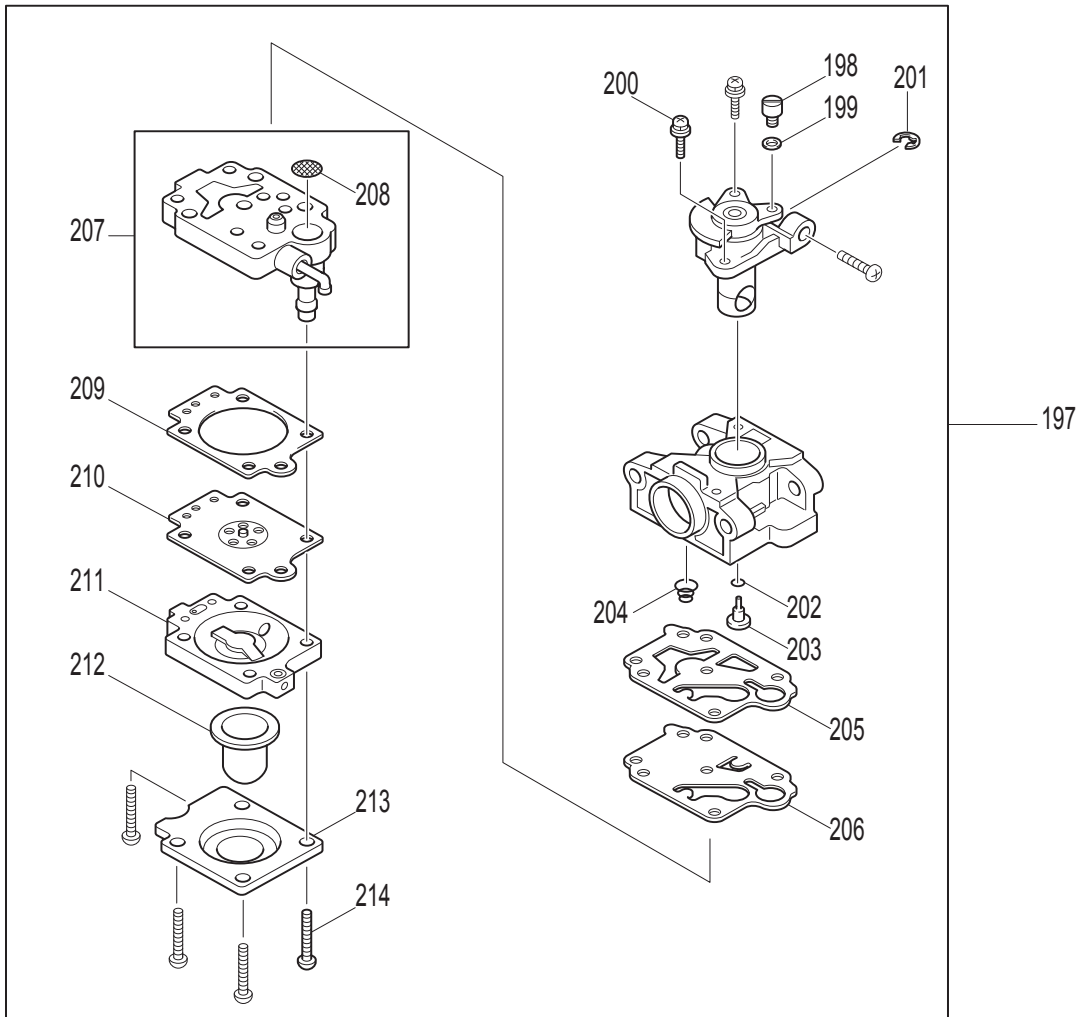
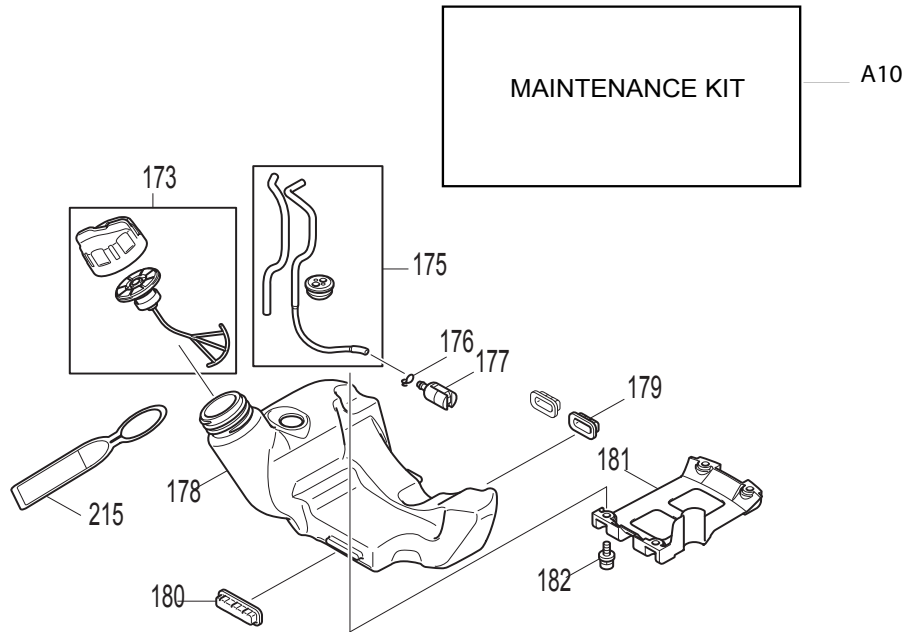
Products with multiple versions are listed in subsiding order with the newest version on top not indented.

| Section | Fig. No. | Part No. | Description                | EN4950H | Tech Bulletin | Notes |
|---------|----------|----------|----------------------------|---------|---------------|-------|
| 2       | 38       | 125776-9 | CONTROL LEVER ASSEMBLY     | 1       |               |       |
| 2       | 39       | 266130-9 | TAPPING SCREW BIND PT 3X16 | 1       |               |       |
| 2       | 40       | 451595-0 | SWITCH COVER               | 1       |               |       |
| 2       | 41       | 451594-2 | SWITCH LEVER               | 1       |               |       |
| 2       | 42       | 232251-9 | LEAF SPRING                | 1       |               |       |
| 2       | 43       | 188832-6 | LEVER CASE SET             | 1       |               |       |
| 2       | 44       | 346248-3 | CLAMP 24                   | 2       |               |       |
| 2       | 45       | 922218-2 | H.S.H.BOLT M5X14 WITH WR   | 2       |               |       |
| 2       | 46       | 451593-4 | LOCK LEVER                 | 1       |               |       |
| 2       | 47       | 233541-3 | TORSION SPRING 7           | 1       |               |       |
| 2       | 48       | 168571-4 | CONTROL CABLE              | 1       |               |       |
| 2       | 49       | 233540-5 | TORSION SPRING 11          | 1       |               |       |
| 2       | 50       | 451592-6 | THROTTLE LEVER             | 1       |               |       |
| 2       | 51       | 638714-7 | LEAD UNIT                  | 1       |               |       |
| 2       | 52       | 638713-9 | LEAD UNIT                  | 1       |               |       |
| 2       | 53       | 452071-7 | CORRUGATE TUBE             | 1       |               |       |
| 2       | 54       | 266326-2 | TAPPING SCREW 4X18         | 4       |               |       |
| 2       | 55       | 188832-6 | LEVER CASE SET             | 1       |               |       |



Products with multiple versions are listed in subsiding order with the newest version on top not indented.

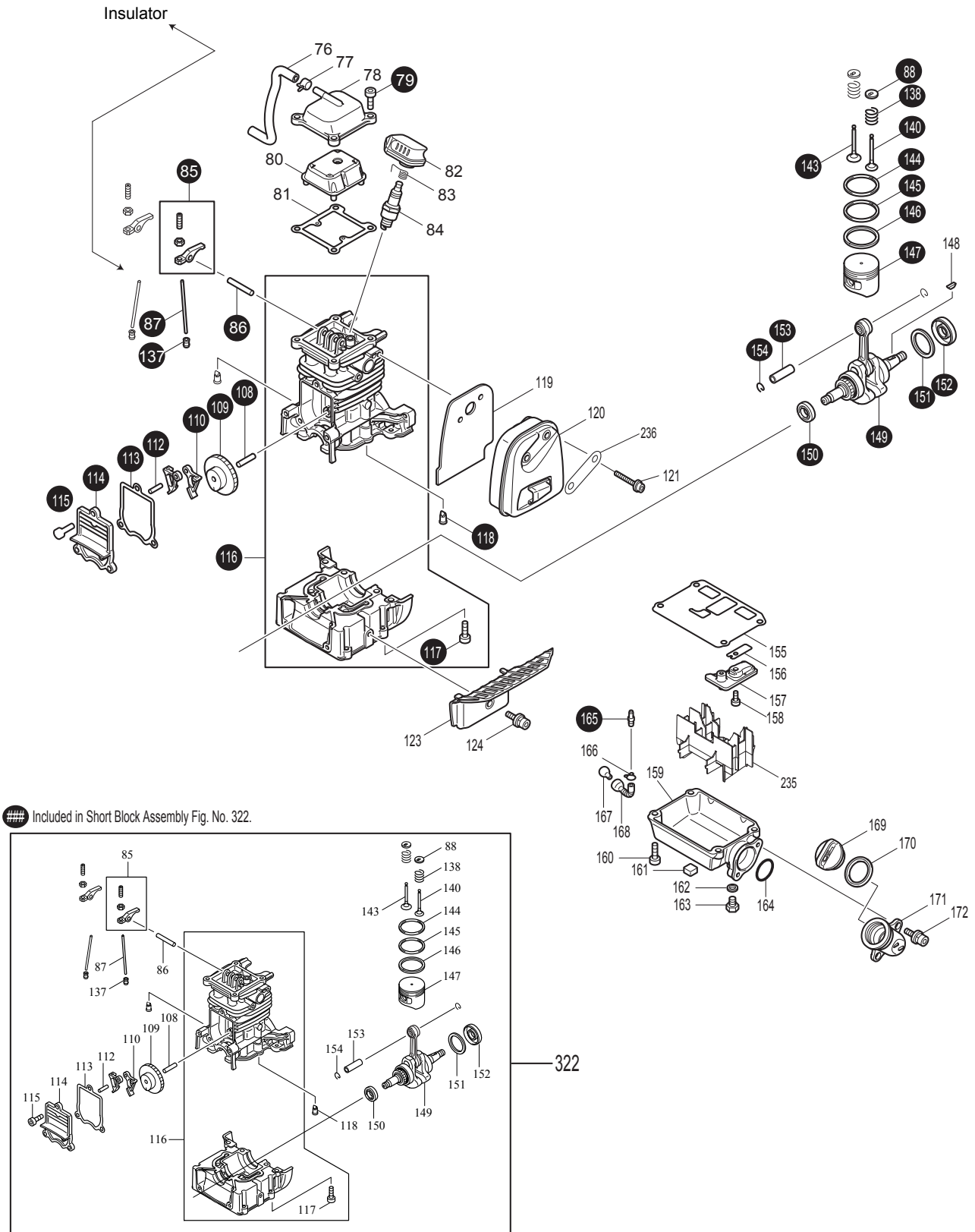
| Section | Fig. No. | Part No. | Description                 | EN4950H | Tech Bulletin | Notes |
|---------|----------|----------|-----------------------------|---------|---------------|-------|
| 3       | 60       | 123499-3 | CLEANER COVER ASSEMBLY      | 1       | B1277         |       |
| 3       | 60       | 126202-1 | CLEANER COVER ASSEMBLY      | 1       |               |       |
| 3       | 61       | 265791-2 | THUMB SCREW M4              | 1       |               |       |
| 3       | 62       | 443171-4 | AIR CLEANER ELEMENT         | 1       |               |       |
| 3       | 63       | 443169-1 | AIR CLEANER ELEMENT         | 1       |               |       |
| 3       | 64       | 266871-7 | H.S.BUTTON HEAD BOLT M5X60  | 2       |               |       |
| 3       | 65       | 123501-2 | CLEANER PLATE ASSEMBLY      | 1       | B1277         |       |
| 3       | 65       | 126198-6 | CLEANER PLATE ASSEMBLY      | 1       |               |       |
| 3       | 66       | 162346-3 | SEPARATOR PLATE             | 1       |               |       |
| 3       | 67       | 213540-1 | O RING 15                   | 1       |               |       |
| 3       | 68       | 424316-3 | CHECK VALVE                 | 2       |               |       |
| 3       | 69       | 422099-9 | PIPE                        | 1       |               |       |
| 3       | 70       | 325665-0 | JOINT PIPE                  | 1       |               |       |
| 3       | 71       | 442153-3 | CARBURETOR GASKET           | 1       |               |       |
| 3       | 72       | 266787-6 | H.S.H.BOLT M5X18 WITH WR    | 2       |               |       |
| 3       | 73       | 451825-9 | CLAMP                       | 1       |               |       |
| 3       | 74       | 451729-5 | INSULATOR                   | 1       |               |       |
| 3       | 75       | 213547-7 | O-RING 12                   | 1       |               |       |
| 3       | 125      | 638707-4 | LEAD UNIT                   | 1       |               |       |
| 3       | 126      | 638708-2 | LEAD UNIT                   | 1       |               |       |
| 3       | 128      | 922218-2 | H.S.H.BOLT M5X14 WITH WR    | 1       |               |       |
| 3       | 129      | 453266-5 | CYLINDER COVER              | 1       |               |       |
| 3       | 130      | 922218-2 | H.S.H.BOLT M5X14 WITH WR    | 1       |               |       |
| 3       | 32       | 816566-8 | GAS EMISSION APPROVAL LABEL | 1       |               |       |
| 3       | 216      | 800F73-7 | INDICATION LABEL            | 1       |               |       |
| 3       | 217      | 941151-9 | FLAT WASHER 6               | 1       |               |       |
| 3       | 223      | 266427-6 | TAPPING SCREW 4X12          | 1       |               |       |
| 3       | 224      | 452219-1 | CHOKE PLATE                 | 1       |               |       |
| 3       | 231      | 452220-6 | CHOKE LEVER                 | 1       |               |       |
| 3       | 232      | 266007-8 | TAPPING SCREW BIND PT 3X10  | 1       |               |       |
| 3       | 233      | 352020-3 | SEPARATOR MESH              | 1       |               |       |
| 3       | 234      | 453865-3 | SEPARATOR CASE              | 1       |               |       |
| 3       | 237      | 266887-2 | H.L. SOCKET HEAD BOLT M4X17 | 1       |               |       |
| 3       | 238      | 442199-9 | GASKET                      | 1       |               |       |
| 3       | 239      | 931102-0 | HEX. NUT M4                 | 1       |               |       |
| 3       | 240      | 346730-2 | HOLDER                      | 1       |               |       |





Products with multiple versions are listed in subsiding order with the newest version on top not indented.

| Section | Fig. No. | Part No. | Description                    | EN4950H | Tech Bulletin | Notes  |
|---------|----------|----------|--------------------------------|---------|---------------|--|
| 4       | 173      | 125728-0 | FUEL TANK CAP ASSEMBLY         | 1       |               |  |
| 4       | 175      | 168775-8 | TUBE COMPLETE                  | 1       |               |  |
| 4       | 176      | 282020-8 | HOSE CLAMP                     | 1       |               |  |
| 4       | 177      | 163518-3 | GASOLINE FILTER                | 1       |               |  |
| 4       | 178      | 123419-7 | FUEL TANK                      | 1       |               |  |
| 4       | 178      | 454010-3 | FUEL TANK                      | 1       |               |  |
| 4       | 179      | 424080-6 | BUFFER RUBBER                  | 2       |               |  |
| 4       | 180      | 424081-4 | BUFFER RUBBER                  | 1       |               |  |
| 4       | 181      | 451737-6 | TANK GUARD                     | 1       |               |  |
| 4       | 182      | 922218-2 | H.S.H.BOLT M5X14 WITH WR       | 4       |               |  |
| 4       | 197      | 168762-7 | CARBURETOR                     | 1       |               |  |
| 4       | 198      | 325922-6 | SWIVEL                         | 1       |               |  |
| 4       | 199      | 413140-9 | WASHER                         | 1       |               |  |
| 4       | 200      | 266581-6 | PAN HEAD SCREW M3X8 WITH W     | 2       |               |  |
| 4       | 201      | 257964-1 | STOP RING E-3                  | 1       |               |  |
| 4       | 202      | 213538-8 | O RING 2                       | 1       |               |  |
| 4       | 203      | 325985-2 | JET                            | 1       |               |  |
| 4       | 204      | 234183-6 | CONICAL COMPRESSION SPRING 5-9 | 1       |               |  |
| 4       | 205      | 442155-9 | PUMP GASKET                    | 1       |               |  |
| 4       | 206      | 168575-6 | PUMP DIAPHRAGM                 | 1       |               |  |
| 4       | 207      | 141737-1 | PUMP BODY                      | 1       |               |  |
| 4       | 208      | 352021-1 | INLET SCREEN                   | 1       |               |  |
| 4       | 209      | 442154-1 | METERING DIAPHRAGM GASKET      | 1       |               |  |
| 4       | 210      | 168620-7 | METERING DIAPHRAGM             | 1       |               |  |
| 4       | 211      | 140438-8 | AIR PURGE BODY                 | 1       |               |  |
| 4       | 212      | 424314-7 | PRIMER PUMP                    | 1       |               |  |
| 4       | 213      | 346270-0 | PRIMER PUMP COVER              | 1       |               |  |
| 4       | 214      | 266582-4 | TAPPING SCREW 3X24             | 4       |               |  |
| 4       | 215      | 810455-9 | CAUTION PLATE                  | 1       |               |  |
| 4       | 216      | 197680-2 | MAINTENANCE KIT                | 1       |               | Contains - Spark Plug, Fuel Filter,<br>Air Filters |

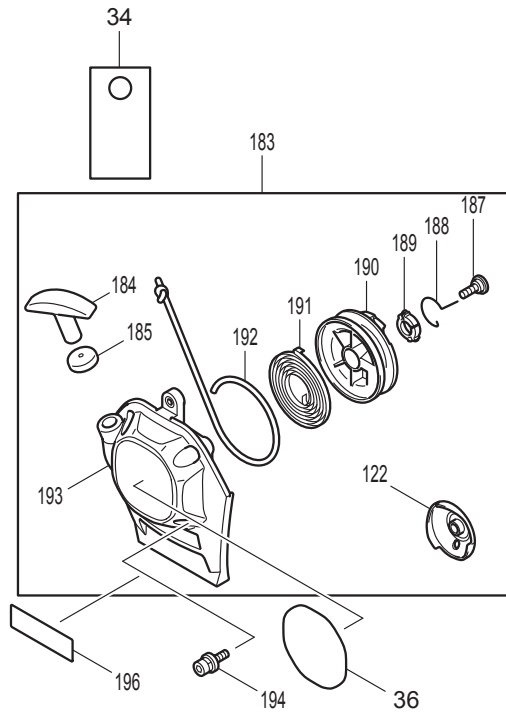
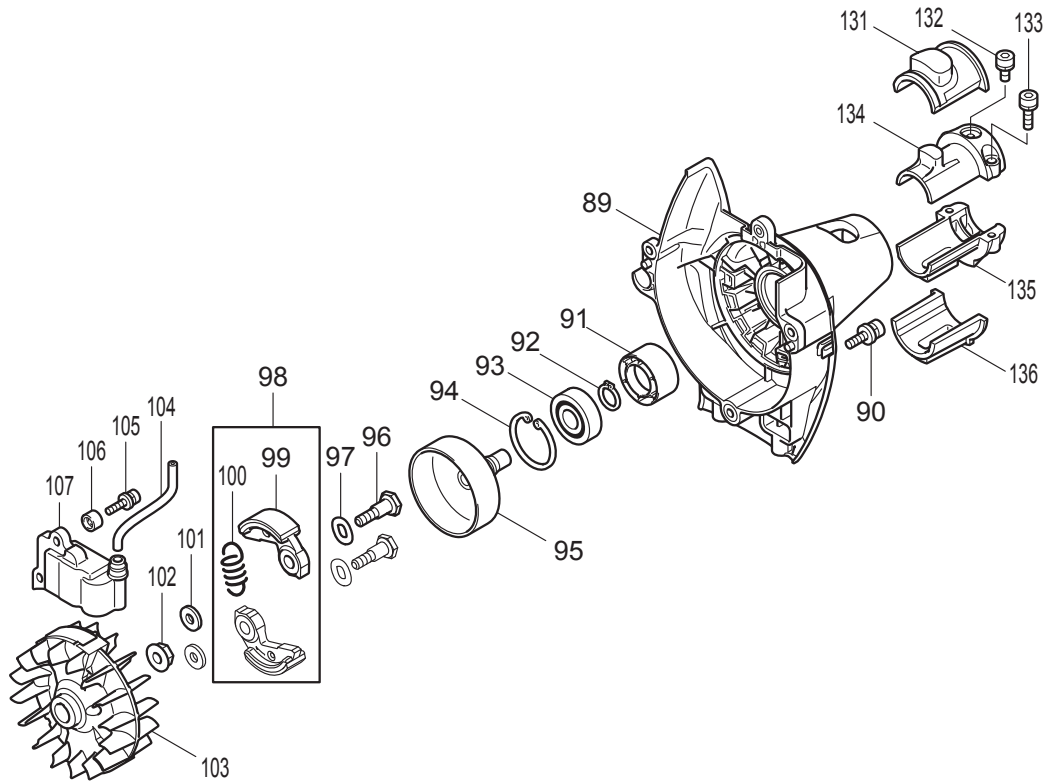


Products with multiple versions are listed in subsiding order with the newest version on top not indented.

| Section | Fig. No. | Part No. | Description                 | EN4950H | Tech Bulletin | Notes |
|---------|----------|----------|-----------------------------|---------|---------------|-------|
| 5       | 76       | 422109-2 | BREATHER PIPE               | 1       |               |       |
| 5       | 77       | 345918-1 | HOSE CLAMP                  | 1       |               |       |
| 5       | 78       | 318745-9 | ROCKER COVER OUTER          | 1       |               |       |
| 5       | 79       | 922222-1 | HEX. SOCKET HEAD BOLT M5X16 | 4       |               |       |
| 5       | 80       | 453860-3 | ROCKER COVER INNER          | 1       |               |       |
| 5       | 81       | 162304-9 | ROCKER COVER GASKET         | 1       |               |       |
| 5       | 82       | 424302-4 | PLUG CAP                    | 1       |               |       |
| 5       | 83       | 324891-8 | PLUG CAP SPRING             | 1       |               |       |
| 5       | 84       | 168534-0 | SPARK PLUG                  | 1       |               |       |
| 5       | 85       | 125554-7 | ROCKER ARM ASSEMBLY         | 2       |               |       |
| 5       | 86       | 256200-2 | PIN 5                       | 1       |               |       |
| 5       | 87       | 256865-0 | ROD 2.5                     | 2       |               |       |
| 5       | 88       | 325668-4 | SPRING RETAINER             | 2       |               |       |
| 5       | 108      | 268238-5 | PIN 5                       | 1       |               |       |
| 5       | 109      | 125552-1 | CAM GEAR ASSEMBLY           | 1       |               |       |
| 5       | 110      | 313169-4 | CAM LIFTER                  | 2       |               |       |
| 5       | 112      | 268239-3 | PIN 4                       | 1       |               |       |
| 5       | 113      | 162274-2 | CAM GEAR COVER GASKET       | 1       |               |       |
| 5       | 114      | 318443-5 | CAM GEAR COVER              | 1       |               |       |
| 5       | 115      | 922222-1 | HEX. SOCKET HEAD BOLT M5X16 | 3       |               |       |
| 5       | 116      | 135478-9 | CYLINDER BLOCK ASSEMBLY     | 1       |               |       |
| 5       | 117      | 922222-1 | HEX. SOCKET HEAD BOLT M5X16 | 6       |               |       |
| 5       | 118      | 424201-0 | CHECK VALVE                 | 2       |               |       |
| 5       | 119      | 346331-6 | MUFFLER GASKET              | 1       |               |       |
| 5       | 120      | 168554-4 | EXHAUST MUFFLER             | 1       |               |       |
| 5       | 121      | 266440-4 | HEX SOCKET HEAD BOLT M5X40  | 2       |               |       |
| 5       | 123      | 451731-8 | MUFFLER PLATE               | 1       |               |       |
| 5       | 124      | 922218-2 | H.S.H.BOLT M5X14 WITH WR    | 1       |               |       |
| 5       | 137      | 424200-2 | SPACER                      | 2       |               |       |
| 5       | 138      | 234108-0 | COMPRESSION SPRING 9        | 2       |               |       |
| 5       | 140      | 325669-2 | EXHAUST VALVE               | 1       |               |       |
| 5       | 143      | 325670-7 | INTAKE VALVE                | 1       |               |       |
| 5       | 144      | 195145-8 | PISTON RING SET             | 1       |               |       |
| 5       | 145      | 257299-0 | PISTON RING (SECOND) 34     | 1       |               |       |
| 5       | 146      | 257300-1 | PISTON RING 34              | 1       |               |       |

Products with multiple versions are listed in subsiding order with the newest version on top not indented.

| Section | Fig. No. | Part No. | Description                 | EN4950H | Tech Bulletin | Notes |
|---------|----------|----------|-----------------------------|---------|---------------|-------|
| 5       | 147      | 318441-9 | PISTON                      | 1       |               |       |
| 5       | 148      | 254040-2 | WOODRUFF KEY 3              | 1       |               |       |
| 5       | 149      | 135481-0 | CRANK SHAFT ASSEMBLY        | 1       |               |       |
| 5       | 150      | 213148-1 | OIL SEAL 10                 | 1       |               |       |
| 5       | 151      | 267400-9 | FLAT WASHER 23              | 1       |               |       |
| 5       | 152      | 213147-3 | OIL SEAL 12                 | 1       |               |       |
| 5       | 153      | 257781-9 | PISTON PIN                  | 1       |               |       |
| 5       | 154      | 233976-8 | CLIP                        | 2       |               |       |
| 5       | 155      | 162345-5 | OIL CASE GASKET             | 1       |               |       |
| 5       | 156      | 346083-9 | LEAD VALVE                  | 1       |               |       |
| 5       | 157      | 318910-0 | RETAINER PLATE              | 1       |               |       |
| 5       | 158      | 922112-8 | HEX. SOCKET HEAD BOLT M4X10 | 1       |               |       |
| 5       | 159      | 318588-9 | OIL CASE                    | 1       |               |       |
| 5       | 160      | 922222-1 | HEX. SOCKET HEAD BOLT M5X16 | 4       |               |       |
| 5       | 161      | 424344-8 | DAMPER                      | 1       |               |       |
| 5       | 162      | 346305-7 | GASKET                      | 1       |               |       |
| 5       | 163      | 266611-3 | HEX BOLT M6X8               | 1       |               |       |
| 5       | 164      | 213548-5 | O-RING 20                   | 1       |               |       |
| 5       | 165      | 325665-0 | JOINT PIPE                  | 1       |               |       |
| 5       | 166      | 282020-8 | HOSE CLAMP                  | 1       |               |       |
| 5       | 167      | 325666-8 | OIL WEIGHT                  | 1       |               |       |
| 5       | 168      | 424301-6 | OIL TUBE                    | 1       |               |       |
| 5       | 169      | 452047-4 | OIL CAP                     | 1       |               |       |
| 5       | 170      | 424343-0 | GASKET                      | 1       |               |       |
| 5       | 171      | 452048-2 | OIL PIPE                    | 1       |               |       |
| 5       | 172      | 922218-2 | H.S.H.BOLT M5X14 WITH WR    | 2       |               |       |
| 5       | 235      | 453862-9 | OIL CASE PLATE              | 1       |               |       |
| 5       | 236      | 346732-8 | PLATE                       | 1       |               |       |
| 5       | 322      | 135668-4 | SHORT BLOCK ASSEMBLY        | 1       | Y06451        |       |
| 5       | 322      | 135599-7 | SHORT BLOCK ASSEMBLY        | 1       | Y06451        |       |

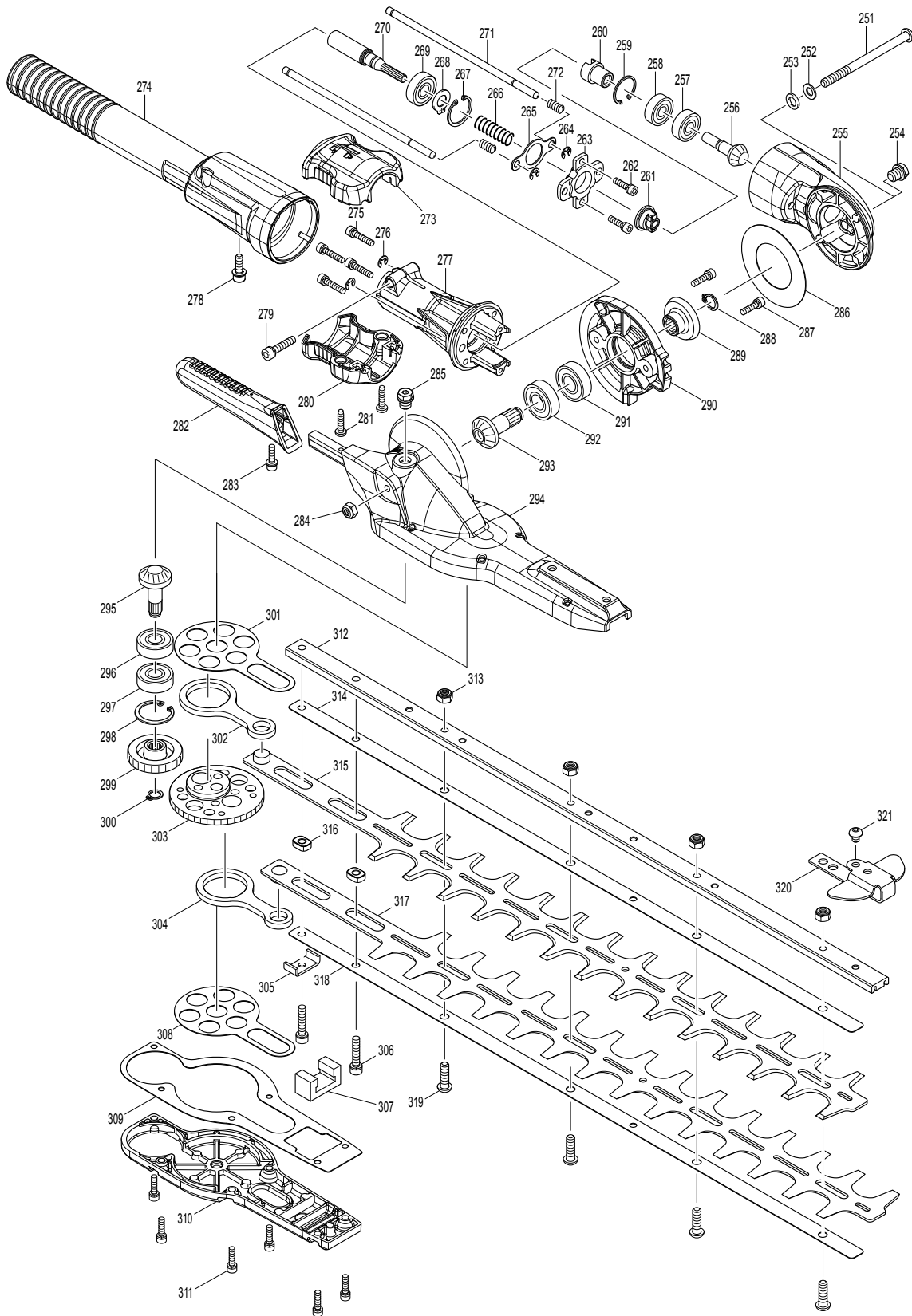


Products with multiple versions are listed in subsiding order with the newest version on top not indented.

| Section | Fig. No. | Part No. | Description                 | EN4950H | Tech Bulletin | Notes |
|---------|----------|----------|-----------------------------|---------|---------------|-------|
| 6       | 34       | 819432-8 | CAUTION TAG                 | 1       |               |       |
| 6       | 89       | 451735-0 | CLUTCH CASE                 | 1       |               |       |
| 6       | 90       | 922228-9 | H.S.H.BOLT M5X18 WITH WR    | 3       |               |       |
| 6       | 91       | 450569-8 | SPACER                      | 1       |               |       |
| 6       | 92       | 961052-5 | RETAINING RING S-12         | 1       |               |       |
| 6       | 93       | 210111-5 | BALL BEARING 6201LLU        | 1       |               |       |
| 6       | 94       | 962151-6 | RETAINING RING R-32         | 1       |               |       |
| 6       | 95       | 168809-7 | CLUTCH DRUM                 | 1       |               |       |
| 6       | 96       | 266864-4 | SHOULDER HEX. BOLT M6X25    | 2       |               |       |
| 6       | 97       | 267817-6 | WASHER 8                    | 2       |               |       |
| 6       | 98       | 126135-0 | CLUTCH ASSEMBLY             | 1       |               |       |
| 6       | 99       | 168498-8 | CLUTCH SHOE                 | 2       |               |       |
| 6       | 100      | 231881-3 | TENSION SPRING 7            | 1       |               |       |
| 6       | 101      | 267812-6 | WASHER 6                    | 2       |               |       |
| 6       | 102      | 264039-9 | FLANGE NUT                  | 1       |               |       |
| 6       | 103      | 318569-3 | FLYWHEEL                    | 1       |               |       |
| 6       | 104      | 444021-6 | TUBE                        | 1       |               |       |
| 6       | 105      | 266602-4 | HEX. SOCKET HEAD BOLT M4X20 | 2       |               |       |
| 6       | 106      | 452049-0 | SPACER                      | 2       |               |       |
| 6       | 107      | 168559-4 | IGNITION COIL               | 1       |               |       |
| 6       | 122      | 168483-1 | PULLEY                      | 1       |               |       |
| 6       | 131      | 424082-2 | BUFFER RUBBER               | 1       |               |       |
| 6       | 132      | 922211-6 | HEX. SOCKET HEAD BOLT M5X12 | 1       |               |       |
| 6       | 133      | 922226-3 | HEX. SOCKET HEAD BOLT M5X18 | 2       |               |       |
| 6       | 134      | 318249-1 | PIPE HOLDER                 | 1       |               |       |
| 6       | 135      | 318250-6 | PIPE HOLDER                 | 1       |               |       |
| 6       | 136      | 424083-0 | BUFFER RUBBER               | 1       |               |       |
| 6       | 183      | 195308-6 | RECOIL STARTER SET          | 1       |               |       |
| 6       | 184      | 424319-7 | STARTER KNOB                | 1       |               |       |
| 6       | 185      | 424359-5 | DAMPER                      | 1       |               |       |
| 6       | 187      | 266585-8 | TAPPING SCREW 5X12          | 1       |               |       |
| 6       | 188      | 325923-4 | SWING ARM                   | 1       |               |       |
| 6       | 189      | 451938-6 | COLLAR                      | 1       |               |       |
| 6       | 190      | 451937-8 | REEL                        | 1       |               |       |

Products with multiple versions are listed in subsiding order with the newest version on top not indented.

| Section | Fig. No. | Part No. | Description              | EN4950H | Tech Bulletin | Notes |
|---------|----------|----------|--------------------------|---------|---------------|-------|
| 6       | 191      | 232258-5 | SPIRAL SPRING            | 1       |               |       |
| 6       | 192      | 444023-2 | STARTER ROPE             | 1       |               |       |
| 6       | 193      | 451733-4 | STARTER CASE             | 1       |               |       |
| 6       | 194      | 922223-9 | H.S.H.BOLT M5X16 WITH WR | 4       |               |       |
| 6       | 196      | 816565-0 | MAKITA LOGO LABEL        | 1       |               |       |





Products with multiple versions are listed in subsiding order with the newest version on top not indented.

| Section | Fig. No. | Part No. | Description                 | EN4950H | Tech Bulletin | Notes |
|---------|----------|----------|-----------------------------|---------|---------------|-------|
| 7       | 251      | 266817-3 | H.S. BUTTON HEAD BOLT M6X85 | 1       |               |       |
| 7       | 252      | 232279-7 | CONED DISC SPRING 6         | 1       |               |       |
| 7       | 253      | 941151-9 | FLAT WASHER 6               | 1       |               |       |
| 7       | 254      | 266818-1 | HEX. SOCKET HEX. BOLT M8X8  | 1       |               |       |
| 7       | 255      | 318969-7 | JOINT                       | 1       |               |       |
| 7       | 256      | 227604-5 | SPIRAL BEVEL GEAR 9         | 1       |               |       |
| 7       | 257      | 211032-4 | BALL BEARING 608ZZ          | 1       |               |       |
| 7       | 258      | 211032-4 | BALL BEARING 608ZZ          | 1       |               |       |
| 7       | 259      | 962102-9 | RETAINING RING R-22         | 1       |               |       |
| 7       | 260      | 310534-8 | CAM A                       | 1       |               |       |
| 7       | 261      | 310535-6 | CAM B                       | 1       |               |       |
| 7       | 262      | 922126-7 | HEX. SOCKET HEAD BOLT M4X16 | 2       |               |       |
| 7       | 263      | 313254-3 | HOLDER PLATE                | 1       |               |       |
| 7       | 264      | 961011-9 | STOP RING E-4               | 2       |               |       |
| 7       | 265      | 346657-6 | SLIDE PLATE                 | 1       |               |       |
| 7       | 266      | 231297-2 | COMPRESSION SPRING 9        | 1       |               |       |
| 7       | 267      | 962103-7 | RETAINING RING R-24         | 1       |               |       |
| 7       | 268      | 961005-4 | RETAINING RING S-9          | 1       |               |       |
| 7       | 269      | 210049-4 | BALL BEARING 609ZZ          | 1       |               |       |
| 7       | 270      | 142000-5 | SPINDLE COMPLETE            | 1       |               |       |
| 7       | 271      | 326812-6 | ROD 5                       | 2       |               |       |
| 7       | 271      | 326256-0 | ROD 5                       | 2       |               |       |
| 7       | 272      | 233117-6 | COMPRESSION SPRING 6        | 2       |               |       |
| 7       | 273      | 187575-7 | SLIDE LEVER SET             | 1       |               |       |
| 7       | 274      | 454249-8 | COVER                       | 1       |               |       |
| 7       | 275      | 265493-0 | HEX. SOCKET HEAD BOLT M4X20 | 4       |               |       |
| 7       | 276      | 961011-9 | STOP RING E-4               | 2       |               |       |
| 7       | 277      | 318970-2 | PIPE HOLDER                 | 1       |               |       |
| 7       | 278      | 922223-9 | H.S.H.BOLT M5X16 WITH WR    | 1       |               |       |
| 7       | 279      | 922241-7 | HEX. SOCKET HEAD BOLT M5X25 | 1       |               |       |
| 7       | 280      | 187575-7 | SLIDE LEVER SET             | 1       |               |       |
| 7       | 281      | 265995-6 | TAPPING SCREW 4X18          | 2       |               |       |
| 7       | 282      | 454248-0 | GRIP                        | 1       |               |       |
| 7       | 283      | 922128-3 | HEX. SOCKET HEAD BOLT M4X16 | 1       |               |       |

Products with multiple versions are listed in subsiding order with the newest version on top not indented.

| Section | Fig. No. | Part No. | Description                 | EN4950H | Tech Bulletin | Notes |
|---------|----------|----------|-----------------------------|---------|---------------|-------|
| 7       | 284      | 252190-7 | HEX.LOCK NUT M6-10          | 1       |               |       |
| 7       | 285      | 266818-1 | HEX. SOCKET HEX. BOLT M8X8  | 1       |               |       |
| 7       | 286      | 267467-7 | FLAT WASHER 36              | 1       |               |       |
| 7       | 287      | 922126-7 | HEX. SOCKET HEAD BOLT M4X16 | 2       |               |       |
| 7       | 288      | 961006-2 | RETAINING RING S-10         | 1       |               |       |
| 7       | 289      | 227605-3 | SPIRAL BEVEL GEAR 22        | 1       |               |       |
| 7       | 290      | 310533-0 | ANGLAR PLATE                | 1       |               |       |
| 7       | 291      | 211148-5 | BALL BEARING 6001ZZ         | 1       |               |       |
| 7       | 292      | 211148-5 | BALL BEARING 6001ZZ         | 1       |               |       |
| 7       | 293      | 227606-1 | SPIRAL BEVEL GEAR 11        | 1       |               |       |
| 7       | 294      | 142018-6 | GEAR HOUSING COMPLETE       | 1       |               |       |
| 7       | 295      | 227607-9 | SPIRAL BEVEL GEAR 12        | 1       |               |       |
| 7       | 296      | 211062-5 | BALL BEARING 6000ZZ         | 1       |               |       |
| 7       | 297      | 211062-5 | BALL BEARING 6000ZZ         | 1       |               |       |
| 7       | 298      | 962105-3 | RETAINING RING R-26         | 1       |               |       |
| 7       | 299      | 227317-8 | SPUR GEAR 24                | 1       |               |       |
| 7       | 300      | 961004-6 | RETAINING RING S-8          | 1       |               |       |
| 7       | 301      | 346658-4 | PLATE                       | 1       |               |       |
| 7       | 302      | 346251-4 | CONNECTING ROD              | 1       |               |       |
| 7       | 303      | 227248-1 | SPUR GEAR 43                | 1       |               |       |
| 7       | 304      | 346251-4 | CONNECTING ROD              | 1       |               |       |
| 7       | 305      | 346256-4 | HOLDER                      | 1       |               |       |
| 7       | 306      | 922241-7 | HEX. SOCKET HEAD BOLT M5X25 | 2       |               |       |
| 7       | 307      | 443159-4 | SEAL                        | 1       |               |       |
| 7       | 308      | 346658-4 | PLATE                       | 1       |               |       |
| 7       | 309      | 423458-0 | GASKET                      | 1       |               |       |
| 7       | 310      | 318968-9 | UNDER COVER                 | 1       |               |       |
| 7       | 311      | 922126-7 | HEX. SOCKET HEAD BOLT M4X16 | 6       |               |       |
| 7       | 312      | 332058-4 | GUIDE BAR                   | 1       |               |       |
| 7       | 313      | 264089-4 | HEX. LOCK NUT M6-10         | 4       |               |       |
| 7       | 314      | 346665-7 | PLATE                       | 1       |               |       |
| 7       | 315      | 725187-4 | SHEAR BLADE                 | 1       |               |       |
| 7       | 316      | 313211-1 | SLEEVE 5                    | 2       |               |       |
| 7       | 317      | 725187-4 | SHEAR BLADE                 | 1       |               |       |

Products with multiple versions are listed in subsiding order with the newest version on top not indented.

| Section | Fig. No. | Part No. | Description                 | EN4950H | Tech Bulletin | Notes |
|---------|----------|----------|-----------------------------|---------|---------------|-------|
| 7       | 318      | 346665-7 | PLATE                       | 1       |               |       |
| 7       | 319      | 266824-6 | H.S. BUTTON HEAD BOLT M6X20 | 4       |               |       |
| 7       | 320      | 346629-1 | END COVER                   | 1       |               |       |
| 7       | 321      | 266075-1 | H.S.H.BOLT M5X6, EN5950SH   | 1       |               |       |