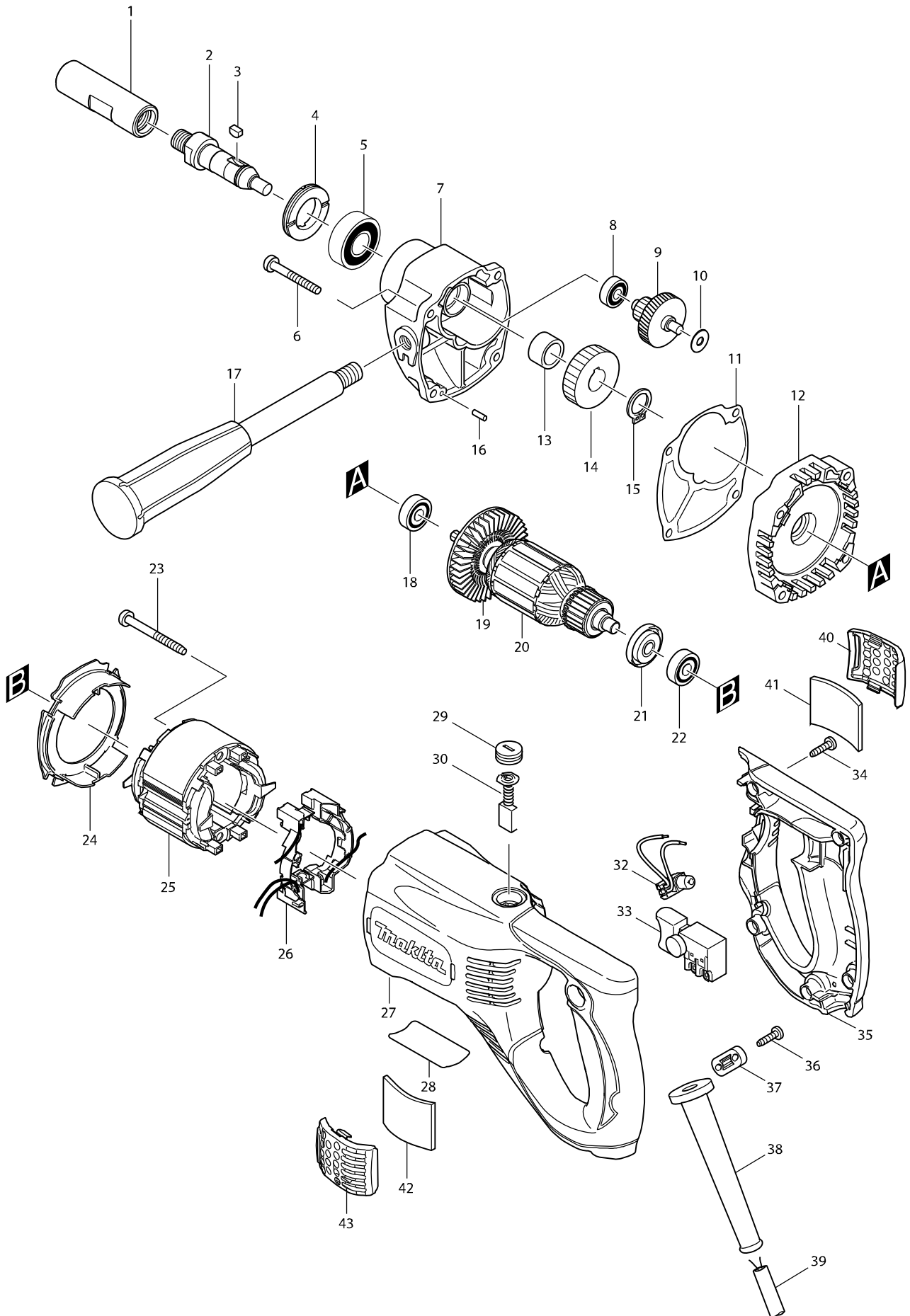


Model No. UT1305 MIXER



Item	Parts No.	Description	I/C	Qty	N/O	Opt. 1	Opt. 2	Note
001	323962-8	SHAFT HOLDER		1				
002	324259-8	SPINDLE		1				
003	254011-9	WOODRUFF KEY 4		1				
004	285807-7	BEARING RETAINER 22-36		1				
005	211206-7	BALL BEARING 6202LLB		1				
006	266211-9	TAPPING SCREW 5X40		4				
007	317551-9	GEAR HOUSING		1				
008	211021-9	BALL BEARING 607LLB		1				
009	226153-9	GEAR COMPLETE 12-41		1				
010	253804-1	FLAT WASHER 6		1				
011A	419528-1	GASKET		1	*			
011-1A	419528-1	GASKET	O	1				
011-1G	419528-1	GASKET		1				
012	153386-2	GEAR HOUSING COVER COMPLETE		1				
013	257719-4	SLEEVE 15		1				
014	226559-1	HELICAL GEAR 34		1				
015	961055-9	RETAINING RING S-15		1				
016	256180-2	PIN 3		1				
017	152892-4	GRIP COMPLETE		1				
018	211031-6	BALL BEARING 608LLB		1				
019	241850-6	FAN 60		1				
D10		INC. 18,19,21,22						
020A	513654-9	ARMATURE ASS'Y 240V		1				
020G	518659-4	ARMATURE ASS'Y 115V		1				
021	681644-1	INSULATION WASHER		1				
022	211031-6	BALL BEARING 608LLB		1				
023	266046-8	TAPPING SCREW 5X50		2				
024	419417-0	BAFFLE PLATE		1				
025A	634554-1	FIELD 230-240V		1				
025G	639041-5	FIELD 115V		1				
026	638439-3	SUPPORT COMPLETE		1				
027	154874-2	MOTOR HOUSING COMPLETE		1				
C10	643708-9	BRUSH HOLDER 5-11		2				
028	862262-6	UT1305 NAME PLATE		1				
029	643750-0	BRUSH HOLDER CAP 7-11		2	*			
029-1	643515-0	HOLDER CAP 7-11	O	2				
030	191963-2	CARBON BRUSH CB-303		1				
032A	631706-5	PILOT LAMP		1				
032G	631701-5	PILOT LAMP		1				
033	650203-2	SWITCH SGEL115CD-1		1				
034	265995-6	TAPPING SCREW 4X18		5				
035	419416-2	HANDLE COVER		1				
036	265995-6	TAPPING SCREW 4X18		2				
037	687063-9	CORD CLAMP		1				
038	682559-5	CORD GUARD 8		1				
039A	692021-2	POWER SUPPLY CORD 1.0-2-2.5		1				
039G	664013-1	POWER SUPPLY CORD AWG#18-2-2.8		1				
040	345691-3	COVER		1				

