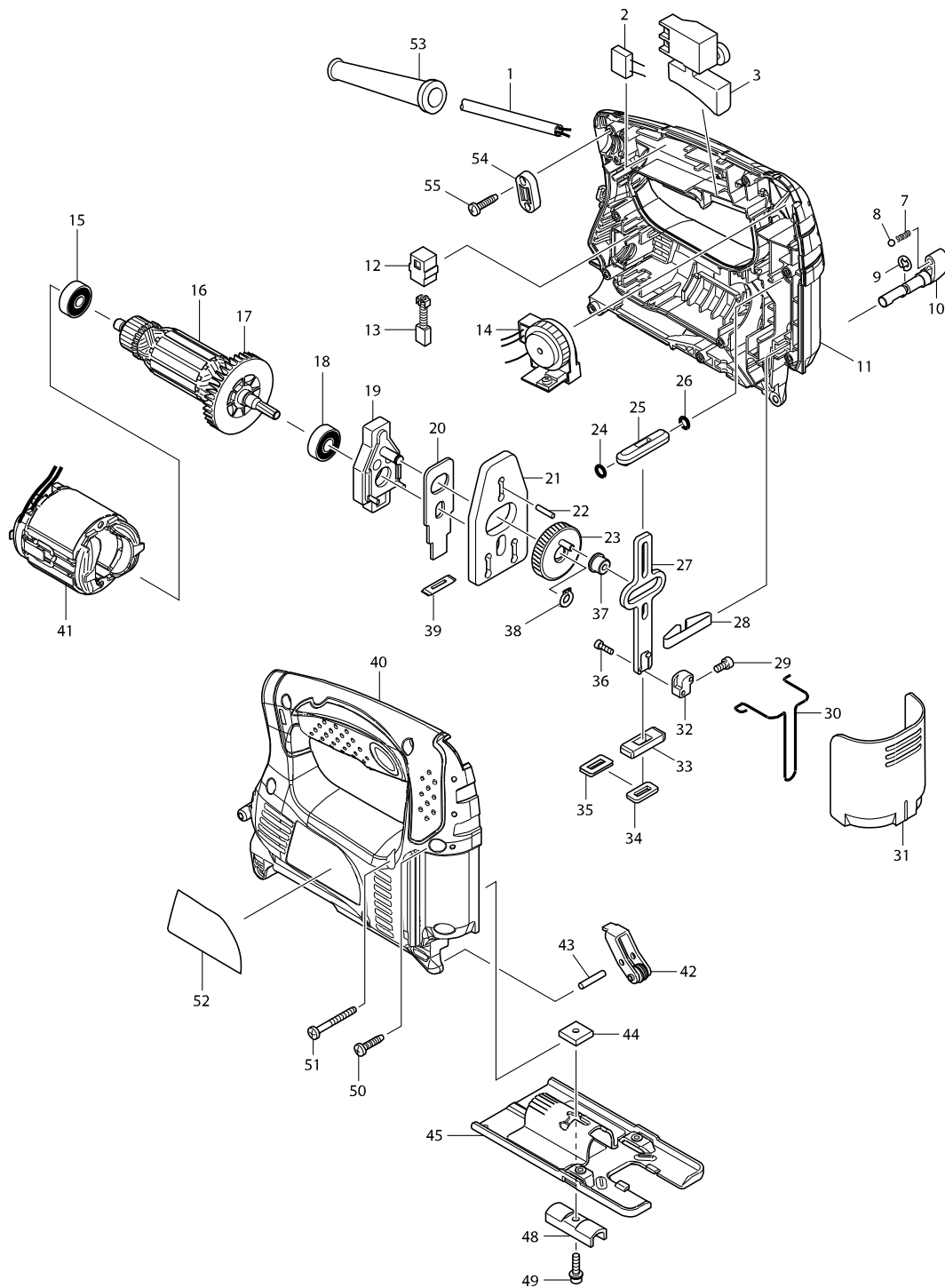


Modelo 4328 SIERRA CALADORA



| Pieza | Código | Descripción | Info | CTD. | N/O | Opc. 1 | Opc. 2 | OBS. |
|-------|----------|------------------------------------|------|------|-----|--------|--------|------|
| 001 | 664881-2 | CABLE DE ALIMENTACIÉN # 18-2-2.0 P | | 1 | | | | |
| 003 | 651286-5 | INTERRUPTOR P/4323, 4322 | | 1 | | | | |
| 007 | 233151-6 | RESORTE DE COMPRESION 4 P/4324 | | 1 | | | | |
| 008 | 216008-6 | BOLLILLA DE ACERO 4.0 6906 | | 1 | | | | |
| 009 | 961011-9 | SEGURO TIPO E P/HR2440 | | 1 | | | | |
| 010 | 272239-7 | PALANCA 18 P/4324 | | 1 | | | | |
| 011 | 188338-4 | JUEGO DE CARCAZA P/4328 | | 1 | | | | |
| C10 | 263002-9 | PERNO DE GOMA 4 P/5007NB, JR3000 | | 2 | | | | |
| D10 | | INC. 40 | | | | | | |
| 012 | 643562-1 | TAPA DE DEPOSITO P/MT811 | | 2 | * | | | |
| 012-1 | 643552-4 | PORTA CARBON 5-8 P/GE0600, 9035 | O | 2 | | | | |
| 013 | 191956-9 | JUEGO DE CARBONES CB-75 P/BO370 | | 1 | * | | | |
| 013-1 | 194971-2 | JUEGO DE CARBONES CB-75 | < | 1 | | | | |
| 014 | 631265-9 | CONTROLADOR 100-120V P/4323 | | 1 | * | | | |
| 014-1 | 620408-8 | CONTROLLER 100-120V | O | 1 | | | | |
| 015 | 210025-8 | BALERO 627LLB P/BO4510,JS1660,432 | | 1 | | | | |
| 016 | 515716-9 | ARMADURA P/4328 | | 1 | | | | |
| D10 | | INC. 15,17,18 | | | | | | |
| 017 | 241881-5 | VENTILADOR 25 P/6821, 6410 | | 1 | | | | |
| 018 | 210005-4 | BALERO 608DDW P/HP2030, 4323, 432 | | 1 | | | | |
| 019 | 152600-3 | CAJA DE BALEROS COMP. P/4324 | | 1 | | | | |
| 020 | 344683-9 | BASE P/4324 | | 1 | | | | |
| 021 | 344614-8 | BALANCEADOR P/4322, 4323 | | 1 | | | | |
| 022 | 256254-9 | PERNO 3 P/4323 | | 1 | | | | |
| 023 | 153260-4 | ENGRANE COMP. P/4324 | | 1 | | | | |
| 024 | 213038-8 | EMPAQUE "O" 5 P/4323 | | 1 | | | | |
| 025 | 313082-6 | CURSOR P/4322, 4323 | | 1 | | | | |
| 026 | 213038-8 | EMPAQUE "O" 5 P/4323 | | 1 | | | | |
| 027 | 344613-0 | CURSOR P/4323, 4322 | | 1 | | | | |
| 028 | 232183-0 | RESORTE IZQUIERDO P/4324 | | 1 | | | | |
| 029 | 922107-1 | TORNILLO M4-8 4300DW ONT A 922106 | | 1 | | | | |
| 030 | 323748-0 | SEGURO P/4323, 4322 | | 1 | | | | |
| 031 | 416476-5 | CUBIERTA CONTRA POLVO P/4323,432 | | 1 | | | | |
| 032 | 313140-8 | PRISIONERO DE LA CUCHILLA P/4328 | | 1 | | | | |
| 033 | 313086-8 | SOPORTE DESLIZABLE P/4324 | | 1 | | | | |
| 034 | 423307-1 | TAPA P/4323, 4322 | | 1 | | | | |
| 035 | 344686-3 | BASE P/4324 | | 1 | | | | |
| 036 | 266177-3 | TORNILLO HEX. M2X10 P/4322 | | 2 | | | | |
| 037 | 257683-9 | MANGO P/4323, 4322 | | 1 | | | | |
| 038 | 961002-0 | SEGURO DE RETEN S-6 P/VR251DW | | 1 | | | | |
| 039 | 416703-0 | TAPA CONTRA EL POLVO P/4324 | | 1 | | | | |
| 040 | 188338-4 | JUEGO DE CARCAZA P/4328 | | 1 | | | | |
| C10 | 263002-9 | PERNO DE GOMA 4 P/5007NB, JR3000 | | 2 | | | | |
| D10 | | INC. 11 | | | | | | |
| 041 | 633656-0 | CAMPO 115V P/4328 | | 1 | | | | |
| 042 | 158392-2 | RODILLO P/4328 | | 1 | | | | |
| 043 | 256117-9 | PERNO 4 P/4324 | | 1 | | | | |
| 044 | 343540-8 | SOPORTE P/4323, 4322 | | 1 | | | | |

