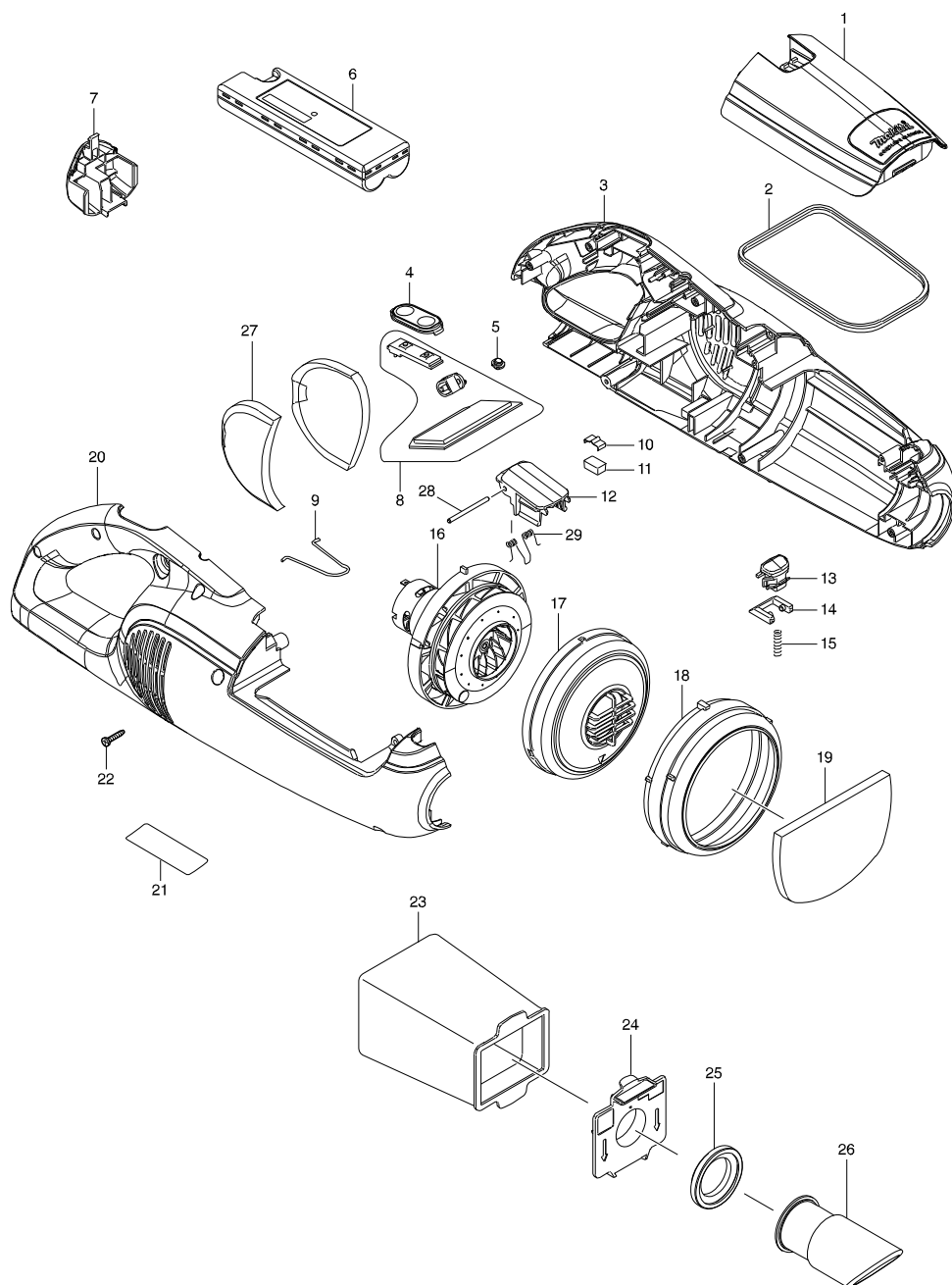


Modelo CL104D CORDLESS CLEANER



Modelo CL104D CORDLESS CLEANER

Página 1 / 2

| Pieza | Código | Descripción | Info | CTD. | N/O | Opc. 1 | Opc. 2 | OBS. |
|--------|----------|----------------------------|------|------|-----|--------|--------|------|
| 001A | 455253-0 | FRONT COVER | | 1 | | | | |
| 001B | 457234-0 | FRONT COVER | | 1 | | | | |
| 002 | 424528-8 | SEAL | | 1 | | | | |
| D10 | | INC. 20 | | | | | | |
| 003A | 187931-1 | HOUSING SET | | 1 | | | | |
| 003B | 183E97-5 | HOUSING SET | | 1 | | | | |
| 004A | 142707-3 | SWITCH PLATE COMPLETE | | 1 | * | | | |
| 004-1A | 143095-1 | SWITCH PLATE COMPLETE | < | 1 | | | | |
| 004-1B | 143095-1 | SWITCH PLATE COMPLETE | | 1 | | | | |
| 005 | 450522-4 | LENS | | 1 | | | | |
| 006 | 632C24-2 | BATTERY | | 1 | | | | |
| 007A | 455250-6 | COVER | | 1 | | | | |
| 007B | 457233-2 | COVER | | 1 | | | | |
| 008A | 620175-5 | CONTROLLER | | 1 | * | | | |
| 008-1A | 620453-3 | CONTROLLER | < | 1 | | | | |
| 008-1B | 620453-3 | CONTROLLER | | 1 | | | | |
| 009 | 324885-3 | HANGER | | 1 | | | | |
| 010 | 232264-0 | LEAF SPRING | | 1 | | | | |
| 011 | 424367-6 | RUBBER | | 1 | | | | |
| 012A | 455249-1 | FRONT COVER JOINT | | 1 | | | | |
| 012B | 457232-4 | FRONT COVER JOINT | | 1 | | | | |
| 013A | 455251-4 | BUTTON | | 1 | | | | |
| 013B | 457235-8 | BUTTON | | 1 | | | | |
| 014 | 455027-9 | STOPPER | | 1 | | | | |
| 015 | 233344-5 | COMPRESSION SPRING 4 | | 1 | | | | |
| 016 | 126231-4 | MOTOR ASSEMBLY | | 1 | | | | |
| 017 | 454084-4 | FAN COVER | | 1 | | | | |
| 018 | 424320-2 | RUBBER RING | | 1 | | | | |
| 019A | 423287-1 | SPONGE SHEET 70-106 | | 1 | * | | | |
| 019-1A | 424804-0 | SUPONGE SHEET 76-110 | < | 1 | | | | |
| 019-1B | 424804-0 | SUPONGE SHEET 76-110 | | 1 | | | | |
| D10 | | INC. 3 | | | | | | |
| 020A | 187931-1 | HOUSING SET | | 1 | | | | |
| 020B | 183E97-5 | HOUSING SET | | 1 | | | | |
| 021 | 815T81-9 | CL104D NAME PLATE | | 1 | | | | |
| 022 | 266130-9 | TAPPING SCREW BIND PT 3X16 | | 8 | | | | |
| 023 | 166084-9 | DUST BAG | | 1 | | | | |
| 024 | 141088-2 | VALVE STAY COMPLETE | | 1 | | | | |
| 025 | 424094-5 | PACKING | | 1 | | | | |
| 026A | 451400-1 | INLET (BLUE) | | 1 | | | | |
| 026B | 457230-8 | INLET | | 1 | | | | |
| 027 | 423444-1 | SPONGE SHEET 52-76 | | 2 | | | | |
| 028 | 268271-7 | PIN 3 | | 1 | | | | |
| 029 | 233580-3 | TORSION SPRING 4 | | 1 | | | | |
| A01A | 122859-6 | NOZZLE ASS'Y | | 1 | * | | | |
| C10 | 451410-8 | ROLLER | | 4 | * | | | |
| C20 | 268208-4 | PIN 3 | | 4 | * | | | |
| C30 | 424096-1 | WIPER | | 1 | * | | | |

Modelo CL104D CORDLESS CLEANER

| Pieza | Código | Descripción | Info | CTD. | N/O | Opc. 1 | Opc. 2 | OBS. |
|--------|-----------|-----------------------------|------|------|-----|--------|--------|------|
| A01-1A | 123488-8 | NOZZLE ASSEMBLY | < | 1 | | | | |
| C10 | 451410-8 | ROLLER | | 4 | | | | |
| C20 | 268208-4 | PIN 3 | | 4 | | | | |
| C30 | 424096-1 | WIPER | | 1 | | | | |
| A01-1B | 123843-4 | NOZZLE ASSEMBLY | | 1 | | | | |
| C10 | 451410-8 | ROLLER | | 4 | | | | |
| C20 | 268208-4 | PIN 3 | | 4 | | | | |
| C30 | 424096-1 | WIPER | | 1 | | | | |
| A02 | 194566-1 | PAPER FILTER SET (5PCS/SET) | | 1 | | | | |
| A03A | 451243-1 | SASH NOZZLE | | 1 | | | | |
| A03B | 457228-5 | SASH NOZZLE | | 1 | | | | |
| A04A | 451245-7 | SASH NOZZLE HOLDER | | 1 | | | | |
| A04B | 457229-3 | SASH NOZZLE HOLDER | | 1 | | | | |
| A05A | 451244-9 | PIPE | | 1 | | | | |
| A05B | 457231-6 | PIPE | | 1 | | | | |
| A06 | ***DC1001 | DC1001 BATTERY CHARGER SET | | 1 | | | | |
| | | | | | | | | |
| | | | | | | | | |
| | | | | | | | | |
| | | | | | | | | |
| | | | | | | | | |
| | | | | | | | | |
| | | | | | | | | |
| | | | | | | | | |
| | | | | | | | | |
| | | | | | | | | |
| | | | | | | | | |
| | | | | | | | | |
| | | | | | | | | |
| | | | | | | | | |
| | | | | | | | | |
| | | | | | | | | |
| | | | | | | | | |
| | | | | | | | | |
| | | | | | | | | |
| | | | | | | | | |
| | | | | | | | | |
| | | | | | | | | |
| | | | | | | | | |
| | | | | | | | | |
| | | | | | | | | |
| | | | | | | | | |
| | | | | | | | | |
| | | | | | | | | |
| | | | | | | | | |
| | | | | | | | | |
| | | | | | | | | |
| | | | | | | | | |
| | | | | | | | | |
| | | | | | | | | |
| | | | | | | | | |
| | | | | | | | | |
| | | | | | | | | |