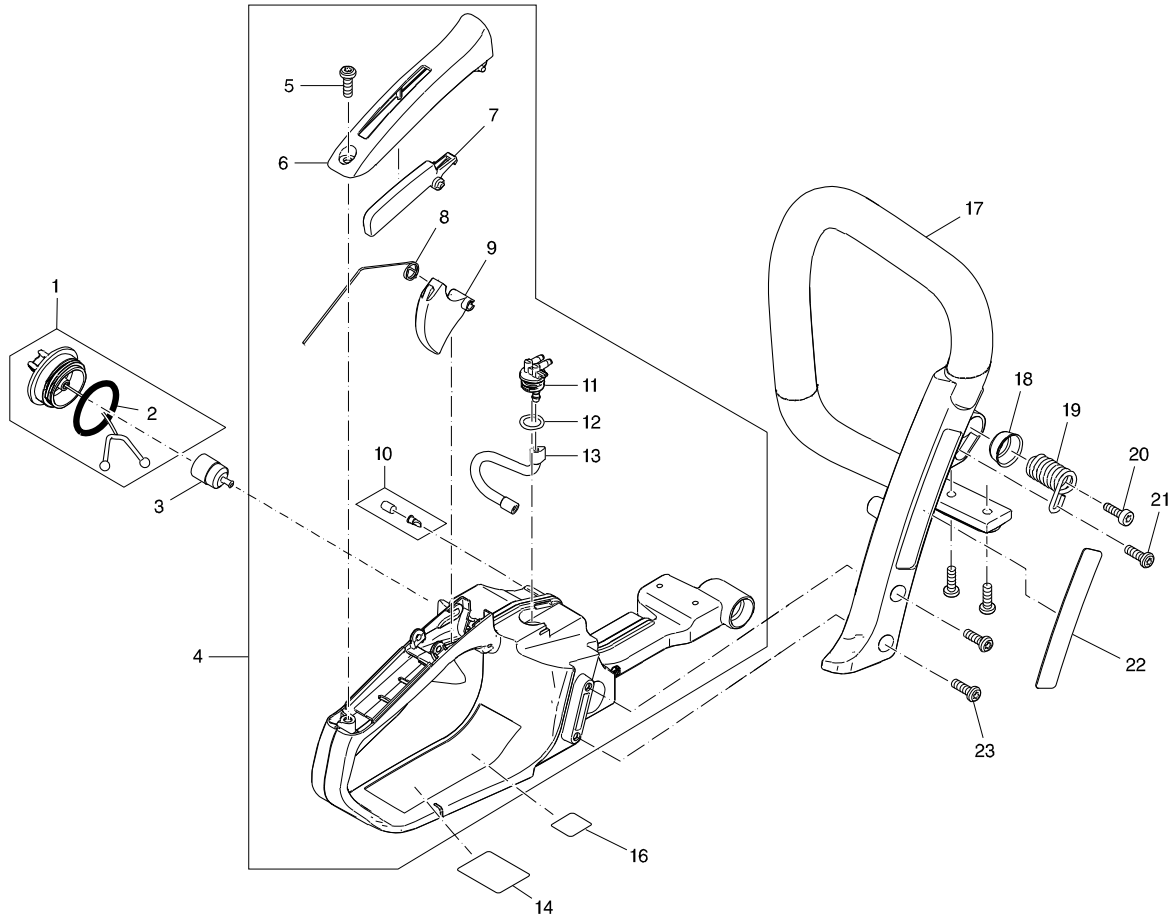
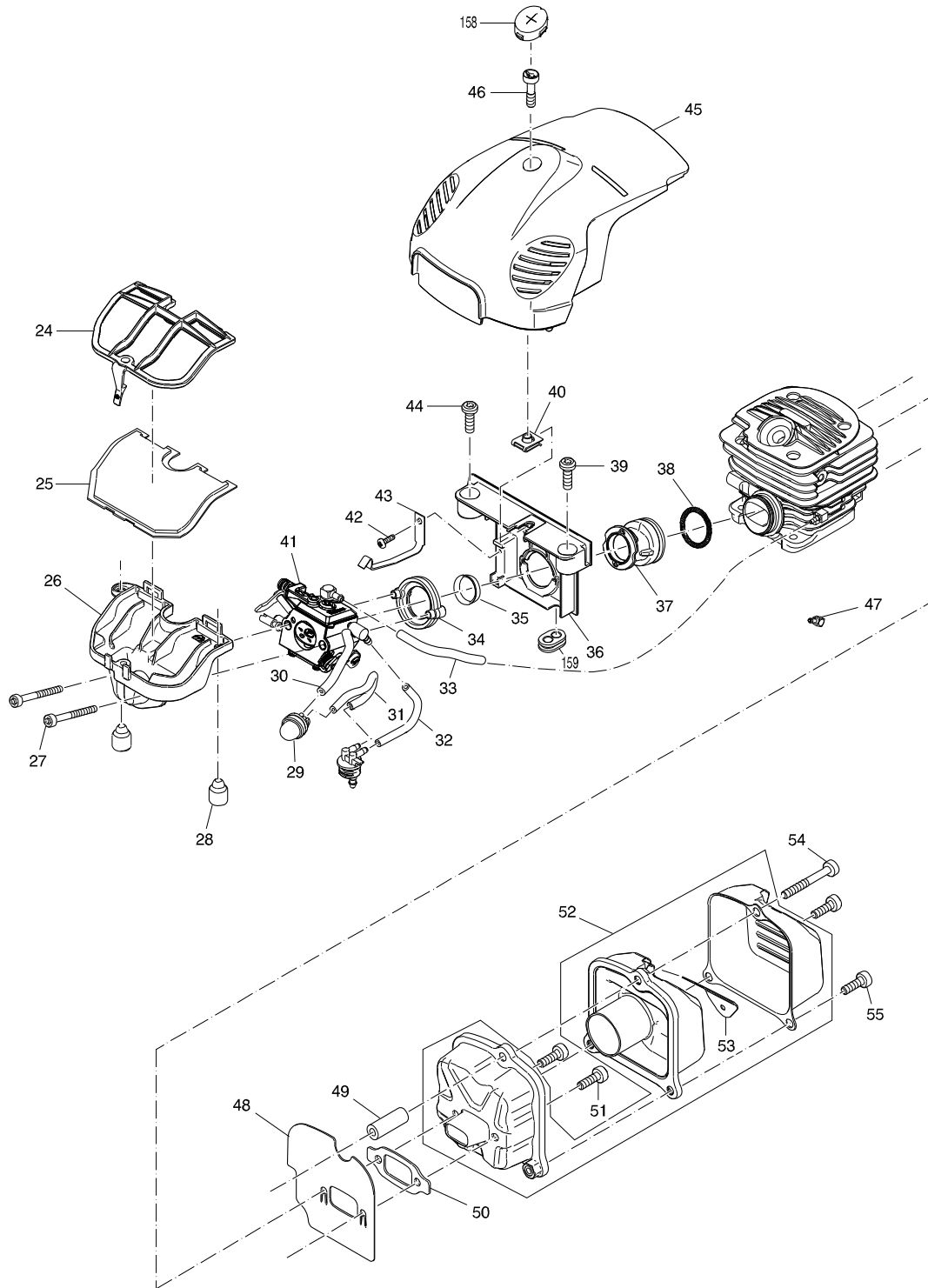


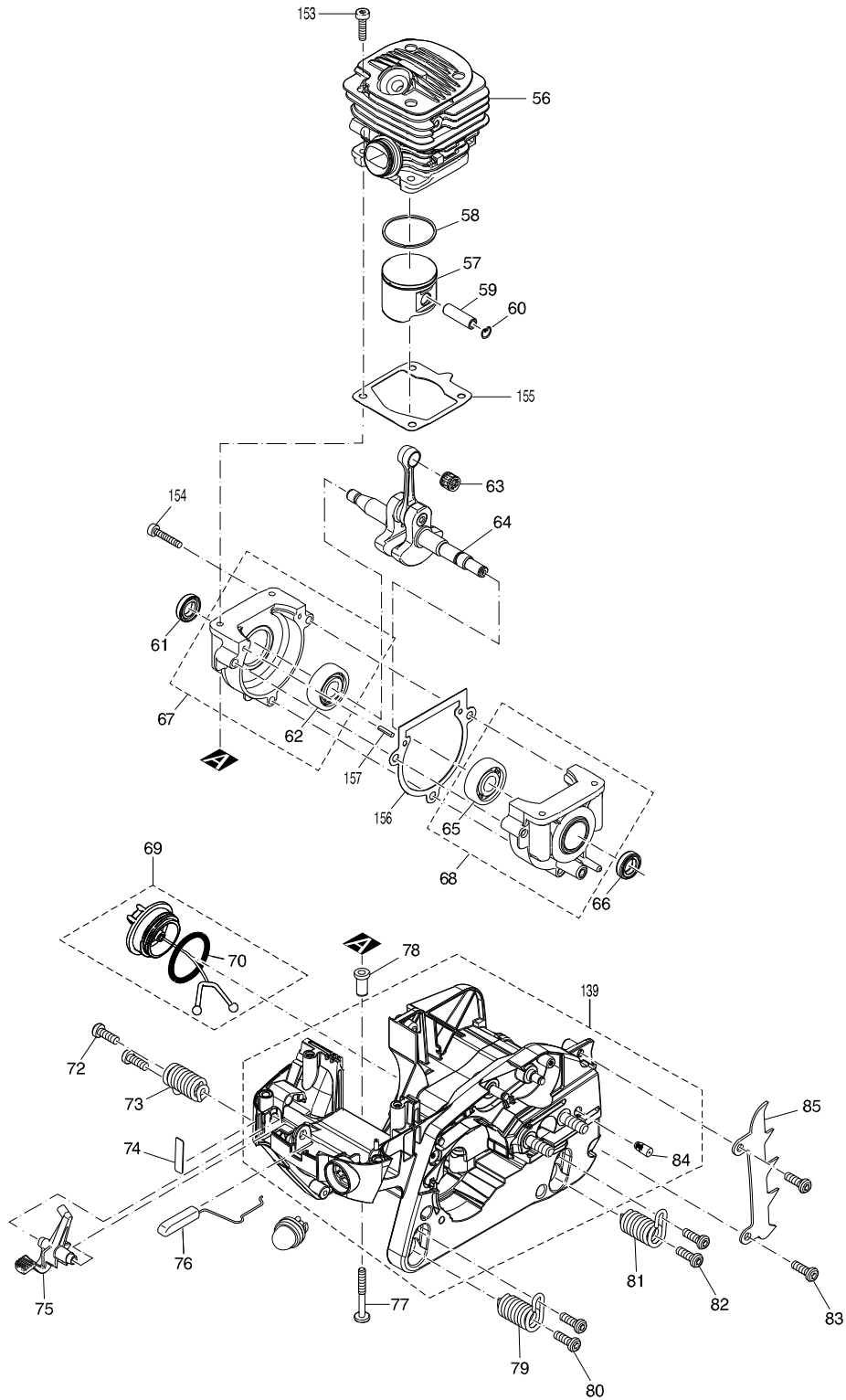
# Modelo EA3502S PETROL CHAIN SAW



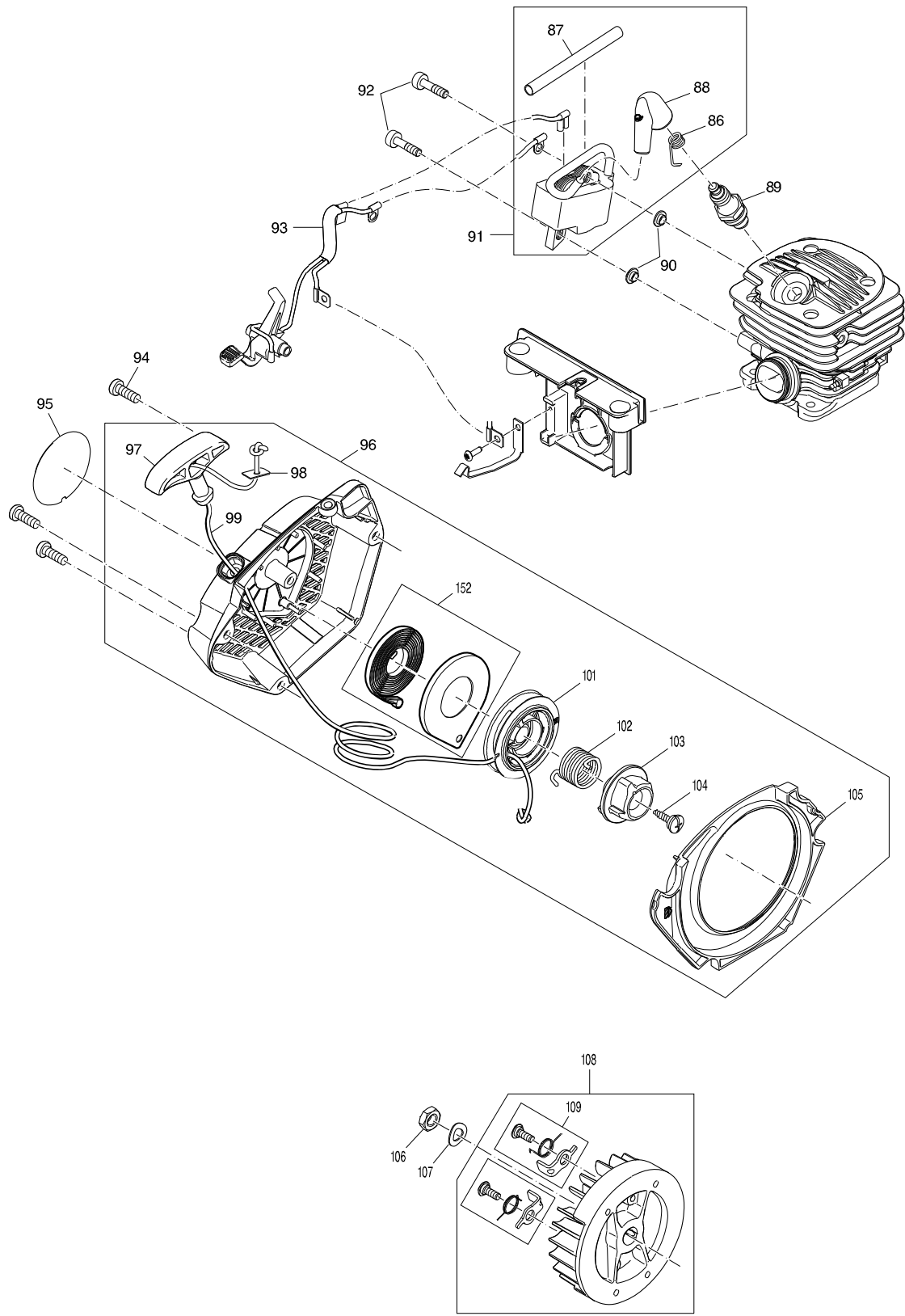
# Modelo EA3502S PETROL CHAIN SAW



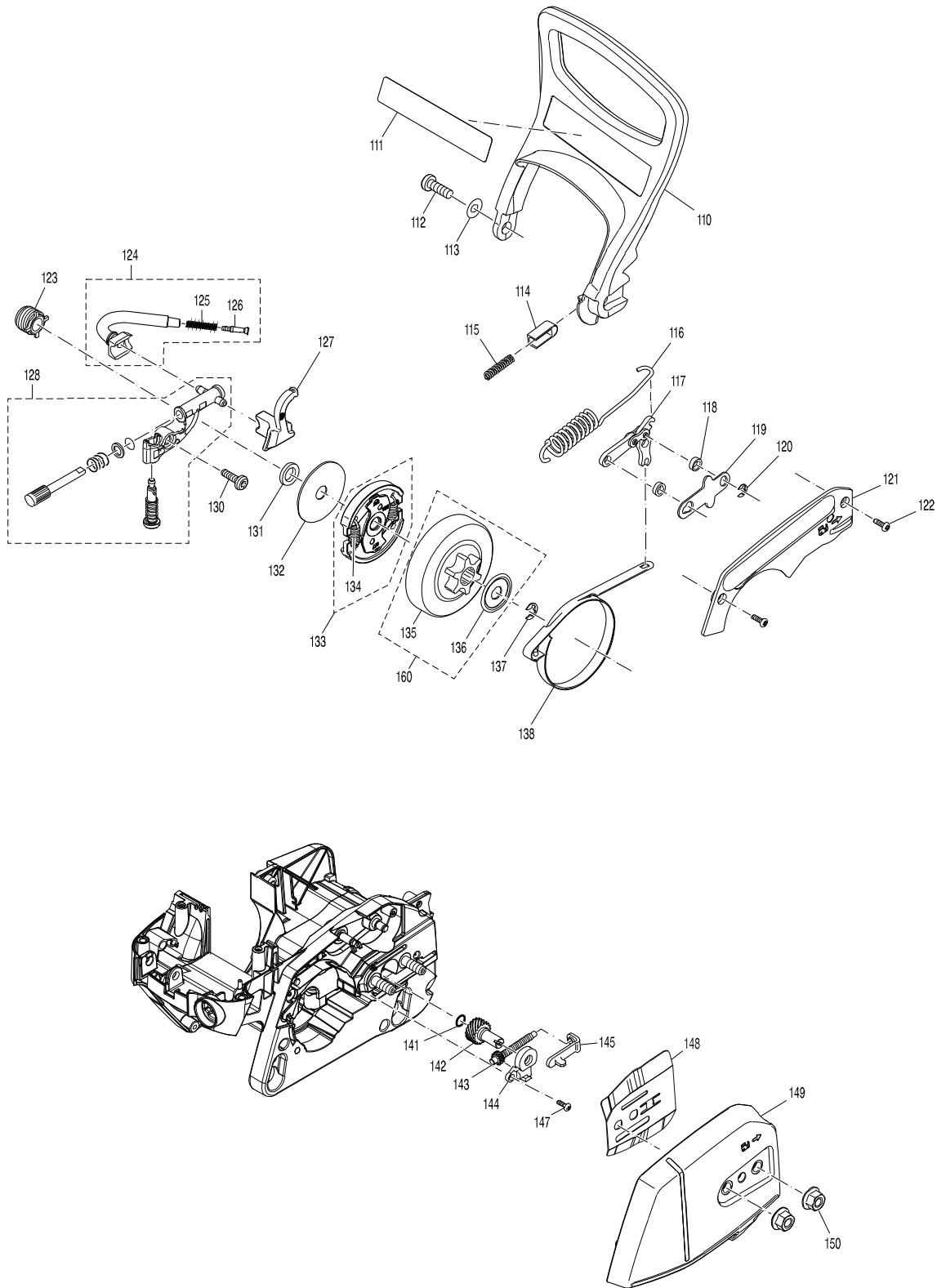
# Modelo EA3502S PETROL CHAIN SAW



# Modelo EA3502S PETROL CHAIN SAW



# Modelo EA3502S PETROL CHAIN SAW



Pieza	Código	Descripción	Info	CTD.	N/O	Opc. 1	Opc. 2	OBS.
001	168823-3	TANK CAP COMPLETE		1				
D10		INC. 2						
002	213080-9	O RING 29.5		1				
003	163447-0	FUEL FILTER		1	*			
003-1	163447-0	FUEL FILTER	O	1				
004	195758-5	TANK ASSEMBLY A BLUE		1				
D10		INC. 5-13						
005	266651-1	H.L. TAPPING SCREW 5.5X16		1				
006	452021-2	GRIP SHELL		1				
007	452020-4	CATCH LEVER		1				
008	231866-9	TORSION SPRING 10		1				
009	452019-9	THROTTLE LEVER		1				
010	195762-4	AIR VALVE SET		1				
011	452018-1	FUEL NIPPLE		1				
012	213586-7	O RING 11.5		1				
013	424456-7	FUEL LINE		1				
014	850C73-9	EA3502S NAME PLATE		1				
017	452036-9	TUBULAR HANDLE		1				
018	346517-2	CUP WASHER 6		1				
019	234189-4	COMPRESSION SPRING 12		1				
020	266605-8	H.L. SOCKET HEAD BOLT M5X16		1				
021	266651-1	H.L. TAPPING SCREW 5.5X16		1				
022	891898-4	MAKITA LOGO LABEL		1				
023	266651-1	H.L. TAPPING SCREW 5.5X16		4				
024	452031-9	AIR FILTER COVER		1				
025	423414-0	AIR FILTER		1				
026	452030-1	INTAKE MANIFOLD		1				
027	266604-0	H.L. SOCKET HEAD BOLT M4X40		2				
028	424173-9	DAMPING PLUG		2				
029	168398-2	PRIMER PUMP		1				
030	422067-2	TUBE 2.5-55		1				
031	422065-6	TUBE 2.5-112		1				
032	422068-0	TUBE 3-70		1				
033	422066-4	TUBE 2.5-72		1				
034	318634-8	FLANGE RING		1				
035	346413-4	BUSH 17		1				
036	454874-5	INTERMEDIATE FLANGE		1				
037	424617-9	INTAKE HOSE		1				
038	233971-8	RING SPRING		1				
039	266651-1	H.L. TAPPING SCREW 5.5X16		1				
040	264044-6	SNAP NUT M5		1				
041	168828-3	CARBURETOR		1	*			
041-1	168828-3	CARBURETOR	O	1				
C02	ZJ00000077	NOZZLE ASSEMBLY		1				
C04	ZJ00000003	STRAINER		1				
C06	ZJ00000008	PIN		1				
C08	ZJ00000078	SPRING, METERING LEVER		1				
C10	ZJ00000006	LEVER		1				

Pieza	Código	Descripción	Info	CTD.	N/O	Opc. 1	Opc. 2	OBS.
C12	ZJ00000007	VALVE, INLET NEEDLE		1				
C14	ZJ00000009	SCREW (METERING LEVER PIN)		1				
C16	ZJ00000079	METERING CHAMBER GASKET		1				
C18	ZJ00000013	DIAPHRAGM ASS'Y,METERING		1				
C20	ZJ00000029	DIAPHRAGM, PUMP		1				
C22	ZJ00000016	GASKET, PUMP		1				
C24	ZJ00000004	COVER KIT,PUMP		1				
C26	ZJ00000020	SCREW (PUMP COVER)		1				
C28	ZJ00000026	SCREW,IDLE MIXTURE		1				
C30	ZJ00000039	SCREW,MAIN MIXTURE		1				
C32	ZJ00000035	RETAINER		2				
C34	ZJ00000037	STRAINER		1				
C36	ZJ00000073	SPRING		1				
C38	ZJ00000015	THROTTLE SHAFT ASSY		1				
C40	ZJ00000012	SHAFT ASSY,CHOKE		1				
C42	ZJ00000080	THROTTLE VALVE		1				
C44	ZJ00000001	SCREW		2				
C46	ZJ00000036	PLUG,ACC POCKET		1				
C48	ZJ00000034	SPRING,THROTTLE RETURN		1				
C50	ZJ00000022	LEVER,THROTTLE		1				
C52	ZJ00000023	SCREW		2				
C54	ZJ00000021	COLLAR		1				
C56	ZJ00000028	COVER,METERING		1				
C58	ZJ00000014	SCREW (WITH SERRATION)		2				
C60	ZJ00000033	WASHER		1				
C62	ZJ00000031	LEVER,CHOKE		1				
C64	ZJ00000025	LEVER,CHOKE		1				
C66	ZJ00000040	SPRING,THROTTLE RETURN		1				
C68	ZJ00000017	E-RING		1				
C70	ZJ00000024	VALVE,CHOKE		1				
C72	ZJ00000005	PLUNGER KIT		1				
C74	ZJ00000032	SPRING,CHOKE RETURN		1				
C76	ZJ00000081	REBUILT KIT		1				
C78	ZJ00000082	GASKET&DIAPHRAGM KIT		1				
C80	ZJ00000083	THROTTLE KIT		1	*			
C82	ZJ00000084	CHOKE KIT		1	*			
042	266421-8	TAPPING SCREW 3X10		1				
043	346290-4	CONTACT SPRING		1				
044	266651-1	H.L. TAPPING SCREW 5.5X16		1				
045	454875-3	HOOD		1				
046	266607-4	H.L. SOCKET HEAD BOLT M5X20		1				
047	325938-1	ANGULAR NIPPLE		1	*			
048	346764-5	COOLING PLATE		1				
049	326390-6	CONNECTING LINK		1				
050	346304-9	GASKET		1				
051	266605-8	H.L. SOCKET HEAD BOLT M5X16		2				
052	168831-4	MUFFLER COMPLETE		1				
D10		INC. 53						

Pieza	Código	Descripción	Info	CTD.	N/O	Opc. 1	Opc. 2	OBS.
053	346823-5	SPARK ARRESTER		1				
054	266480-2	H.L. SOCKET HEAD BOLT		1				
055	266605-8	H.L. SOCKET HEAD BOLT M5X16		2				
056	319073-5	CYLINDER 38		1	*			
056-1	143323-4	CYLINDER COMPLETE	<	1				
057	319108-2	PISTON 38		1				
058	257366-1	PISTON RING 38		1				
059	326395-6	PISTON PIN		1				
060	234323-6	RING SPRING 9		2				
061	213141-5	OIL SEAL 12		1				
062	211494-6	BALL BEARING 6201		1				
063	212093-7	NEEDLE CAGE 912		1				
064	142417-2	CRANKSHAFT COMPLETE		1	*			
064-1	123530-5	CRANKCASE ASSEMBLY	<	1				
C10	142417-2	CRANKSHAFT COMPLETE		1				
D10		INC. 61,66-68,154,156,157						
065	211494-6	BALL BEARING 6201		1				
066	213141-5	OIL SEAL 12		1				
067	126380-7	CRANKCASE MS ASSEMBLY		1				
D10		INC. 62						
068	126381-5	CRANKCASE KS ASSEMBLY		1				
D10		INC. 65						
069	168823-3	TANK CAP COMPLETE		1				
D10		INC. 70						
070	213080-9	O RING 29.5		1				
072	266651-1	H.L. TAPPING SCREW 5.5X16		2				
073	234189-4	COMPRESSION SPRING 12		1				
074	816917-5	INDICATION LABEL		1				
075	452025-4	CHOKE LEVER		1				
076	452022-0	THROTTLE LINKAGE		1				
077	266608-2	H.L.TAPPING SCREW 5X40		4				
078	326402-5	BUSH 6		4				
079	234189-4	COMPRESSION SPRING 12		1				
080	266651-1	H.L. TAPPING SCREW 5.5X16		2				
081	234189-4	COMPRESSION SPRING 12		1				
082	266651-1	H.L. TAPPING SCREW 5.5X16		2				
083	266651-1	H.L. TAPPING SCREW 5.5X16		2				
084	168504-9	VENT VALVE		1				
085	346301-5	SPIKE BAR		1				
086	326210-4	TERMINAL SPRING		1				
087	444042-8	ISOLATING TUBE 6-80		1				
088	424522-0	PLUG CAP		1				
089	168401-9	SPARK PLUG		1				
090	452670-5	ISOLATING WASHER		2				
091	126270-4	IGNITION COIL ASSEMBLY		1				
D10		INC. 86-88						
092	266631-7	H.L. SOCKET HEAD BOLT M5X20		2				
093	168601-1	CABLE HARNESS		1				



Pieza	Código	Descripción	Info	CTD.	N/O	Opc. 1	Opc. 2	OBS.
094	266651-1	H.L. TAPPING SCREW 5.5X16		3				
095	804V41-8	EA3502S MODEL NO. LABEL		1				
096	168608-7	STARTER COMPLETE BLUE		1	*			
D10		INC. 97-99,101-105,152			*			
096-1	161328-2	STARTER COMPLETE BLUE	O	1				
D10		INC. 97-99,101-105,152						
097	453783-5	STARTER GRIP		1				
098	267847-7	SQUARE WASHER 4		1				
099	444038-9	STARTER ROPE		1				
101	453785-1	REEL		1	*			
101-1	455919-2	REEL	X	1				
102	234253-1	TORSION SPRING 20		1				
103	453786-9	CAM PLATE		1				
104	266777-9	TAPPING SCREW 5X12		1				
105	452026-2	AIR GUIDE PLATE		1				
106	264053-5	HEX. NUT M8X1		1				
107	267822-3	SPRING WASHER 8		1				
108	140480-9	FLYWHEEL COMPLETE		1				
D10		INC. 109						
109	195761-6	RATCHET SET		2				
110	452032-7	HAND GUARD		1				
111	810449-4	CAUTION LABEL		1				
112	266651-1	H.L. TAPPING SCREW 5.5X16		1				
113	253715-0	FLAT WASHER 6		1				
114	313212-9	HAND GUARD GUIDE		1				
115	234210-9	COMPRESSION SPRING 3		1				
116	231868-5	TENSION SPRING 10		1				
117	163500-2	LINK PLATE COMPLETE		1				
118	325947-0	BUSH 6		2				
119	346299-6	SPACER SHEET METAL		1				
120	961011-9	STOP RING E-4		1				
121	452033-5	BRAKE COVER		1				
122	266421-8	TAPPING SCREW 3X10		2				
123	452035-1	PUMP DRIVE		1				
124	168645-1	OIL SUCTION LINE COMPLETE		1				
D10		INC. 125,126						
125	234207-8	COMPRESSION SPRING 6		1				
126	452666-6	NIPPLE		1				
127	424342-2	OIL PRESSURE LINE		1				
128	161346-0	OIL PUMP COMPLETE		1				
130	266605-8	H.L. SOCKET HEAD BOLT M5X16		1				
131	267430-0	FLAT WASHER 10		1				
132	267431-8	FLAT WASHER 10		1				
133	168607-9	CLUTCH COMPLETE		1				
D10		INC. 134						
134	231873-2	TENSION SPRING 5		2				
135	140484-1	CLUTCH DRUM ASSEMBLY		1				
136	267833-8	CUP WASHER 8		1				

**Modelo EA3502S PETROL CHAIN SAW**

<b>Pieza</b>	<b>Código</b>	<b>Descripción</b>	<b>Info</b>	<b>CTD.</b>	<b>N/O</b>	<b>Opc. 1</b>	<b>Opc. 2</b>	<b>OBS.</b>
137	259033-4	RETAINING RING E TYPE 6		1				
138	346298-8	BRAKE BAND		1				
139	143549-8	ENGINE HOUSING COMPLETE BLUE		1				
D10		INC. 84						
141	213594-8	O RING 7		1				
142	227744-9	HELICAL GEAR 18		1				
143	227743-1	HELICAL GEAR 11		1				
144	452667-4	GEAR COVER PROFESSIONAL		1				
145	346300-7	TENSION SLIDE		1				
147	266421-8	TAPPING SCREW 3X10		1				
148	346518-0	GUIDE PLATE		1				
149	452044-0	SPROCKET GUARD		1				
150	264055-1	COLLARED HEX. NUT M8		2				
152	195955-3	REWIND SPRING SET		1				
153	266960-8	H.L. SOCKET HEAD BOLT M5X20		4				
154	266880-6	H.L. SOCKET HEAD BOLT M5X25		3				
155	346760-3	CYLINDER BASE GASKET		1				
156	346761-1	CRANKCASE GASKET		1				
157	951063-8	SPRING PIN 3-16		2				
158	424618-7	PLUG		1				
159	424631-5	SLEEVE		1				
160	197441-0	CLUTCH DRUM SET		1				
D10		INC. 135,136						
A01	165202-6	GUIDE BAR 16"		1				
A02	419560-5	CHAIN PROTECTION COVER 430		1				
A03	196444-1	SAW CHAIN SET		1				
A04	782026-1	UNIVERSAL WRENCH 13/16		1				
A05	783012-5	SCREWDRIVER		1				