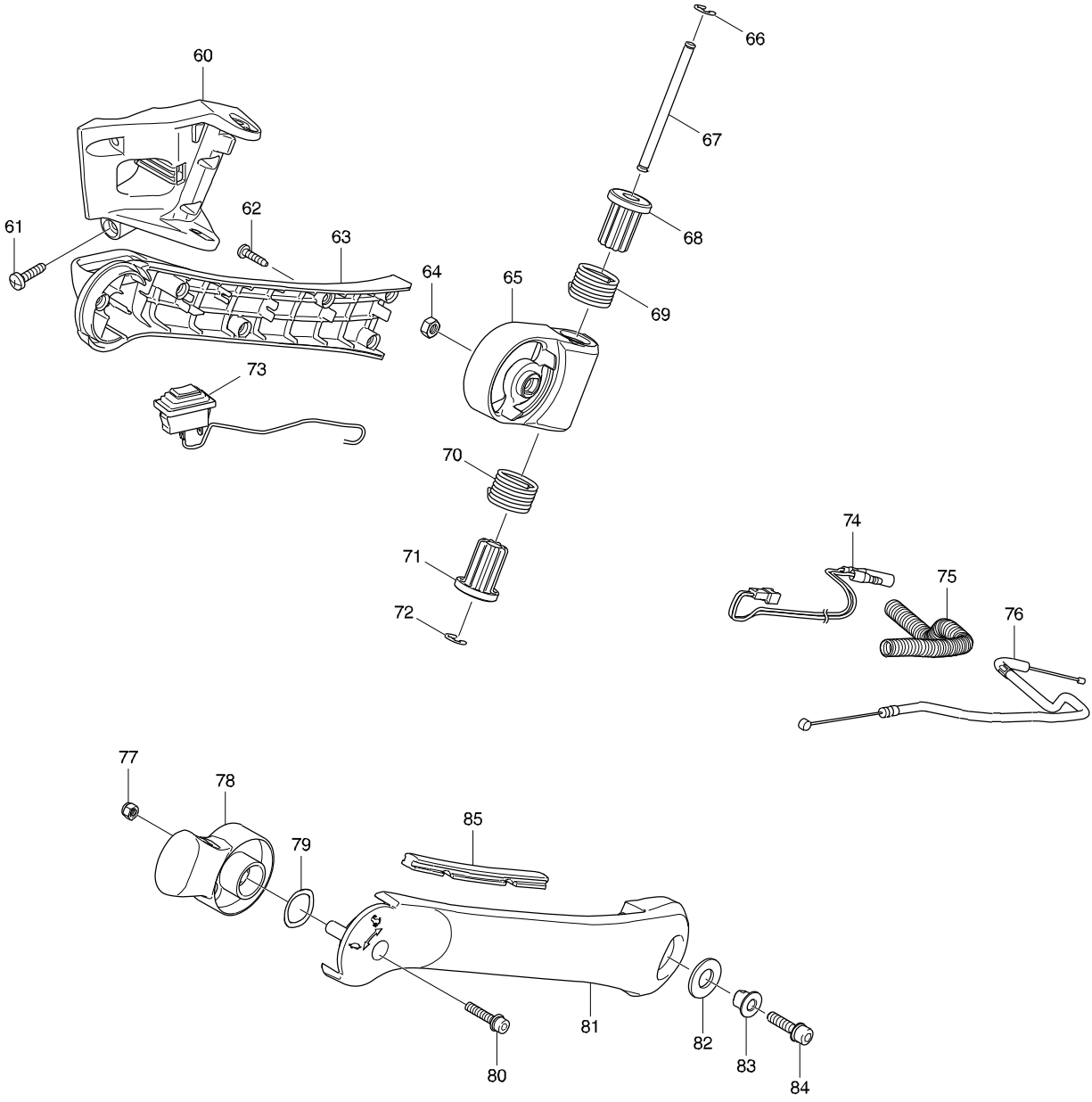
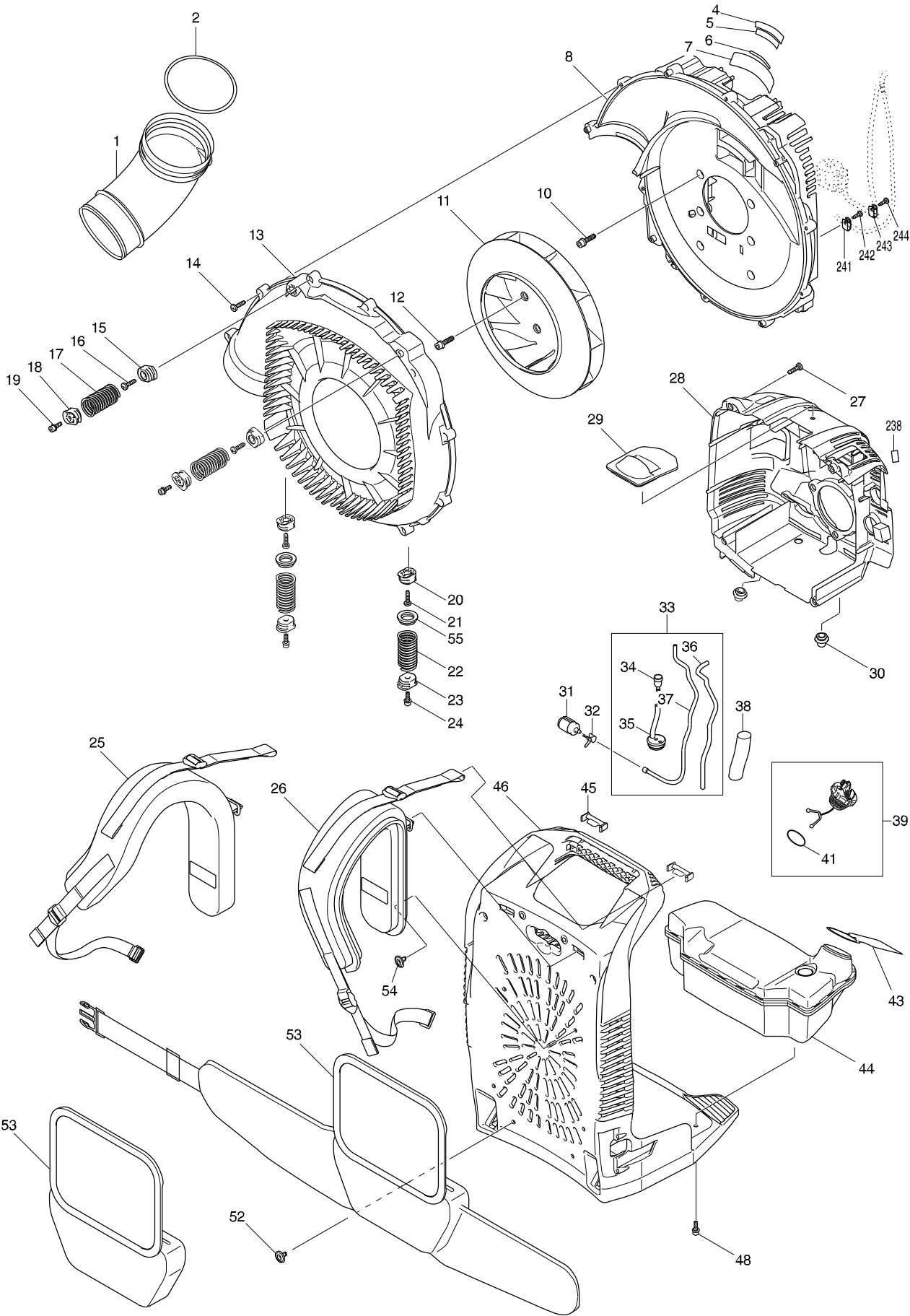


Modelo EB7660WH PETROL BLOWER

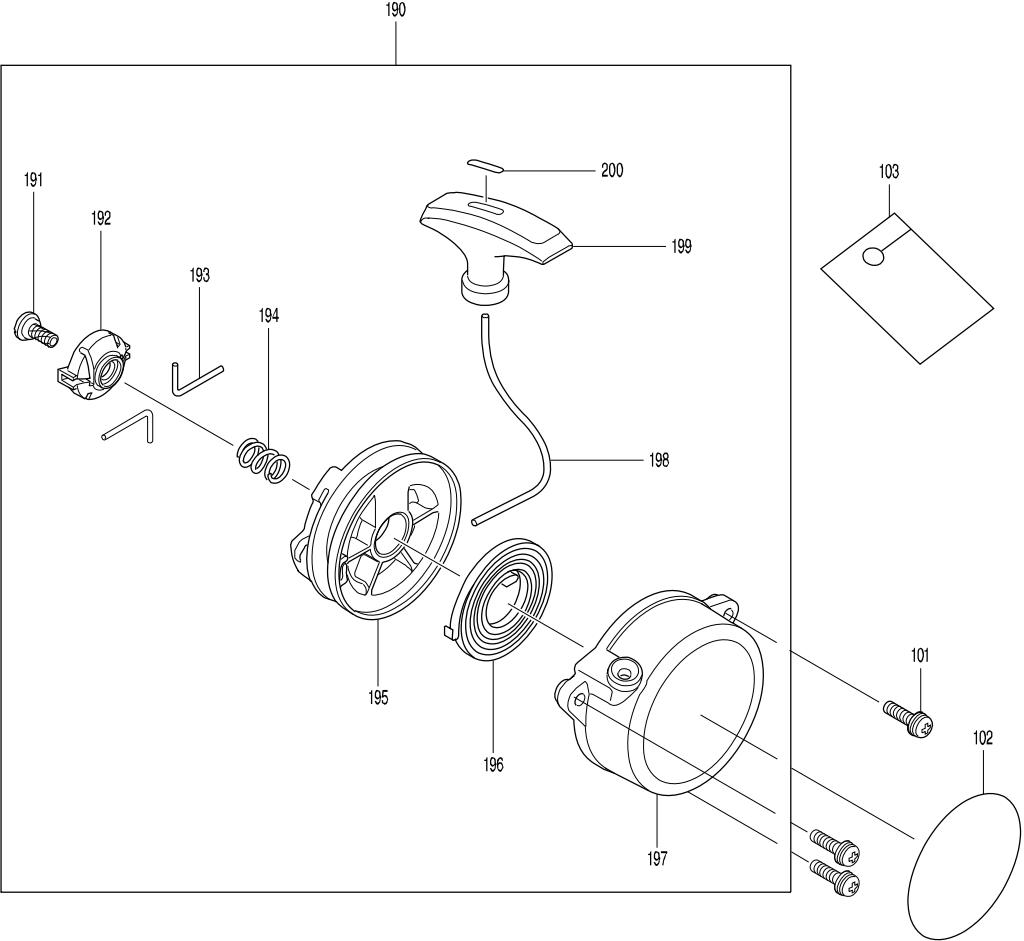
Modelo EB7660WH PETROL BLOWER



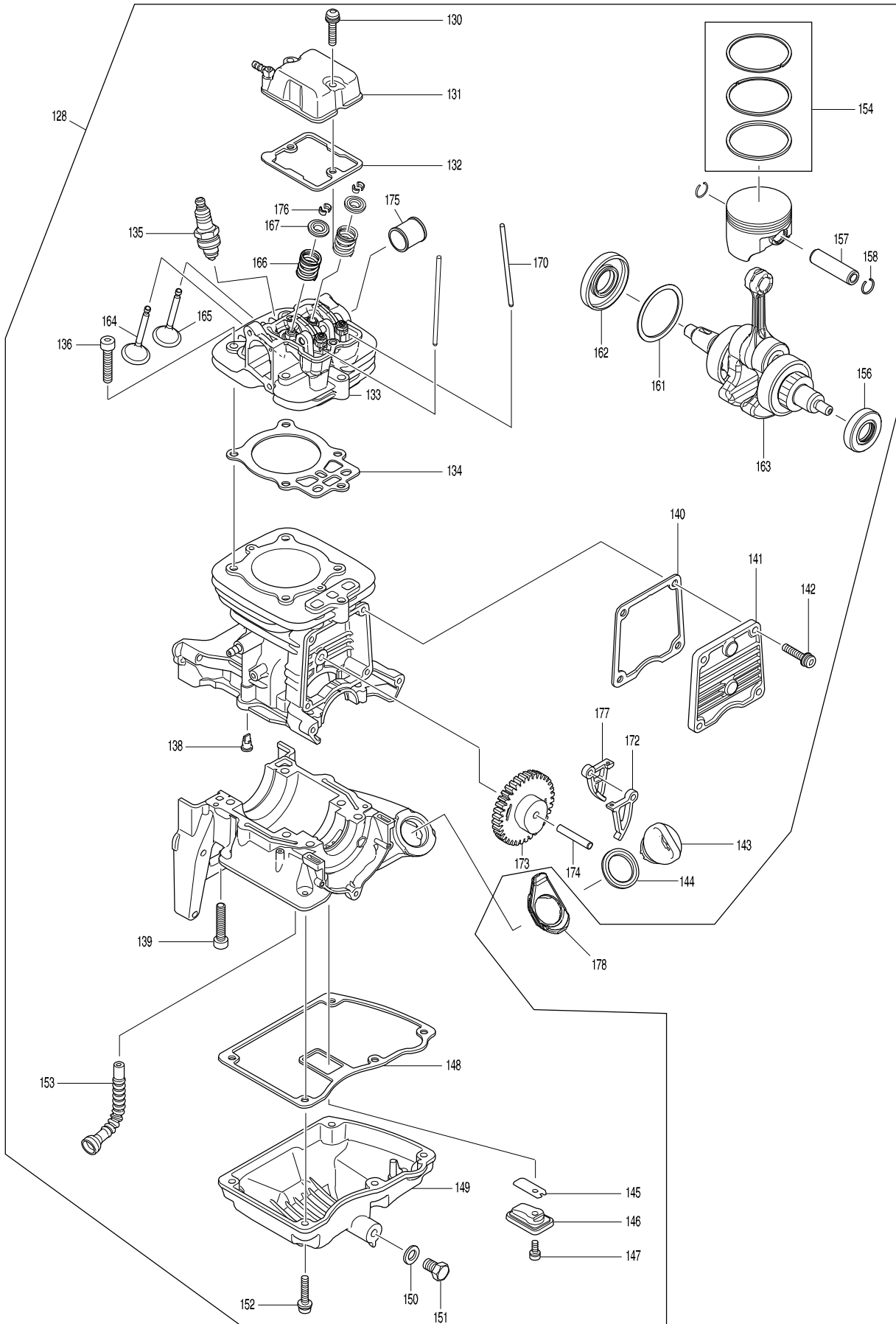
Modelo EB7660WH PETROL BLOWER



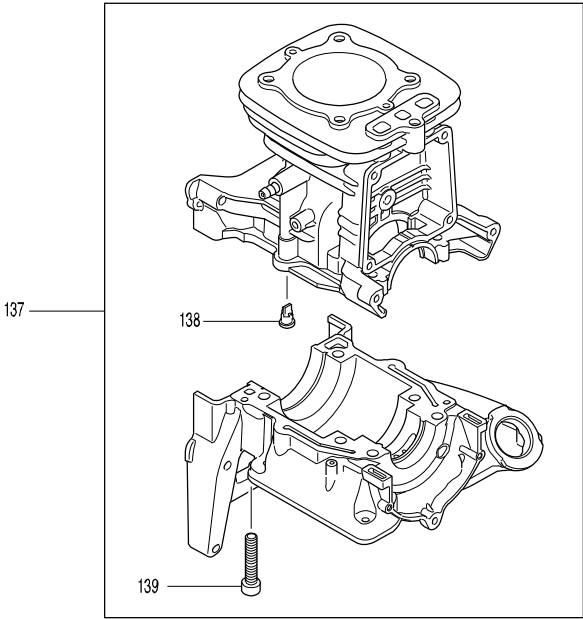
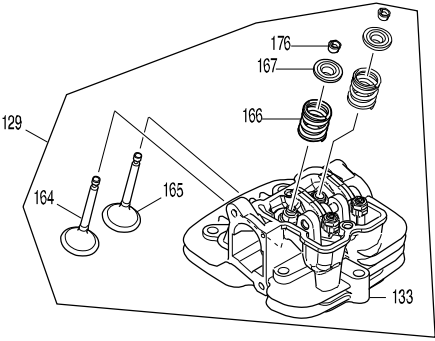
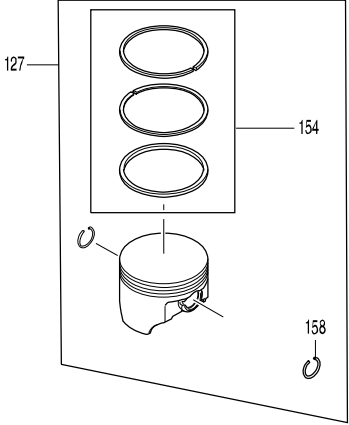
Modelo EB7660WH PETROL BLOWER



Modelo EB7660WH PETROL BLOWER



Modelo EB7660WH PETROL BLOWER



Modelo EB7660WH PETROL BLOWER

Pieza	Código	Descripción	Info	CTD.	N/O	Opc. 1	Opc. 2	OBS.
001	412144-8	ELBOW		1				
002	213645-7	O RING 93		1				
005	803T61-7	CAUTION LABEL		1				
006	897623-1	SERIAL NO. LABEL		1	*			
006-1	814E64-6	SERIAL NO. LABEL	<	1				
008	456398-7	FRONT VOLUTE CASE		1				
010	922343-9	H.S.H.BOLT M6X25 WITH WR		6				
011	240152-7	FAN 250		1				
012	922343-9	H.S.H.BOLT M6X25 WITH WR		4				
013	456620-2	REAR VOLUTE CASE		1				
014	266420-0	TAPPING SCREW 5X20		11				
015	454903-4	SPRING HOLDER A		2				
016	266420-0	TAPPING SCREW 5X20		2				
017	232304-4	COMPRESSION SPRING 22		2				
018	454904-2	SPRING HOLDER B		2				
019	922223-9	H.S.H.BOLT M5X16 WITH WR		2				
020	454903-4	SPRING HOLDER A		2				
021	266420-0	TAPPING SCREW 5X20		2				
022	232305-2	COMPRESSION SPRING 22		2				
023	454904-2	SPRING HOLDER B		2				
024	922223-9	H.S.H.BOLT M5X16 WITH WR		2				
025	161534-9	BAND L COMPLETE		1				
026	161535-7	BAND R COMPLETE		1				
027	266420-0	TAPPING SCREW 5X20		4				
028	143809-8	ENGINE COVER COMPLETE		1				
C10	898343-0	CAUTION LABEL		1				
029	424619-5	PLUG COVER		1				
030	424620-0	DAMPER		2				
031	163532-9	FILTER		1				
032	345920-4	HOSE CLAMP		1				
033	126138-4	TUBE ASSEMBLY		1				
D10		INC. 34-37						
034	168396-6	BREATHER		1				
035	424505-0	GROMMET		1				
036	412120-2	FUEL TUBE 3-370		1				
037	412114-7	FUEL TUBE 3-370		1				
038	422137-7	TUBE GUARD 20-102		1				
039	140831-6	TANK CAP COMPLETE		1				
D10		INC. 41						
041	213831-0	O-RING 29.5		1				
043	898428-2	CAUTION PLATE		1				
044	142427-9	FUEL TANK COMPLETE		1				
045	454905-0	BAND HOLDER		2				
046	454894-9	FRAME		1				
048	922223-9	H.S.H.BOLT M5X16 WITH WR		2				
052	6672500300	LOCK RIVET		4	*			
052-1	458158-3	RIVET 6	O	4				
053	196956-4	HIP BELT SET		1				

Modelo EB7660WH PETROL BLOWER

Pieza	Código	Descripción	Info	CTD.	N/O	Opc. 1	Opc. 2	OBS.
054	6672500300	LOCK RIVET		2	*			
054-1	458158-3	RIVET 6	O	2				
055	424678-9	RUBBER RING 25		2				
060	454919-9	ARM BASE HOLDER		1				
061	266420-0	TAPPING SCREW 5X20		2				
062	266326-2	TAPPING SCREW 4X18		6				
063	454929-6	ARM COVER		1				
064	252014-7	HEX. LOCK NUT M6-10		1				
065	454927-0	ARM BASE		1				
066	961011-9	STOP RING E-4		2				
067	268313-7	ROD 6		1				
069	233613-4	TORSION SPRING 21		1				
070	233613-4	TORSION SPRING 21		1				
071	422123-8	RUBBER SLEEVE 6		2				
073	632C05-6	SWITCH UNIT		1				
074	632C06-4	LEAD UNIT		1				
075	456896-1	CORRUGATE TUBE		1				
076	168844-5	CONTROL CABLE		1				
077	252103-8	HEX. LOCK NUT M5-8		1				
078	456616-3	THROTTLE LEVER		1				
079	267715-4	WAVE WASHER 20		1				
080	922243-3	HEX. SOCKET HEAD BOLT M5X25		1				
081	454928-8	ARM		1				
082	253843-1	FLAT WASHER 12		1				
083	257829-7	SLEEVE 7		1				
084	922343-9	H.S.H.BOLT M6X25 WITH WR		1				
085	424672-1	ARM RUBBER		2				
090	282025-8	HOSE CLAMP 100		1				
091	454934-3	FLEXIBLE PIPE		1				
092	282025-8	HOSE CLAMP 100		1				
093	168832-2	SWIVEL PIPE COMPLETE		1	*			
093-1	161653-1	SWIVEL PIPE COMPLETE	O	1				
094	187799-5	HANDLE SET		1				
C10	252898-3	INSERT NUT M5-7		1	*			
D10		INC. 95						
095	187799-5	HANDLE SET		1				
C10	252898-3	INSERT NUT M5-7		1	*			
D10		INC. 94						
096	266326-2	TAPPING SCREW 4X18		3				
097	265762-9	THUMB SCREW M5X30		1				
100	5975500000	PULLEY		1	*			
100-1	161599-1	PULLEY	O	1				
101	911233-1	PAN HEAD SCREW M5X20		3				
102	808X33-1	EB7660WH MODEL NO. LABEL		1				
103	819432-8	CAUTION TAG		1				
127	198209-7	PISTON SET		1				
D10		INC. 154,158						
128	198211-0	SHORT BLOCK SET		1	*			

Pieza	Código	Descripción	Info	CTD.	N/O	Opc. 1	Opc. 2	OBS.
128-1	199132-9	SHORT BLOCK SET	S	1				
129	198224-1	CYLINDER HEAD SET		1				
	D10	INC. 133,164-167,176						
130	922253-0	H.S.H.BOLT M5X30 WITH WR		2				
131	141771-1	ROCKER COVER COMPLETE		1	*			
131-1	144766-3	ROCKER COVER COMPLETE	S	1				
132	5971500900	ROCKER COVER GASKET		1				
133	123557-5	CYLINDER HEAD ASSEMBLY		1				
134	442167-2	CYLINDER HEAD GASKET		1				
135	168652-4	SPARK PLUG		1				
136	265566-9	HEX SOCKET HEAD BOLT M6X30		5				
137	198210-2	CYLINDER BLOCK SET		1				
	D10	INC. 138,139						
138	424201-0	CHECK VALVE		2				
139	922352-8	HEX. SOCKET HEAD BOLT M6X30		6				
140	442168-0	CAM GEAR GASKET		1				
141	318725-5	CAM GEAR COVER		1				
142	266813-1	H.S.H.BOLT M5X16 WITH WR		4	*			
142-1	922223-9	H.S.H.BOLT M5X16 WITH WR	O	4				
143	452047-4	OIL CAP		1				
144	424343-0	GASKET		1				
145	346083-9	LEAD VALVE		1				
146	319395-3	RETAINER PLATE		1				
147	0119049980	SOCKET HEAD BOLT M4X10		1				
148	5976500100	OIL CASE GASKET		1				
149	319008-6	OIL CASE		1				
150	346452-4	GASKET		1				
151	921412-3	HEX. BOLT M8X12		1				
152	922243-3	HEX. SOCKET HEAD BOLT M5X25		5				
153	5936500600	TUBE,OIL		1				
154	197040-8	PISTON RING SET		1				
156	213091-4	OIL SEAL 17		1				
157	326039-8	PISTON PIN		1				
158	233995-4	RING SPRING 12		2				
160	254001-2	WOODRUFF KEY 4		1				
161	267448-1	FLAT WASHER 41		1				
162	213090-6	OIL SEAL(L)		1				
163	143972-7	CRANK SHAFT COMPLETE		1				
164	326691-2	INTAKE VALVE		1				
165	326692-0	EXHAUST VALVE		1				
166	234212-5	COMPRESSION SPRING 11		2				
167	331966-6	RETAINER		2				
170	256526-2	PUSH ROD		2				
172	310715-4	CAM LIFTER L		1				
173	5973002002	CAMGEAR ASSY		1	*			
173-1	126622-9	CAMGEAR ASSEMBLY	<	1				
174	256200-2	PIN 5		1				
175	331937-3	EXHAUST PORT SPACER		1				

Pieza	Código	Descripción	Info	CTD.	N/O	Opc. 1	Opc. 2	OBS.
176	331967-4	COTTER		4				
177	313267-4	CAM LIFTER R		1				
178	424621-8	OIL GUARD		1				
179	346979-4	MUFFLER GASKET		1				
180	161408-4	MUFFLER		1				
C10	911108-4	PAN HEAD SCREW M4X8		1				
181	266771-1	SOCKET HEAD BOLT M6X18		3				
182	424105-6	PLUG CAP		1				
183	324891-8	PLUG CAP SPRING		1				
184	0119049970	SOCKET HEAD BOLT M4X20		2				
185	632G44-0	LEAD UNIT		1				
186	638710-5	LEAD WIRE		1				
187	5977001010	IGNITION COIL		1	*			
187-1	161837-1	IGNITION COIL	O	1				
188	5977001020	FLYWHEEL COMPL		1				
189	264054-3	FLANGE NUT M10		1				
190	126165-1	RECOIL		1				
D10		INC. 191-200						
191	266585-8	TAPPING SCREW 5X12		1				
192	424516-5	COLLAR		1				
193	326200-7	SWING ARM		2				
194	234257-3	FRICTION SPRING		1				
195	441075-4	REEL		1				
196	232262-4	SPIRAL SPRING		1				
197	141649-8	STARTER CASE COMPLETE		1				
198	444043-6	STARTER ROPE		1				
199	424361-8	STARTER KNOB		1				
200	424360-0	ROPE STOPPER		1				
201	456618-9	AIR CLEANER COVER		1				
202	251481-3	THUMB SCREW M5X20		2				
203	424809-0	AIR CLEANER ELEMENT		1				
204	162346-3	SEPARATOR PLATE		1				
205	352020-3	SEPARATOR MESH		1				
206	266404-8	TAPPING SCREW BIND 3X14		1				
207	424316-3	CHECK VALVE		2				
208	453865-3	SEPARATOR CASE		1				
209	251486-3	PAN HEAD SCREW M5X55 WITH WR		2				
210	454910-7	CHOKE PLATE		1				
211	266192-7	TAPPING SCREW 4X14		1				
212	266420-0	TAPPING SCREW 5X20		1				
213	456399-5	AIR CLEANER CASE		1				
214	851W17-2	SERIAL NO. LABEL		1				
215	454902-6	CHOKE LEVER		1				
216	5233504200	CARBURETOR GASKET		1				
217	346991-4	PLATE 31		1				
218	412112-1	TUBE 3-60		1				
219	168398-2	PRIMER PUMP		1				
220	161542-0	CARBURETOR		1				

Pieza	Código	Descripción	Info	CTD.	N/O	Opc. 1	Opc. 2	OBS.
D10		INC. 250-258,261-279						
221	424830-9	CARBURETOR GASKET		1				
222	424823-6	PIPE		1				
223	422127-0	TUBE 3-55		1				
224	452952-5	HOSE JOINT		1				
225	412121-0	TUBE 3-130		1				
226	422126-2	TUBE 3-160		1	*			
226-1	422222-6	TUBE 3-190	S	1				
227	424831-7	INSULATOR SEAL		1				
228	266749-4	HEX. S.H.B. M5X25 WITH WR		2				
229	424623-4	GROMMET		1				
230	0119059490	SOCKET HEAD BOLT M5X14 (W,SW)		1				
231	142926-1	INSULATOR COMPLETE		1				
232	161583-6	INSULATOR GASKET		1				
233	213261-5	O RING 17		1				
234	454911-5	ICING VALVE		1				
235	454912-3	ICING VALVE COVER		1				
236	266192-7	TAPPING SCREW 4X14		3				
237	213261-5	O RING 17		1				
241	687055-8	STRAIN RELIEF		1				
242	266192-7	TAPPING SCREW 4X14		1				
243	687055-8	STRAIN RELIEF		1				
244	266192-7	TAPPING SCREW 4X14		1				
245	457060-7	CORRUGATE TUBE		1				
246	456401-4	CARBURETOR COVER		1				
247	451825-9	CLAMP		1				
250	266795-7	ADJUST SCREW		1				
251	264065-8	CABLE ADJUST NUT M6		1				
252	266704-6	PAN HEAD SCREW M3X10		2				
253	346491-4	BRACKET CABLE		1				
254	325922-6	SWIVEL		1				
255	413140-9	WASHER		1				
256	257964-1	STOP RING E-3		1				
257	424444-4	PACKING RING		1				
258	234183-6	CONICAL COMPRESSION SPRING 5-9		1				
261	442155-9	PUMP GASKET		1				
262	168575-6	PUMP DIAPHRAGM		1	*			
262-1	WJ00009599	PUMP DIAPHRAGM	O	1				
263	141672-3	PUMP BODY ASSEMBLY		1				
264	442183-4	METERING DIAPHRAGM GASKET		1				
265	168620-7	METERING DIAPHRAGM		1				
266	WJ00021158	METERING DIAPHRAGM COVER		1				
267	WJ00096325	SCREW		4				
268	WJ00983160	SPRING		1				
269	WJ00096424	SCREW		1				
270	WJ00014477	METERING LEVER PIN		1				
271	WJ00016648	LEVER		1				
272	WJ00008282	INLET NEEDLE VALVE		1				

Pieza	Código	Descripción	Info	CTD.	N/O	Opc. 1	Opc. 2	OBS.
273	WJ00014070	INLET SCREEN		1				
274	424439-7	PLUG CUP		1				
275	WJ00034839	THROTTLE VALVE ASS'Y		1				
276	WJ00016105	O RING		1				
277	WJ00136152	WASHER		1				
278	WJ00098404	SPRING		1				
279	WJ01023103	NEEDLE-HIGH SPEED		1				
A01	782239-4	BOX WRENCH 16		1				
A02	783019-1	DRIVER		1				
A03	831304-7	ACCESSORY BAG		1				
A04	195532-1	OIL BOTTLE SET		1				
A05	196911-6	FLAT NOZZLE 90 SET		1				
A06	197722-2	END NOZZLE 90-68 SET		1				
A07	197723-0	LONG PIPE 90 SET		1				
A08	196912-4	SHORT PIPE 90 SET		1				