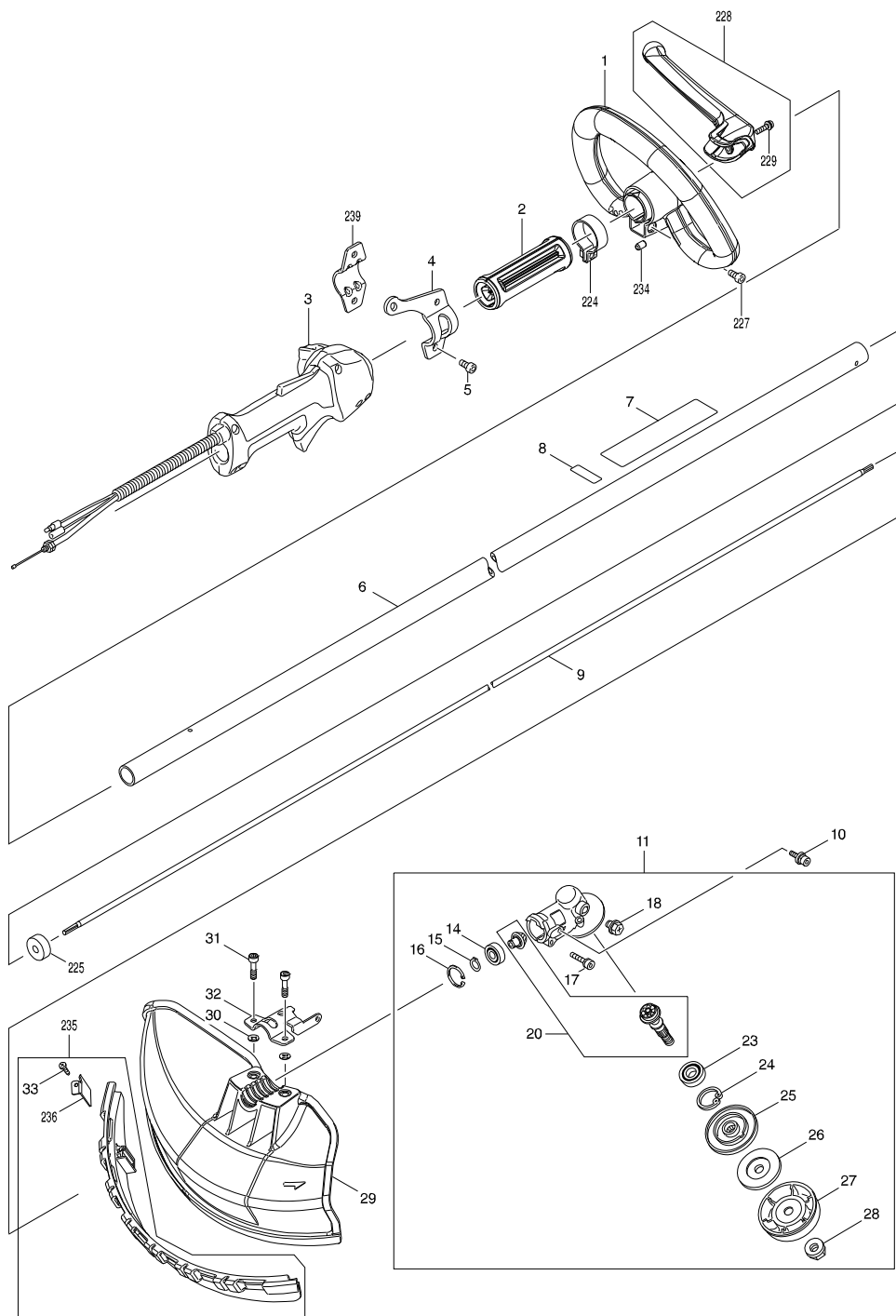


Modelo EM2653LH PETROL BRUSHCUTTER

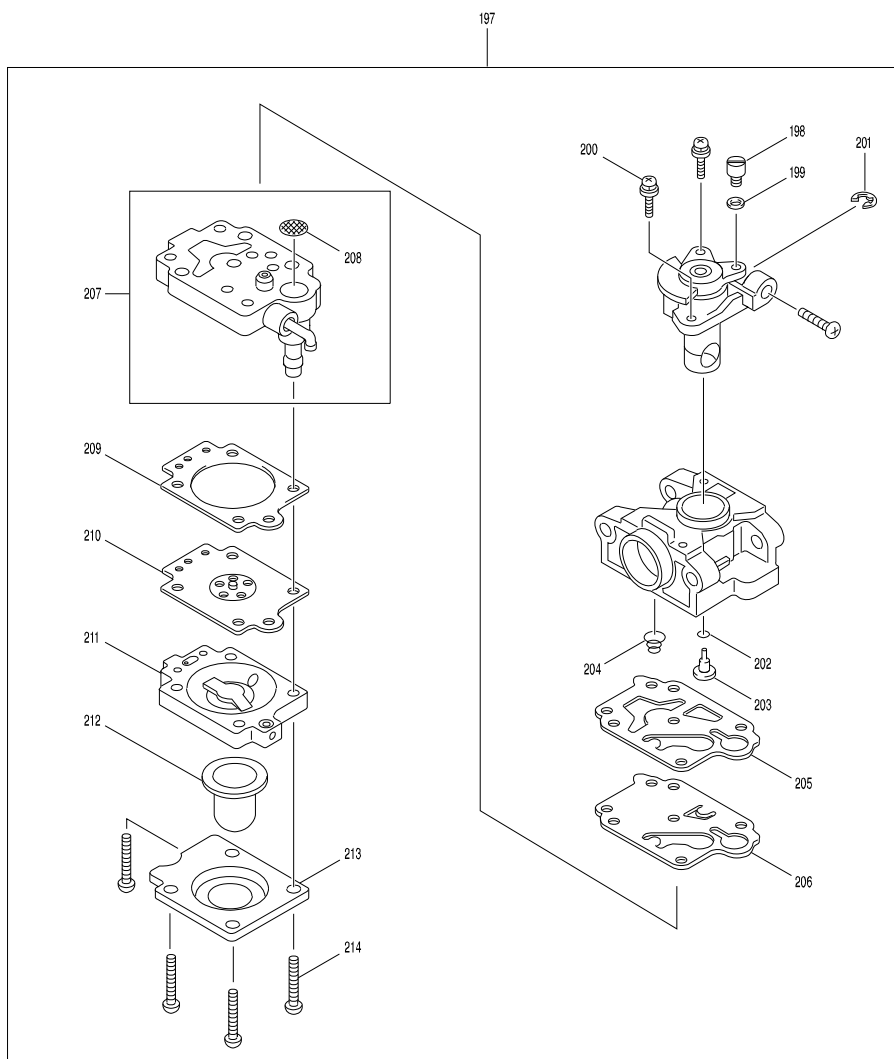


Modelo EM2653LH PETROL BRUSHCUTTER

Modelo EM2653LH PETROL BRUSHCUTTER

Modelo EM2653LH PETROL BRUSHCUTTER

Modelo EM2653LH PETROL BRUSHCUTTER



Modelo EM2653LH PETROL BRUSHCUTTER

Página 1 / 6

Pieza	Código	Descripción	Info	CTD.	N/O	Opc. 1	Opc. 2	OBS.
001	456675-7	LOOP HANDLE 24		1				
002	451601-1	SPACER 24		1				
003	126488-7	CONTROL LEVER ASSEMBLY		1				
D10		INC. 39-55						
004	347091-3	HANGER 24		1				
005	922212-4	HEX. SOCKET HEAD BOLT M5X12		2				
006	143896-7	SHAFT PIPE COMPLETE E		1				
C10	808723-2	CAUTION LABEL		1				
C20	809D53-8	CAUTION LABEL		1				
007	819312-8	MAKITA LOGO LABEL		1				
008	814E64-6	SERIAL NO. LABEL		1				
009	324893-4	SHAFT		1				
010	922206-9	HEX. SOCKET HEAD BOLT M5X10		2				
011	125556-3	GEAR CASE ASSEMBLY		1				
D10		INC. 14-20,23-28						
014	210049-4	BALL BEARING 609ZZ		1				
015	961005-4	RETAINING RING S-9		1				
016	962103-7	RETAINING RING R-24		1				
017	922241-7	HEX. SOCKET HEAD BOLT M5X25		1				
018	265590-2	+HEX.BOLT M8X10 WITH R		1				
020	183A00-2	CUTTER SHAFT SET		1				
023	210115-7	BALL BEARING 6001LLU		1				
024	962106-1	RETAINING RING R-28		1				
025	331861-0	RECEIVE WASHER		1				
026	346084-7	CLAMP WASHER		1				
027	168526-9	CUP		1				
028	264025-0	HEX. NUT M10-17		1				
029	452260-4	PROTECTOR		1				
030	413143-3	WASHER		2				
031	266280-0	HEX. SOCKET HEAD BOLT M6X25		2				
032	347012-5	PROTECTOR CLAMP 24		1				
033	266326-2	TAPPING SCREW 4X18		1				
034	819432-8	CAUTION TAG		1				
036	809D37-6	EM2653LH MODEL NO.LABEL		1				
039	266130-9	TAPPING SCREW BIND PT 3X16		1				
040	451595-0	SWITCH COVER		1				
041	451594-2	SWITCH LEVER		1				
042	232251-9	LEAF SPRING		1				
043	188832-6	LEVER CASE SET		1				
D10		INC. 55						
044	346248-3	CLAMP 24		2				
045	922218-2	H.S.H.BOLT M5X14 WITH WR		2				
046	451593-4	LOCK LEVER		1				
047	233541-3	TORSION SPRING 7		1				
048	168571-4	CONTROL CABLE		1				
049	233540-5	TORSION SPRING 11		1				
050	455313-8	THROTTLE LEVER		1				
051	638714-7	LEAD UNIT		1				

Modelo EM2653LH PETROL BRUSHCUTTER

Pieza	Código	Descripción	Info	CTD.	N/O	Opc. 1	Opc. 2	OBS.
052	638713-9	LEAD UNIT		1				
053	452071-7	CORRUGATE TUBE		1				
054	266326-2	TAPPING SCREW 4X18		4				
055	188832-6	LEVER CASE SET		1				
D10		INC. 43						
060	123499-3	CLEANER COVER ASSEMBLY		1				
D10		INC. 61						
061	265791-2	THUMB SCREW M4		1				
062	443171-4	AIR CLEANER ELEMENT		1				
063	443169-1	AIR CLEANER ELEMENT		1				
064	266618-9	H.S.BUTTON HEAD BOLT M5X60		2				
065	123501-2	CLEANER PLATE ASSEMBLY		1				
D10		INC. 66-68,219,220,230-233						
066	162346-3	SEPARATOR PLATE		1				
067	213540-1	O RING 15		1				
068	424316-3	CHECK VALVE		2				
069	422099-9	PIPE		1				
071	442153-3	CARBURETOR GASKET		1				
072	266787-6	H.S.H.BOLT M5X18 WITH WR		2				
073	451825-9	CLAMP		1				
074	451729-5	INSULATOR		1				
075	213547-7	O-RING 12		1				
076	422109-2	BREATHER PIPE		1				
077	345918-1	HOSE CLAMP		1				
078	318745-9	ROCKER COVER OUTER		1				
079	922222-1	HEX. SOCKET HEAD BOLT M5X16		4				
080	453860-3	ROCKER COVER INNER		1				
081	162304-9	ROCKER COVER GASKET		1				
082	424302-4	PLUG CAP		1				
083	324891-8	PLUG CAP SPRING		1				
084	168534-0	SPARK PLUG		1				
085	125554-7	ROCKER ARM ASSEMBLY		2				
086	256200-2	PIN 5		1				
087	256865-0	ROD 2.5		2				
088	325668-4	SPRING RETAINER		2				
089	143823-4	CLUTCH CASE COMPLETE		1				
090	922228-9	H.S.H.BOLT M5X18 WITH WR		3				
091	450569-8	SPACER		1				
092	961052-5	RETAINING RING S-12		1				
093	210111-5	BALL BEARING 6201LLU		1				
094	962151-6	RETAINING RING R-32		1				
095	168809-7	CLUTCH DRUM		1	*			
095-1	161588-6	CLUTCH DRUM COMPLETE	<	1				
096	266864-4	SHOULDER HEX. BOLT M6X25		2				
097	267817-6	WASHER 8		2				
098	126135-0	CLUTCH ASSEMBLY		1				
D10		INC. 99,100						
099	161332-1	CLUTCH SHOE		2				

Modelo EM2653LH PETROL BRUSHCUTTER

Pieza	Código	Descripción	Info	CTD.	N/O	Opc. 1	Opc. 2	OBS.
100	231881-3	TENSION SPRING 7		1				
101	267812-6	WASHER 6		2				
102	264039-9	CONED DISK SPRING HEXNUT M8-13		1				
103	318569-3	FLYWHEEL		1				
104	444021-6	TUBE		1				
105	266602-4	HEX. SOCKET HEAD BOLT M4X20		2				
106	452049-0	SPACER		2				
107	161483-0	IGNITION COIL		1				
108	268238-5	PIN 5		1				
109	125552-1	CAM GEAR ASSEMBLY		1				
110	313169-4	CAM LIFTER		2				
112	268239-3	PIN 4		1				
113	162274-2	CAM GEAR COVER GASKET		1				
114	318443-5	CAM GEAR COVER		1				
115	922222-1	HEX. SOCKET HEAD BOLT M5X16		3				
116	135478-9	CYLINDER BLOCK ASSEMBLY		1				
D10		INC. 117,118,137						
117	922222-1	HEX. SOCKET HEAD BOLT M5X16		6				
118	424201-0	CHECK VALVE		2				
119	346331-6	MUFFLER GASKET		1				
120	168554-4	EXHAUST MUFFLER		1				
C10	324980-9	SPARK ARRESTER		1				
121	266440-4	HEX SOCKET HEAD BOLT M5X40		2				
122	168483-1	PULLEY		1				
123	451731-8	MUFFLER PLATE		1				
124	922218-2	H.S.H.BOLT M5X14 WITH WR		1				
125	638707-4	LEAD UNIT		1				
126	638708-2	LEAD UNIT		1				
128	922218-2	H.S.H.BOLT M5X14 WITH WR		1				
129	453266-5	CYLINDER COVER		1				
130	922218-2	H.S.H.BOLT M5X14 WITH WR		1				
131	424082-2	BUFFER RUBBER		1				
132	922211-6	HEX. SOCKET HEAD BOLT M5X12		1				
133	922226-3	HEX. SOCKET HEAD BOLT M5X18		2				
134	318249-1	PIPE HOLDER		1				
135	318250-6	PIPE HOLDER		1				
136	424083-0	BUFFER RUBBER		1				
137	424200-2	SPACER		2				
138	234108-0	COMPRESSION SPRING 9		2				
140	326366-3	EXHAUST VALVE		1				
143	326367-1	INTAKE VALVE		1				
144	195145-8	PISTON RING SET		1				
147	318441-9	PISTON		1				
148	254040-2	WOODRUFF KEY 3		1				
149	123774-7	CRANK SHAFT ASSEMBLY		1				
D10		INC. 150-152						
150	213769-9	OIL SEAL 10		1				
151	267400-9	FLAT WASHER 23		1				

Modelo EM2653LH PETROL BRUSHCUTTER

Pieza	Código	Descripción	Info	CTD.	N/O	Opc. 1	Opc. 2	OBS.
152	213089-1	OIL SEAL 12		1				
153	257781-9	PISTON PIN		1				
154	233976-8	CLIP		2				
155	162345-5	OIL CASE GASKET		1				
156	346083-9	LEAD VALVE		1				
157	318910-0	RETAINER PLATE		1				
158	922112-8	HEX. SOCKET HEAD BOLT M4X10		1				
159	318588-9	OIL CASE		1				
160	922222-1	HEX. SOCKET HEAD BOLT M5X16		4				
161	424344-8	DAMPER		1				
162	346305-7	GASKET		1				
163	266611-3	HEX BOLT M6X8		1				
164	213548-5	O-RING 20		1				
166	282020-8	HOSE CLAMP		1				
167	325666-8	OIL WEIGHT		1				
168	125805-8	OIL TUBE ASSEMBLY		1				
C10	424301-6	OIL TUBE		1				
D10		INC. 166,167						
169	452047-4	OIL CAP		1				
170	424343-0	GASKET		1				
171	452048-2	OIL PIPE		1				
172	922218-2	H.S.H.BOLT M5X14 WITH WR		2				
173	125728-0	FUEL TANK CAP ASSEMBLY		1				
D10		INC. 174						
175	168755-4	TUBE COMPLETE		1				
176	282020-8	HOSE CLAMP		1				
177	163518-3	GASOLINE FILTER		1				
178	451736-8	FUEL TANK		1				
179	424080-6	BUFFER RUBBER		2				
180	424081-4	BUFFER RUBBER		1				
181	451737-6	TANK GUARD		1				
182	922218-2	H.S.H.BOLT M5X14 WITH WR		4				
183	125752-3	RECOIL STARTER ASSEMBLY		1				
D10		INC. 184,185,187-193						
184	424319-7	STARTER KNOB		1				
185	424359-5	DAMPER		1				
187	266585-8	TAPPING SCREW 5X12		1				
188	325923-4	SWING ARM		1				
189	451938-6	COLLAR		1				
190	451937-8	REEL		1				
191	232258-5	SPIRAL SPRING		1				
192	444023-2	STARTER ROPE		1				
193	451733-4	STARTER CASE		1				
194	922223-9	H.S.H.BOLT M5X16 WITH WR		4				
196	816565-0	MAKITA LOGO LABEL		1				
197	168762-7	CARBURETOR		1				
D10		INC. 198-207,209-214						
198	325922-6	SWIVEL		1				

Modelo EM2653LH PETROL BRUSHCUTTER

Pieza	Código	Descripción	Info	CTD.	N/O	Opc. 1	Opc. 2	OBS.
199	413140-9	WASHER		1				
200	266581-6	PAN HEAD SCREW M3X8 WITH W		2				
201	257964-1	STOP RING E-3		1				
202	213538-8	O RING 2		1				
203	325985-2	JET		1				
204	234183-6	CONICAL COMPRESSION SPRING 5-9		1				
205	442155-9	PUMP GASKET		1				
206	168575-6	PUMP DIAPHRAGM		1	*			
206-1	WJ00009599	PUMP DIAPHRAGM	O	1				
207	141737-1	PUMP BODY		1				
D10		INC. 208						
208	352021-1	INLET SCREEN		1				
209	442154-1	METERING DIAPHRAGM GASKET		1				
210	168620-7	METERING DIAPHRAGM		1				
211	140438-8	AIR PURGE BODY		1				
212	424314-7	PRIMER PUMP		1				
213	346270-0	PRIMER PUMP COVER		1				
214	266582-4	TAPPING SCREW 3X24		4				
215	810455-9	CAUTION PLATE		1				
216	800F73-7	INDICATION LABEL		1				
217	941152-7	FLAT WASHER 6		1				
218	852F03-4	SERIAL NO. LABEL		1	*			
218-1	816567-6	SERIAL NO. LABEL	X	1				
219	352020-3	SEPARATOR MESH		1				
220	453865-3	SEPARATOR CASE		1				
221	453862-9	OIL CASE PLATE		1				
224	347011-7	PIPE CLAMP 29		1				
225	443170-6	FELT		1				
227	922212-4	HEX. SOCKET HEAD BOLT M5X12		1				
228	143695-7	BARRIER COMPLETE		1				
D10		INC. 229						
229	911128-8	P.H.SCREW M4X16 WITH WR		1				
230	266007-8	TAPPING SCREW BIND PT 3X10		1				
231	266427-6	TAPPING SCREW 4X12		1				
232	452219-1	CHOKE PLATE		1				
233	452220-6	CHOKE LEVER		1				
234	263005-3	RUBBER PIN 6		1				
235	135753-3	PROTECTOR EXTENSION ASSY		1				
D10		INC. 33,236						
236	347050-7	CUTTER		1				
239	347094-7	CLAMP 24		1				
A01	125516-5	BAND ASSEMBLY		1				
A02	195500-4	OIL SET		1	*			
A02-1	197007-6	OIL SET	O	1				
A03	783013-3	BOX DRIVER 16-17		1				
A04	783217-7	HEX. WRENCH 5		1				
A05	783202-0	HEX. WRENCH 4		1				
A06	831304-7	ACCESSORY BAG		1				

