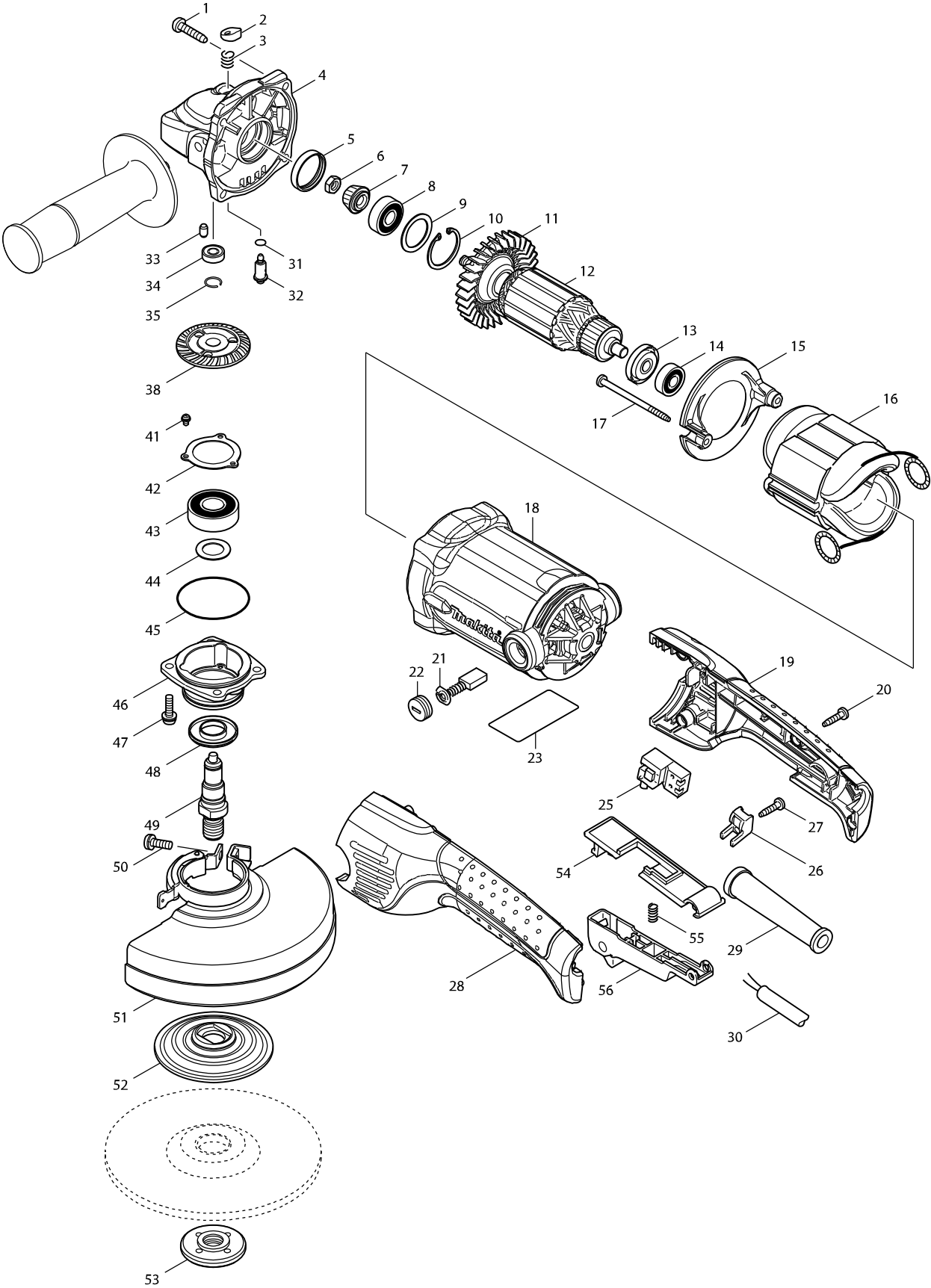


Modelo GA6011 ANGLE GRINDER 150MM



Pieza	Código	Descripción	Info	CTD.	N/O	Opc. 1	Opc. 2	OBS.
001	266041-8	TAPPING SCREW 5X25		4				
002	417771-6	PIN CAP		1				
003	234057-1	COMPRESSION SPRING 8		1				
004	318158-4	GEAR HOUSING		1				
005	262132-3	RUBBER RING 27		1				
006	264010-3	HEX.NUT M7		1				
007	227520-1	SPIRAL BEVEL GEAR 11		1				
008-1	210059-1	BALL BEARING 6000DDW		1				
009	267352-4	FLAT WASHER 22		1				
010	962107-9	RETAINING RING (INT) R-30		1				
011	240094-5	FAN 70		1				
012	513701-6	ARMATURE ASS'Y 115V		1				
D10		INC. 11,13,14						
013	681644-1	INSULATION WASHER		1				
014	210005-4	BALL BEARING 608DDW		1				
015	419961-7	BAFFLE PLATE		1				
016-1	520070-8	FIELD ASSY 115V		1				
C10	654020-2	RING TERMINAL		2				
C20	654555-3	CONNECTOR 34130		2				
017	266340-8	TAPPING SCREW 4X65		2				
018	158278-0	MOTOR HOUSING COMPLETE		1				
C10	643708-9	BRUSH HOLDER 5-11		2				
019	188462-3	HANDLE SET		1				
D10		INC. 28						
020	266326-2	TAPPING SCREW 4X18		4				
021-1	194996-6	CARBON BRUSH SET CB-303		1				
022	643750-0	BRUSH HOLDER CAP 7-11		2				
023	864621-0	GA6011 NAME PLATE		1				
025-2	651922-3	SWITCH TG71B		1				
026	687260-7	STRAIN RELIEF		1				
027	266326-2	TAPPING SCREW 4X18		1				
028	188462-3	HANDLE SET		1				
D10		INC. 19						
029	682505-8	CORD GUARD 10-90		1				
030-1	664285-8	POWER SUPPLY CORD #16-2-2.5		1				
031	213977-2	O RING 7		1				
032	256505-0	SHOULDER PIN 5		1				
033	263002-9	RUBBER PIN 4		1				
034	210006-2	BALL BEARING 696ZZ		1				
035	233950-6	RING SPRING 11		1				
038	227521-9	SPIRAL BEVEL GEAR 35A		1				
041	911003-8	PAN HEAD SCREW M3X6		3				
042	285728-3	BEARING RETAINER 39		1				
043	211228-7	BALL BEARING 6202DDW		1				
044	253853-8	FLAT WASHER 15		1				
045	213624-5	O RING 48		1				
046-1	318300-7	BEARING BOX		1				
047	265131-4	PAN HEAD SCREW M5X18		4				

