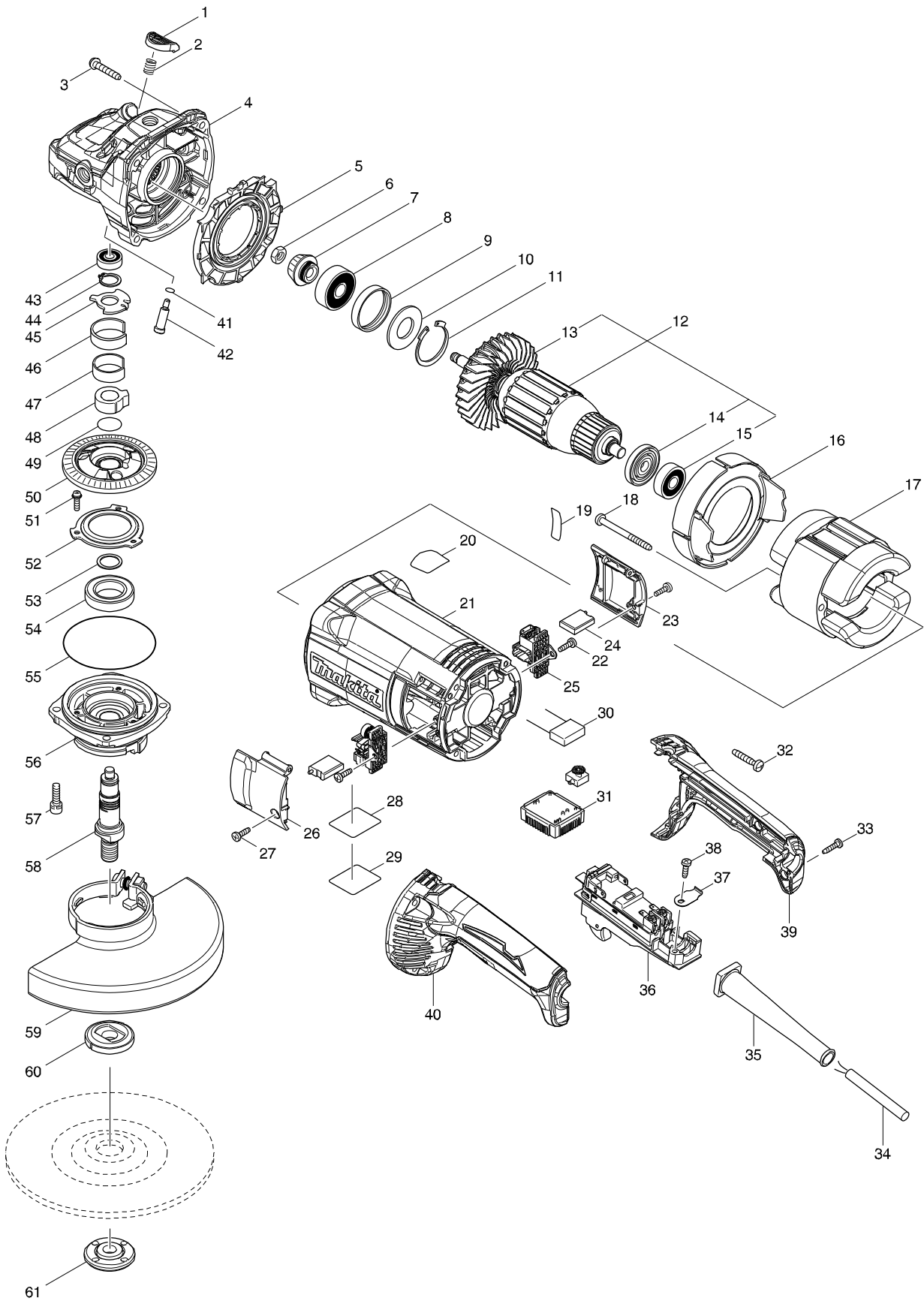


Modelo GA7061R 180MM ANGLE GRINDER



Modelo GA7061R 180MM ANGLE GRINDER

Página 1 / 2

Pieza	Código	Descripción	Info	CTD.	N/O	Ventas	Compra	OBS.
001	456247-8	PIN CAP		1		6.00		
002	234391-9	COMPRESSION SPRING 8		1		1.00		
003	251489-7	TAPPING SCREW 5X30		4				
004	143485-8	GEAR HOUSING COMPLETE		1		289.00		
C10	263002-9	RUBBER PIN 4		1		2.00		
005	456238-9	DIFFUSER		1		37.00		
006	252194-9	HEX. NUT M8		1		2.00		
007	227655-8	SPIRAL BEVEL GEAR 17		1				
008	211132-0	BALL BEARING 6301DDW		1		110.00		
009	262085-6	RUBBER RING 38		1		5.00		
010	267299-2	FLAT WASHER 20		1		5.00		
011	962211-4	RETAINING RING R-42		1		17.00		
D10		INC. 13-15						
012A	513447-4	ARMATURE ASS'Y 115V		1		655.00		
012B	513448-2	ARMATURE ASS'Y 220V		1		655.00		
013	240161-6	FAN 86		1		69.00		
014	681630-2	INSULATION WASHER		1		16.00		
015	211087-9	BALL BEARING 6200DDW		1		77.00		
016	456239-7	BAFFLE PLATE		1		9.00		
017A	621777-0	FIELD 115V		1		716.00		
017B	621778-8	FIELD 220V		1		716.00		
018	266044-2	TAPPING SCREW 5X60		2		16.00		
019	851V88-3	GA7061R SERIAL NO. LABEL		1				
020	898443-6	SJS2 MARK LABEL		1				
021	456240-2	MOTOR HOUSING		1		250.00		
022	266385-6	TAPPING SCREW 4X14		2		2.00		
023	143950-7	BRUSH HOLDER COVER R COMPLETE		1		102.00		
024	197128-4	CARBON BRUSH CB-218		1		75.00		
025	643714-4	BRUSH HOLDER		2		35.00		
026	143949-2	BRUSH HOLDER COVER L COMPLETE		1		81.00		
027	266385-6	TAPPING SCREW 4X14		2		2.00		
028	851V85-9	GA7061R NAME PLATE		1				
029	808D02-2	CLEAR LABEL		1				
031A	620469-8	CONTROLLER		1		585.00		
031B	620470-3	CONTROLLER		1				
032	251489-7	TAPPING SCREW 5X30		4				
033	266326-2	TAPPING SCREW 4X18		2		2.00		
034A	664463-0	POWER SUPPLY CORD AWG#14-2-2.8		1		341.00		
034B	691216-4	POWER SUPPLY CORD 1.25-2-2.5		1				
035	682573-1	CORD GUARD 10		1		12.00		
036	632F77-9	SWITCH UNIT		1		381.00		
037A	687169-3	STRAIN RELIEF		1		4.00		
037B	687678-2	STRAIN RELIEF		1				
038	266385-6	TAPPING SCREW 4X14		1		2.00		
039	183C62-2	HANDLE SET		1		250.00		
D10		INC. 40						
040	183C62-2	HANDLE SET		1		250.00		
D10		INC. 39						

