

A

B

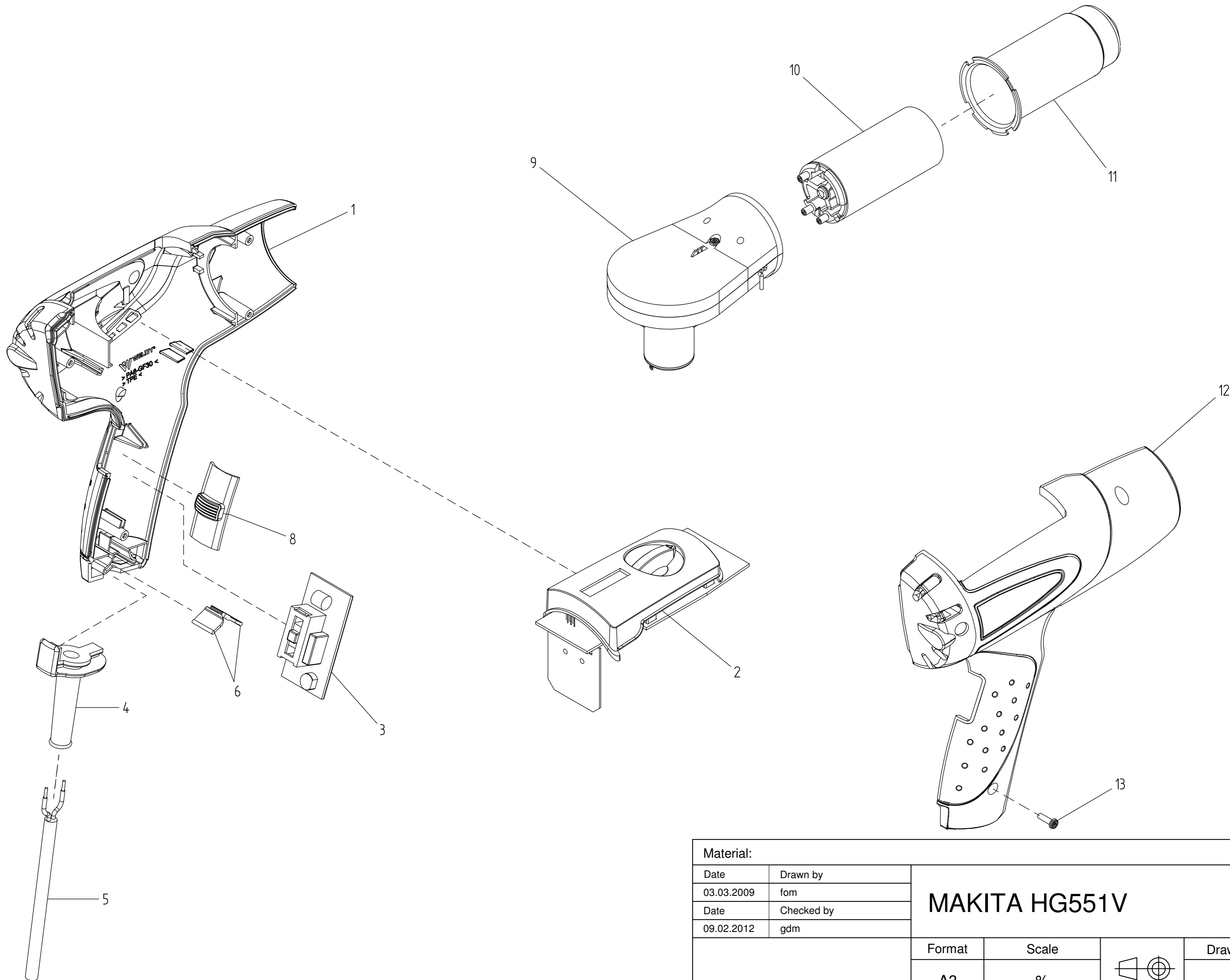
C

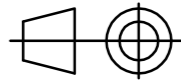
D

1

2

3



Material:				Volume:		
Date	Drawn by	MAKITA HG551V			Sheet	
03.03.2009	fom				1	
Date	Checked by				of	
09.02.2012	gdm				1	
		Format	Scale		Drawing number	Revision
		A3	%			A

Pos. no.	Item Number	Descripción	Designation 2
1	139.079	CARCASA IZQUIERDA	MAKITA
2	119.578	TERMICO	Tool B, HG551V
3	130.429	INTERRUPTOR	Tool B, HG551V
4	130.419	Cord guard	
5	130.432	CABLE ALIMENTACION	2 x 1mm ² x 2m, EU ("Konturen")
6	130.421	Strain relief	
8	130.415	PALANCA INTERRUPTOR	Tool A, HG5012; Tool B, HG551V
9	119.256	TURBINA MOTOR 110°C	Tool B, HG551V; Tool C, HG651C
10	119.577	CALENTADOR 230V/1800W	Tool B, HG551V
11	130.420	TUBO CUBRE CALENTADOR	
12	139.080	CARCASA DERECHA	MAKITA
13	130.417	Tamper resistant PT-screw	
-	130.442	MALETIN	Green