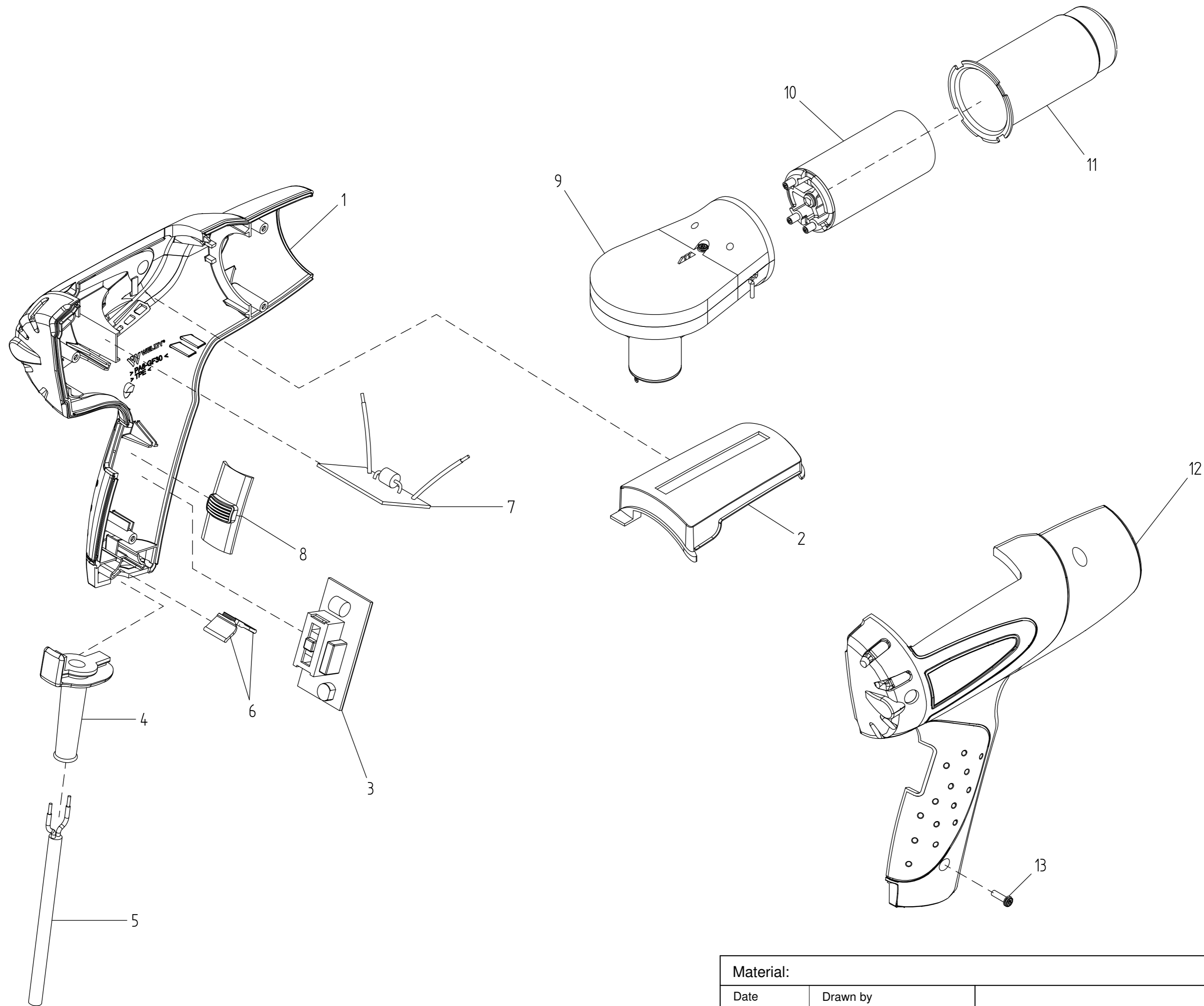


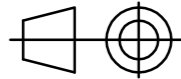
A

B

C

D



Material:				Volume:		
Date	Drawn by	MAKITA HG5012			Sheet	
02.03.2009	fom				1	
Date	Checked by				of	
09.02.2012	gdm				1	
		Format	Scale		Drawing number	Revision
		A3	%			A

Spare part list MAKITA new Design

Pos. no.	Item Number	Designation 1	Designation 2
1	139.079	Housing left part	MAKITA
2	130.431	Terminal	Tool A, HG5012
3	130.426	Switch board	Tool A, HG5012, 230V
4	130.419	Cord guard	
5	130.432	Power supply cord	2 x 1mm ² x 2m, EU ("Konturen")
6	130.421	Strain relief	
7	130.428	Diode board	Tool A, HG5012, 120V,100V
8	130.415	Actuator printed 2-step	Tool A, HG5012; Tool B, HG551V
9	128.147	Blower unit 80°C	Tool A, HG5012
10	125.723	Heating element 230V/1600W	Tool A, HG5012
11	130.420	Heater tube	
12	139.080	Housing right part	MAKITA
13	130.417	Tamper resistant PT-screw	
-	130.442	Plastic case	Green