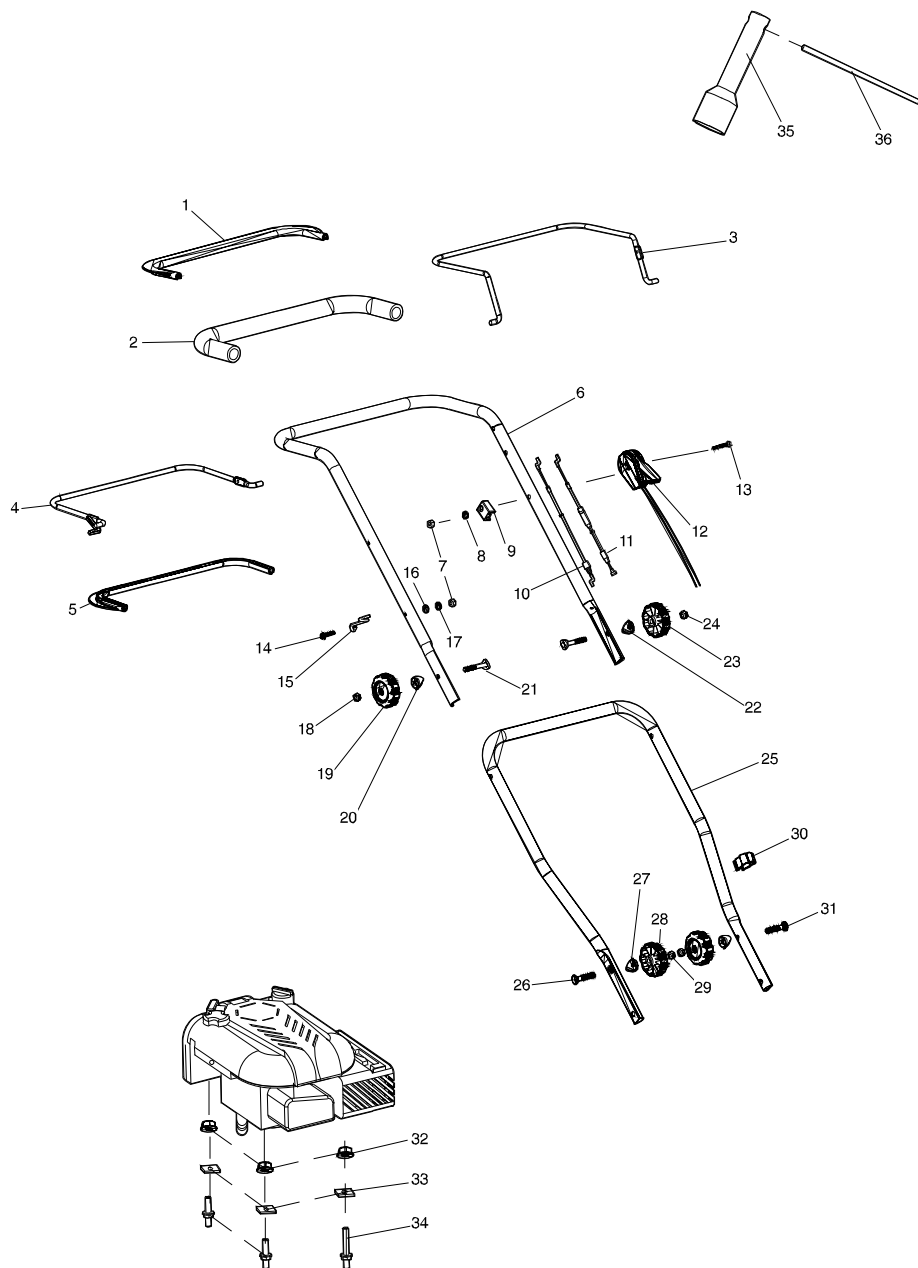


# Modelo PLM5121N2 PETROL LAWN MOWER



**Modelo PLM5121N2 PETROL LAWN MOWER**

**Modelo PLM5121N2 PETROL LAWN MOWER**

Pieza	Código	Descripción	Info	CTD.	N/O	Opc. 1	Opc. 2	OBS.
001	671687001	PULLING POLE BUCKLE		1				
002	671103001	HANDLE SHEATH		1				
003	DA00001087	FRAMOUT POLE		1				
004	DA00001060	DRIVING POLE		1				
005	671687001	PULLING POLE BUCKLE		1				
006	671001814	UPPER HANDLE		1				
007	DA00000575	LID SHAPE NUT M6		2				
008	DA00000574	FLAT WASHER		1				
009	DA00000573	CABLE FIXING PLATE		1				
010	DA00001164	FRAMOUT CABLE		1				
011	DA00000952	DRIVING CABLE		1				
012	DA00001165	THROTTLE ASS'Y		1				
013	DA00000572	HEXAGON FLANGE BOLT		1				
014	DA00000577	HEXAGON FLANGE BOLT		1				
015	DA00000579	CABLE HOOK		1				
016	DA00000574	FLAT WASHER		1				
017	DA00000576	SPRING WASHER		1				
018	DA00000563	HEXAGON NUT		1				
019	DA00000564	KNOB		1				
020	DA00000924	GASKET		1				
021	DA00000569	FLAT HEAD BOLT		2				
022	DA00000924	GASKET		1				
023	DA00000564	KNOB		1				
024	DA00000563	HEXAGON NUT		1				
025	DA00000951	LOWER HANDLE		1				
026	DA00000566	BOLT		1				
027	DA00000924	GASKET		2				
028	DA00000564	KNOB		2				
029	DA00000563	HEXAGON NUT		2				
030	DA00001170	CABLE CLAMP		1				
031	DA00000566	BOLT		1				
032	DA00000537	HEXAGON FLANGE LOCK NUT		3				
033	DA00000582	SQUARE WASHER		3				
034	DA00000617	SPECIAL BOLT		3				
035	DA00000583	WRENCH		1				
036	DA00000584	WRENCH POLE		1				
037	671689001	GEAR BOX PROTECTING COVER		1				
038	671314001	COVER FIXING CAP		2				
039	DA00000614	SELF-TAPPING SCREW ST4.8*19		4				
040	DA00000562	HEXAGON FLANGE BOLT		2				
041	671001710	HEIGHT ADJUSTMENT BOARD		1				
042	DA00000537	HEXAGON FLANGE LOCK NUT		2				
043	DA00000588	RIGHT BRACKET OF HANDLE (BLUE)		1				
044	DA00000562	HEXAGON FLANGE BOLT		4				
045	DA00000587	LIEFT BRACKET OF HANDLE (BLUE)		1				
046	DA00000537	HEXAGON FLANGE LOCK NUT		4				
047	DA00000560	SIDE DISCHARGE PROTECTING		1				
048	DA00000559	SIDE DISCHARGE COVER BOARD		1				

**Modelo PLM5121N2 PETROL LAWN MOWER**

Pieza	Código	Descripción	Info	CTD.	N/O	Opc. 1	Opc. 2	OBS.
049	DA00000556	SIDE DISCHARGE SPRING		1				
050	DA00000558	AXIS		1				
051	DA00000543	METAL HEXAGON FLANGE LOCK NUT		2				
052	DA00000555	PRESSING BOARD		1				
053	DA00000552	TRIGGER SCREW		2				
054	671015250	DECK(MAKITA BLUE)		1				
055	DA00000546	CONNECTION ROD SPRING		1				
056	671001813	CONNECTION ROD		1				
057	DA00000549	HEXAGON LOCK NUT		1				
058	DA00000549	HEXAGON LOCK NUT		1				
059	671001322	11 WHEEL COVER		1				
060	DA00000537	HEXAGON FLANGE LOCK NUT		1				
061	DA00000538	BEARING		1				
062	671002021	11 WHEEL ASS'Y		1				
063	DA00000538	BEARING		1				
064	671200010	WHEEL GEAR RING		1				
065	DA00000603	SELF-TAPPING SCREW		6				
066	671007065	WASHER		1				
067	671251800	DUST-PROOF WHEEL COVER		1				
068	DA00000604	OPEN BLOCK RING		2				
069	DA00001091	RIGHT GEAR		1				
070	671007059	FLAT WASHER		1				
071	DA00001029	BEARING		1				
072	DA00000610	BEARING SHEATH		1				
073	DA00000612	OPEN BLOCK RING		1				
074	671001812	REAR WHEEL AXIS SS'Y		1				
075	DA00000549	HEXAGON LOCK NUT		2				
076	671001707	HANDLE		1				
077	DA00001058	HANDLE SHEATH		1				
078	671002030	CROSS HEAD SCREW M6X14		2				
079	671002019	TRIGGER SCREW		2				
080	DA00000542	FIXING RING FOR WHEEL AXIS		1				
081	DA00000543	METAL HEXAGON FLANGE LOCK NUT		2				
082	DA00000543	METAL HEXAGON FLANGE LOCK NUT		2				
083	DA00000542	FIXING RING FOR WHEEL AXIS		1				
084	671002019	TRIGGER SCREW		2				
085	DA00000612	OPEN BLOCK RING		1				
086	DA00000610	BEARING SHEATH		1				
087	671251800	DUST-PROOF WHEEL COVER		1				
088	671007065	WASHER		1				
089	DA00001029	BEARING		1				
090	671007059	FLAT WASHER		1				
091	DA00001090	LEFT OUTPUT GEAR ASSEMBLY		1				
092	DA00000604	OPEN BLOCK RING		2				
093	DA00000603	SELF-TAPPING SCREW		6				
094	671200010	WHEEL GEAR RING		1				
095	DA00000538	BEARING		1				
096	671002021	11 WHEEL ASS'Y		1				

**Modelo PLM5121N2 PETROL LAWN MOWER**

Pieza	Código	Descripción	Info	CTD.	N/O	Opc. 1	Opc. 2	OBS.
097	DA00000538	BEARING		1				
098	DA00000537	HEXAGON FLANGE LOCK NUT		1				
099	671001322	11 WHEEL COVER		1				
100	DA00000536	WHEEL COVER		1				
101	DA00000537	HEXAGON FLANGE LOCK NUT		1				
102	DA00000538	BEARING		1				
103	671020160	8 WHEEL ASS'Y		1				
104	DA00000538	BEARING		1				
105	671002019	TRIGGER SCREW		2				
106	DA00000542	FIXING RING FOR WHEEL AXIS		1				
107	DA00000543	METAL HEXAGON FLANGE LOCK NUT		2				
108	DA00000545	WHEEL AXIS SHEATH		4				
109	671001811	FRONT WHEEL AXIS ASS'Y		1				
110	DA00000543	METAL HEXAGON FLANGE LOCK NUT		2				
111	DA00000542	FIXING RING FOR WHEEL AXIS		1				
112	671002019	TRIGGER SCREW		2				
113	DA00000538	BEARING		1				
114	671020160	8 WHEEL ASS'Y		1				
115	DA00000538	BEARING		1				
116	DA00000537	HEXAGON FLANGE LOCK NUT		1				
117	DA00000536	WHEEL COVER		1				
118	671011173	GEAR BOX SPRING		1				
119	671502015	GEAR BOX		1				
120	DA00000597	COLUMN PIN		2				
121	671020380	TRIANGLE BELT		1				
122	DA00000599	DRIVING WHEEL		1				
123	DA00000598	SCREW		1				
124	DA00000594	BELT PROTECTING COVER		1				
125	DA00000537	HEXAGON FLANGE LOCK NUT		3				
126	671319001	BLADE LINING SHEATH		1				
127	DA00000535	FLAT KEY		1				
128	671002049	BLADE SUPPORT		1				
129	DA00000533	UPPER PRESSING PLATE FOR BLADE		1				
130	DA00000944	BLADE		1				
131	DA00000531	LOWER PRESSING PLATE FOR BLADE		1				
132	DA00000530	BLADE SUPPORT PRESSING PLATE		1				
133	DA00000529	LID SHAPE WASHER		1				
134	671006141	BLADE TIGHTEN BOLT		1				