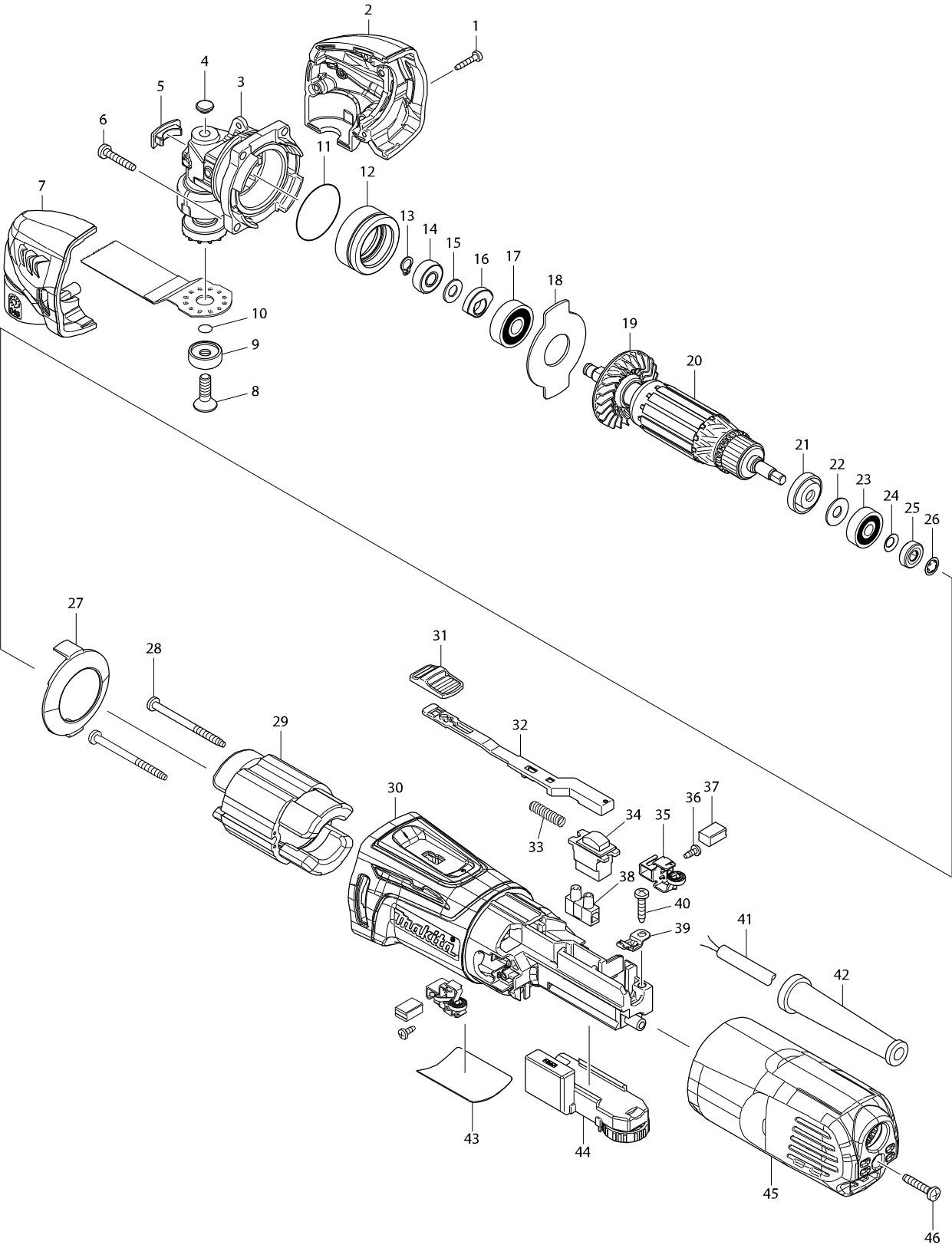


Modelo TM3000C MULTI HERRAMIENTAS



Modelo TM300C MULTI HERRAMIENTAS

| Pieza | Código | Descripción | Info | CTD. | N/O | Opc. 1 | Opc. 2 | OBS. |
|-------|----------|-----------------------------------|------|------|-----|--------|--------|------|
| 001 | 266429-2 | TORNILLO DE LA TAPA 3X16 P/TD010 | | 3 | | | | |
| 002 | 187373-9 | HEAD COVER SET | | 1 | | | | |
| | D10 | INC. 7 | | | | | | |
| 003 | 141640-6 | CRANK HOUSING COMPLETE | | 1 | * | | | |
| 003-1 | 142075-4 | CRANK HOUSING COMPLETE | < | 1 | * | | | |
| 003-2 | 142399-8 | CRANK HOUSING COMPLETE | < | 1 | | | | |
| 004 | 424511-5 | CRANK HOUSING CAP B | | 1 | | | | |
| 005 | 424510-7 | CRANK HOUSING CAP A | | 1 | | | | |
| 006 | 266424-2 | TAPPING SCREW 4X20 | | 4 | | | | |
| 007 | 187373-9 | HEAD COVER SET | | 1 | | | | |
| | D10 | INC. 2 | | | | | | |
| 008 | 266783-4 | HEX.SOCKET C.S.H.SCREW M6X20 | | 1 | | | | |
| 009 | 224455-7 | OUTER FLANGE 22 | | 1 | | | | |
| 010 | 213021-5 | EMPAQUE DE GOMA "O" 5 P/LS0810 | | 1 | | | | |
| 011 | 213479-8 | EMPAQUE 33 P/HM1100, HM1140C | | 1 | | | | |
| 012 | 326199-6 | BEARING BOX | | 1 | | | | |
| 013 | 961003-8 | ANILLO DE RETEN S-7 P/9015DB | | 1 | | | | |
| 014 | 211392-4 | SPHERE BEARING 706 | | 1 | | | | |
| 015 | 253133-2 | ARANDELA 6 P/JS1660, DP4002 | | 1 | | | | |
| 016 | 313245-4 | BALANCER | | 1 | | | | |
| 017 | 211092-6 | BALERO 679DDW P/UB1101 | | 1 | | | | |
| 018 | 285857-2 | BEARING RETAINER | | 1 | | | | |
| 019 | 240140-4 | FAN 46 | | 1 | | | | |
| 020 | 517681-8 | ARMATURE ASSEMBLY 115V | | 1 | | | | |
| | D10 | INC. 19,21-26 | | | | | | |
| 021 | 681636-0 | ARANDELA DE AISLAMIENTO P/4304 | | 1 | | | | |
| 022 | 267426-1 | FLAT WASHER 7 | | 1 | | | | |
| 023 | 210023-2 | BALERO 627DDW P/9911 (ANTES 2100) | | 1 | | | | |
| 024 | 267756-0 | RONDANA DE PRESION 6 P/9561C | | 1 | | | | |
| 025 | 688174-3 | MANGUITO MAGNETICO P/RT0700C | | 1 | * | | | |
| 025-1 | 688117-5 | BUJE IMANTADO P/GD0800C | O | 1 | | | | |
| 026 | 259039-2 | SEGURO 6 P/4340CT | | 1 | | | | |
| 027 | 453828-9 | BAFFLE PLATE | | 1 | | | | |
| 028 | 266415-3 | TORNILLO 4X55 P/HP1630 | | 2 | | | | |
| 029 | 623556-2 | FIELD 115V | | 1 | | | | |
| 030 | 453823-9 | MOTOR HOUSING | | 1 | | | | |
| 031 | 453761-5 | SWITCH KNOB | | 1 | | | | |
| 032 | 453825-5 | SWITCH LEVER | | 1 | | | | |
| 033 | 234263-8 | COMPRESSION SPRING 5 | | 1 | | | | |
| 034 | 651609-7 | SWITCH SS106A-7-1 | | 1 | | | | |
| 035 | 643839-4 | PORTA CARBONES 6X9 P/GA4030 | | 2 | | | | |
| 036 | 266492-5 | TORNILLO 3 x 5 P/GA4534 | | 2 | | | | |
| 037 | 195025-8 | JUEGO DE CARBONES CB-458 P/GA4030 | | 1 | | | | |
| 038 | 654532-5 | BLOQUE TERMINAL 1P P/5740NB, BO- | | 1 | | | | |
| 039 | 687681-3 | ANCLAJE DEL CABLE P/GA4030 | | 1 | | | | |
| 040 | 266326-2 | TORNILLO 4X18 P/MT240,MT580 | | 1 | | | | |
| 041 | 664891-9 | CABLE DE PODER No.18-2-2.5 P/4304 | | 1 | | | | |
| 042 | 682569-2 | CUBRE CABLE P/MT811 | | 1 | | | | |

| Pieza | Código | Descripción | Info | CTD. | N/O | Opc. 1 | Opc. 2 | OBS. |
|-------|----------|-----------------------------------|------|------|-----|--------|--------|------|
| 043 | 897303-9 | TM3000C NAME PLATE | | 1 | | | | |
| 044 | 620147-0 | CONTROLLER | | 1 | | | | |
| 045 | 453824-7 | REAR COVER | | 1 | | | | |
| 046 | 266424-2 | TAPPING SCREW 4X20 | | 1 | | | | |
| A01 | 410047-0 | DEPOSITO DE LA LLAVE 5.6 P/5201NA | | 1 | | | | |
| A02 | 783203-8 | HEX. WRENCH 5 | | 1 | | | | |
| A03 | 313248-8 | ADAPTER A | | 1 | | | | |
| A04 | 313249-6 | ADAPTER C | | 1 | | | | |
| | | | | | | | | |
| | | | | | | | | |
| | | | | | | | | |
| | | | | | | | | |
| | | | | | | | | |
| | | | | | | | | |
| | | | | | | | | |
| | | | | | | | | |
| | | | | | | | | |
| | | | | | | | | |
| | | | | | | | | |
| | | | | | | | | |
| | | | | | | | | |
| | | | | | | | | |
| | | | | | | | | |
| | | | | | | | | |
| | | | | | | | | |
| | | | | | | | | |
| | | | | | | | | |
| | | | | | | | | |
| | | | | | | | | |
| | | | | | | | | |
| | | | | | | | | |
| | | | | | | | | |
| | | | | | | | | |
| | | | | | | | | |
| | | | | | | | | |
| | | | | | | | | |
| | | | | | | | | |
| | | | | | | | | |
| | | | | | | | | |
| | | | | | | | | |
| | | | | | | | | |
| | | | | | | | | |
| | | | | | | | | |
| | | | | | | | | |
| | | | | | | | | |
| | | | | | | | | |
| | | | | | | | | |
| | | | | | | | | |
| | | | | | | | | |
| | | | | | | | | |
| | | | | | | | | |
| | | | | | | | | |
| | | | | | | | | |
| | | | | | | | | |
| | | | | | | | | |
| | | | | | | | | |