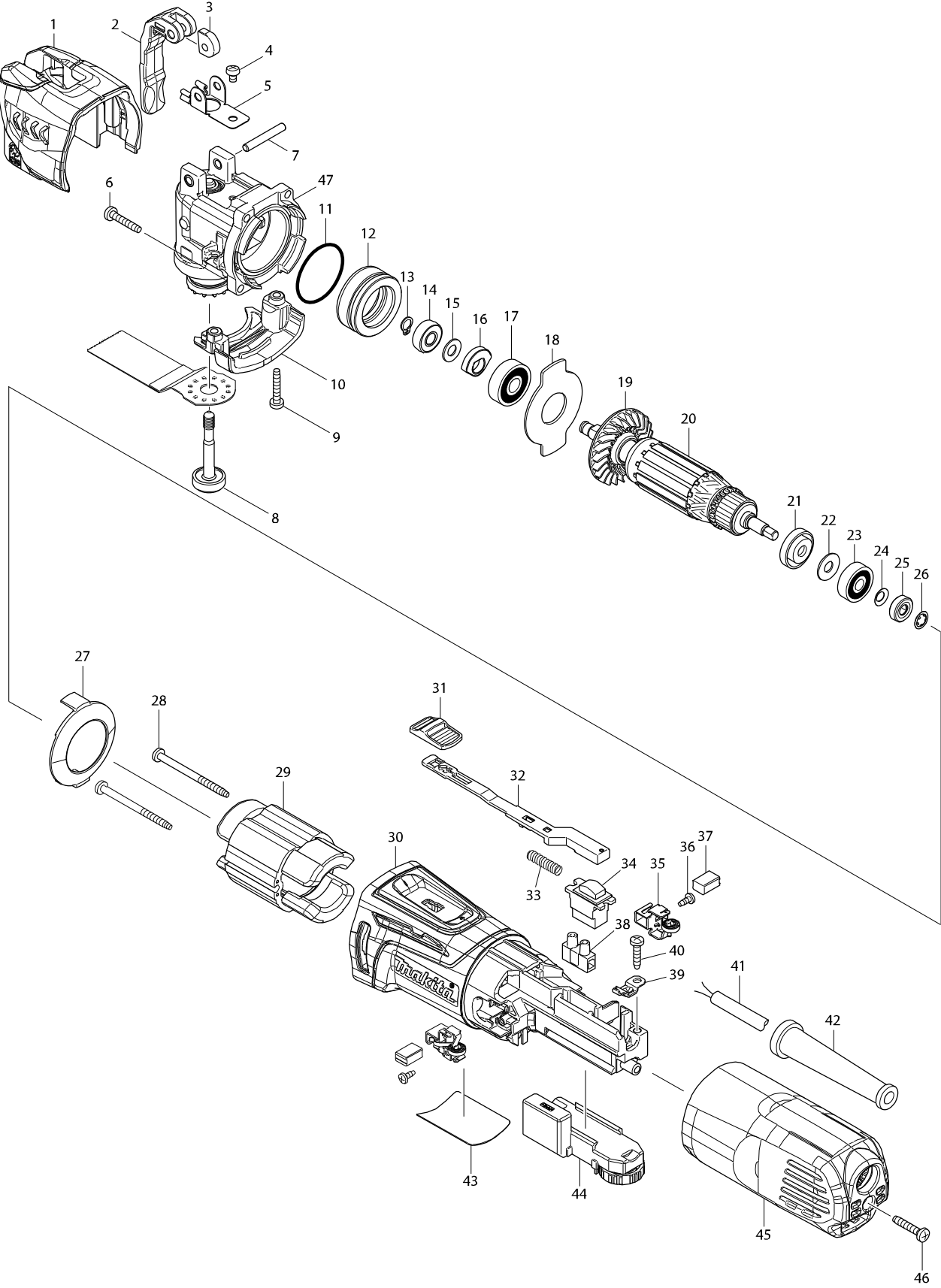


Modelo TM3010C MULTI HERRAMIENTAS



# Modelo TM3010C MULTI HERRAMIENTAS

Pieza	Código	Descripción	Info	CTD.	N/O	Opc. 1	Opc. 2	OBS.
001	454634-5	UPPER HEAD COVER		1	*			
001-1	455272-6	UPPER HEAD COVER	O	1				
002	319059-9	LEVER		1				
003	313268-2	TURN BLOCK		1				
004	911102-6	PAN HEAD SCREW M4X6		1				
005	232282-8	LEAF SPRING		1				
006	266424-2	TAPPING SCREW 4X20		4				
007	268306-4	PIN 5		1				
008	326346-9	HOLDER BOLT		1				
009	266424-2	TAPPING SCREW 4X20		2				
010	454635-3	LOWER HEAD COVER		1				
011	213343-3	ANILLO DE GOMA 35 P/FS2700		1				
012	326347-7	BEARING BOX		1				
013	961003-8	ANILLO DE RETEN S-7 P/9015DB		1				
014	211392-4	SPHERE BEARING 706		1	*			
014-1	210164-4	SPHERE BEARING 706	O	1				
015	253133-2	ARANDELA 6 P/JS1660, DP4002		1				
016	313245-4	BALANCER		1				
017	211092-6	BALERO 679DDW P/UB1101		1				
018	285857-2	BEARING RETAINNER		1				
019	240140-4	FAN 46		1				
020	517681-8	ARMATURE ASSEMBLY 115V		1				
D10		INC. 19,21-26						
021	681636-0	ARANDELA DE AISLAMIENTO P/4304		1				
022	267426-1	FLAT WASHER 7		1				
023	210023-2	BALERO 627DDW P/9911 (ANTES 2100)		1				
024	267756-0	RONDANA DE PRESION 6 P/9561C		1				
025	688174-3	MANGUITO MAGNETICO P/RT0700C		1	*			
025-1	688117-5	BUJE IMANTADO P/GD0800C	O	1				
026	259039-2	SEGURO 6 P/4340CT		1				
027	453828-9	BAFFLE PLATE		1				
028	266415-3	TORNILLO 4X55 P/HP1630		2				
029	623556-2	FIELD 115V		1				
030	453823-9	MOTOR HOUSING		1				
031	453761-5	SWITCH KNOB		1				
032	453825-5	SWITCH LEVER		1				
033	234263-8	COMPRESSION SPRING 5		1				
034	651609-7	SWITCH SS106A-7-1		1				
035	643839-4	PORTA CARBONES 6X9 P/GA4030		2				
036	266492-5	TORNILLO 3 x 5 P/GA4534		2				
037	195025-8	JUEGO DE CARBONES CB-458 P/GA4030		1				
038	654532-5	BLOQUE TERMINAL 1P P/5740NB, BO-		1				
039	687681-3	ANCLAJE DEL CABLE P/GA4030		1				
040	266326-2	TORNILLO 4X18 P/MT240,MT580		1				
041	664891-9	CABLE DE PODER No.18-2-2.5 P/4304		1				
042	682569-2	CUBRE CABLE P/MT811		1				
043	814T82-4	TM3010C NAME PLATE		1				
044	620232-9	CONTROLLER		1				

**Modelo TM3010C MULTI HERRAMIENTAS**

Pieza	Código	Descripción	Info	CTD.	N/O	Opc. 1	Opc. 2	OBS.
045	453824-7	REAR COVER		1				
046	266424-2	TAPPING SCREW 4X20		1				
047	142208-1	CRANK HOUSING COMPLETE		1	*			
047-1	143249-0	CRANK HOUSING COMPLETE	<	1				
A01	142257-8	TOOL BOX COMPLETE		1	*			
C10	454652-3	LATCH		1	*			
A01-1	143308-0	TOOL BOX COMPLETE WITH LABEL	O	1				
C10	454652-3	LATCH		1				
A02	821592-4	PLASTIC CARRYING CASE		1				
C10	162315-4	LATCH		2				
C20	452137-3	HANDLE		1				