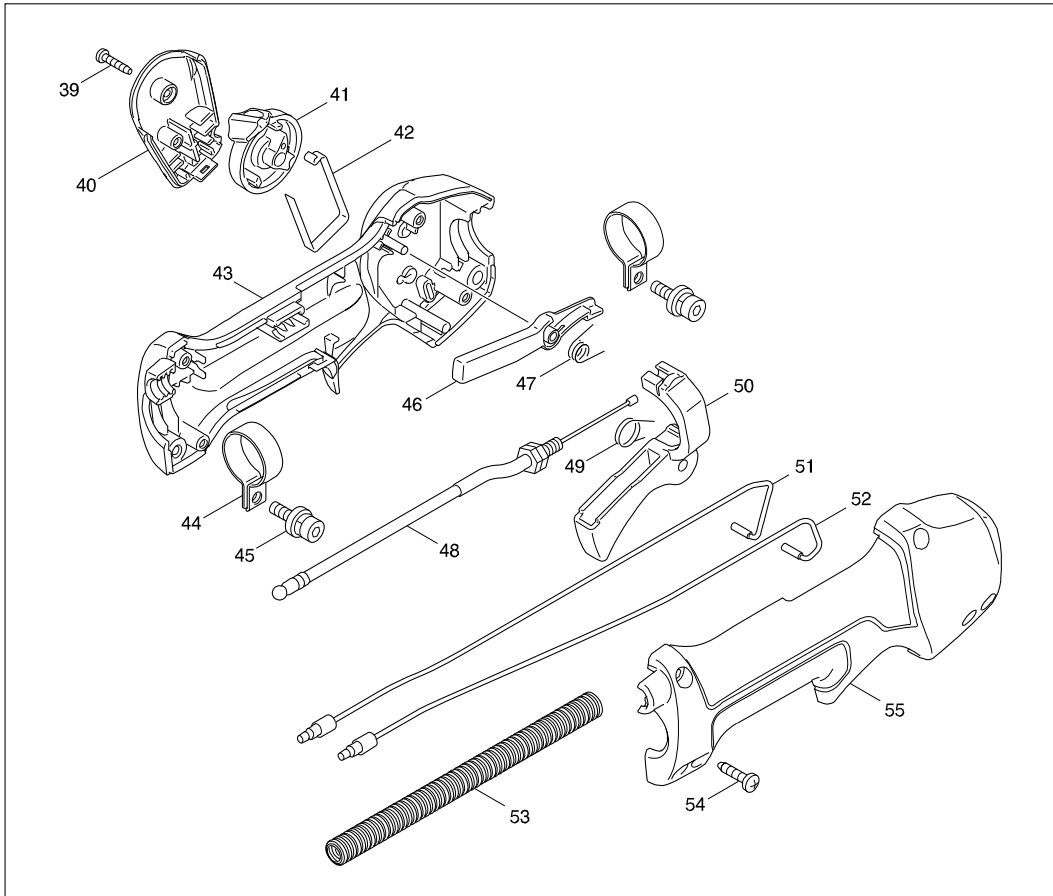


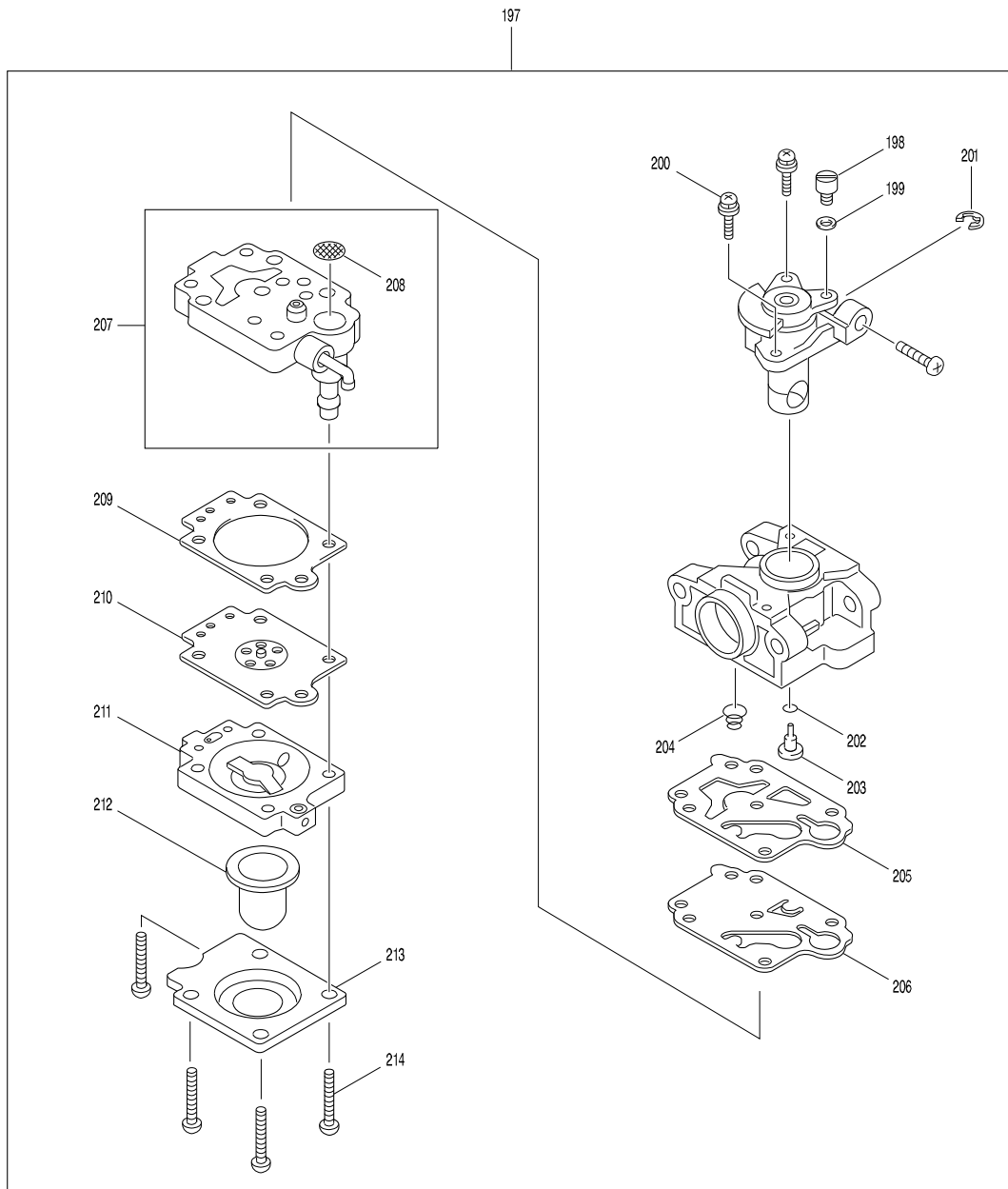
Modelo EY2650H TELESCOPIC PETROL POLE SAW

Modelo EY2650H TELESCOPIC PETROL POLE SAW

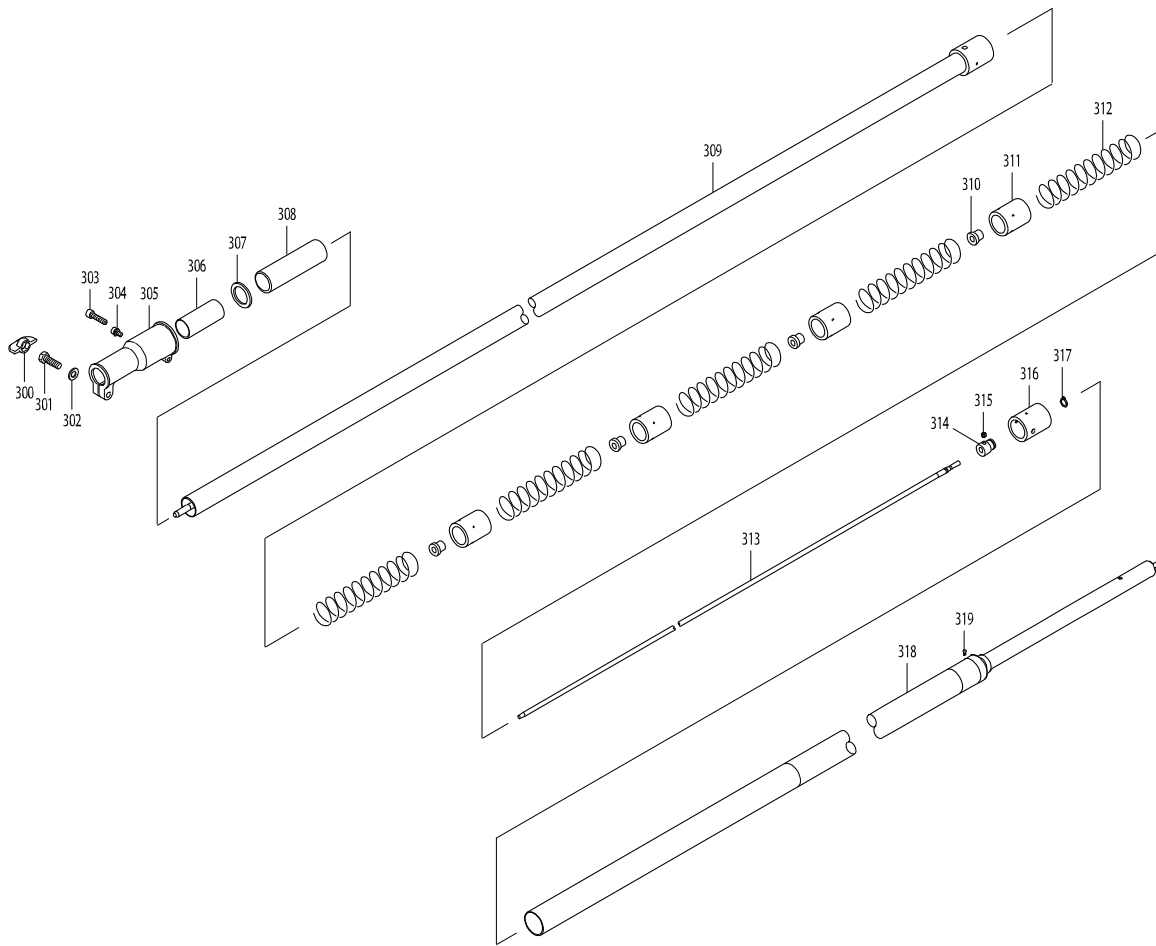


38

Modelo EY2650H TELESCOPIC PETROL POLE SAW



Modelo EY2650H TELESCOPIC PETROL POLE SAW



Pieza	Código	Descripción	Info	CTD.	N/O	Opc. 1	Opc. 2	OBS.
001	XTM0000001	GEAR CASE A		1	*			
001-1	XTM0000029	GEAR CASE A	O	1				
002	XTM0000002	BALL BEARING 608		1				
003	XTM0000003	GEAR SHAFT		1	*			
003-1	XTM0000024	GEAR SHAFT	<	1				
004	XTM0000004	BEVEL GEAR SET		1	*			
004-1	XTM0000028	BEVEL GEAR SET	X	1				
005	XTM0000005	WORM WHEEL		1				
007	XTM0000006	BALL BEARING 609		1				
008	XTM0000007	BALL BEARING 609Z		1				
009	961005-4	RETAINING RING S-9		1				
010	962103-7	RETAINING RING R-24		1				
011	XTM0000008	OIL PUMP		1	*			
011-1	XTM0000025	OIL PUMP	<	1				
012	XTM0000009	SEAL		1				
013	911111-5	PAN HEAD SCREW M4X10 WITH W		2				
014	XTM0000010	OIL PIPE ASS'Y		1				
016	922242-5	HEX. SOCKET HEAD BOLT M5X25		1				
017	922207-7	HEX. SOCKET HEAD BOLT M5X10		1				
018	XTM0000011	HB BOLT 6X8		1				
019	XTM0000012	GEAR CASE B		1	*			
019-1	XTM0000026	GEAR CASE B	<	1	*			
019-2	XTM0000027	GEAR CASE B	<	1				
020	XTM0000013	BALL BEARING 6001DDW		1				
021	XTM0000014	SPROCKET		1				
022	XTM0000015	SPEOCKET WASHER		1				
023	XTM0000016	H.S. BOTTON HEAD SCREW M6X15		1				
024	922352-8	HEX. SOCKET HEAD BOLT M6X30		1				
025	XTM0000017	ADJUSTER SCREW M4X25		1				
026	XTM0000018	ADJUSTER		1				
027	922212-4	HEX. SOCKET HEAD BOLT M5X12		4				
028	XTM0000019	OIL TANK ASS'Y		1				
030	XTM0000020	TANK CAP ASS'Y		1				
031	XTM0000021	H.S.H.BOLT M5X12SW		2				
032	XTM0000022	CHAIN COVER		1				
033	XTM0000023	FLANGE NUT M6		1				
034	142615-8	POLE SAW HEAD COMPLETE		1	*			
C10	803K89-1	INDICATION LABEL		1	*			
D10		INC. 1-5,7-14,16-28,30-33			*			
034-1	143197-3	POLE SAW HEAD COMPLETE	<	1				
C10	803K89-1	INDICATION LABEL		1				
D10		INC. 1-5,7-14,16-28,30-33						
037	819312-8	MAKITA LOGO LABEL		1	*			
037-1	808D12-9	MAKITA LOGO LABEL	<	1				
038	126488-7	CONTROL LEVER ASSEMBLY		1				
D10		INC. 39-55						
039	266130-9	TAPPING SCREW BIND PT 3X16		1				
040	451595-0	SWITCH COVER		1				

Pieza	Código	Descripción	Info	CTD.	N/O	Opc. 1	Opc. 2	OBS.
041	451594-2	SWITCH LEVER		1				
042	232251-9	LEAF SPRING		1				
043	188832-6	LEVER CASE SET		1				
D10		INC. 55						
044	346248-3	CLAMP 24		2				
045	922218-2	H.S.H.BOLT M5X14 WITH WR		2				
046	451593-4	LOCK LEVER		1				
047	233541-3	TORSION SPRING 7		1				
048	168571-4	CONTROL CABLE		1				
049	233540-5	TORSION SPRING 11		1				
050	455313-8	THROTTLE LEVER		1				
051	638714-7	LEAD UNIT		1				
052	638713-9	LEAD UNIT		1				
053	452071-7	CORRUGATE TUBE		1				
054	266326-2	TAPPING SCREW 4X18		4				
055	188832-6	LEVER CASE SET		1				
D10		INC. 43						
056	803K77-8	CAUTION LABEL		1				
057	814E64-6	SERIAL NO. LABEL		1				
058	911233-1	PAN HEAD SCREW M5X20		1				
059	168478-4	HANGER		1				
060	126202-1	CLEANER COVER ASSEMBLY		1	*			
D10		INC. 61			*			
060-1	123499-3	CLEANER COVER ASSEMBLY	S	1				
D10		INC. 61						
061	265791-2	THUMB SCREW M4		1				
062	443171-4	AIR CLEANER ELEMENT		1				
063	443169-1	AIR CLEANER ELEMENT		1				
064	266618-9	H.S.BUTTON HEAD BOLT M5X60		2				
065	126198-6	CLEANER PLATE ASSEMBLY		1	*			
D10		INC. 66-68,223,224,231-234			*			
065-1	123501-2	CLEANER PLATE ASSEMBLY	S	1				
D10		INC. 66-68,223,224,231-234						
066	162346-3	SEPARATOR PLATE		1				
067	213540-1	O RING 15		1				
068	424316-3	CHECK VALVE		2				
069	422099-9	PIPE		1				
070	325665-0	JOINT PIPE		1				
071	442153-3	CARBURETOR GASKET		1				
072	266787-6	H.S.H.BOLT M5X18 WITH WR		2				
073	451825-9	CLAMP		1				
074	451729-5	INSULATOR		1				
075	213547-7	O-RING 12		1				
076	422109-2	BREATHER PIPE		1				
077	345918-1	HOSE CLAMP		1				
078	318745-9	ROCKER COVER OUTER		1				
079	922222-1	HEX. SOCKET HEAD BOLT M5X16		4				
080	453860-3	ROCKER COVER INNER		1				

Pieza	Código	Descripción	Info	CTD.	N/O	Opc. 1	Opc. 2	OBS.
081	162304-9	ROCKER COVER GASKET		1				
082	424302-4	PLUG CAP		1				
083	324891-8	PLUG CAP SPRING		1				
084	168534-0	SPARK PLUG		1				
085	125554-7	ROCKER ARM ASSEMBLY		2				
086	256200-2	PIN 5		1				
087	256865-0	ROD 2.5		2				
088	325668-4	SPRING RETAINER		2				
089	451735-0	CLUTCH CASE		1				
090	922228-9	H.S.H.BOLT M5X18 WITH WR		3				
091	450569-8	SPACER		1				
092	961052-5	RETAINING RING S-12		1				
093	210111-5	BALL BEARING 6201LLU		1				
094	962151-6	RETAINING RING R-32		1				
095	165747-4	CLUTCH DRUM COMPLETE		1				
096	266864-4	SHOULDER HEX. BOLT M6X25		2				
097	267817-6	WASHER 8		2				
098	126135-0	CLUTCH ASSEMBLY		1				
D10		INC. 99.100						
099	168498-8	CLUTCH SHOE		2	*			
099-1	161332-1	CLUTCH SHOE	O	2				
100	231881-3	TENSION SPRING 7		1				
101	267812-6	WASHER 6		2				
102	264039-9	CONED DISK SPRING HEXNUT M8-13		1				
103	318569-3	FLYWHEEL		1				
104	444021-6	TUBE		1				
105	266602-4	HEX. SOCKET HEAD BOLT M4X20		2				
106	452049-0	SPACER		2				
107	168559-4	IGNITION COIL		1				
108	268238-5	PIN 5		1				
109	125552-1	CAM GEAR ASSEMBLY		1				
110	313169-4	CAM LIFTER		2				
112	268239-3	PIN 4		1				
113	162274-2	CAM GEAR COVER GASKET		1				
114	318443-5	CAM GEAR COVER		1				
115	922222-1	HEX. SOCKET HEAD BOLT M5X16		3				
116	135478-9	CYLINDER BLOCK ASSEMBLY		1				
D10		INC. 117,118,137						
117	922222-1	HEX. SOCKET HEAD BOLT M5X16		6				
118	424201-0	CHECK VALVE		2				
119	346331-6	MUFFLER GASKET		1				
120	168554-4	EXHAUST MUFFLER		1				
121	266440-4	HEX SOCKET HEAD BOLT M5X40		2				
122	168483-1	PULLEY		1				
123	451731-8	MUFFLER PLATE		1				
124	922218-2	H.S.H.BOLT M5X14 WITH WR		1				
125	638707-4	LEAD UNIT		1				
126	638708-2	LEAD UNIT		1				

Pieza	Código	Descripción	Info	CTD.	N/O	Opc. 1	Opc. 2	OBS.
128	922218-2	H.S.H.BOLT M5X14 WITH WR		1				
129	453266-5	CYLINDER COVER		1				
130	922218-2	H.S.H.BOLT M5X14 WITH WR		1				
131	424082-2	BUFFER RUBBER		1				
132	922211-6	HEX. SOCKET HEAD BOLT M5X12		1				
133	922226-3	HEX. SOCKET HEAD BOLT M5X18		2				
134	318249-1	PIPE HOLDER		1				
135	318250-6	PIPE HOLDER		1				
136	424083-0	BUFFER RUBBER		1				
137	424200-2	SPACER		2				
138	234108-0	COMPRESSION SPRING 9		2				
140	325669-2	EXHAUST VALVE		1	*			
140-1	326366-3	EXHAUST VALVE	O	1				
143	325670-7	INTAKE VALVE		1	*			
143-1	326367-1	INTAKE VALVE	O	1				
144	195145-8	PISTON RING SET		1				
147	318441-9	PISTON		1				
148	254040-2	WOODRUFF KEY 3		1				
149	126359-8	CRANK SHAFT ASSEMBLY		1	*			
D10		INC. 150-152			*			
149-1	123774-7	CRANK SHAFT ASSEMBLY	<	1				
D10		INC. 150-152						
150	213148-1	OIL SEAL 10		1	*			
150-1	213769-9	OIL SEAL 10	<	1				
151	267400-9	FLAT WASHER 23		1				
152	213147-3	OIL SEAL 12		1	*			
152-1	213089-1	OIL SEAL 12	<	1				
153	257781-9	PISTON PIN		1				
154	233976-8	CLIP		2				
155	162345-5	OIL CASE GASKET		1				
156	346083-9	LEAD VALVE		1				
157	318910-0	RETAINER PLATE		1				
158	922112-8	HEX. SOCKET HEAD BOLT M4X10		1				
159	318588-9	OIL CASE		1				
160	922222-1	HEX. SOCKET HEAD BOLT M5X16		4				
161	424344-8	DAMPER		1				
162	346305-7	GASKET		1				
163	266611-3	HEX BOLT M6X8		1				
164	213548-5	O-RING 20		1				
165	325665-0	JOINT PIPE		1				
166	282020-8	HOSE CLAMP		1	*			
166-1	282020-8	HOSE CLAMP	O	1				
167	325666-8	OIL WEIGHT		1	*			
167-1	325666-8	OIL WEIGHT	O	1				
168	424301-6	OIL TUBE		1	*			
168-1	125805-8	OIL TUBE ASSEMBLY	S	1				
C10	424301-6	OIL TUBE		1				
D10		INC. 166,167						

Pieza	Código	Descripción	Info	CTD.	N/O	Opc. 1	Opc. 2	OBS.
169	452047-4	OIL CAP		1				
170	424343-0	GASKET		1				
171	452048-2	OIL PIPE		1				
172	922218-2	H.S.H.BOLT M5X14 WITH WR		2				
173	125728-0	FUEL TANK CAP ASSEMBLY		1				
175	168755-4	TUBE COMPLETE		1				
176	282020-8	HOSE CLAMP		1				
177	163518-3	GASOLINE FILTER		1				
178	451736-8	FUEL TANK		1				
179	424080-6	BUFFER RUBBER		2				
180	424081-4	BUFFER RUBBER		1				
181	451737-6	TANK GUARD		1				
182	922218-2	H.S.H.BOLT M5X14 WITH WR		4				
183	195308-6	RECOIL STARTER SET		1				
D10		INC. 122,184,185,187-193						
184	424319-7	STARTER KNOB		1				
185	424359-5	DAMPER		1				
187	266585-8	TAPPING SCREW 5X12		1				
188	325923-4	SWING ARM		1				
189	451938-6	COLLAR		1				
190	451937-8	REEL		1				
191	232258-5	SPIRAL SPRING		1				
192	444023-2	STARTER ROPE		1				
193	451733-4	STARTER CASE		1				
194	922223-9	H.S.H.BOLT M5X16 WITH WR		4				
196	816565-0	MAKITA LOGO LABEL		1				
197	168762-7	CARBURETOR		1				
D10		INC. 198-207,209-214						
198	325922-6	SWIVEL		1				
199	413140-9	WASHER		1				
200	266581-6	PAN HEAD SCREW M3X8 WITH W		2	*			
200-1	WJ00096364	SCREW M3X8 WITH WASHER	O	2				
201	257964-1	STOP RING E-3		1				
202	213538-8	O RING 2		1				
203	325985-2	JET		1				
204	234183-6	CONICAL COMPRESSION SPRING 5-9		1				
205	442155-9	PUMP GASKET		1				
206	168575-6	PUMP DIAPHRAGM		1	*			
206-1	WJ00009599	PUMP DIAPHRAGM	O	1				
207	141737-1	PUMP BODY		1				
D10		INC. 208						
208	352021-1	INLET SCREEN		1				
209	442154-1	METERING DIAPHRAGM GASKET		1				
210	168620-7	METERING DIAPHRAGM		1				
211	140438-8	AIR PURGE BODY		1				
212	424314-7	PRIMER PUMP		1				
213	346270-0	PRIMER PUMP COVER		1				
214	266582-4	TAPPING SCREW 3X24		4				

Pieza	Código	Descripción	Info	CTD.	N/O	Opc. 1	Opc. 2	OBS.
215	810455-9	CAUTION PLATE		1				
216	800F73-7	INDICATION LABEL		1				
217	941151-9	FLAT WASHER 6		1				
218	816567-6	SERIAL NO. LABEL		1				
220	803K90-6	EY2650H MODEL NO. LABEL		1				
222	819432-8	CAUTION TAG		1				
223	266427-6	TAPPING SCREW 4X12		1				
224	452219-1	CHOKE PLATE		1				
231	452220-6	CHOKE LEVER		1				
232	266007-8	TAPPING SCREW BIND PT 3X10		1				
233	352020-3	SEPARATOR MESH		1				
234	453865-3	SEPARATOR CASE		1				
235	453862-9	OIL CASE PLATE		1				
236	135599-7	SHORT BLOCK ASSY 25.4CC		1	*			
D10		INC. 85-88,108-110,112-118,			*			
D20		INC. 137,138,140,143,144,147,			*			
D30		INC. 149-154			*			
236-1	135668-4	SHORT BLOCK ASSY 25.4CC	O	1				
D10		INC. 85-88,108-110,112-118,						
D20		INC. 137,138,140,143,144,147,						
D30		INC. 149-154						
300	TF6116068B	KNOB		1				
301	TF119F0840	HEX.BOLT		1				
302	TF411M0800	FLAT WASHER		1				
303	TF120S0625	HEX.SOCKET HEAD BOLT (M6X25)		1				
304	TF120S0510	HEX.SOCKET HEAD BOLT (M5X10)		1				
305	TF2616001A	SLIDE HOLDER		1				
306	TF6126008A	SLEEVE		1				
307	TF3651008A	SLIDE HOLDER WASHER		1				
308	TF6362070A	CUSHION TUBE		1				
309	TF3312328A	MAIN PIPE ASSY		1	*			
309-1	142603-5	TELESCOPIC PIPE COMPLETE	<	1				
C10	TF3312328A	MAIN PIPE ASSY		1				
D10		INC. 56,300-319						
310	TF6126009A	DRIVE BUSH		4				
311	TF6126010A	BUSH HOLDER		4				
312	TF5313012A	SPRING		5				
313	TF4117027A	DRIVE SHAFT		1				
314	TF4613005B	SET COLLAR		1				
315	TF290Q0506	HEX.SOCKET HEAD SET SCREW		1				
316	TF6126010A	BUSH HOLDER		1				
317	TF480J1200	SNAP RING (S-12)		1				
318	TF3318145A	GUIDE PIPE ASSY		1	*			
318-1	TF3318145B	GUIDE PIPE ASSY	<	1				
319	TF244F0408	SCREW		1				
320	286284-6	CAP		1				
A01	125516-5	BAND ASSEMBLY		1				
A02	195246-2	SAFETY GOGGLE		1				

