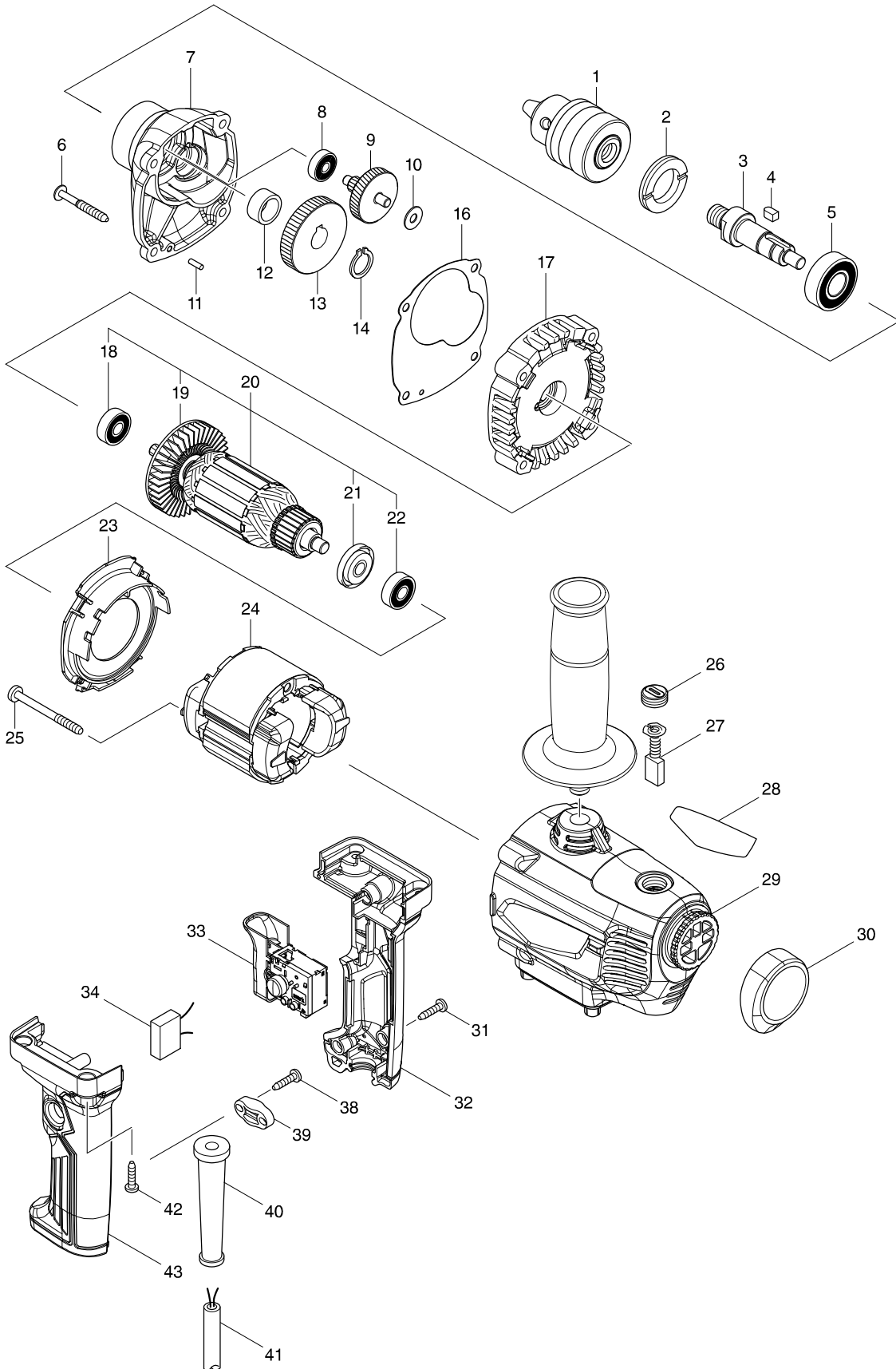


Modelo M6200 13MM(1/2")DRILL



Modelo M6200 13MM(1/2")DRILL

Pieza	Código	Descripción	Info	CTD.	N/O	Opc. 1	Opc. 2	OBS.
001	766023-5	DRILL CHUCK S13		1				
002	285848-3	BEARING RETAINER 23-36		1				
003	326600-1	SPINDLE		1				
004	254211-1	KEY 5		1				
005	211487-3	BALL BEARING 6202DDW		1				
006	266211-9	TAPPING SCREW 5X40		4				
007	142841-9	GEAR HOUSING COMPLETE		1				
C10	263002-9	RUBBER PIN 4		1				
008	211499-6	BALL BEARING 626ZZ		1				
009	226028-2	GEAR COMPLETE 7-41		1				
010	253804-1	FLAT WASHER 6		1				
011	256180-2	PIN 3		1				
012	257018-4	RING 15		1				
013	221261-1	SPUR GEAR 47		1				
014	961054-1	RETAINING RING S-14		1				
016	442207-6	GASKET		1				
017	142840-1	GEAR HOUSING COVER COMPLETE		1				
C10	263002-9	RUBBER PIN 4		1				
018	210029-0	BALL BEARING 608ZZ		1				
019	241850-6	FAN 60		1				
020	513911-5	ARMATURE ASS'Y 115V		1				
D10		INC. 18,19,21,22						
021	681644-1	INSULATION WASHER		1				
022	210029-0	BALL BEARING 608ZZ		1				
023	455343-9	BAFFLE PLATE		1				
024	594651-4	FIELD ASS'Y 115V		1				
C10	654020-2	RING TERMINAL		2				
C20	654501-6	CONNECTOR P-1.25		2				
025	266418-7	TAPPING SCREW 5X55		2				
026	644500-6	HOLDER CAP 7X11		2				
027	194996-6	CARBON BRUSH CB-303		1				
028	850V95-3	M6200 NAME PLATE		1				
029	143148-6	MOTOR HOUSING COMPLTE		1				
C10	644501-4	BRUSH HOLDER 5X11		2				
030	424654-3	CAP		1				
031	266326-2	TAPPING SCREW 4X18		3				
032	187946-8	SWITCH HANDLE SET		1				
D10		INC. 43						
033	650715-5	SWITCH TN04-10/1BE-5		1				
038	266326-2	TAPPING SCREW 4X18		2				
039	687123-7	STRAIN RELIEF		1				
040	682559-5	CORD GUARD 8		1				
041	664881-2	POWER SUPPLY CORD #18-2-2.0		1				
042	266326-2	TAPPING SCREW 4X18		4				
043	187946-8	SWITCH HANDLE SET		1				
D10		INC. 32						
A01	142088-5	GRIP 36 COMPLETE		1				
A02	418163-2	KEY HOLDER 10		1				

