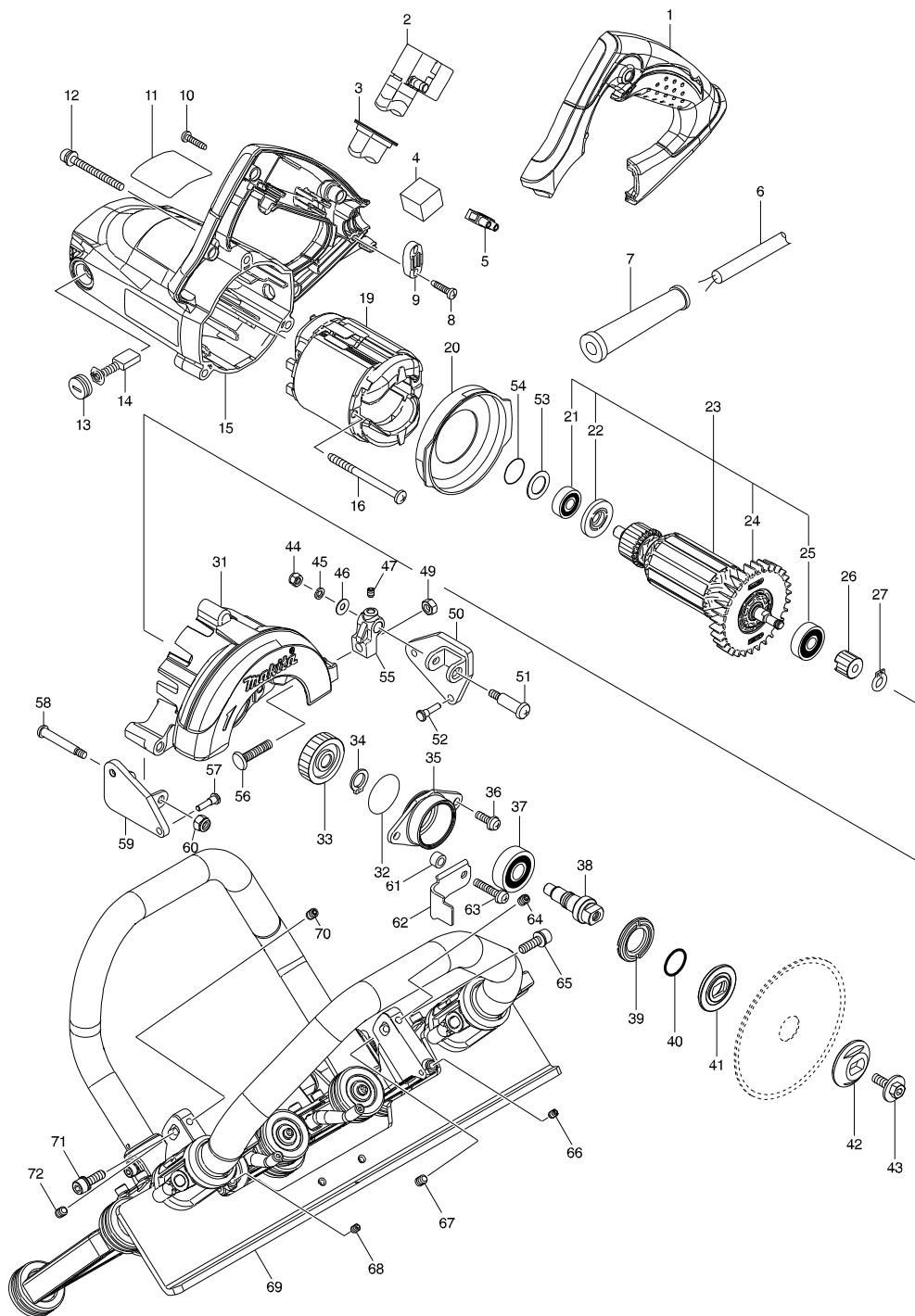
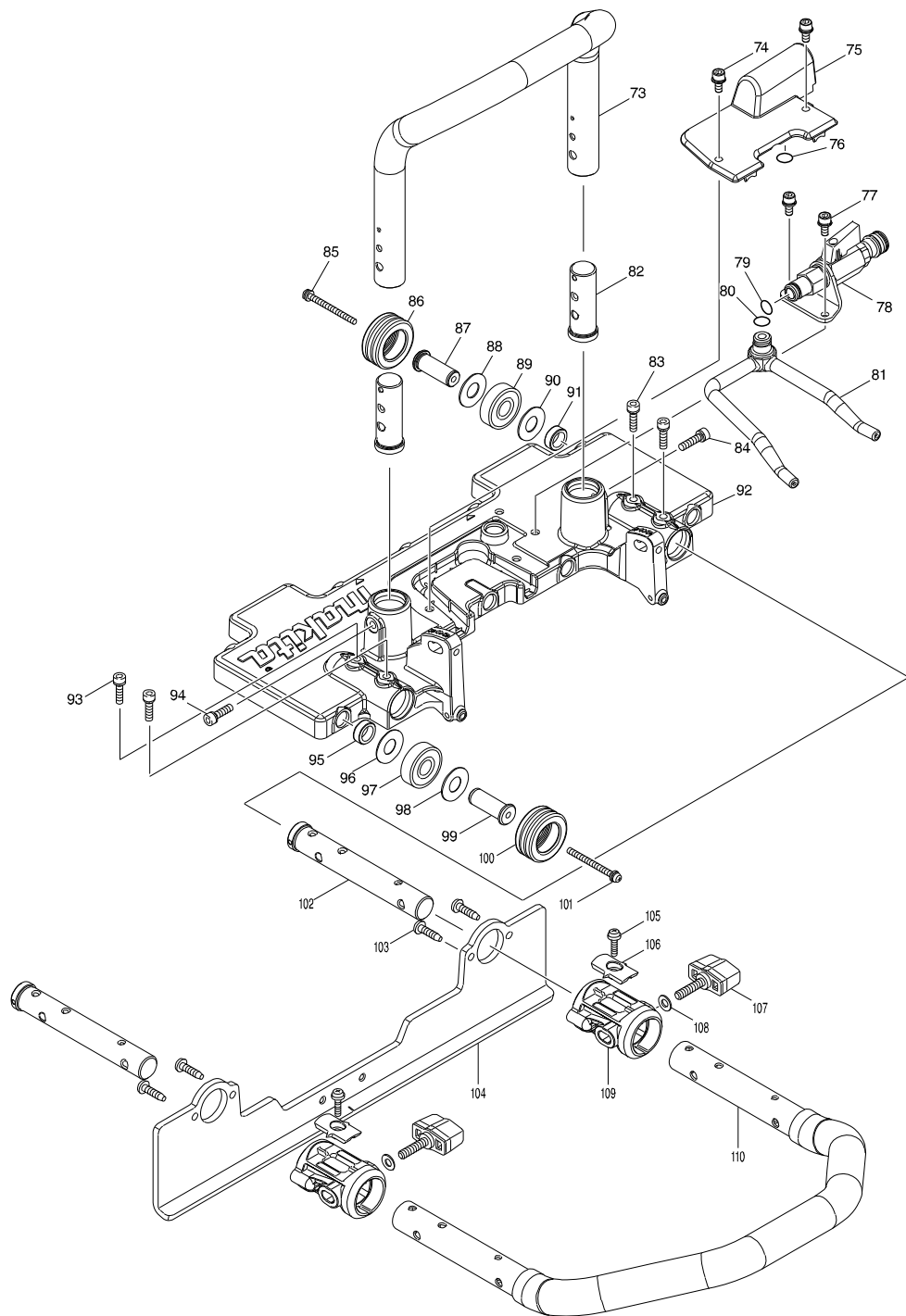


Modelo 4100NH2R 110MM CUTTER



Modelo 4100NH2R 110MM CUTTER



Modelo 4100NH2R 110MM CUTTER

Página 1 / 3

Pieza	Código	Descripción	Info	CTD.	N/O	Opc. 1	Opc. 2	OBS.
001	450838-7	HANDLE COVER		1				
002	651281-5	SWITCH SGEL115CDY-5		1				
003	421812-2	DUST COVER		1				
006	664276-9	POWER SUPPLY CORD AWG#16-2-5.0		1				
007	682505-8	CORD GUARD 10-90		1				
008	265995-6	TAPPING SCREW 4X18		2	*			
008-1	266326-2	TAPPING SCREW 4X18	O	2				
009	687123-7	STRAIN RELIEF		1				
010	265995-6	TAPPING SCREW 4X18		4	*			
010-1	266326-2	TAPPING SCREW 4X18	O	4				
011	851M50-4	4100NH2R NAME PLATE		1				
012	911263-2	PAN HEAD SCREW M5X40		3				
013	643750-0	BRUSH HOLDER CAP 7-11		2	*			
013-1	644500-6	HOLDER CAP 7X11	O	2				
014	194996-6	CARBON BRUSH SET CB-303		1				
015	141726-6	MOTOR HOUSING COMPLETE		1				
016	266038-7	TAPPING SCREW 5X70		2	*			
016-1	266389-8	TAPPING SCREW 5X70	O	2				
019	594581-9	FIELD ASSY 115V		1				
C10	654020-2	RING TERMINAL		2				
C20	654501-6	CONNECTOR P-1.25		2				
020	450839-5	BUFFLE PLATE		1				
021	211395-8	BALL BEARING 608LLU		1				
022	681644-1	INSULATION WASHER		1				
023	510220-3	ARMATURE ASS'Y 115V		1				
D10		INC. 21,22,24,25						
024	240109-8	FAN 70		1				
025	211092-6	BALL BEARING 629DDW		1				
026	226695-3	HELICAL GEAR 17		1				
027	961002-0	RETAINING RING S-6		1				
031	142541-1	BLADE CASE COMPLETE		1				
C10	213445-5	O-RING 26		1				
032	213444-7	O RING 30		1				
033	226696-1	HELICAL GEAR 44		1				
034	961052-5	RETAINING RING S-12		1				
035	319044-2	BEARING BOX		1				
036	911223-4	PAN HEAD SCREW M5X16		1				
037	211129-9	BALL BEARING 6201DDW		1				
038	325603-2	SPINDLE		1				
039	285858-0	BEARING RETAINER 19-33		1				
040	213279-6	O RING 18		1				
041	224423-0	INNER FLANGE 36		1				
042	224424-8	OUTER FLANGE 36		1				
043	266510-9	HEX. SOCKET HEX. BOLT M6X18		1				
044	252103-8	HEX. LOCK NUT M5-8		1				
045	942101-7	SPRING WASHER 5		1				
046	941101-4	FLAT WASHER 5		1				
047	266264-8	H.S.SET SCREW(FLAT POINT)M5X6		1				

Modelo 4100NH2R 110MM CUTTER

Página 2 / 3

Pieza	Código	Descripción	Info	CTD.	N/O	Opc. 1	Opc. 2	OBS.
049	252014-7	HEX. LOCK NUT M6-10		1				
050	161405-0	REAR ANGULAR GUIDE		1				
051	266998-3	+ PAN HEAD SCREW M5		1				
052	268342-0	SHOULDER PIN 4-5		1				
053	253192-6	FLAT WASHER 14		1				
054	213262-3	O RING 18		1				
055	319383-0	ADJUSTER		1				
056	251920-3	CAP SQUARE NECK BOLT M6X30		1				
057	268342-0	SHOULDER PIN 4-5		1				
058	266515-9	+ PAN HEAD SCREW M5		1				
059	161404-2	FRONT ANGULAR GUIDE		1				
060	252103-8	HEX. LOCK NUT M5-8		1				
061	257140-7	RING 6		1				
062	346984-1	COVER PLATE		1				
063	911243-8	PAN HEAD SCREW M5X25		1				
064	251483-9	H.S.SET SCREW M6X8		1				
065	922333-2	HEX.SOCKET HD BOLT M6X20		1				
066	266264-8	H.S.SET SCREW(FLAT POINT)M5X6		1				
067	266225-8	H.S.SET SCREW(FLAT POINT)M6X8		1				
068	266264-8	H.S.SET SCREW(FLAT POINT)M5X6		1				
069	143600-4	BASE ASSEMBLY		1				
D10		INC. 73-110						
070	251483-9	H.S.SET SCREW M6X8		1				
071	922333-2	HEX.SOCKET HD BOLT M6X20		1				
072	266225-8	H.S.SET SCREW(FLAT POINT)M6X8		1				
073	326628-9	HANDLE R		1				
074	922213-2	H.S.H.BOLT M5X12 WITH WR		2				
075	456332-7	COVER		1				
076	213070-2	O RING 10		1				
077	922213-2	H.S.H.BOLT M5X12 WITH WR		2				
078	143469-6	WATER SET PART		1				
079	213070-2	O RING 10		1				
080	213070-2	O RING 10		1				
081	456331-9	NOZZLE		1				
082	326633-6	HANDLE R BRACKET		2				
083	922231-0	HEX. SOCKET HEAD BOLT M5X20		2				
084	922231-0	HEX. SOCKET HEAD BOLT M5X20		1				
085	911173-3	PAN HEAD SCREW M4X45		5				
086	424801-6	BEARING COVER		5				
087	326632-8	COLLAR HD. PIN 12		5				
088	267496-0	FLAT WASHER 12		5				
089	210118-1	BALL BEARING 6201DDW		5				
090	267496-0	FLAT WASHER 12		5				
091	257387-3	RING 12		5				
092	319381-4	MAIN BASE		1				
093	922231-0	HEX. SOCKET HEAD BOLT M5X20		2				
094	922231-0	HEX. SOCKET HEAD BOLT M5X20		1				
095	257387-3	RING 12		5				

