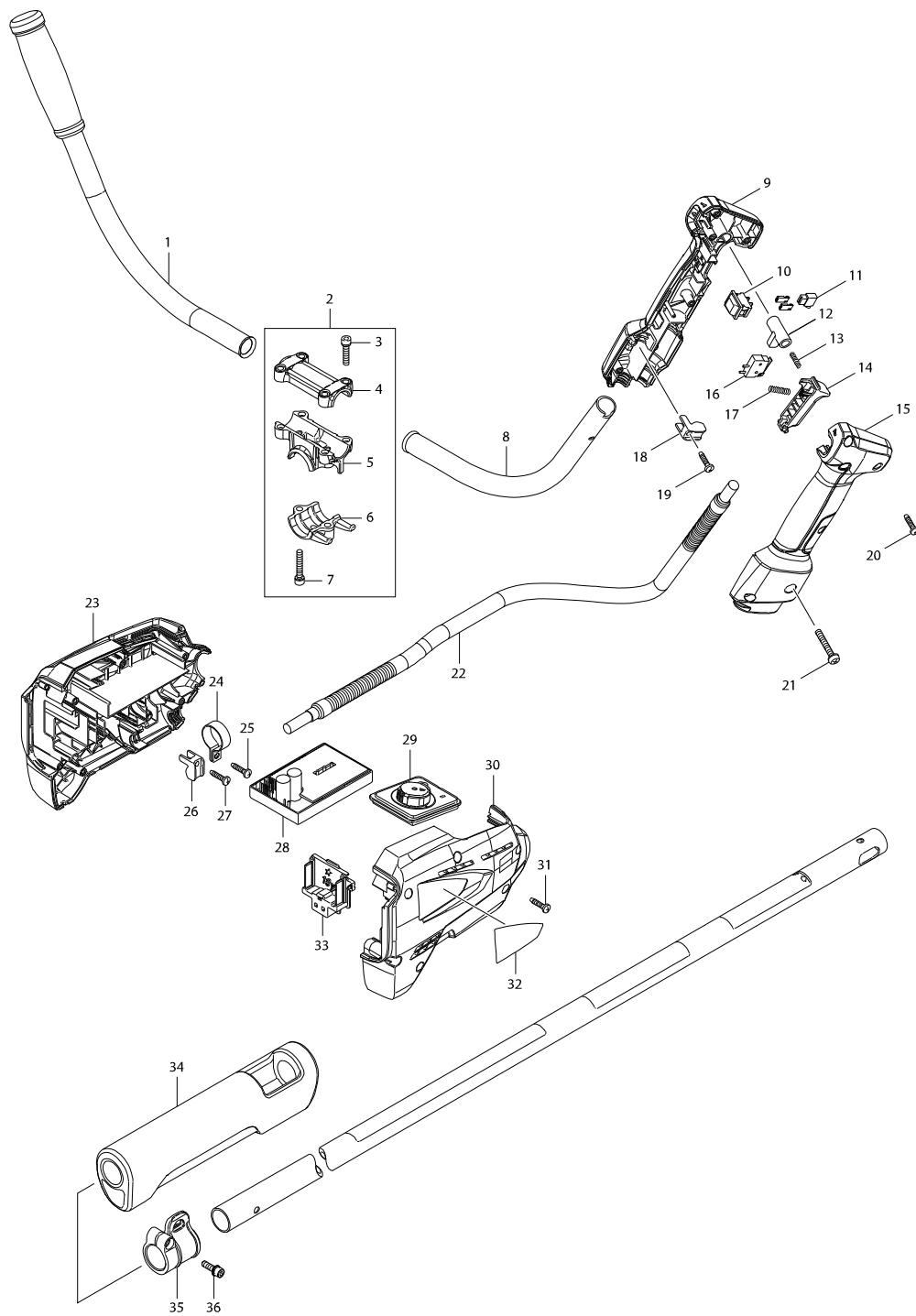
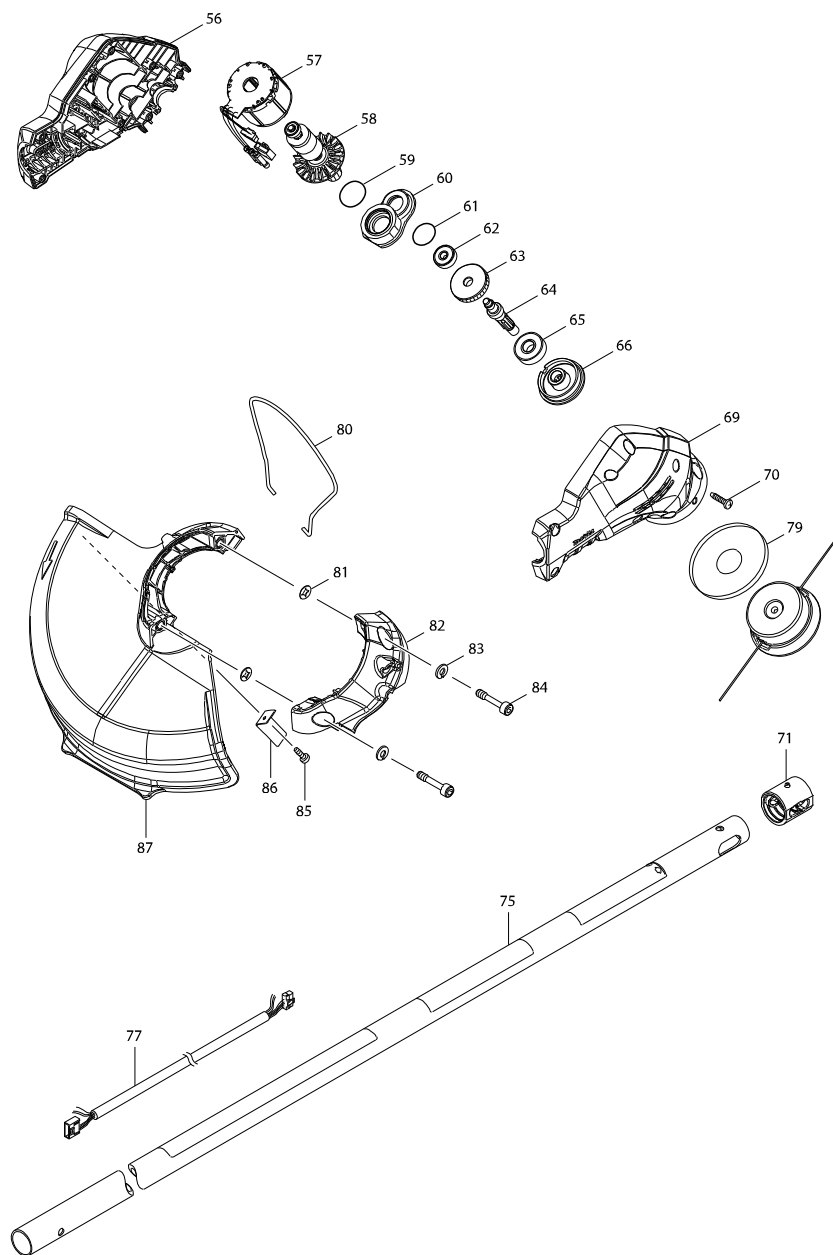


Modelo DUR182U CORDLESS GRASS TRIMMER



Modelo DUR182U CORDLESS GRASS TRIMMER



Modelo DUR182U CORDLESS GRASS TRIMMER

Pieza	Código	Descripción	Info	CTD.	N/O	Opc. 1	Opc. 2	OBS.
001	158659-8	HANDLE COMPLETE		1				
C10	273526-7	MANGO P/RBC411		1				
002	135395-3	HANDLE HOLDER ASS'Y		1				
D10		INC. 3-7						
003	922241-7	TORNILLO HEX. M5X25 P/2106		4				
004	318272-6	HANDLE HOLDER 1		1				
005	318273-4	HANDLE HOLDER 2		1				
006	318274-2	HANDLE HOLDER 3		1				
007	922251-4	HEX. SOCKET HEAD BOLT M5X30		2				
008	332068-1	HANDLE 19		1				
009	187587-0	MAIN GRIP SET		1				
D10		INC. 15						
010	651533-4	INTERRUPTOR DE DEL ENCENDIDO		1				
011	686015-7	MANGO RECEPTOR P/6820V, 6302H		1				
012	454298-5	LOCK OFF BUTTON		1				
013	233114-2	COMPRESSION SPRING 4		1				
014	454295-1	SWITCH LEVER		1				
015	187587-0	MAIN GRIP SET		1				
D10		INC. 9						
016	650704-0	SWITCH D2SW-P01L1-3M		1				
017	234003-4	COMPRESSION SPRING 5		1				
018	687261-5	ANCLAJE DEL CABLE P/BC300LD		1				
019	265995-6	TORNILLO GUIA 4X18 PHR2400,5740N		1				
020	265995-6	TORNILLO GUIA 4X18 PHR2400,5740N		5				
021	911256-9	TORNILLO M5X35 P/JR3000V ONT JGC		1				
022	699060-3	POWER SUPPLY CORD UNIT		1				
023	187665-6	HOUSING SET		1				
C10	263005-3	PERNO DE GOMA P/VARIOS ONT)		2				
D10		INC. 30						
024	346248-3	ABRAZADERA 24 P/EBH252L		1				
025	265995-6	TORNILLO GUIA 4X18 PHR2400,5740N		1				
026	687261-5	ANCLAJE DEL CABLE P/BC300LD		1				
027	265995-6	TORNILLO GUIA 4X18 PHR2400,5740N		1				
028	620196-7	CONTROLLER A		1				
029	142134-4	SUB CONTROLLER COMPLETE		1				
030	187665-6	HOUSING SET		1				
C10	263005-3	PERNO DE GOMA P/VARIOS ONT)		2				
D10		INC. 23						
031	265995-6	TORNILLO GUIA 4X18 PHR2400,5740N		6				
032	815M97-2	DUR182U NAME PLATE		1				
033	644808-8	TERMINAL		1				
034	424463-0	CUSHION		1				
035	168478-4	ABRAZADERA DEL TUBO P/BC300LD		1				
036	922228-9	TORNILLO M5x18 P/EBH252L		1				
056	187585-4	MOTOR HOUSING SET		1				
D10		INC. 69						
057	629985-7	STATOR		1				
058	619324-9	ROTOR		1				

