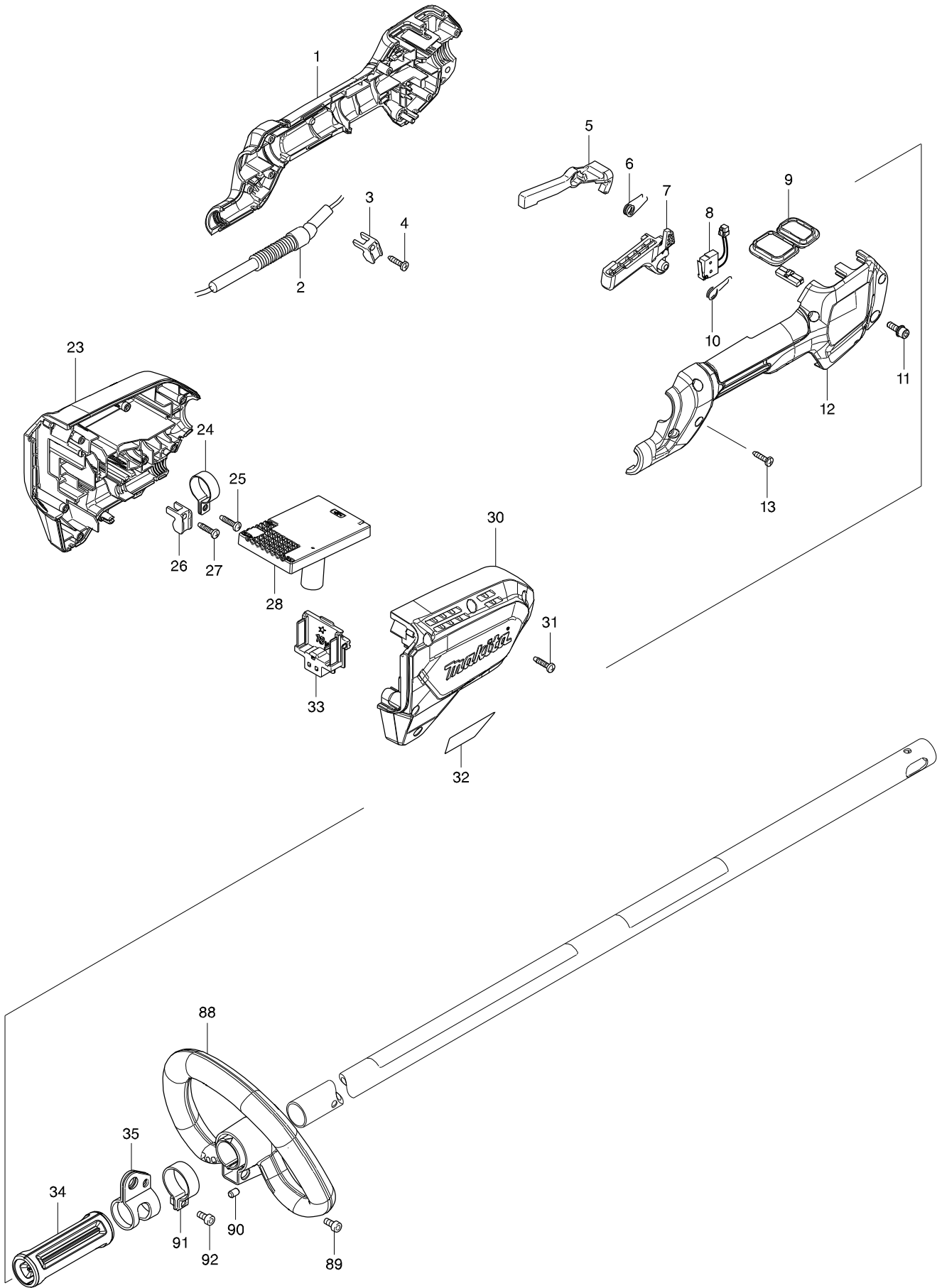


Modelo DUR187L CORDLESS GRASS TRIMMER



Artículo	Código	Descripción	Interc	Cantidad	N/O	Opción 1	Opción 2	Notas
001	183A19-1	GRIP SET		1				
C10	931202-6	HEX. NUT M5		1				
D10		INC. 12						
002	699085-7	POWER SUPPLY CORD UNIT		1				
003	687260-7	STRAIN RELIEF		1				
004	266326-2	TAPPING SCREW 4X18		1				
005	455629-1	LOCK OFF LEVER		1				
006	233621-5	TORSION SPRING 9		1				
007	455625-9	SWITCH LEVER		1				
008	632E26-0	SWITCH UNIT		1				
009	144371-6	SUB CONTROLLER COMPLETE		1				
010	233612-6	TORSION SPRING 10		1				
011	922228-9	H.S.H.BOLT M5X18 WITH WR		1				
012	183A19-1	GRIP SET		1				
C10	931202-6	HEX. NUT M5		1				
D10		INC. 1						
013	266326-2	TAPPING SCREW 4X18		6				
023	183F35-3	HOUSING SET		1				
C10	263005-3	RUBBER PIN 6		2				
D10		INC. 30						
024	346248-3	CLAMP 24		1				
025	266326-2	TAPPING SCREW 4X18		1				
026	687260-7	STRAIN RELIEF		1				
027	266326-2	TAPPING SCREW 4X18		1				
028	620642-0	CONTROLLER		1				
030	183F35-3	HOUSING SET		1				
C10	263005-3	RUBBER PIN 6		2				
D10		INC. 23						
031	266326-2	TAPPING SCREW 4X18		6				
032	852X86-2	DUR187L NAME PLATE		1				
033	644809-6	TERMINAL		1				
034	451601-1	SPACER 24		1				
035	347116-3	HANGER		1				
056	183F18-3	MOTOR HOUSING SET		1				
D10		INC. 69						
057	629248-1	STATOR		1				
058	519429-4	ROTOR ASS'Y		1				
D10		INC. 59,60						
059	210049-4	BALL BEARING 609ZZ		1				
060	211157-4	BALL BEARING 695ZZ		1				
061	346857-8	GUARD		1				
062	211157-4	BALL BEARING 695ZZ		1				
063	221492-2	HELICAL GEAR 26		1				
064	326924-5	CUTTER SHAFT		1				
065	210059-1	BALL BEARING 6000DDW		1				
066	144512-4	RECEIVE WASHER COMPLETE		1				
D10		INC. 67						
067	213055-8	O RING 10		1				

