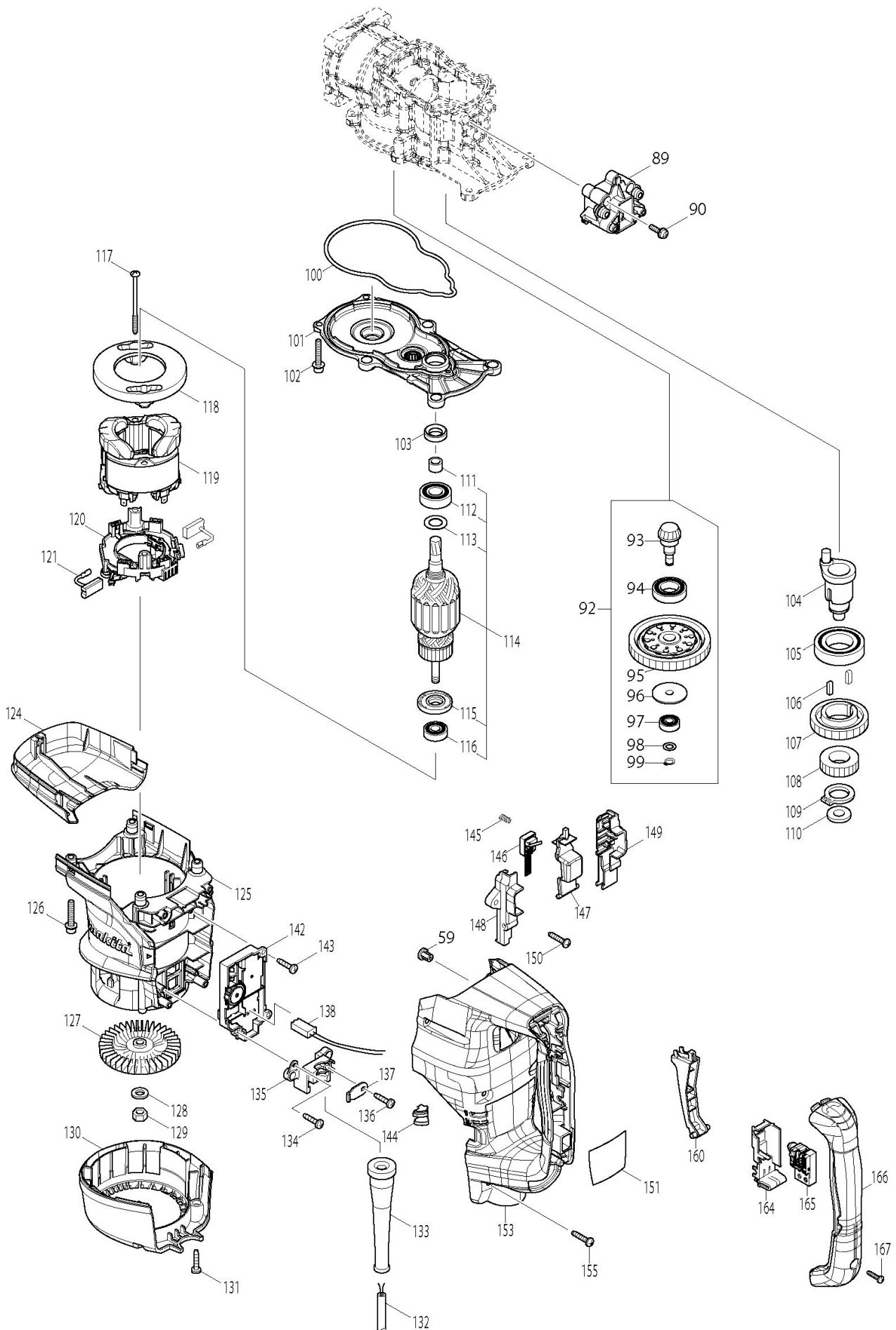


Posición	Código de la pieza	Name
1	142412-2	PROTECTOR CAÑON HR5202C
2	286292-7	TOOL HOLDER CAP
3	233948-3	ANILLO DE CIERRE 25 HR5211C
4	257367-9	ANILLO 28 HR5212C
5	262172-1	ANILLO DE CIERRE 29 HR5202C
6	454767-6	PROTECTOR PORTAHERRAM. HR5202C
7	324752-2	TAPA DE CIERRE HR5201C
8	454768-4	CARCASA PORTAHERRAM. HR5202C
9	310178-4	CIERRE DE HERRAMIENTA HR5201C
10	346751-4	GUIA MUELLE HR5202C
11	234317-1	MUELLE 49 HR5202C
12	346751-4	GUIA MUELLE HR5202C
14	922456-6	TORNILLO HEXAGONAL M8X35* ***
15	142408-3	CAÑON COMPLETO HR5202C
16	454769-2	CASQUILLO BLOQUEO HR5202C
17	259057-0	ANILLO CIERRE 74 HR5202C
18	213766-5	JUNTA TORICA 78 HR5211C
19	213789-3	JUNTA TORICA 38 HR5202C
21	326361-3	PORTAHERRAMIENTAS HR5202C
22	268308-0	BULON 9 HR5212C
23	231989-3	ANILLO DE CIERRE 46
24	257353-0	ANILLO 49 HR5212C
25	213779-6	JUNTA TORICA 45 HR5202C
26	267477-4	ARANDELA 60 HR5212C
27	262171-3	ANILLO DE CIERRE 60 HR5202C
28	267477-4	ARANDELA 60 HR5212C
29	326362-1	PORTAHERRAMIENTAS B HR5202C
30	213783-5	JUNTA TORICA 48 HR5202C
31	454761-8	CASQUILLO HR5202C
32	234318-9	MUELLE 45 HR5202C
33	213811-6	JUNTA TORICA 26,5 HR5202C
34	213780-1	SEGMENTO 32,5 HR5202C
35	213776-2	JUNTA 26 HR5202C
36	326374-4	IMPACTADOR HR5212C
37	257354-8	ANILLO 23 HR5212C
38	262173-9	JUNTA GOMA 24 HR5202C
39	267856-6	ARANDELA 23 HR5212C
40	257994-2	ANILLO RETENCION 44 HR5202C
41	257355-6	ANILLO 44 HR5212C
42	267478-2	ARANDELA 44 HR5212C
43	234319-7	MUELLE 46 HR5202C
44	267478-2	ARANDELA 44 HR5212C
45	326377-8	PERCUTOR HR5212C
46	213781-9	JUNTA TORICA 33 HR5202C
47	332093-2	CILINDRO 40 HR5202C
48	213460-9	JUNTA TORICA 35
49	213782-7	JUNTA TORICA 30 HR5202C
50	257820-5	CASQUILLO 9 HR5202C

51	319097-1	PISTON HR5212C
52	213460-9	JUNTA TORICA 35
53	454765-0	BIELA HR5202C
54	256548-2	FLAT FILLISTER HEAD PIN 6
55	346749-1	PLACA DE UNION HR5202C
56	313272-1	CASQUILLO GUIA HR5202C
57	454779-9	ANILLO GUIA HR5202C
58	227625-7	CORONA 33 HR5212C
67	265995-6	TORNILLO RP 4X18 BGA452
68	454326-6	CHANGE LEVER
69	319082-4	TAPA CIGUEÑAL HR5212C
70	454770-7	PLACA CONTROL HR5202C
71	454771-5	PLACA CAMBIO HR5202C
72	234284-0	COMPRESSION SPRING 4
73	454345-2	CRANK LEVER
74	213262-3	JUNTA TORICA 18
75	424607-2	TAPON FILTRO HR5202C
76	443129-3	FILTRO HR2800
77	911128-8	TORNILLO M4X16*
78	454764-2	TAPON CIGUEÑAL HR5202C
79	424608-0	JUNTA TAPON CIGUEÑAL HR5202C
80	232280-2	LEAF SPRING
81	454766-8	PALANCA UNION HR5202C
82	911511-9	TORNILLO M4X10 HR4011C
83	454778-1	PLACA GUIA HR5202C
84	233611-8	MUELLE 7 HR5202C
85	911128-8	TORNILLO M4X16*
86	346748-3	RAIL GUIA HR5202C
87	142407-5	CARCASA CIGUEÑAL HR5202C
88	922359-4	TORNILLO 6X35 HR5202C
168	257994-2	ANILLO RETENCION 44 HR5202C



Posición	Código de la pieza	Name
59	286255-3	TAPON 13 DC24SA
89	454784-6	BASE CARCASA CIGUEÑAL HR5202C
90	911233-1	TORNILLO M5X20*
93	227628-1	EJE PIÑON 33 HR5212C
94	211323-3	RODAMIENTO 6904LLU
95	142410-6	CORONA EMBRAGUE HR5202C
96	324727-1	SHOULDER WASHER 8
97	210005-4	RODAMIENTO 608DDW
98	253215-0	ARANDELA PLANA 8*
99	961004-6	GRUPILLA S-8*
100	424609-8	JUNTA ACEITE HR5202C
101	142409-1	TAPA CARCASA ENGRANAJE HR5202C
102	922359-4	TORNILLO 6X35 HR5202C
103	213231-4	JUNTA DE ACEITE 15 P/HR4500C
104	326376-0	CIGUEÑAL HR5212C
105	211418-2	RODAMIENTO 6006LLU P/HR4500C
106	254229-2	CUNA 5 PARA HR4000C
107	227788-9	CORONA HELICOIDAL HR5212C
108	227336-4	PIÑON 26 HR5212C
109	961102-6	GRUPILLA S-22 HR5201C
110	253843-1	ARANDELA PLANA 12
111	331596-3	CASQUILLO 12 PARA HR4500C
112	211238-4	RODAMIENTO 6202LLU HR4500C
113	267215-4	ARANDELA PLANA 15 BTW200
114	517898-3	INDUCIDO HR5202C
115	681642-5	ARANDELA AISLANTE PARA LS1013
116	210059-1	RODAMIENTO 6000RD PARA HR4000C
117	266568-8	TORNILLO 5X80 HM1111C
118	454772-3	DEFLECTOR HR5202C
119	636303-2	STATOR HR5201C
120	632B59-7	PORTAESCOBILLAS HR5212C
121	195844-2	ESCOBILLAS CB-171 HR5211C
124	454763-4	TAPA CARCASA MOTOR HR5202C
125	454757-9	CARCASA MOTOR HR5202C
126	922359-4	TORNILLO 6X35 HR5202C
127	240016-5	VENTILADOR 90 PARA HR5001C
128	253165-9	ARANDELA PLANA 8*
129	252178-7	TUERCA HEX. M8X12 4112HS
130	454762-6	TAPA TRASERA MOTOR HR5202C
131	266041-8	TORNILLO PT M5X25
132	695123-3	CABLE 4MTS.
133	682560-0	SALIDA DE CABLE PARA HM1202
134	265995-6	TORNILLO RP 4X18 BGA452
135	419024-9	ALOJAMIENTO DEL CABLE HR4011C
136	265995-6	TORNILLO RP 4X18 BGA452
137	687169-3	PRESILLA HP1620
138	632C15-3	UNIDAD LED HR5202C
142	620251-5	CONTROLADOR HR5202C

---

143	265995-6	TORNILLO RP 4X18 BGA452
144	454346-0	LENS
145	234281-6	COMPRESSION SPRING 6
146	632A83-4	SWITCH UNIT
147	454336-3	SWITCH LEVER C
148	187890-9	CAJA INTERRUPTOR HR5202C
149	187890-9	CAJA INTERRUPTOR HR5202C
150	266041-8	TORNILLO PT M5X25
151	815W32-0	HR5202C NAME PLATE
153	454782-0	MANGO B HR5202C
155	266041-8	TORNILLO PT M5X25
160	454333-9	SWITCH LEVER B
164	154626-1	SOPORTE INTERRUPTOR HR4011C
165	650678-5	SWITCH C3PA-1121
166	454760-0	TAPA MANGO HR5202C
167	265995-6	TORNILLO RP 4X18 BGA452