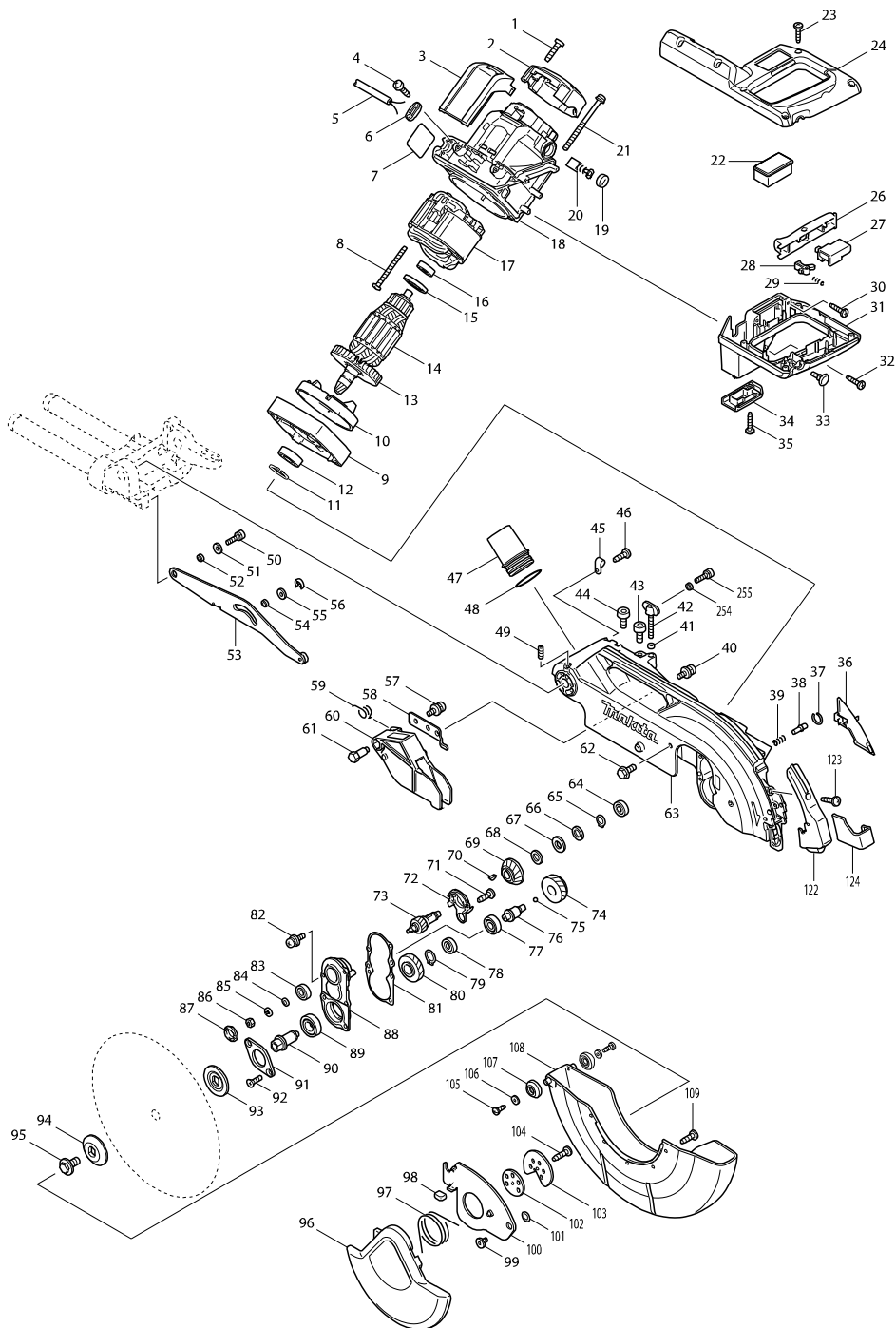
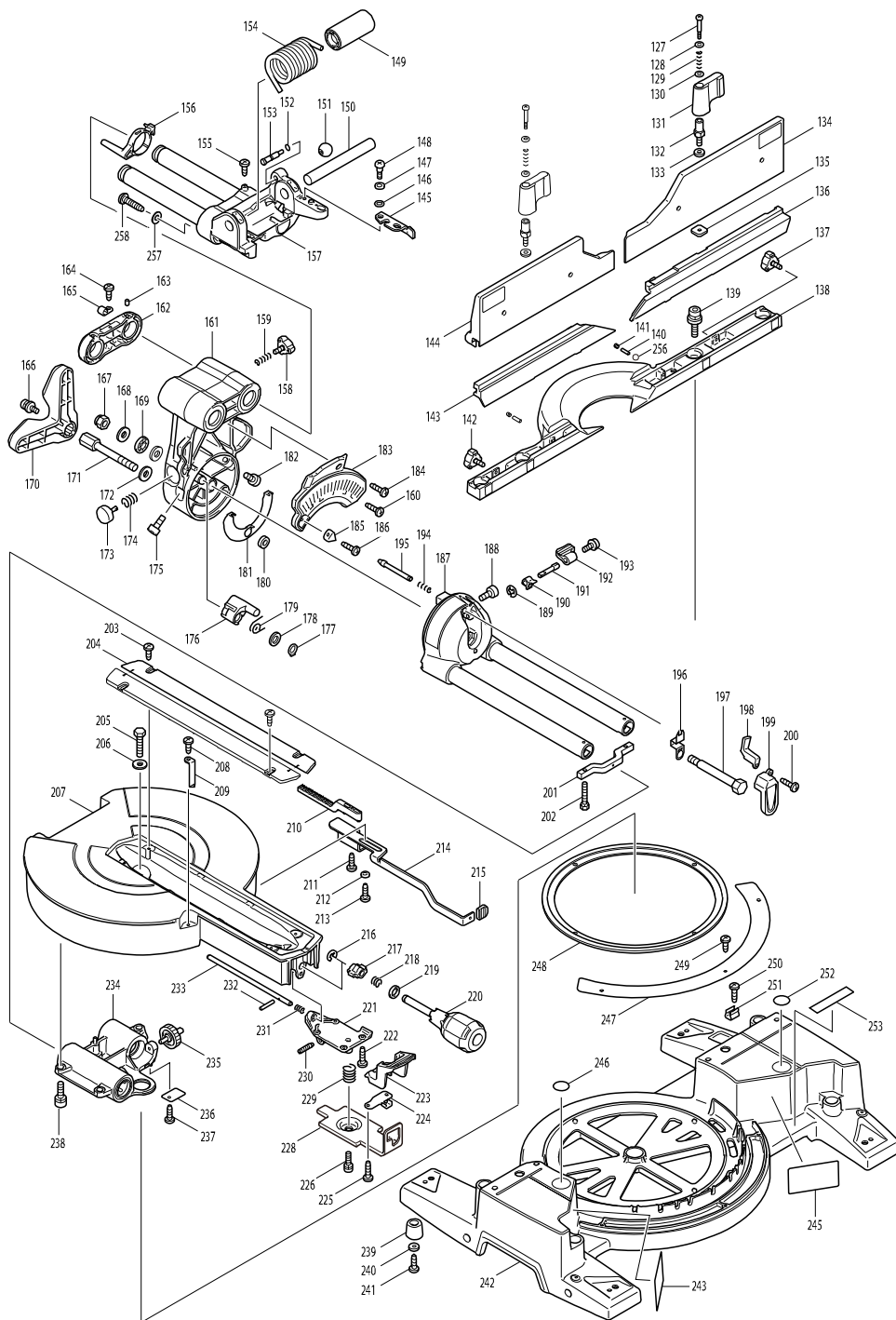


# Modelo LS1016 SIERRA DE INGLETE TELESCOPICA



# Modelo LS1016 SIERRA DE INGLETE TELESCOPICA



## Modelo LS1016 SIERRA DE INGLETE TELESCOPICA

Página 1 / 7

| Pieza | Código   | Descripción                        | Info | CTD. | N/O | Opc. 1 | Opc. 2 | OBS. |
|-------|----------|------------------------------------|------|------|-----|--------|--------|------|
| 001   | 265995-6 | TORNILLO GUIA 4X18 PHR2400,5740N   |      | 2    |     |        |        |      |
| 002   | 450999-3 | TAPA DE LA CARCAZA P/LS1016L       |      | 1    |     |        |        |      |
| 003   | 631863-9 | CONTROLADOR P/LS1016L              |      | 1    |     |        |        |      |
| 004   | 265995-6 | TORNILLO GUIA 4X18 PHR2400,5740N   |      | 2    |     |        |        |      |
| 005   | 664463-0 | CABLE DE PODER No.2-14-8 P/9067,90 |      | 1    |     |        |        |      |
| 006   | 687052-4 | BRIDA DEL CABLE P/9049, 9069,RD11  |      | 1    |     |        |        |      |
| 007   | 866468-8 | LS1016 NAME PLATE                  |      | 1    |     |        |        |      |
| 008   | 266095-5 | TORNILLO PT5X55 P/HR5001C          |      | 2    |     |        |        |      |
| 009   | 318399-2 | SOPORTE DEL MOTOR P/LS1016L        |      | 1    |     |        |        |      |
| 010   | 451001-5 | BASE DEL BAFLE P/LS1016L           |      | 1    |     |        |        |      |
| 011   | 961057-5 | ANILLO DE SEGURIDAD P/9607BL 960   |      | 1    |     |        |        |      |
| 012   | 211275-8 | BALERO P/9045B                     |      | 1    | *   |        |        |      |
| 012-1 | 210301-0 | BALERO P/9045B                     | O    | 1    |     |        |        |      |
| 013   | 240001-8 | VENTILADOR 80 P/LS1013             |      | 1    |     |        |        |      |
| 014   | 517821-8 | ARMADURA P/LS116LA                 |      | 1    |     |        |        |      |
| D10   |          | INC. 13,15,16                      |      |      |     |        |        |      |
| 015   | 681642-5 | ARANDELA P/HR5001C                 |      | 1    |     |        |        |      |
| 016   | 211062-5 | BALERO P/1911B                     |      | 1    |     |        |        |      |
| 017   | 596346-5 | CAMPO P/LS116LA                    |      | 1    |     |        |        |      |
| C10   | 654020-2 | RESORTE DE TERMINAL P/HM1202C,1    |      | 2    |     |        |        |      |
| C20   | 654553-7 | CONECTOR P/LS1030                  |      | 2    |     |        |        |      |
| 018   | 158958-8 | CARCAZA DEL MOTOR P/LS116LA        |      | 1    |     |        |        |      |
| C10   | 643660-1 | PORTA ESCOBILLA P/5007NB, LS1040   |      | 2    | *   |        |        |      |
| C11   | 643653-8 | PORTA CARBON P/9607BLONT A 6436    | O    | 2    |     |        |        |      |
| 019   | 643650-4 | TAPA CARBON P/9607BL, 9609B, 2414  |      | 2    | *   |        |        |      |
| 019-1 | 643650-4 | TAPA CARBON P/9607BL, 9609B, 2414  | O    | 2    |     |        |        |      |
| 020   | 181047-4 | JUEGO DE CARBONES CB-154 P/5007    |      | 1    | *   |        |        |      |
| 020-1 | 194986-9 | JUEGO DE CARBONES CB154 P/LS10     | <    | 1    |     |        |        |      |
| 021   | 911948-0 | TORNILLO CILINDRICO M6X80 P/LS10   |      | 4    |     |        |        |      |
| 022   | 451015-4 | TAPA DEL INTERRUPTOR P/LS1216      |      | 1    |     |        |        |      |
| 023   | 265995-6 | TORNILLO GUIA 4X18 PHR2400,5740N   |      | 6    |     |        |        |      |
| 024   | 450998-5 | AGARRADERA P/LS1216                |      | 1    |     |        |        |      |
| 026   | 451003-1 | PALANCA DEL INTERRUPTOR P/LS10     |      | 1    |     |        |        |      |
| 027   | 650618-3 | INTERRUPTOR P/LS1016L              |      | 1    |     |        |        |      |
| 028   | 416356-5 | PALANCA DE ENCENDIDO P/LS1220      |      | 1    |     |        |        |      |
| 029   | 231026-3 | RESORTE DE COMPRESION P/6012H      |      | 1    |     |        |        |      |
| 030   | 265995-6 | TORNILLO GUIA 4X18 PHR2400,5740N   |      | 2    |     |        |        |      |
| 031   | 140048-1 | EMPÜDADURA P/LS116L                |      | 1    |     |        |        |      |
| C10   | 810485-0 | CAUTION LABEL                      |      | 1    |     |        |        |      |
| 032   | 265995-6 | TORNILLO GUIA 4X18 PHR2400,5740N   |      | 2    |     |        |        |      |
| 033   | 451037-4 | BOTON DE CAMBIO P/LS1016L          |      | 1    |     |        |        |      |
| 034   | 451017-0 | CUBIERTA DEL INTERRUPTOR P/LS12    |      | 1    | *   |        |        |      |
| 034-1 | 457662-9 | COVER HOLDER                       | O    | 1    |     |        |        |      |
| 035   | 265995-6 | TORNILLO GUIA 4X18 PHR2400,5740N   |      | 1    |     |        |        |      |
| 036   | 451004-9 | TAPA DEL PLOMO P/LS1016L           |      | 1    |     |        |        |      |
| 037   | 231928-3 | RESORTE DE PRESION 8 P/4110C       |      | 1    |     |        |        |      |
| 038   | 256633-1 | PERNO 6 P/4110C                    |      | 1    |     |        |        |      |
| 039   | 231240-1 | RESORTE DE COMPRESION 7 P/2412     |      | 1    |     |        |        |      |

## Modelo LS1016 SIERRA DE INGLETE TELESCOPICA

Página 2 / 7

| Pieza | Código   | Descripción                        | Info | CTD. | N/O | Opc. 1 | Opc. 2 | OBS. |
|-------|----------|------------------------------------|------|------|-----|--------|--------|------|
| 040   | 911113-1 | TORNILLO M4-10 9005B               |      | 2    |     |        |        |      |
| 041   | 262001-8 | EMPAQUE 5 P/6906                   |      | 1    |     |        |        |      |
| 042   | 265717-4 | TORNILLO M6X43 P/LS1211            |      | 1    |     |        |        |      |
| 043   | 266488-6 | TORNILLO HEX. M8X20 P/LS1016L      |      | 1    |     |        |        |      |
| 044   | 922331-6 | TORNILLO M6 * 20 LS1440            |      | 1    | *   |        |        |      |
| 044-1 | 922332-4 | TORNILLO M6X20 P/SC161             | S    | 1    |     |        |        |      |
| 045   | 687095-6 | BRIDA DEL CABLE P/LS1013           |      | 1    |     |        |        |      |
| 046   | 266026-4 | TORNILLO 4X12 P/9046, 5740NB       |      | 1    |     |        |        |      |
| 047   | 419277-0 | BOQUILLA PARA POLVO P/LXSL01       |      | 1    |     |        |        |      |
| 048   | 213460-9 | EMPAQUE "O" 35 P/HM1500B           |      | 1    |     |        |        |      |
| 049   | 266321-2 | TORNILLO DE AJUSTE M6X16 P/LS1016L |      | 1    |     |        |        |      |
| 050   | 922331-6 | TORNILLO M6 * 20 LS1440            |      | 1    |     |        |        |      |
| 051   | 253804-1 | ARANDELA 6 P/5630D, 3901, DP4002   |      | 1    |     |        |        |      |
| 052   | 257163-5 | BUJE 6 P/LS1011                    |      | 1    |     |        |        |      |
| 053   | 158960-1 | BASE DEL ESLABON P/LS1016L         |      | 1    |     |        |        |      |
| 054   | 257163-5 | BUJE 6 P/LS1011                    |      | 1    |     |        |        |      |
| 055   | 253804-1 | ARANDELA 6 P/5630D, 3901, DP4002   |      | 1    |     |        |        |      |
| 056   | 961018-5 | SEGUIR TIPO E P/DA3000R, 9741      |      | 1    |     |        |        |      |
| 057   | 911113-1 | TORNILLO M4-10 9005B               |      | 1    |     |        |        |      |
| 058   | 346050-4 | SOPORTE DE LA GUARDA P/LS1016L     |      | 1    |     |        |        |      |
| 059   | 231675-6 | RESORTE DE TORSION P/LH1040F       |      | 1    |     |        |        |      |
| 060   | 451006-5 | GUARDA P/LS1016L                   |      | 1    | *   |        |        |      |
| 060-1 | 453634-2 | GUARDA P/LS1016L                   | <    | 1    |     |        |        |      |
| 061   | 325645-6 | SUJETADOR DE LA GUARDA             |      | 1    |     |        |        |      |
| 062   | 265324-3 | TORNILLO P/LS1030                  |      | 1    |     |        |        |      |
| 063   | 140055-4 | BLADE CASE COMPLETE                |      | 1    | *   |        |        |      |
| C10   | 263005-3 | PERNO DE GOMA P/VARIOS ONT)        |      | 3    | *   |        |        |      |
| 063-1 | 140055-4 | BLADE CASE COMPLETE                | O    | 1    |     |        |        |      |
| C10   | 263005-3 | PERNO DE GOMA P/VARIOS ONT)        |      | 3    |     |        |        |      |
| 064   | 210005-4 | BALERO 608DDW P/HP2030, 4323, 432  |      | 1    |     |        |        |      |
| 065   | 961052-5 | SEGURO DE RETEN S-12 P/9005B,950   |      | 1    |     |        |        |      |
| 066   | 253744-3 | ARANDELA PLANA P/HR5001C           |      | 1    |     |        |        |      |
| 067   | 261104-5 | ARANDELA DE GOMA 12                |      | 1    |     |        |        |      |
| 068   | 253744-3 | ARANDELA PLANA P/HR5001C           |      | 1    |     |        |        |      |
| 069   | 227550-2 | ENGRANE CONICO 32                  |      | 1    |     |        |        |      |
| 070   | 254001-2 | ARANDELA P/HM1303B, 9218PB         |      | 1    |     |        |        |      |
| 071   | 266026-4 | TORNILLO 4X12 P/9046, 5740NB       |      | 2    |     |        |        |      |
| 072   | 451002-3 | SOPORTE DE GRASA P/LS1016L         |      | 1    |     |        |        |      |
| 073   | 227701-7 | ENGRANE HELICOIDAL14 P/LS1016L     |      | 1    |     |        |        |      |
| 074   | 227702-5 | ENGRANE HELICOIDAL 27 P/LS1016L    |      | 1    |     |        |        |      |
| 075   | 216024-8 | BOLA DE ACERO 4 P/BFT040F          |      | 1    |     |        |        |      |
| 076   | 325643-0 | EJE DEL ENGRANE P/LS1016L          |      | 1    |     |        |        |      |
| 077   | 211062-5 | BALERO P/1911B                     |      | 1    |     |        |        |      |
| 078   | 210005-4 | BALERO 608DDW P/HP2030, 4323, 432  |      | 1    |     |        |        |      |
| 079   | 961055-9 | EMPAQUE DE RETEN S-15 P/HP1500,S   |      | 1    |     |        |        |      |
| 080   | 227703-3 | ENGRANE HELICOIDAL 28 P/LS1016L    |      | 1    |     |        |        |      |
| 081   | 442147-8 | JUNTA P/LS1016L                    |      | 1    |     |        |        |      |
| 082   | 911223-4 | TORNILLO CRM 5X16 (SWPW)           |      | 3    |     |        |        |      |

**Modelo LS1016 SIERRA DE INGLETE TELESCOPICA**

Página 3 / 7

| Pieza | Código   | Descripción                       | Info | CTD. | N/O | Opc. 1 | Opc. 2 | OBS. |
|-------|----------|-----------------------------------|------|------|-----|--------|--------|------|
| 083   | 210005-4 | BALERO 608DDW P/HP2030, 4323, 432 |      | 1    |     |        |        |      |
| 084   | 267010-2 | ARANDELA P/JS1650                 |      | 1    |     |        |        |      |
| 085   | 942101-7 | ARANDELA DE PRESION P/HM1100      |      | 1    |     |        |        |      |
| 086   | 931202-6 | TUERCA M5 HEX. P/9911,3700B,BHR2  |      | 1    |     |        |        |      |
| 087   | 285847-5 | RETEN DE BALERO P/LS1016LS        |      | 1    |     |        |        |      |
| 088   | 158957-0 | CAJA DE BALEROS COMPLETA P/LS1    |      | 1    |     |        |        |      |
| C10   | 263002-9 | PERNO DE GOMA 4 P/5007NB, JR300C  |      | 1    |     |        |        |      |
| 089   | 211236-8 | BALERO 6002DDW P/BO5001, 3606     |      | 1    |     |        |        |      |
| 090   | 325644-8 | EJE P/LS1016L                     |      | 1    |     |        |        |      |
| 091   | 285732-2 | RETEN DEL BALERO P/LS1016LS       |      | 1    |     |        |        |      |
| 092   | 265034-2 | TORNILLO M5X P/5740NB             |      | 2    |     |        |        |      |
| 093   | 224428-0 | INNER FLANGE 46                   |      | 1    | *   |        |        |      |
| 093-1 | 224428-0 | INNER FLANGE 46                   | <    | 1    |     |        |        |      |
| 094   | 224429-8 | OUTER FLANGE 46                   |      | 1    |     |        |        |      |
| 095   | 265405-3 | TORNILLO M10X20 P/LS1211          |      | 1    |     |        |        |      |
| 096   | 158959-6 | CUBIERTA DE SEGURIDAD COMPLET     |      | 1    |     |        |        |      |
| 097   | 231634-0 | RESORTE DE TENSION 45 P/LS1220    |      | 1    |     |        |        |      |
| 098   | 424190-9 | COJIN P/LS1016L                   |      | 1    |     |        |        |      |
| 099   | 265985-9 | TORNILLO P/LS1040F                |      | 1    |     |        |        |      |
| 100   | 346048-1 | CENTRO DE LA CUBIERTA P/LS1016L   |      | 1    |     |        |        |      |
| 101   | 253932-2 | ARANDELA 10 2012                  |      | 1    |     |        |        |      |
| 102   | 344539-6 | ARANDELA CENTRAL P/LS1211         |      | 1    |     |        |        |      |
| 103   | 346047-3 | PLACA CRNTRAL P/LS1016L           |      | 1    |     |        |        |      |
| 104   | 266034-5 | TORNILLO CT4X16 P/9524NB, RD1101  |      | 1    |     |        |        |      |
| 105   | 266020-6 | TORNILLO PT4X12 P/9046, BO4556K   |      | 2    |     |        |        |      |
| 106   | 941051-3 | ARANDELA D/PRESION 4mm P/2414 (2  |      | 2    |     |        |        |      |
| 107   | 424193-3 | RODILLO DEL BRAZO P/LS1016L       |      | 2    |     |        |        |      |
| 108   | 451005-7 | SAFETY COVER B                    |      | 1    | *   |        |        |      |
| 108-1 | 451754-6 | CUBIERTA DE SEGURIDAD P/LS1016L   | <    | 1    |     |        |        |      |
| 109   | 266026-4 | TORNILLO 4X12 P/9046, 5740NB      |      | 3    |     |        |        |      |
| 122   | 451016-2 | BLADE CASE COVER                  |      | 1    |     |        |        |      |
| 123   | 266034-5 | TORNILLO CT4X16 P/9524NB, RD1101  |      | 1    |     |        |        |      |
| 124   | 451038-2 | PROTECTOR P/LS1016L               |      | 1    |     |        |        |      |
| 127   | 265026-1 | TORNILLO M4 P/3901                |      | 2    |     |        |        |      |
| 128   | 941102-2 | ARANDELA PLANA P/4100NH           |      | 2    |     |        |        |      |
| 129   | 233267-7 | RESORTE DE COMPRESION 7 P/AN6     |      | 2    |     |        |        |      |
| 130   | 941102-2 | ARANDELA PLANA P/4100NH           |      | 2    |     |        |        |      |
| 131   | 272261-4 | PALANCA 45 P/LS1016L              |      | 2    |     |        |        |      |
| 132   | 325651-1 | EJE P/LS1016L                     |      | 2    |     |        |        |      |
| 133   | 253804-1 | ARANDELA 6 P/5630D, 3901, DP4002  |      | 2    |     |        |        |      |
| 134   | 158970-8 | UPPER FENCE R COMPLETE            |      | 1    |     |        |        |      |
| C10   | 810481-8 | CAUTION LABEL                     |      | 1    |     |        |        |      |
| 135   | 346058-8 | GUIA DE LA PALANCA P/LS1016L      |      | 2    |     |        |        |      |
| 136   | 318415-0 | LOWER FENCE R                     |      | 1    | *   |        |        |      |
| 136-1 | 318596-0 | GUIA INFERIOR DERECHA P/LS1016    | <    | 1    | *   |        |        |      |
| 136-2 | 318596-0 | GUIA INFERIOR DERECHA P/LS1016    | <    | 1    |     |        |        |      |
| 137   | 265783-1 | TORNILLO M8X25 P/LS1016L          |      | 1    |     |        |        |      |
| 138   | 318411-8 | GUIA LATERAL P/LS1016L            |      | 1    | *   |        |        |      |

## Modelo LS1016 SIERRA DE INGLETE TELESCOPICA

Página 4 / 7

| Pieza | Código   | Descripción                      | Info | CTD. | N/O | Opc. 1 | Opc. 2 | OBS. |
|-------|----------|----------------------------------|------|------|-----|--------|--------|------|
| 138-1 | 318411-8 | GUIA LATERAL P/LS1016L           | O    | 1    | *   |        |        |      |
| 138-2 | 318411-8 | GUIA LATERAL P/LS1016L           | <    | 1    |     |        |        |      |
| 139   | 922443-5 | TORNILLO M8X25 P/LS1016L         |      | 4    |     |        |        |      |
| 140   | 256226-4 | PERNO CILINDRICO SIN ROSCA       |      | 2    |     |        |        |      |
| 141   | 266264-8 | TORNILLO M5X6 P/4140 ANTES 26588 |      | 2    |     |        |        |      |
| 142   | 265783-1 | TORNILLO M8X25 P/LS1016L         |      | 1    |     |        |        |      |
| 143   | 318413-4 | LOWER FENCE L                    |      | 1    | *   |        |        |      |
| 143-1 | 318595-2 | GUIA INFERIOR IZQUIERDA P/LS1016 | <    | 1    | *   |        |        |      |
| 143-2 | 318595-2 | GUIA INFERIOR IZQUIERDA P/LS1016 | <    | 1    |     |        |        |      |
| 144   | 158969-3 | UPPER FENCE L COMPLETE           |      | 1    |     |        |        |      |
| C10   | 810481-8 | CAUTION LABEL                    |      | 1    |     |        |        |      |
| 145   | 346049-9 | TOPE DEL BRAZO P/LS1016L         |      | 1    |     |        |        |      |
| 146   | 253948-7 | ARANDELA DE MUELLE P/LS1440      |      | 1    |     |        |        |      |
| 147   | 253835-0 | ARANDELA P/LXSL01                |      | 1    |     |        |        |      |
| 148   | 251267-5 | TORNILLO M6 P/LS1013             |      | 1    |     |        |        |      |
| 149   | 451036-6 | ROSETA 17 P/LS106L               |      | 1    |     |        |        |      |
| 150   | 323740-6 | RODILLO 16 P/LS1220              |      | 1    |     |        |        |      |
| 151   | 271601-3 | MANDO DE PERCUSION 20 P/4300BV   |      | 1    |     |        |        |      |
| 152   | 213021-5 | EMPAQUE DE GOMA "O" 5 P/LS0810   |      | 1    |     |        |        |      |
| 153   | 324183-5 | PERNO P/LH1040F                  |      | 1    |     |        |        |      |
| 154   | 233537-4 | RESORTE DE TENSION 35 P/LS1016L  |      | 1    |     |        |        |      |
| 155   | 266026-4 | TORNILLO 4X12 P/9046, 5740NB     |      | 1    |     |        |        |      |
| 156   | 158962-7 | PALANCA DE TOPE P/LS1016L        |      | 1    |     |        |        |      |
| C10   | 263002-9 | PERNO DE GOMA 4 P/5007NB, JR3000 |      | 1    |     |        |        |      |
| 157   | 158961-9 | BRAZO DELANTERO COMPLETO P/LS    |      | 1    | *   |        |        |      |
| 157-1 | 158961-9 | BRAZO DELANTERO COMPLETO P/LS    | O    | 1    |     |        |        |      |
| 158   | 265783-1 | TORNILLO M8X25 P/LS1016L         |      | 1    |     |        |        |      |
| 159   | 231240-1 | RESORTE DE COMPRESION 7 P/2412L  |      | 1    |     |        |        |      |
| 160   | 266034-5 | TORNILLO CT4X16 P/9524NB, RD1101 |      | 1    |     |        |        |      |
| 161   | 158963-5 | BRAZO COMPLETO P/LS1016L         |      | 1    |     |        |        |      |
| C10   | 262077-5 | ANILLO DE FIELTRO P/LXSL01       |      | 4    |     |        |        |      |
| C20   | 263005-3 | PERNO DE GOMA P/VARIOS ONT)      |      | 1    |     |        |        |      |
| C30   | 344638-4 | TAPA 35 P/LXSL01                 |      | 3    |     |        |        |      |
| 162   | 318403-7 | TAPA DEL SOPORTE P/LS1016L       |      | 1    | *   |        |        |      |
| 162-1 | 318403-7 | TAPA DEL SOPORTE P/LS1016L       | O    | 1    |     |        |        |      |
| 163   | 266208-8 | TORNILLO PRISIONERO M6X8 P/LS07  |      | 2    |     |        |        |      |
| 164   | 266026-4 | TORNILLO 4X12 P/9046, 5740NB     |      | 1    |     |        |        |      |
| 165   | 687095-6 | BRIDA DEL CABLE P/LS1013         |      | 1    |     |        |        |      |
| 166   | 911113-1 | TORNILLO M4-10 9005B             |      | 1    |     |        |        |      |
| 167   | 252130-5 | TUERCA P/2414NB                  |      | 1    |     |        |        |      |
| 168   | 253024-7 | ARANDELA PLANA 10 P/LS1040, 9741 |      | 2    |     |        |        |      |
| 169   | 216413-7 | AGUJA P/LS0714FL                 |      | 1    |     |        |        |      |
| 170   | 451019-6 | PALANCA 105 P/LS1016L            |      | 1    |     |        |        |      |
| 171   | 265589-7 | TORNILLO HEX. M10 P/LS1016L      |      | 1    |     |        |        |      |
| 172   | 253024-7 | ARANDELA PLANA 10 P/LS1040, 9741 |      | 1    |     |        |        |      |
| 173   | 415208-7 | BOTON DE LIBERACION P/LS1016L    |      | 1    |     |        |        |      |
| 174   | 233031-6 | RESORTE DE COMPRESION P/9027L    |      | 1    |     |        |        |      |
| 175   | 266488-6 | TORNILLO HEX. M8X20 P/LS1016L    |      | 1    |     |        |        |      |

## Modelo LS1016 SIERRA DE INGLETE TELESCOPICA

Página 5 / 7

| Pieza | Código   | Descripción                      | Info | CTD. | N/O | Opc. 1 | Opc. 2 | OBS. |
|-------|----------|----------------------------------|------|------|-----|--------|--------|------|
| 176   | 318405-3 | TOPE P/LS1016L                   |      | 1    |     |        |        |      |
| 177   | 961052-5 | SEGURO DE RETEN S-12 P/9005B,950 |      | 1    |     |        |        |      |
| 178   | 253744-3 | ARANDELA PLANA P/HR5001C         |      | 1    |     |        |        |      |
| 179   | 231646-3 | SEGURO 14 P/LS1016L              |      | 1    |     |        |        |      |
| 180   | 262051-3 | EMPAQUE DE GOMA 9 P/HM0810B      |      | 1    | *   |        |        |      |
| 180-1 | 262158-5 | ARANDELA 9 P/LS1016L             | <    | 1    |     |        |        |      |
| 181   | 346071-6 | PLACA P/LS1016L                  |      | 1    |     |        |        |      |
| 182   | 266488-6 | TORNILLO HEX. M8X20 P/LS1016L    |      | 1    |     |        |        |      |
| 183   | 451008-1 | CUBIERTA P/LS106L                |      | 1    |     |        |        |      |
| 184   | 266034-5 | TORNILLO CT4X16 P/9524NB, RD1101 |      | 1    |     |        |        |      |
| 185   | 343678-9 | BASE INDICADOR P/LS1011          |      | 1    |     |        |        |      |
| 186   | 266034-5 | TORNILLO CT4X16 P/9524NB, RD1101 |      | 1    |     |        |        |      |
| 187   | 158964-3 | SOPORTE DEL BRAZO COMPLETO P/    |      | 1    | *   |        |        |      |
| C10   | 263005-3 | PERNO DE GOMA P/VARIOS ONT)      |      | 1    | *   |        |        |      |
| C20   | 816927-2 | DEPOSITO DEL BRAZO P/LS106L      |      | 1    | *   |        |        |      |
| 187-1 | 140376-4 | ARM HOLDER COMPLETE              | <    | 1    | *   |        |        |      |
| C10   | 263005-3 | PERNO DE GOMA P/VARIOS ONT)      |      | 1    | *   |        |        |      |
| C20   | 816927-2 | DEPOSITO DEL BRAZO P/LS106L      |      | 1    | *   |        |        |      |
| C30   | 816937-9 | ETIQUETA DE IDENTIFICACION P/LS1 |      | 1    | *   |        |        |      |
| 187-2 | 158964-3 | SOPORTE DEL BRAZO COMPLETO P/    | O    | 1    |     |        |        |      |
| C10   | 263005-3 | PERNO DE GOMA P/VARIOS ONT)      |      | 1    |     |        |        |      |
| C20   | 816927-2 | DEPOSITO DEL BRAZO P/LS106L      |      | 1    |     |        |        |      |
| C30   | 816937-9 | ETIQUETA DE IDENTIFICACION P/LS1 |      | 1    |     |        |        |      |
| 188   | 266488-6 | TORNILLO HEX. M8X20 P/LS1016L    |      | 1    |     |        |        |      |
| 189   | 961011-9 | SEGURO TIPO E P/HR2440           |      | 1    |     |        |        |      |
| 190   | 451044-7 | LEVA P/LS1016L                   |      | 1    |     |        |        |      |
| 191   | 325656-1 | RODILLO 6 P/LS1016L              |      | 1    |     |        |        |      |
| 192   | 272262-2 | PALANCA 22 P/LS1016L             |      | 1    |     |        |        |      |
| 193   | 911113-1 | TORNILLO M4-10 9005B             |      | 1    |     |        |        |      |
| 194   | 234122-6 | MUELLE DE COMPRESION 6           |      | 1    |     |        |        |      |
| 195   | 325655-3 | PERNO DE BLOQUEO 8 P/LS1016L     |      | 1    | *   |        |        |      |
| 195-1 | 325865-2 | PERNO DE BLOQUEO 8 P/LS1216      | <    | 1    |     |        |        |      |
| 196   | 232250-1 | BASE GUIA P/LS1016L              |      | 1    |     |        |        |      |
| 197   | 325646-4 | CENTRO DEL EJE P/LS1016L         |      | 1    |     |        |        |      |
| 198   | 451039-0 | POSICION DEL PLATO P/LS1016L     |      | 1    |     |        |        |      |
| 199   | 451070-6 | CUBIERTA DEL PLATO P/LS1016L     |      | 1    |     |        |        |      |
| 200   | 266034-5 | TORNILLO CT4X16 P/9524NB, RD1101 |      | 1    |     |        |        |      |
| 201   | 158967-7 | BARRA COMPLETA P/LS1016L         |      | 1    |     |        |        |      |
| C10   | 263005-3 | PERNO DE GOMA P/VARIOS ONT)      |      | 1    |     |        |        |      |
| 202   | 925251-3 | TORNILLO M5X30 P/LXSL01          |      | 2    |     |        |        |      |
| 203   | 266026-4 | TORNILLO 4X12 P/9046, 5740NB     |      | 4    |     |        |        |      |
| 204   | 451013-8 | JUNTA P/LS1016L                  |      | 2    |     |        |        |      |
| 205   | 265585-5 | TORNILLO M8X45 P/LS1016L         |      | 1    |     |        |        |      |
| 206   | 253762-1 | ARANDELA PLANA P/LH1040F         |      | 1    |     |        |        |      |
| 207   | 140142-9 | BASE DE VUELTA COMPLETA P/LS101  |      | 1    |     |        |        |      |
| C10   | 816930-3 | ETIQUETA DE IDENTIFICACION P/LS1 |      | 1    |     |        |        |      |
| 208   | 266026-4 | TORNILLO 4X12 P/9046, 5740NB     |      | 1    |     |        |        |      |
| 209   | 451009-9 | PLACA DE IDENTIFICACION P/LS1016 |      | 1    |     |        |        |      |

## Modelo LS1016 SIERRA DE INGLETE TELESCOPICA

Página 6 / 7

| Pieza | Código   | Descripción                      | Info | CTD. | N/O | Opc. 1 | Opc. 2 | OBS. |
|-------|----------|----------------------------------|------|------|-----|--------|--------|------|
| 210   | 451011-2 | SOPORTE DEL SEGURO P/LS1016L     |      | 1    |     |        |        |      |
| 211   | 266385-6 | TORNILLO 4X14 P/GA9050R          |      | 1    |     |        |        |      |
| 212   | 941051-3 | ARANDELA D/PRESION 4mm P/2414 (2 |      | 1    |     |        |        |      |
| 213   | 266026-4 | TORNILLO 4X12 P/9046, 5740NB     |      | 1    |     |        |        |      |
| 214   | 346052-0 | SEGURO DE DESLIZAMIENTO P/LS10   |      | 1    |     |        |        |      |
| 215   | 286275-7 | TAPA P/5007MG                    |      | 1    |     |        |        |      |
| 216   | 961013-5 | EMPAQUE DE TOPE E-7              |      | 1    |     |        |        |      |
| 217   | 313165-2 | LEVA P/LS1016L                   |      | 1    |     |        |        |      |
| 218   | 231131-6 | RESORTE DE COMPRESION P/LS1016   |      | 1    |     |        |        |      |
| 219   | 267047-9 | ARANDELA PLANA 10 P/3621         |      | 1    |     |        |        |      |
| 220   | 273666-1 | MANDO DE PERCUSION P/LS1016L     |      | 1    | *   |        |        |      |
| 220-1 | 273666-1 | MANDO DE PERCUSION P/LS1016L     | O    | 1    |     |        |        |      |
| 221   | 318410-0 | GUIA DEL PERNO P/LS1016L         |      | 1    |     |        |        |      |
| 222   | 266034-5 | TORNILLO CT4X16 P/9524NB, RD1101 |      | 4    |     |        |        |      |
| 223   | 451010-4 | PALANCA DE BLOQUEO P/LS1016L     |      | 1    |     |        |        |      |
| 224   | 345272-3 | PALANCA DEL CERROJO DE PLACA F   |      | 1    |     |        |        |      |
| 225   | 266034-5 | TORNILLO CT4X16 P/9524NB, RD1101 |      | 2    |     |        |        |      |
| 226   | 266505-2 | TORNILLO M6X14 P/LS1016L         |      | 1    |     |        |        |      |
| 228   | 346051-2 | PLACA DE BLOQUEO P/LS1016L       |      | 1    |     |        |        |      |
| 229   | 234104-8 | RESORTE DE COMPRESION P/LS1016   |      | 1    |     |        |        |      |
| 230   | 266306-8 | TORNILLO M5 P/LS0714FL           |      | 1    |     |        |        |      |
| 231   | 231325-3 | RESORTE DE COMPRESION 6 P/LS12   |      | 1    |     |        |        |      |
| 232   | 256158-5 | PERNO 3 P/6095D                  |      | 1    |     |        |        |      |
| 233   | 325649-8 | PERNO 6 P/LS1016L                |      | 1    |     |        |        |      |
| 234   | 158968-5 | CAJA DE BALEROS LINEALES COMPL   |      | 1    |     |        |        |      |
| 235   | 451018-8 | ENGRANE PIDON P/LS1016L          |      | 1    |     |        |        |      |
| 236   | 232249-6 | LAMINILLA P/LS1016L              |      | 1    |     |        |        |      |
| 237   | 266026-4 | TORNILLO 4X12 P/9046, 5740NB     |      | 1    |     |        |        |      |
| 238   | 922441-9 | TORNILLO HEXAGONAL M8X25         |      | 3    |     |        |        |      |
| 239   | 421845-7 | PATA DE LA BASE P/LS1016L        |      | 4    |     |        |        |      |
| 240   | 267195-4 | ARANDELA PLANA P/UC3020A         |      | 4    |     |        |        |      |
| 241   | 266026-4 | TORNILLO 4X12 P/9046, 5740NB     |      | 4    |     |        |        |      |
| 242   | 140053-8 | BASE COMPLETA P/LS1016           |      | 1    | *   |        |        |      |
| D10   |          | INC. 243,246,252,253             |      |      | *   |        |        |      |
| 242-1 | 140053-8 | BASE COMPLETA P/LS1016           | <    | 1    |     |        |        |      |
| D10   |          | INC. 243,246,252,253             |      |      |     |        |        |      |
| 243   | 810494-9 | CAUTION LABEL                    |      | 1    |     |        |        |      |
| 246   | 817283-3 | CAUTION LABEL                    |      | 1    |     |        |        |      |
| 247   | 816920-6 | PLACA ESCALA P/LS1016L           |      | 1    |     |        |        |      |
| 248   | 451012-0 | PLACA DESLICE P/LS1016L          |      | 1    |     |        |        |      |
| 249   | 266026-4 | TORNILLO 4X12 P/9046, 5740NB     |      | 3    |     |        |        |      |
| 250   | 266034-5 | TORNILLO CT4X16 P/9524NB, RD1101 |      | 1    |     |        |        |      |
| 251   | 232075-3 | RESORTE P/LS1013                 |      | 1    |     |        |        |      |
| 252   | 817283-3 | CAUTION LABEL                    |      | 1    |     |        |        |      |
| 253   | 810489-2 | CAUTION LABEL                    |      | 1    |     |        |        |      |
| 254   | 257785-1 | MANGUITO P/LS1016L               |      | 1    |     |        |        |      |
| 255   | 922226-3 | TORNILLO HEX. M5X18 P/HM0810B    |      | 1    |     |        |        |      |
| 256   | 216024-8 | BOLA DE ACERO 4 P/BFT040F        |      | 2    |     |        |        |      |



