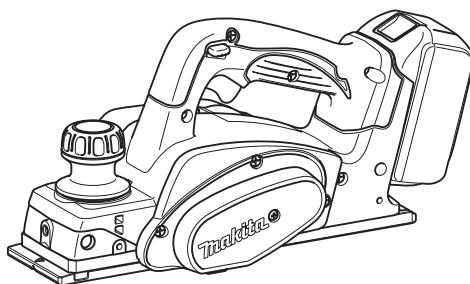


INSTRUCTION MANUAL
MANUEL D'INSTRUCTION
MANUAL DE INSTRUCCIONES



Cordless Planer Rabot sans Fil Cepillo Inalámbrico

DKP180



IMPORTANT: Read Before Using.

IMPORTANT : Lire avant usage.

IMPORTANTE: Lea antes de usar.

SPECIFICATIONS

Model	DKP180	
Planing width	82 mm (3-1/4")	
Planing depth	2 mm (5/64")	
Shiplapping depth	9 mm (11/32")	
No load speed (RPM)	15,000 /min	
Overall length	333 mm (13-1/8")	
Net weight	3.1 kg (6.8 lbs)	3.4 kg (7.4 lbs)
Rated voltage	D.C. 18 V	
Standard battery cartridges	BL1815N/ BL1820/ BL1820B	BL1830/ BL1830B/ BL1840/ BL1840B/ BL1850/ BL1850B/ BL1860B

- Due to our continuing program of research and development, the specifications herein are subject to change without notice.
- Specifications and battery cartridge may differ from country to country.
- Weight, with battery cartridge, according to EPTA-Procedure 01/2003

General Power Tool Safety Warnings

⚠WARNING Read all safety warnings and all instructions. Failure to follow the warnings and instructions may result in electric shock, fire and/or serious injury.

Save all warnings and instructions for future reference.

The term "power tool" in the warnings refers to your mains-operated (corded) power tool or battery-operated (cordless) power tool.

Work area safety

1. **Keep work area clean and well lit.** Cluttered or dark areas invite accidents.
2. **Do not operate power tools in explosive atmospheres, such as in the presence of flammable liquids, gases or dust.** Power tools create sparks which may ignite the dust or fumes.
3. **Keep children and bystanders away while operating a power tool.** Distractions can cause you to lose control.

Electrical safety

4. **Power tool plugs must match the outlet. Never modify the plug in any way. Do not use any adapter plugs with earthed (grounded) power tools.** Unmodified plugs and matching outlets will reduce risk of electric shock.
5. **Avoid body contact with earthed or grounded surfaces such as pipes, radiators, ranges and refrigerators.** There is an increased risk of electric shock if your body is earthed or grounded.
6. **Do not expose power tools to rain or wet conditions.** Water entering a power tool will increase the risk of electric shock.
7. **Do not abuse the cord. Never use the cord for carrying, pulling or unplugging the power tool. Keep cord away from heat, oil, sharp edges or moving parts.** Damaged or entangled cords increase the risk of electric shock.
8. **When operating a power tool outdoors, use an extension cord suitable for outdoor use.** Use of a cord suitable for outdoor use reduces the risk of electric shock.

9. **If operating a power tool in a damp location is unavoidable, use a ground fault circuit interrupter (GFCI) protected supply.** Use of an GFCI reduces the risk of electric shock.

Personal safety

10. **Stay alert, watch what you are doing and use common sense when operating a power tool. Do not use a power tool while you are tired or under the influence of drugs, alcohol or medication.** A moment of inattention while operating power tools may result in serious personal injury.
11. **Use personal protective equipment. Always wear eye protection.** Protective equipment such as dust mask, non-skid safety shoes, hard hat, or hearing protection used for appropriate conditions will reduce personal injuries.
12. **Prevent unintentional starting. Ensure the switch is in the off-position before connecting to power source and/or battery pack, picking up or carrying the tool.** Carrying power tools with your finger on the switch or energising power tools that have the switch on invites accidents.
13. **Remove any adjusting key or wrench before turning the power tool on.** A wrench or a key left attached to a rotating part of the power tool may result in personal injury.
14. **Do not overreach. Keep proper footing and balance at all times.** This enables better control of the power tool in unexpected situations.
15. **Dress properly. Do not wear loose clothing or jewellery. Keep your hair, clothing, and gloves away from moving parts.** Loose clothes, jewellery or long hair can be caught in moving parts.
16. **If devices are provided for the connection of dust extraction and collection facilities, ensure these are connected and properly used.** Use of dust collection can reduce dust-related hazards.

Power tool use and care

17. **Do not force the power tool. Use the correct power tool for your application.** The correct power tool will do the job better and safer at the rate for which it was designed.

18. **Do not use the power tool if the switch does not turn it on and off.** Any power tool that cannot be controlled with the switch is dangerous and must be repaired.
19. **Disconnect the plug from the power source and/or the battery pack from the power tool before making any adjustments, changing accessories, or storing power tools.** Such preventive safety measures reduce the risk of starting the power tool accidentally.
20. **Store idle power tools out of the reach of children and do not allow persons unfamiliar with the power tool or these instructions to operate the power tool.** Power tools are dangerous in the hands of untrained users.
21. **Maintain power tools. Check for misalignment or binding of moving parts, breakage of parts and any other condition that may affect the power tool's operation. If damaged, have the power tool repaired before use.** Many accidents are caused by poorly maintained power tools.
22. **Keep cutting tools sharp and clean.** Properly maintained cutting tools with sharp cutting edges are less likely to bind and are easier to control.
23. **Use the power tool, accessories and tool bits etc. in accordance with these instructions, taking into account the working conditions and the work to be performed.** Use of the power tool for operations different from those intended could result in a hazardous situation.

Battery tool use and care

24. **Recharge only with the charger specified by the manufacturer.** A charger that is suitable for one type of battery pack may create a risk of fire when used with another battery pack.
25. **Use power tools only with specifically designated battery packs.** Use of any other battery packs may create a risk of injury and fire.
26. **When battery pack is not in use, keep it away from other metal objects, like paper clips, coins, keys, nails, screws or other small metal objects, that can make a connection from one terminal to another.** Shorting the battery terminals together may cause burns or a fire.
27. **Under abusive conditions, liquid may be ejected from the battery; avoid contact. If contact accidentally occurs, flush with water. If liquid contacts eyes, additionally seek medical help.** Liquid ejected from the battery may cause irritation or burns.

Service

28. **Have your power tool serviced by a qualified repair person using only identical replacement parts.** This will ensure that the safety of the power tool is maintained.
29. **Follow instruction for lubricating and changing accessories.**
30. **Keep handles dry, clean and free from oil and grease.**

CORDLESS PLANER SAFETY WARNINGS

1. **Wait for the cutter to stop before setting the tool down.** An exposed rotating cutter may engage the surface leading to possible loss of control and serious injury.

2. **Use clamps or another practical way to secure and support the workpiece to a stable platform.** Holding the work by your hand or against the body leaves it unstable and may lead to loss of control.
3. **Rags, cloth, cord, string and the like should never be left around the work area.**
4. **Avoid cutting nails. Inspect for and remove all nails from the workpiece before operation.**
5. **Use only sharp blades. Handle the blades very carefully.**
6. **Be sure the blade installation bolts are securely tightened before operation.**
7. **Hold the tool firmly with both hands.**
8. **Keep hands away from rotating parts.**
9. **Before using the tool on an actual workpiece, let it run for a while. Watch for vibration or wobbling that could indicate poor installation or a poorly balanced blade.**
10. **Make sure the blade is not contacting the workpiece before the switch is turned on.**
11. **Wait until the blade attains full speed before cutting.**
12. **Always switch off and wait for the blades to come to a complete stop before any adjusting.**
13. **Never stick your finger into the chip chute. Chute may jam when cutting damp wood. Clean out chips with a stick.**
14. **Do not leave the tool running. Operate the tool only when hand-held.**
15. **Always change both blades or covers on the drum, otherwise the resulting imbalance will cause vibration and shorten tool life.**
16. **Use only Makita blades specified in this manual.**
17. **Always use the correct dust mask/respirator for the material and application you are working with.**

SAVE THESE INSTRUCTIONS.

⚠WARNING: DO NOT let comfort or familiarity with product (gained from repeated use) replace strict adherence to safety rules for the subject product. **MISUSE** or failure to follow the safety rules stated in this instruction manual may cause serious personal injury.

Symbols

The followings show the symbols used for tool.

V	volts
— — —	direct current
n ₀	no load speed
... /min r /min	revolutions or reciprocation per minute

IMPORTANT SAFETY INSTRUCTIONS

FOR BATTERY CARTRIDGE

1. Before using battery cartridge, read all instructions and cautionary markings on (1) battery charger, (2) battery, and (3) product using battery.
2. Do not disassemble battery cartridge.
3. If operating time has become excessively shorter, stop operating immediately. It may result in a risk of overheating, possible burns and even an explosion.
4. If electrolyte gets into your eyes, rinse them out with clear water and seek medical attention right away. It may result in loss of your eyesight.
5. Do not short the battery cartridge:
 - (1) Do not touch the terminals with any conductive material.
 - (2) Avoid storing battery cartridge in a container with other metal objects such as nails, coins, etc.
 - (3) Do not expose battery cartridge to water or rain.A battery short can cause a large current flow, overheating, possible burns and even a breakdown.
6. Do not store the tool and battery cartridge in locations where the temperature may reach or exceed 50°C (122°F).
7. Do not incinerate the battery cartridge even if it is severely damaged or is completely worn out. The battery cartridge can explode in a fire.
8. Be careful not to drop or strike battery.
9. Do not use a damaged battery.
10. Follow your local regulations relating to disposal of battery.

SAVE THESE INSTRUCTIONS.

⚠CAUTION: Only use genuine Makita batteries. Use of non-genuine Makita batteries, or batteries that have been altered, may result in the battery bursting causing fires, personal injury and damage. It will also void the Makita warranty for the Makita tool and charger.

Tips for maintaining maximum battery life

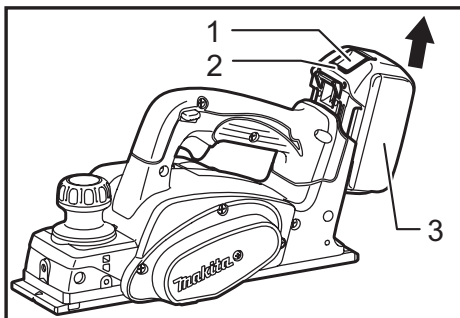
1. Charge the battery cartridge before completely discharged. Always stop tool operation and charge the battery cartridge when you notice less tool power.
2. Never recharge a fully charged battery cartridge. Overcharging shortens the battery service life.
3. Charge the battery cartridge with room temperature at 10°C - 40°C (50°F - 104°F). Let a hot battery cartridge cool down before charging it.
4. Charge the battery cartridge if you do not use it for a long period (more than six months).

FUNCTIONAL DESCRIPTION

⚠CAUTION:

- Always be sure that the tool is switched off and the battery cartridge is removed before adjusting or checking function on the tool.

Installing or removing battery cartridge



▶ 1. Button 2. Red indicator 3. Battery cartridge

⚠CAUTION:

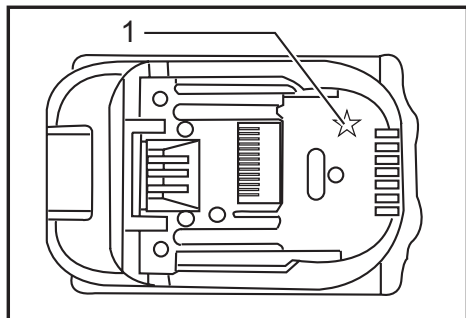
- Always switch off the tool before installing or removing of the battery cartridge.
- **Hold the tool and the battery cartridge firmly when installing or removing battery cartridge.** Failure to hold the tool and the battery cartridge firmly may cause them to slip off your hands and result in damage to the tool and battery cartridge and a personal injury.

To remove the battery cartridge, slide it from the tool while sliding the button on the front of the cartridge. To install the battery cartridge, align the tongue on the battery cartridge with the groove in the housing and slip it into place. Insert it all the way until it locks in place with a little click. If you can see the red indicator on the upper side of the button, it is not locked completely.

⚠CAUTION:

- Always install the battery cartridge fully until the red indicator cannot be seen. If not, it may accidentally fall out of the tool, causing injury to you or someone around you.
- Do not install the battery cartridge forcibly. If the cartridge does not slide in easily, it is not being inserted correctly.

Battery protection system (Lithium-ion battery with star marking)



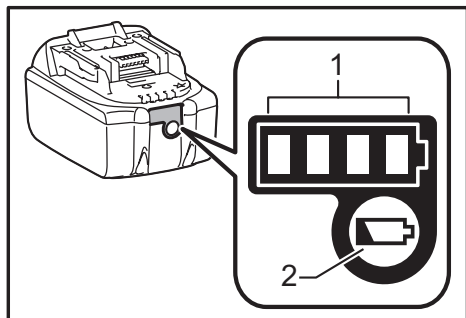
► 1. Star marking

Lithium-ion batteries with a star marking are equipped with a protection system. This system automatically cuts off power to the tool to extend battery life. The tool will automatically stop during operation if the tool and/or battery are placed under one of the following conditions:

- **Overloaded:**
The tool is operated in a manner that causes it to draw an abnormally high current. In this situation, release the switch trigger on the tool and stop the application that caused the tool to become overloaded. Then pull the switch trigger again to restart. If the tool does not start, the battery is overheated. In this situation, let the battery cool before pulling the switch trigger again.
- **Low battery voltage:**
The remaining battery capacity is too low and the tool will not operate. In this situation, remove and recharge the battery.

Indicating the remaining battery capacity

(Only for battery cartridges with "B" at the end of the model number.)



► 1. Indicator lamps 2. CHECK button

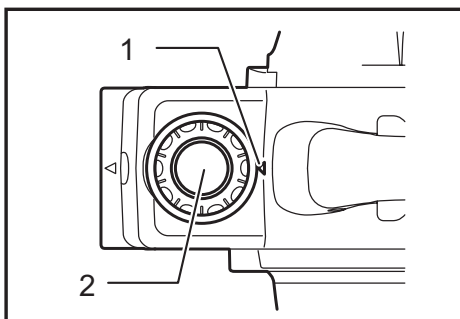
Press the check button on the battery cartridge to indicate the remaining battery capacity. The indicator lamps light up for few seconds.

Indicator lamps			Remaining capacity
Lighted	Off	Blinking	
■ ■ ■ ■			75% to 100%
■ ■ ■ □			50% to 75%
■ ■ □ □			25% to 50%
■ □ □ □			0% to 25%
▣ □ □ □			Charge the battery.
■ □ □ □	↑ ↓	■ ■ ■ ■	The battery may have malfunctioned.

NOTE:

- Depending on the conditions of use and the ambient temperature, the indication may differ slightly from the actual capacity.

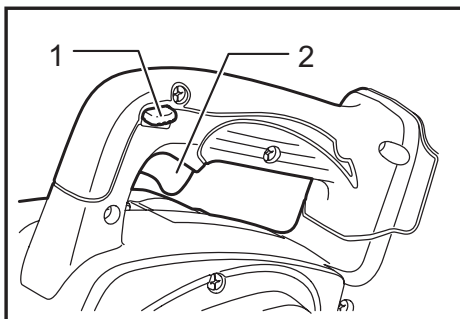
Adjusting depth of cut



► 1. Pointer 2. Knob

Depth of cut may be adjusted by simply turning the knob on the front of the tool so that the pointer points the desired depth of cut.

Switch action



► 1. Lock-off lever 2. Switch trigger

⚠ CAUTION:

- Before installing the battery cartridge into the tool, always check to see that the switch trigger actuates properly and returns to the "OFF" position when released.
- Do not pull the switch trigger hard without pressing the lock-off lever. This can cause switch breakage.

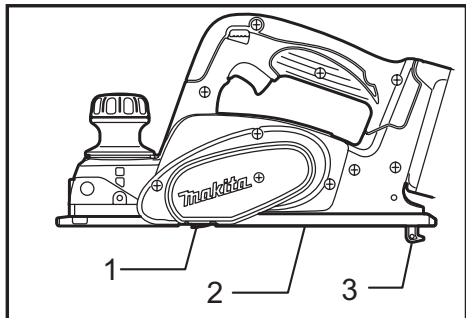
To prevent the switch trigger from being accidentally pulled, a lock-off lever is provided. To start the tool, slide the lock-off lever and pull the switch trigger. Release the switch trigger to stop.

⚠ WARNING:

- For your safety, this tool is equipped with lock-off lever which prevents the tool from unintended starting. NEVER use the tool if it runs when you simply pull the lock-off trigger without pressing the lock-off lever. Return tool a MAKITA service center for proper repairs BEFORE further usage.
- NEVER tape down or defeat purpose and function of lock-off lever.

To prevent the switch trigger from being accidentally pulled, a lock-off button is provided. To start the tool, depress the lock-off button and pull the switch trigger. Release the switch trigger to stop.

Foot



► 1. Planer blade 2. Rear base 3. Foot

After a cutting operation, raise the back side of the tool and a foot comes under the level of the rear base. This prevents the tool blades to be damaged.

ASSEMBLY

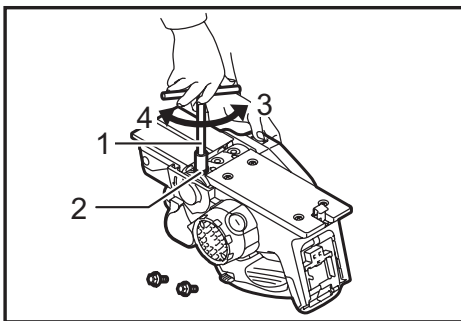
⚠ CAUTION:

- Always be sure that the tool is switched off and the battery cartridge is removed before carrying out any work on the tool.

Removing or installing mini planer blades

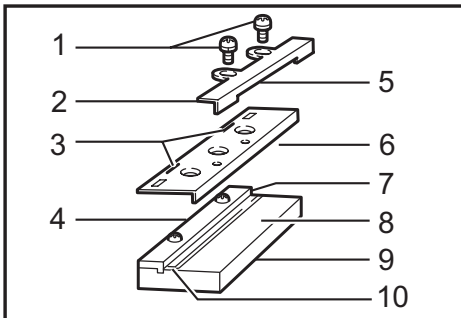
⚠ CAUTION:

- Tighten the blade installation bolts carefully when attaching the blades to the tool. A loose installation bolt can be dangerous. Always check to see they are tightened securely.
- Handle the blades very carefully. Use gloves or rags to protect your fingers or hands when removing or installing the blades.
- Use only the Makita wrench provided to remove or install the blades. Failure to do so may result in overtightening or insufficient tightening of the installation bolts. This could cause an injury.



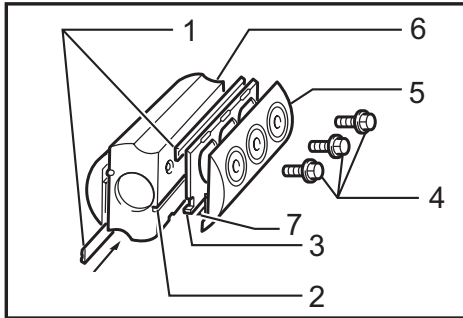
► 1. Socket wrench 2. Bolt 3. Loosen 4. Tighten

1. Remove the existing blade, if the tool has been in use, carefully clean the drum surfaces and the drum cover. To remove the blades on the drum, unscrew the three installation bolts with the socket wrench. The drum cover comes off together with the blades.



1. Pan head screw 2. Adjusting plate 3. Planer blade locating lugs 4. Gauge plate 5. Heel of adjusting plate 6. Set plate 7. Inside flank of gauge plate 8. Gauge base 9. Back side of gauge base 10. Mini planer blade
2. To install the blades, loosely attach the adjusting plate to the set plate with the pan head screws and set the mini planer blade on the gauge base so that the cutting edge of the blade is perfectly flush with the inside flank of the gauge plate.

3. Set the adjusting plate/set plate on the gauge base so that the planer blade locating lugs on the set plate rest in the mini planer blade groove, then press in the heel of the adjusting plate flush with the back side of the gauge base and tighten the pan head screws.
4. It is important that the blade sits flush with the inside flank of the gauge plate, the planer blade locating lugs sit in the blade groove and the heel of the adjusting plate is flush with the back side of the gauge base. Check this alignment carefully to ensure uniform cutting.
5. Slip the heel of the adjusting plate into the groove of the drum.

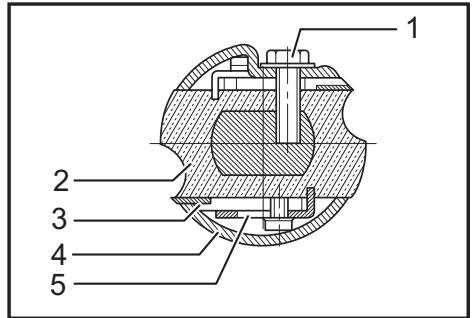


- 1. Mini planer blade 2. Groove 3. Set plate
4. Hex. flange head bolts 5. Drum cover 6. Drum
7. Adjusting plate

6. Set the drum cover over the adjusting plate/set plate and screw in the three hex flange head bolts so that a gap exists between the drum and the set plate to slide the mini planer blade into position. The blade will be positioned by the planer blade locating lugs on the set plate.
7. The blade's lengthwise adjustment will need to be manually positioned so that the blade ends are clear and equidistant from the housing on one side and the metal bracket on the other.
8. Tighten the three hex flange head bolts (with the socket wrench provided) and hand rotate the drum to check clearances between the blade ends and the tool body.
9. Check the three hex flange head bolts for final tightness.
10. Repeat procedures 1 - 9 for other blade.

Installing conventional planer blade (optional accessory)

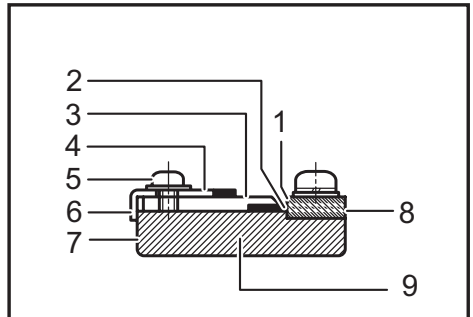
To install the blades, first clean out all chips or foreign matter adhering to the drum or blades. Use blades of the same dimensions and weight, or drum oscillation/vibration will result, causing poor planing action and, eventually, tool breakdown.



- 1. Bolts 2. Drum 3. Planer blade 4. Drum cover
5. Adjusting plate

Place the blade on the gauge base so that the blade edge is perfectly flush with the inside edge of the gauge plate. Place the adjusting plate on the blade, then simply press in the heel of the adjusting plate flush with the back side of the gauge base and tighten two screws on the adjusting plate. Now slip the heel of the adjusting plate into the drum groove, then fit the drum cover on it. Tighten all the installation bolts evenly and alternately with the socket wrench.

Repeat the above procedures for the other blade.



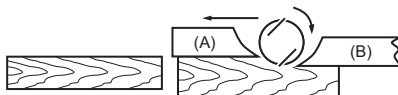
- 1. Inside edge of gauge plate 2. Blade edge
3. Planer blade 4. Adjusting plate 5. Screws
6. Heel 7. Back side of gauge base 8. Gauge plate
9. Gauge base

For the correct planer blade setting

Your planing surface will end up rough and uneven, unless the blade is set properly and securely. The blade must be mounted so that the cutting edge is absolutely level, that is, parallel to the surface of the rear base. Below are some examples of proper and improper settings.

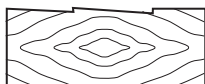
- (A) Front base (Movable shoe)
- (B) Rear base (Stationary shoe)

Correct setting



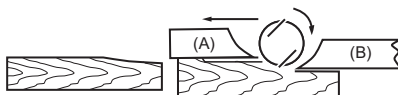
Although this side view cannot show it, the edges of the blades run perfectly parallel to the rear base surface.

Nicks in surface



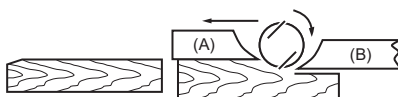
Cause: One or both blades fails to have edge parallel to rear base line.

Gouging at start



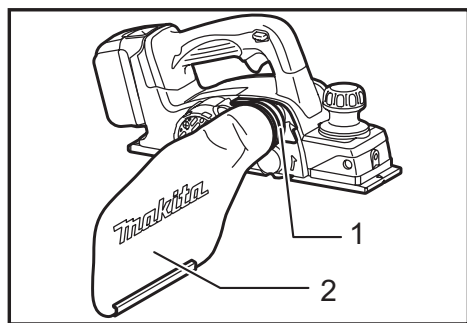
Cause: One or both blade edges fails to protrude enough in relation to rear base line.

Gouging at end



Cause: One or both blade edges protrudes too far in relation to rear base line.

Dust bag (optional accessory)



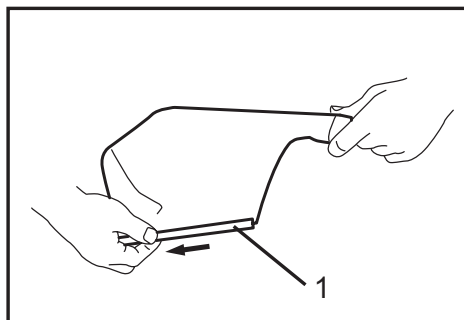
► 1. Nozzle 2. Dust bag

For tool without nozzle

Remove the chip cover and install the nozzle (optional accessory). Attach the dust bag onto the nozzle. The nozzle is tapered. When attaching the dust bag, push it onto the nozzle as far as it will go to prevent it from coming off during operation.

For tool with nozzle

Attach the dust bag onto the nozzle. The nozzle is tapered. When attaching the dust bag, push it onto the nozzle firmly as far as it will go to prevent it from coming off during operation.



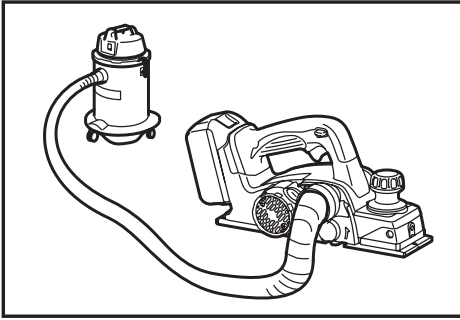
► 1. Fastener

When the dust bag is about half full, remove the dust bag from the tool and pull the fastener out. Empty the dust bag of its contents, tapping it lightly so as to remove particles adhering to the insides which might hamper further collection.

NOTE:

- If you connect a Makita vacuum cleaner to this tool, more efficient and cleaner operations can be performed.

Connecting a vacuum cleaner



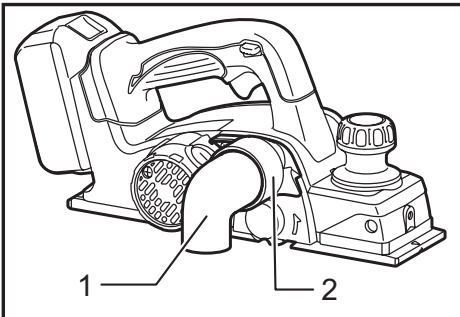
For tool without nozzle

When you wish to perform clean planing operation, connect a Makita vacuum cleaner to your tool. Before connecting the vacuum cleaner, remove the chip cover from the tool. Then connect a hose of the vacuum cleaner to the nozzle (optional accessory) as shown in the figures.

For tool with nozzle

When you wish to perform clean planing operation, connect a Makita vacuum cleaner to your tool. Then connect a hose of the vacuum cleaner to the nozzle as shown in the figures.

Elbow (optional accessory)



► 1. Elbow 2. Nozzle

Use of elbow allows change of chip discharge direction to perform cleaner work.

For tool without nozzle

Remove the chip cover and install the nozzle (optional accessory). Attach the elbow (optional accessory) on the nozzle of the tool by just slipping on it. To remove it, just pull it out.

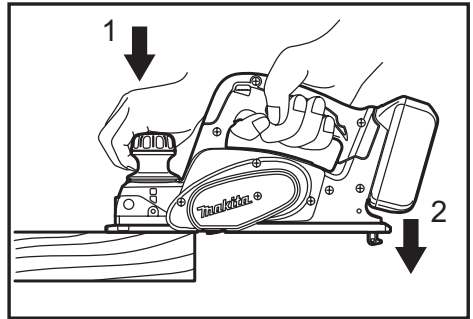
For tool with nozzle

Attach the elbow (optional accessory) on the nozzle of the tool by just slipping on it. To remove it, just pull it out.

OPERATION

Hold the tool firmly with one hand on the knob and the other hand on the switch handle when performing the tool.

Planing operation

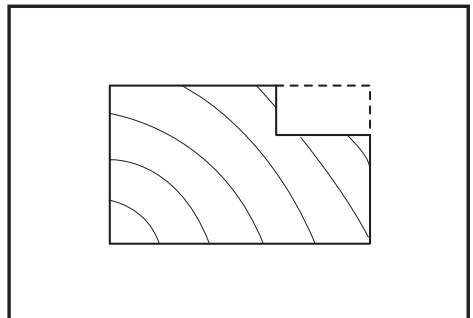


► 1. Start 2. End

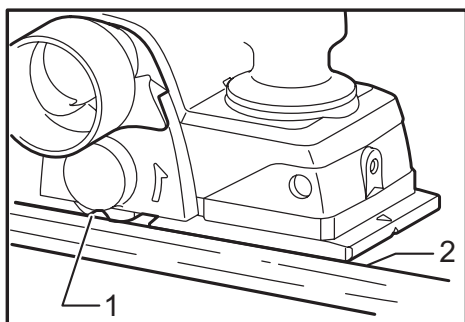
First, rest the tool front base flat upon the workpiece surface without the blades making any contact. Switch on and wait until the blades attain full speed. Then move the tool gently forward. Apply pressure on the front of tool at the start of planing, and at the back at the end of planing. Planing will be easier if you incline the workpiece in stationary fashion, so that you can plane somewhat downhill.

The speed and depth of cut determine the kind of finish. The power planer keeps cutting at a speed that will not result in jamming by chips. For rough cutting, the depth of cut can be increased, while for a good finish you should reduce the depth of cut and advance the tool more slowly.

Shiplapping (Rabbeting)

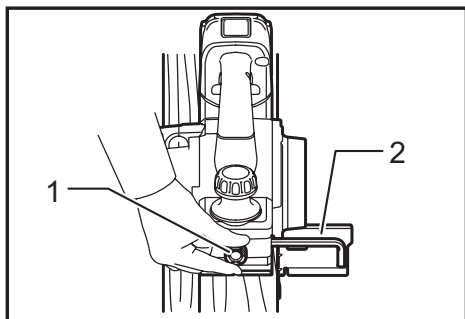


To make a stepped cut as shown in the figure, use the edge fence (guide rule) which is obtained as accessory.



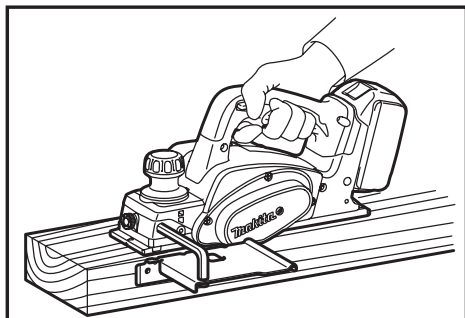
► 1. Blade edge 2. Cutting line

Draw a cutting line on the workpiece. Insert the edge fence into the hole in the front of the tool. Align the blade edge with the cutting line.



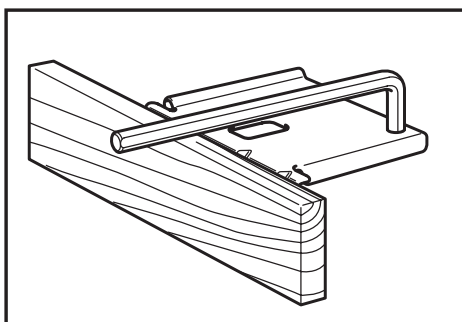
► 1. Screw 2. Edge fence (optional accessory)

Adjust the edge fence until it comes in contact with the side of the workpiece, then secure it by tightening the screw.



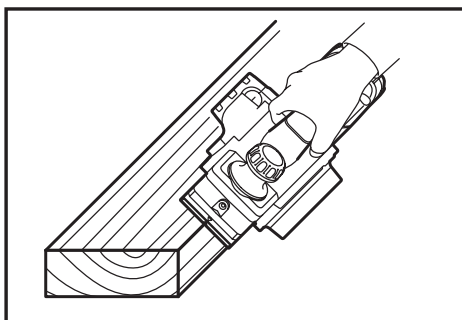
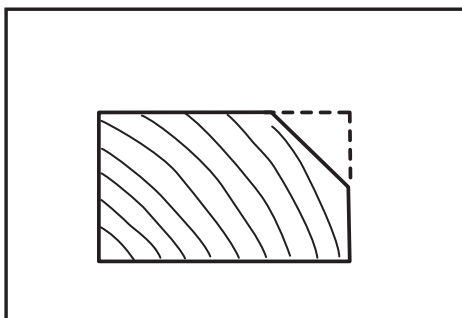
When planing, move the tool with the edge fence flush with the side of the workpiece. Otherwise uneven planing may result.

Maximum shiplapping (rabbeting) depth is 9 mm (11/32").



You may wish to add to the length of the fence by attaching an extra piece of wood. Convenient holes are provided in the fence for this purpose, and also for attaching an extension guide (optional accessory).

Chamfering



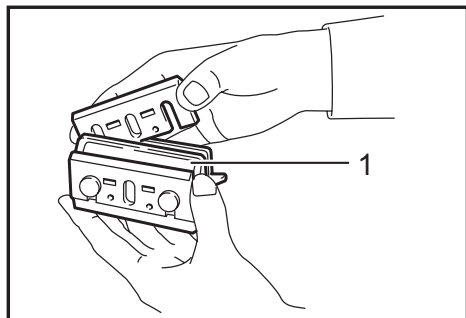
To make a chamfering cut as shown in the figure, align the "V" groove in the front base with the edge of the workpiece and plane it.

MAINTENANCE

⚠ CAUTION:

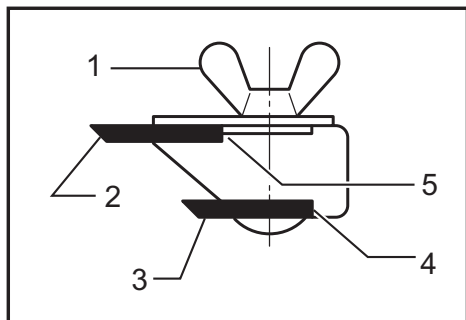
- Always be sure that the tool is switched off and the battery cartridge is removed before attempting to perform inspection or maintenance.
- Never use gasoline, benzine, thinner, alcohol or the like. Discoloration, deformation or cracks may result.

Sharpening the conventional planer blades (optional accessory)



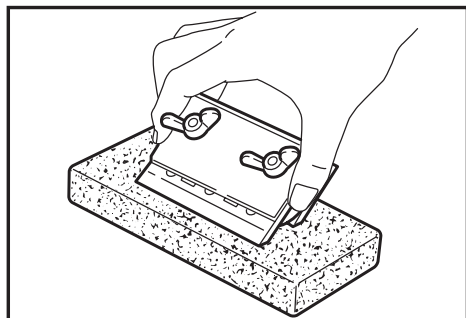
► 1. Sharpening holder

Always keep your blades sharp for the best performance possible. Use the sharpening holder (optional accessory) to remove nicks and produce a fine edge.



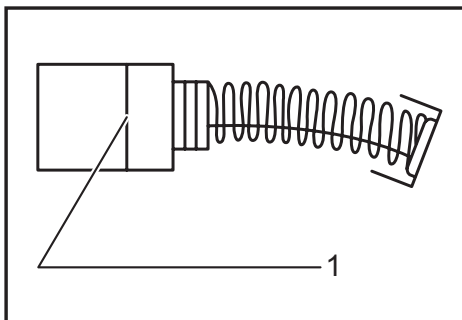
► 1. Wing nut 2. Blade (A) 3. Blade (B) 4. Side (D) 5. Side (C)

First, loosen the two wing nuts on the holder and insert the blades (A) and (B), so that they contact the sides (C) and (D). Then tighten the wing nuts. Immerse the dressing stone in water for 2 or 3 minutes before sharpening. Hold the holder so that the blades both contact the dressing stone for simultaneous sharpening at the same angle.



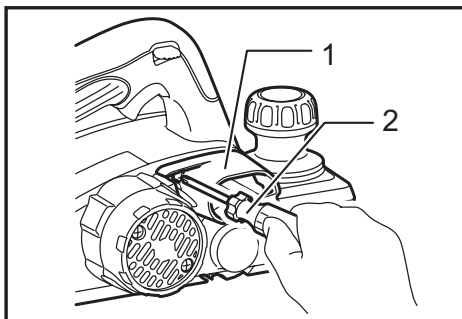
Immerse the dressing stone in water for 2 or 3 minutes before sharpening. Hold the holder so that the both blades contact the dressing stone for simultaneous sharpening at the same angle.

Replacing carbon brushes

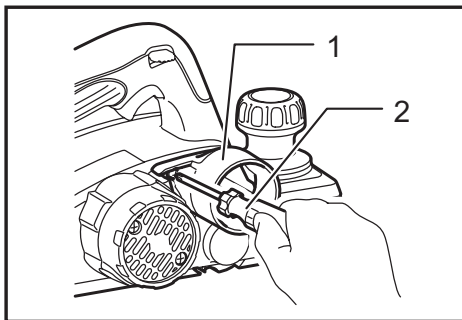


► 1. Limit mark

Remove and check the carbon brushes regularly. Replace when they wear down to the limit mark. Keep the carbon brushes clean and free to slip in the holders. Both carbon brushes should be replaced at the same time. Use only identical carbon brushes.



► 1. Chip cover 2. Screwdriver



► 1. Nozzle 2. Screwdriver

Use a screwdriver to remove the chip cover or nozzle.

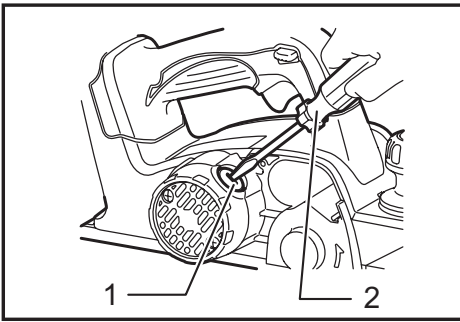
MAKITA LIMITED WARRANTY

Please refer to the annexed warranty sheet for the most current warranty terms applicable to this product. If annexed warranty sheet is not available, refer to the warranty details set forth at below website for your respective country.

United States of America: www.makitatools.com

Canada: www.makita.ca

Other countries: www.makita.com



- 1. Brush holder cap 2. Screwdriver

Use a screwdriver to remove the brush holder caps. Take out the worn carbon brushes, insert the new ones and secure the brush holder caps.

To maintain product SAFETY and RELIABILITY, repairs, any other maintenance or adjustment should be performed by Makita Authorized or Factory Service Centers, always using Makita replacement parts.

OPTIONAL ACCESSORIES

⚠ CAUTION:

- These accessories or attachments are recommended for use with your Makita tool specified in this manual. The use of any other accessories or attachments might present a risk of injury to persons. Only use accessory or attachment for its stated purpose.

If you need any assistance for more details regarding these accessories, ask your local Makita Service Center.

- High-speed steel Planer blade
- Tungsten-carbide Planer blade (For longer blade life)
- Mini planer blade
- Sharpening holder assembly
- Blade gauge
- Set plates set
- Edge fence (Guide rule)
- Extension guide set
- Dressing stone
- Nozzle
- Dust bag assembly
- Elbow
- Socket wrench
- Plastic carrying case
- Makita genuine battery and charger

NOTE:

- Some items in the list may be included in the tool package as standard accessories. They may differ from country to country.

SPÉCIFICATIONS

Modèle	DKP180	
Largeur de rabotage	82 mm (3-1/4")	
Profondeur de rabotage	2 mm (5/64")	
Profondeur de polissage d'angle	9 mm (11/32")	
Vitesse à vide (T/MIN)	15 000 /min	
Longueur totale	333 mm (13-1/8")	
Poids net	3,1 kg (6,8 lbs)	3,4 kg (7,4 lbs)
Tension nominale	C.C. 18 V	
Batteries standard	BL1815N/ BL1820/ BL1820B	BL1830/ BL1830B/ BL1840/ BL1840B/ BL1850/ BL1850B/ BL1860B

- Étant donné l'évolution constante de notre programme de recherche et de développement, les spécifications contenues dans ce manuel sont sujettes à modification sans préavis.
- Les caractéristiques techniques et la batterie peuvent varier suivant les pays.
- Poids, batterie comprise, conforme à la procédure EPTA de 01/2003

Consignes de sécurité générales pour outils électriques

⚠ MISE EN GARDE Veuillez lire toutes les mises en garde de sécurité et toutes les instructions. L'ignorance des mises en garde et des instructions comporte un risque de choc électrique, d'incendie et/ou de blessure grave.

Conservez toutes les mises en garde et instructions pour référence future.

Le terme « outil électrique » qui figure dans les avertissements fait référence à un outil électrique branché sur une prise de courant (par un cordon d'alimentation) ou alimenté par batterie (sans fil).

Sécurité de la zone de travail

1. **Maintenez la zone de travail propre et bien éclairée.** Les zones de travail encombrées ou sombres ouvrent grande la porte aux accidents.
2. **N'utilisez pas les outils électriques dans les atmosphères explosives, par exemple en présence de liquides, gaz ou poussières inflammables.** Les outils électriques produisent des étincelles au contact desquelles la poussière ou les vapeurs peuvent s'enflammer.
3. **Assurez-vous qu'aucun enfant ou curieux ne s'approche pendant que vous utilisez un outil électrique.** Vous risquez de perdre la maîtrise de l'outil si votre attention est détournée.

Sécurité en matière d'électricité

4. **Les fiches d'outil électrique sont conçues pour s'adapter parfaitement aux prises de courant. Ne modifiez jamais la fiche de quelque façon que ce soit. N'utilisez aucun adaptateur de fiche sur les outils électriques avec mise à la terre.** En ne modifiant pas les fiches et en les insérant dans des prises de courant pour lesquelles elles ont été conçues vous réduirez les risques de choc électrique.
5. **Évitez tout contact corporel avec les surfaces mises à la terre, telles que les tuyaux, radiateurs, cuisinières et réfrigérateurs.** Le risque de choc électrique est plus élevé si votre corps se trouve mis à la terre.

6. **N'exposez pas les outils électriques à la pluie ou à l'eau.** La présence d'eau dans un outil électrique augmente le risque de choc électrique.
7. **Ne maltraitez pas le cordon. N'utilisez jamais le cordon pour transporter, tirer ou débrancher l'outil électrique. Maintenez le cordon à l'écart des sources de chaleur, de l'huile, des objets à bords tranchants et des pièces en mouvement.** Le risque de choc électrique est plus élevé lorsque les cordons sont endommagés ou enchevêtrés.
8. **Lorsque vous utilisez un outil électrique à l'extérieur, utilisez un cordon prolongateur prévu à cette fin.** Les risques de choc électrique sont moindres lorsqu'un cordon conçu pour l'extérieur est utilisé.
9. **Si vous devez utiliser un outil électrique dans un endroit humide, utilisez une source d'alimentation protégée par un disjoncteur de fuite à la terre.** L'utilisation d'un disjoncteur de fuite à la terre réduit le risque de choc électrique.

Sécurité personnelle

10. **Restez alerte, attentif à vos mouvements et faites preuve de bon sens lorsque vous utilisez un outil électrique. Évitez d'utiliser un outil électrique si vous êtes fatigué ou si vous avez pris une drogue, de l'alcool ou un médicament.** Un moment d'inattention pendant l'utilisation d'un outil électrique peut entraîner une grave blessure.
11. **Portez des dispositifs de protection personnelle. Portez toujours un protecteur pour la vue.** Les risques de blessure seront moins élevés si vous utilisez des dispositifs de protection tels qu'un masque anti-poussières, des chaussures à semelle antidérapante, une coiffure résistante ou une protection d'oreilles.
12. **Évitez les démarrages accidentels. Assurez-vous que l'interrupteur soit en position d'arrêt avant de brancher l'outil à la prise électrique et/ou au bloc-piles, avant de prendre ou de transporter l'outil.** Vous ouvrez la porte aux accidents si vous transportez les outils électriques avec le doigt sur l'interrupteur ou si vous les branchez alors que l'interrupteur est en position de marche.

13. **Retirez toute clé de réglage ou de serrage avant de mettre l'outil sous tension.** Toute clé laissée en place sur une pièce rotative de l'outil électrique peut entraîner une blessure.
14. **Maintenez une bonne position. Assurez-vous d'une bonne prise au sol et d'une bonne position d'équilibre en tout temps.** Cela vous permettra d'avoir une meilleure maîtrise de l'outil dans les situations imprévues.
15. **Portez des vêtements adéquats. Ne portez ni vêtements amples ni bijoux. Vous devez maintenir cheveux, vêtements et gants à l'écart des pièces en mouvement.** Les pièces en mouvement peuvent happer les vêtements amples, les bijoux et les cheveux longs.
16. **Si des accessoires sont fournis pour raccorder un appareil d'aspiration et de collecte de la poussière, assurez-vous qu'ils sont correctement raccordés et qu'ils sont utilisés de manière adéquate.** L'utilisation d'un appareil d'aspiration permet de réduire les risques liés à la présence de poussière dans l'air.

Utilisation et entretien des outils électriques

17. **Ne forcez pas l'outil électrique. Utilisez l'outil électrique adéquat suivant le type de travail à effectuer.** Si vous utilisez l'outil électrique adéquat et respectez le régime pour lequel il a été conçu, il effectuera un travail de meilleure qualité et de façon plus sécuritaire.
18. **N'utilisez pas l'outil électrique s'il n'est pas possible de mettre sa gâchette en position de marche et d'arrêt.** Un outil électrique dont l'interrupteur est défectueux représente un danger et doit être réparé.
19. **Débranchez la fiche de la source d'alimentation et/ou retirez le bloc-piles de l'outil électrique avant d'effectuer tout réglage, de changer un accessoire ou de ranger l'outil électrique.** De telles mesures préventives réduisent les risques de démarrage accidentel de l'outil électrique.
20. **Après l'utilisation d'un outil électrique, rangez-le hors de portée des enfants et ne laissez aucune personne l'utiliser si elle n'est pas familiarisée avec l'outil électrique ou les présentes instructions d'utilisation.** Les outils électriques représentent un danger entre les mains de personnes qui n'en connaissent pas le mode d'utilisation.
21. **Veillez à l'entretien des outils électriques. Assurez-vous que les pièces mobiles ne sont pas désalignées ou coincées, qu'aucune pièce n'est cassée et que l'outil électrique n'a subi aucun dommage affectant son bon fonctionnement. Le cas échéant, faites réparer l'outil électrique avant de l'utiliser.** De nombreux accidents sont causés par des outils électriques mal entretenus.
22. **Maintenez les outils tranchants bien aiguisés et propres.** Un outil tranchant dont l'entretien est effectué correctement et dont les bords sont bien aiguisés risquera moins de se coincer et sera plus facile à maîtriser.
23. **Utilisez l'outil électrique, ses accessoires, ses embouts, etc., en respectant les présentes instructions, en tenant compte des conditions de travail et du type de travail à effectuer.** L'utilisation d'un outil électrique à des fins autres que celles prévues peut entraîner une situation dangereuse.

Utilisation et entretien des outils alimentés par batterie

24. **Pour recharger, utilisez uniquement le chargeur spécifié par le fabricant.** L'utilisation d'un chargeur conçu pour un type donné de bloc-piles comporte un risque d'incendie lorsqu'il est utilisé avec un autre type de bloc-piles.
25. **N'utilisez un outil électrique qu'avec le bloc-piles conçu spécifiquement pour cet outil.** Il y a un risque de blessure ou d'incendie si un autre bloc-piles est utilisé.
26. **Lorsque vous n'utilisez pas le bloc-piles, rangez-le à l'écart des objets métalliques tels que trombones, pièces de monnaie, clés, clous, vis ou autres petits objets métalliques qui risquent d'établir une connexion entre les bornes.** La mise en court-circuit des bornes de batterie peut causer des brûlures ou un incendie.

27. **Dans des conditions d'utilisation inadéquates de la batterie, il peut y avoir fuite d'électrolyte; évitez tout contact avec ce liquide. En cas de contact accidentel, rincez avec beaucoup d'eau. Si le liquide pénètre dans vos yeux, il faut aussi consulter un médecin.** L'électrolyte qui s'échappe de la batterie peut causer des irritations ou des brûlures.

Réparation

28. **Faites réparer votre outil électrique par un réparateur qualifié qui utilise des pièces de rechange identiques aux pièces d'origine.** Le maintien de la sûreté de l'outil électrique sera ainsi assuré.
29. **Suivez les instructions de lubrification et de changement des accessoires.**
30. **Maintenez les poignées de l'outil sèches, propres et exemptes d'huile ou de graisse.**

CONSIGNES DE SÉCURITÉ POUR LE RABOT SANS FIL

1. **Attendez l'arrêt de l'outil tranchant avant de déposer l'outil.** S'il est en rotation, l'outil tranchant exposé pourrait pénétrer dans la surface de la pièce, ce qui comporte un risque de perte de maîtrise de l'outil et peut causer de graves blessures.
2. **Immobilisez le matériau sur une surface stable au moyen de brides ou de toute autre façon adéquate.** Le fait de tenir la pièce avec la main ou contre votre corps offre une stabilité insuffisante et peut entraîner une perte de maîtrise de l'outil.
3. **Ne laissez jamais de chiffons, linges, cordons, cordes et objets similaires dans la zone de travail.**
4. **Évitez les clous.** Avant de travailler votre pièce, inspectez-la et retirez-en tous les clous.
5. **N'utilisez que des fers bien affûtés. Manipulez les fers de façon très prudente.**
6. **Assurez-vous que les boulons de maintien des fers sont bien serrés avant d'utiliser l'outil.**
7. **Tenez l'outil fermement à deux mains.**
8. **Gardez les mains éloignées des pièces en rotation.**
9. **Avant d'utiliser l'outil sur la pièce, laissez-le tourner à vide un instant. Soyez attentif à toute vibration ou sautellement pouvant indiquer que la lame n'est pas bien installée ou est mal équilibrée.**

10. Assurez-vous que la lame n'entre pas en contact avec la pièce avant de mettre l'outil sous tension.
11. Attendez que la lame atteigne sa pleine vitesse avant de procéder à la coupe.
12. Avant de procéder à tout travail de réglage, coupez toujours le contact de l'outil et attendez son arrêt complet.
13. N'insérez jamais les doigts dans l'orifice d'évacuation des copeaux. Il se peut qu'il se bouche lorsque vous coupez du bois humide. Retirez alors les copeaux avec un bout de bâton.
14. N'abandonnez pas l'outil alors qu'il tourne. Ne faites fonctionner l'outil qu'une fois que vous l'avez bien en main.
15. Changez toujours les deux fers ou contre-fers du bloc de coupe, en même temps, sinon cela entraînera un déséquilibre qui provoquera des vibrations et réduira la durée de service de l'outil.
16. N'utilisez que les fers Makita spécifiés dans le présent manuel d'instructions.
17. Utilisez toujours un masque antipoussières ou un masque filtrant approprié au matériau à travailler et à l'outil utilisé.
3. Cessez immédiatement l'utilisation si le temps de fonctionnement devient excessivement court. Il y a risque de surchauffe, de brûlures, voire d'explosion.
4. Si l'électrolyte pénètre dans vos yeux, rincez-les à l'eau claire et consultez immédiatement un médecin. Il y a risque de perte de la vue.
5. Ne court-circuitez pas la batterie :
 - (1) Ne touchez les bornes avec aucun matériau conducteur.
 - (2) Évitez de ranger la batterie dans un conteneur avec d'autres objets métalliques, par exemple des clous, des pièces de monnaie, etc.
 - (3) Évitez d'exposer la batterie à l'eau ou à la pluie.

Un court-circuit de la batterie pourrait provoquer un fort courant, une surchauffe, parfois des brûlures et même une panne.
6. Ne rangez pas l'outil ou la batterie dans des endroits où la température risque d'atteindre ou de dépasser 50°C (122°F).
7. Ne jetez pas la batterie au feu même si elle est sérieusement endommagée ou complètement épuisée. La batterie peut exploser au contact du feu.
8. Prenez garde d'échapper ou de heurter la batterie.
9. N'utilisez pas une batterie si elle est endommagée.
10. Suivez la réglementation locale concernant la mise au rebut de la batterie.

CONSERVEZ CE MODE D'EMPLOI.

⚠ MISE EN GARDE : NE VOUS LAISSEZ PAS tromper (au fil d'une utilisation répétée) par un sentiment d'aisance ou de familiarité avec le produit en négligeant les consignes de sécurité qui accompagnent le produit.
UNE UTILISATION INCORRECTE ou le non-respect des règles de sécurité énoncées dans le présent manuel d'instructions peut provoquer des blessures graves.

Symboles

Les symboles utilisés pour l'outil sont indiqués ci-dessous.

V	volts
— — —	courant continu
n _o	vitesse à vide
... /min r /min	tours ou alternances par minute

CONSIGNES DE SÉCURITÉ IMPORTANTES

POUR LA BATTERIE

1. Avant d'utiliser la batterie, lisez toutes les instructions et précautions relatives (1) au chargeur de batterie, (2) à la batterie, et (3) à l'outil utilisant la batterie.
2. Ne démontez pas la batterie.

CONSERVEZ CE MODE D'EMPLOI.

⚠ ATTENTION : Utilisez uniquement des batteries Makita d'origine.

L'utilisation de batteries autres que les batteries d'origine Makita ou de batteries qui ont été modifiées peut entraîner l'explosion de la batterie et provoquer des incendies, blessures et autres dommages. Cela annulerait également la garantie de Makita s'appliquant à l'outil Makita et au chargeur.

Conseils pour obtenir la durée de service maximale de la batterie

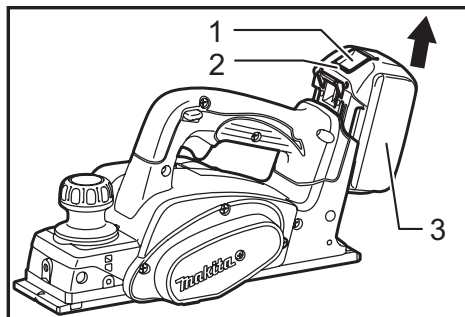
1. Rechargez la batterie avant qu'elle ne soit complètement déchargée.
Arrêtez toujours l'outil et rechargez la batterie quand vous remarquez que la puissance de l'outil diminue.
2. Ne rechargez jamais une batterie complètement chargée.
La surcharge réduit la durée de service de la batterie.
3. Rechargez la batterie à une température ambiante comprise entre 10°C et 40°C (50°F - 104°F). Si la batterie est chaude, laissez-la refroidir avant de la recharger.
4. Rechargez la batterie si vous ne l'utilisez pas pendant une période prolongée (plus de six mois).

DESCRIPTION DU FONCTIONNEMENT

⚠ ATTENTION :

- Assurez-vous toujours que l'outil est hors tension et que sa batterie est retirée avant de l'ajuster ou de vérifier son fonctionnement.

Installation ou retrait de la batterie



► 1. Bouton 2. Indicateur rouge 3. Batterie

⚠ ATTENTION :

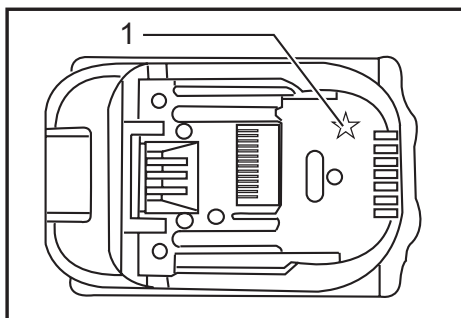
- Mettez toujours l'appareil hors tension avant d'installer ou de retirer la batterie.
- **Tenez fermement l'outil et la batterie lors de l'installation ou du retrait de cette dernière.** Sinon, l'outil et la batterie pourraient vous glisser des mains, ce qui risque d'endommager l'outil et la batterie, ou encore de provoquer des blessures.

Pour retirer la batterie, faites-la glisser de l'outil tout en faisant glisser le bouton se trouvant à l'avant.
Pour installer la batterie, alignez sa languette sur la rainure pratiquée dans le boîtier, et glissez la batterie en place. Insérez-la à fond jusqu'à ce que vous entendiez un clic. Si vous pouvez voir l'indicateur rouge situé sur le dessus du bouton, la batterie n'est pas complètement verrouillée.

⚠ ATTENTION :

- Installez toujours la batterie à fond jusqu'à ce que vous ne puissiez plus voir l'indicateur rouge. Dans le cas contraire, elle pourrait tomber de l'outil et entraîner des blessures.
- Ne forcez pas sur la batterie pour l'installer. Si la batterie ne glisse pas facilement, c'est qu'elle n'est pas insérée correctement.

Système de protection de la batterie (batterie lithium-ion marquée d'une étoile)



► 1. Étoile

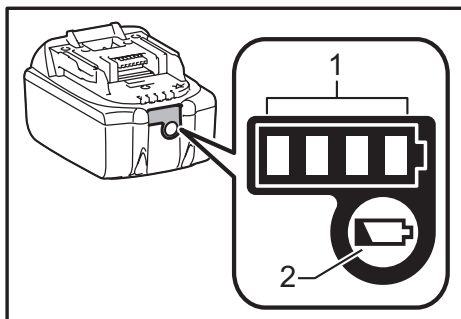
Les batteries lithium-ion marquées d'une étoile sont équipées d'un système de protection. Ce système coupe automatiquement l'alimentation de l'outil pour augmenter la durée de vie de la batterie.

L'outil s'arrête automatiquement pendant l'utilisation lorsque l'outil et/ou la batterie sont dans l'une des situations suivantes :

- En surcharge :
L'outil est utilisé d'une manière entraînant une consommation anormale de courant. Dans cette situation, relâchez la gâchette et arrêtez l'activité qui entraîne une surcharge de l'outil. Puis appuyez de nouveau sur la gâchette pour redémarrer.
Si l'outil ne démarre pas, la batterie est en surchauffe. Dans cette situation, laissez refroidir la batterie avant d'appuyer de nouveau sur la gâchette.
- Tension de la batterie faible :
La capacité restante de la batterie est trop faible pour que l'outil puisse fonctionner. Dans cette situation, retirez et rechargez la batterie.

Affiche la capacité restante de la batterie

(Uniquement pour les batteries dont le numéro de modèle se termine par « B ».)



► 1. Témoins 2. Bouton CHECK

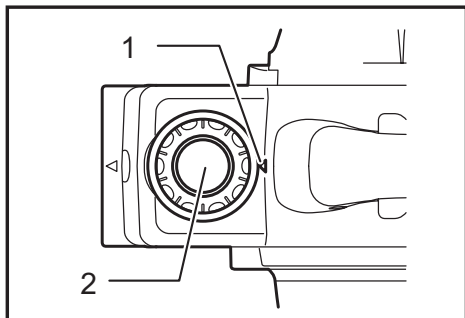
Appuyez sur le bouton de vérification sur la batterie pour afficher la capacité résiduelle de la batterie. Les témoins s'allument pendant quelques secondes.

Témoins			Capacité résiduelle
Allumé	ARRÊT	Clignotement	
■	□	◻	75 % à 100 %
■	■	□	50 % à 75 %
■	□	□	25 % à 50 %
■	□	□	0 % à 25 %
◻	□	□	Chargez la batterie.
■	□	□	La batterie peut avoir présenté un défaut de fonctionnement.
□	□	■	

NOTE :

- Selon les conditions d'utilisation et la température ambiante, il est possible que la capacité relevée soit légèrement différente par rapport à la capacité réelle.

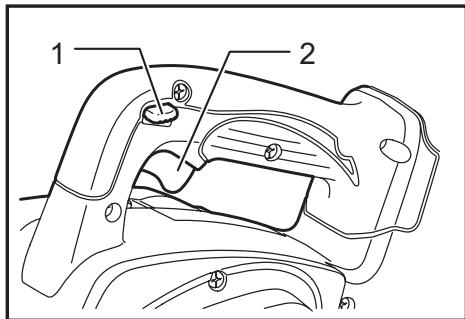
Réglage de la profondeur de coupe



► 1. Index 2. Bouton

Pour régler la profondeur de coupe, il suffit de tourner le bouton à l'avant de l'outil, de sorte que le pointeur indique la profondeur de coupe désirée.

Interrupteur



► 1. Levier de sécurité 2. Gâchette

⚠ ATTENTION :

- Avant d'installer la batterie dans l'outil, vérifiez toujours si la gâchette fonctionne correctement et si elle revient en position « OFF » quand vous la relâchez.
- N'appuyez pas fortement sur la gâchette avant d'avoir enfoncé le levier de déverrouillage. Vous risqueriez de casser l'interrupteur.

Un levier de sécurité est fourni pour prévenir la pression accidentelle sur la gâchette. Pour faire démarrer l'outil, faites glisser le levier de sécurité puis appuyez sur la gâchette. Pour l'arrêter, relâchez la gâchette.

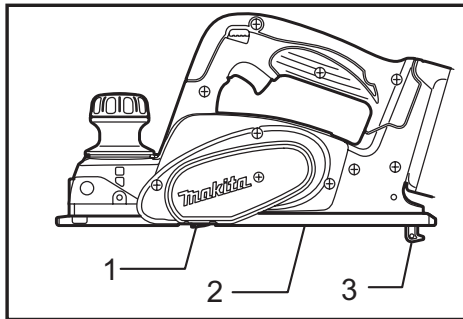
⚠ MISE EN GARDE :

- Pour votre sécurité, cet outil est équipé d'un levier de déverrouillage qui prévient le démarrage accidentel de l'outil. NE JAMAIS utiliser l'outil s'il se met en marche lorsque vous appuyez simplement sur la gâchette sans avoir tiré sur le levier de déverrouillage. Retournez l'outil à un centre de service après-vente Makita pour le faire réparer AVANT toute nouvelle utilisation.
- Le levier de déverrouillage ne doit JAMAIS être immobilisé avec du ruban adhésif, ni modifié.

Un bouton de sécurité est fourni pour prévenir la pression accidentelle sur la gâchette.

Pour mettre l'outil en marche, enfoncez le bouton de sécurité puis appuyez sur la gâchette. Pour l'arrêter, relâchez la gâchette.

Pied



► 1. Fer de rabot 2. Socle arrière 3. Pied

Une fois la coupe terminée, soulevez la partie arrière de l'outil pour que l'un des pieds se trouve sous le niveau du socle arrière. Cela prévient l'endommagement des fers de l'outil.

ASSEMBLAGE

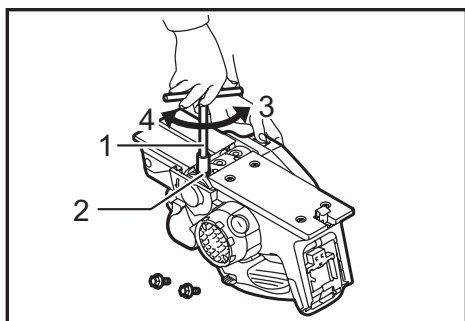
⚠ ATTENTION :

- Assurez-vous toujours que l'outil est hors tension et que sa batterie est retirée avant d'effectuer tout travail dessus.

Retrait ou installation des tranchants du fer

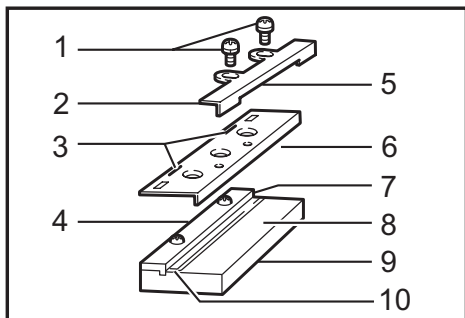
⚠ ATTENTION :

- Serrez soigneusement les boulons de maintien lorsque vous fixez les fers à l'outil. Un boulon mal serré représente un danger. Assurez-vous toujours qu'ils sont fermement serrés.
- Manipulez les fers de façon très prudente. Portez des gants ou utilisez un chiffon pour protéger vos doigts ou mains lors du retrait ou de l'installation des fers.
- Utilisez exclusivement la clé Makita fournie pour retirer ou installer les fers. Sinon, les boulons de maintien risquent d'être trop ou pas assez serrés. Cela comporte un risque de blessure.



► 1. Clé à douille 2. Boulon 3. Desserrer 4. Serrer

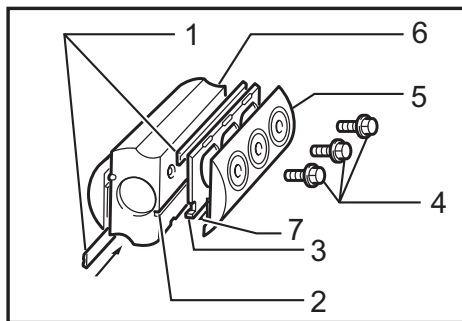
1. Retirez le fer en service, et si l'outil a fonctionné, nettoyez soigneusement les surfaces du bloc de coupe et les contre-fers. Pour retirer les fers du bloc de coupe, dévissez les trois boulons de maintien avec la clé à douille. Le contre-fer se défait avec les fers.



► 1. Vis Phillips 2. Plaque de réglage 3. Ergots de positionnement du fer de rabot 4. Plaque de gabarit 5. Talon de la plaque de réglage 6. Plaque de fixation 7. Surface intérieure de la plaque de gabarit 8. Base du gabarit 9. Côté arrière de la base du gabarit 10. Tranchant du fer de rabot

2. Pour installer les fers, fixez provisoirement l'équerre de réglage sur la plaque de fixation avec les vis phillips et fixez le tranchant du fer sur la base du gabarit de façon que le bord tranchant du fer soit en contact parfait avec la surface intérieure de la plaque de gabarit.

3. Positionnez l'équerre de réglage et la plaque de fixation sur la base du gabarit, de manière que les ergots de positionnement du fer sur la plaque de fixation se logent dans la rainure du tranchant, puis poussez le talon de l'équerre de réglage contre le côté arrière de la base du gabarit, et serrez les vis phillips.
4. Il est très important que le tranchant soit en contact parfait avec la surface intérieure de la plaque de gabarit, que les ergots de positionnement du tranchant du fer soient dans la rainure du tranchant et que le talon de l'équerre de réglage soit en contact parfait avec le côté arrière de la base du gabarit. Vérifiez ces trois points avec soin pour assurer une coupe uniforme.
5. Placez le talon de l'équerre de réglage dans la rainure du bloc de coupe.

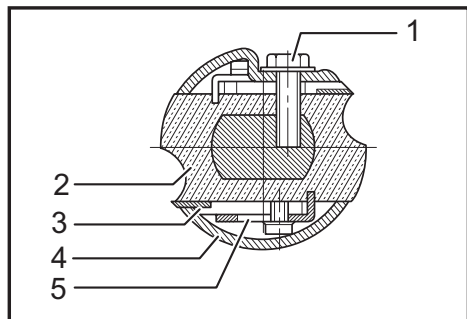


► 1. Tranchant du fer de rabot 2. Rainure 3. Plaque de fixation 4. Boulons à tête hexagonale avec embase 5. Contre-fer 6. Bloc de coupe 7. Plaque de réglage

6. Mettez le contre-fer sur l'équerre de réglage et la plaque de fixation et vissez les trois boulons à tête hexagonale en ménageant un espace entre le bloc de coupe et la plaque de fixation pour y glisser le tranchant du fer. Le fer sera mis en position au moyen des ergots de positionnement du fer sur la plaque de fixation.
7. Le positionnement du tranchant dans le sens de la longueur se fera à la main, de façon que les extrémités du tranchant soient à égale distance du carter, d'un côté, et du support en métal, de l'autre.
8. Serrez à fond les trois boulons à tête hexagonale (avec la clé à douille fournie) et faites tourner le bloc de coupe à la main pour vérifier l'espace libre entre les extrémités du tranchant et le corps de l'outil.
9. Vérifiez encore une fois le serrage final des trois boulons à tête hexagonale épaulée.
10. Répétez les opérations 1 à 9 pour l'autre tranchant.

Installation des fers classiques (accessoire en option)

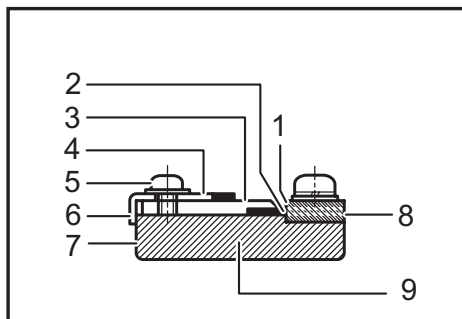
Pour installer les fers, commencez par enlever tous les copeaux et autres matières adhérant au bloc de coupe ou aux fers. Utilisez des fers de dimensions et de poids identiques, faute de quoi cela provoquera des oscillations/vibrations du bloc de coupe qui entraîneront un rabotage défectueux ou même une panne de l'outil.



- 1. Boulons 2. Bloc de coupe 3. Fer de rabot
4. Contre-fer 5. Plaque de réglage

Placez le fer sur la base du gabarit de sorte que le bord du fer entre parfaitement en contact avec le bord intérieur de la plaque de gabarit. Placez l'équerre de réglage sur le fer, puis poussez simplement le talon de l'équerre de réglage contre le côté arrière de la base du gabarit, puis serrez les deux vis de l'équerre de réglage. Faites alors glisser le talon de l'équerre de réglage dans l'entaille du bloc de coupe, puis recouvrez ce dernier du contre-fer. Serrez de manière égale et alternée tous les boulons de maintien avec la clé à douille.

Répétez les opérations décrites ci-dessus pour l'autre fer.



- 1. Bord intérieur de la plaque de gabarit 2. Bord du fer 3. Fer de rabot 4. Plaque de réglage 5. Vis
6. Talon 7. Côté arrière de la base du gabarit 8. Plaque de gabarit 9. Base du gabarit

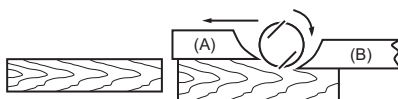
Pour une pose correcte des fers

La surface rabotée présentera des aspérités et ne sera pas plane si le fer n'est pas bien fixé. Il doit être monté de manière que le bord de coupe soit absolument de niveau, c'est à dire parallèle à la surface de la semelle arrière. Voir ci-dessous quelques exemples de poses correctes et incorrectes.

(A) Semelle avant (sabot movable)

(B) Semelle arrière (sabot fixe)

Pose correcte



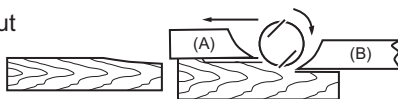
Bien que cette vue latérale ne le montre pas, les bords du fer B666 sont parfaitement parallèles à la surface de la semelle arrière.

Crantage à la surface



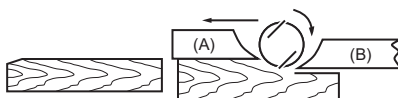
Cause: le bord d'un des fers ou des deux fers n'est pas parallèle à la ligne de la semelle arrière.

Gougeage au début



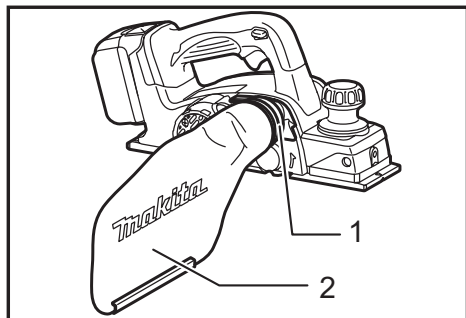
Cause: le bord d'un des fers ou des deux fers ne dépasse pas assez par rapport à la ligne de la semelle arrière.

Gougeage à la fin



Cause: le bord d'un des fers ou des deux fers dépasse trop par rapport à la semelle arrière.

Sac à poussière (accessoire en option)



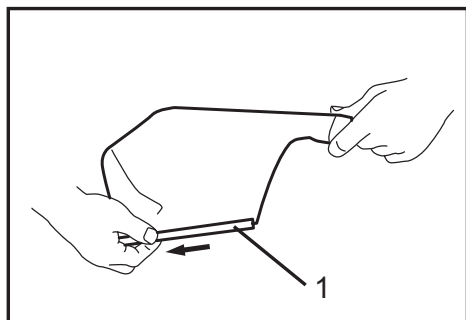
► 1. Buse 2. Sac à poussières

Pour l'outil sans buse

Retirez le couvercle à copeaux, puis installez la buse (accessoire en option). Fixez le sac à poussière sur la buse. La buse présente une forme conique. Pour fixer le sac à poussière, poussez-le fermement sur la buse, aussi loin que possible, pour éviter qu'il ne se détache pendant l'utilisation.

Pour l'outil avec buse

Fixez le sac à poussière sur la buse. La buse présente une forme conique. Pour fixer le sac à poussière, poussez-le fermement sur la buse, aussi loin que possible, pour éviter qu'il ne se détache pendant l'utilisation.



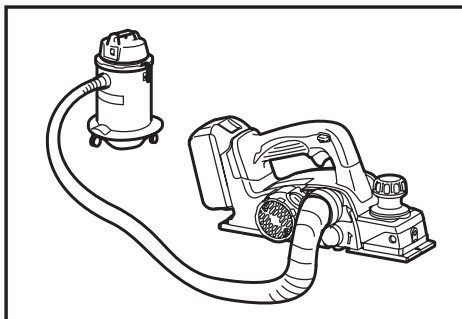
► 1. Pièce de fixation

Lorsque le sac à poussières est environ à moitié plein, retirez-le de l'outil et tirez sur l'agrafe. Videz le sac à poussières, en le tapant légèrement pour retirer les particules qui adhèrent à sa surface intérieure et risqueraient de faire obstacle à la collecte des poussières par la suite.

NOTE :

- Vous pouvez effectuer un travail plus efficace et plus propre en raccordant un aspirateur Makita à cet outil.

Raccordement à un aspirateur



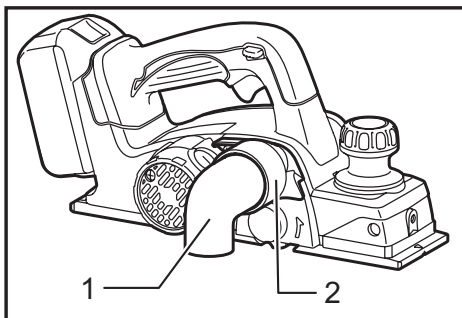
Pour l'outil sans buse

Pour un travail de rabotage plus propre, branchez un aspirateur Makita à cet outil. Avant de brancher l'aspirateur, retirez le couvercle à copeaux de l'outil. Branchez ensuite le tuyau de l'aspirateur à la buse (accessoire en option) tel qu'illustré.

Pour l'outil avec buse

Pour un travail de rabotage plus propre, branchez un aspirateur Makita à cet outil. Raccordez ensuite le tuyau de l'aspirateur à la buse, tel qu'illustré.

Coude (accessoire en option)



► 1. Coude 2. Buse

L'utilisation du coude permet de changer le sens de la chute à copeaux afin d'effectuer un travail plus propre.

Pour l'outil sans buse

Retirez le couvercle à copeaux, puis installez la buse (accessoire en option). Glissez simplement le coude (accessoire en option) sur l'outil pour le fixer. Pour l'enlever, tirez simplement dessus.

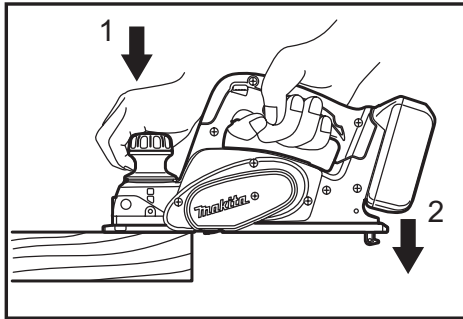
Pour l'outil avec buse

Glissez simplement le coude (accessoire en option) sur l'outil pour le fixer. Pour l'enlever, tirez simplement dessus.

UTILISATION

Tenez fermement l'outil en plaçant une main sur le bouton et l'autre sur la poignée de l'interrupteur lorsque vous utilisez l'outil.

Rabotage

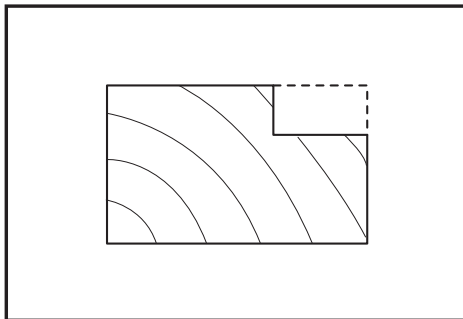


► 1. Début 2. Fin

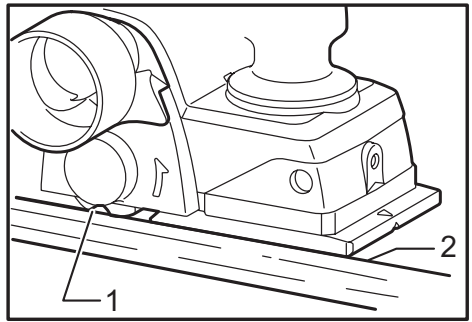
Tout d'abord, faites reposer la semelle avant de l'outil sur la pièce à travailler sans que les fers ne soient au contact. Mettez le contact et attendez que les fers aient atteint leur pleine vitesse. Déplacez ensuite doucement l'outil vers l'avant. Pressez sur l'avant de l'outil en début de rabotage, et sur l'arrière en fin de rabotage. Le rabotage se fera plus aisément si vous fixez la pièce à travailler de façon inclinée de manière à raboter de haut en bas.

La vitesse et la profondeur de rabotage déterminent la qualité du fini. Le rabot électrique coupe à une vitesse qui ne permet pas l'obturation par les copeaux. Pour le gros coupage, vous pouvez accroître la profondeur de rabotage, alors que pour un fini régulier, vous devez la réduire et faire avancer l'outil plus lentement.

Polissage d'angle (feuillure)

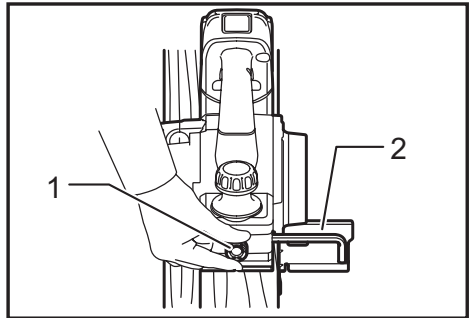


Pour réaliser une coupe en escalier comme illustré, utilisez le garde latéral (règle guide) vendu séparément.



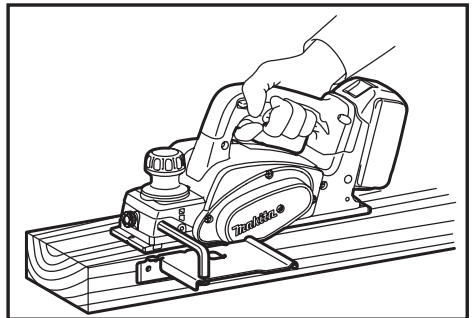
► 1. Bord du fer 2. Ligne de coupe

Portez le tracé de découpage sur la pièce à travailler. Introduisez le garde latéral dans le trou situé à l'avant de l'outil. Faites coïncider le bord du fer avec le tracé de découpage.



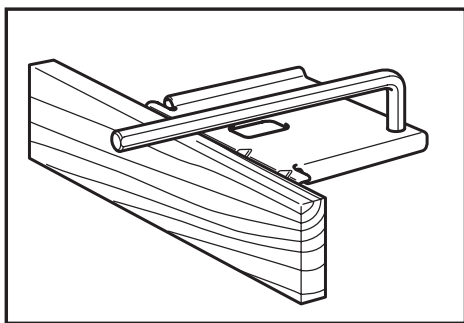
► 1. Vis 2. Garde latéral (accessoire en option)

Ajustez le garde latéral jusqu'à ce qu'il entre en contact avec le côté de la pièce, puis immobilisez-le en serrant la vis.



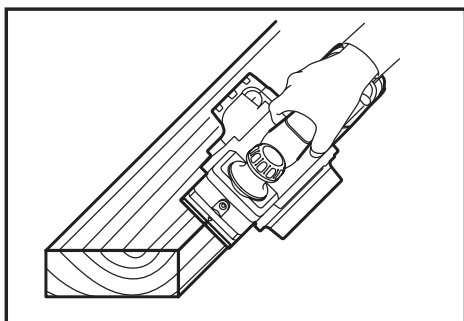
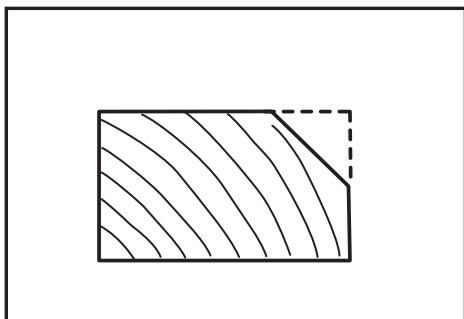
Pour raboter, déplacez l'outil avec le garde latéral au ras du côté de la pièce. Faute de quoi, vous risquez d'obtenir un rabotage inégal.

La profondeur maximale de polissage d'angle (feuillure) est 9 mm (11/32").



Il se peut que vous deviez rallonger le garde latéral en fixant également une pièce de bois. Des orifices très pratiques sont prévus à cet effet, ainsi que pour fixer un guide de rallonge (accessoire en option).

Chanfreinage



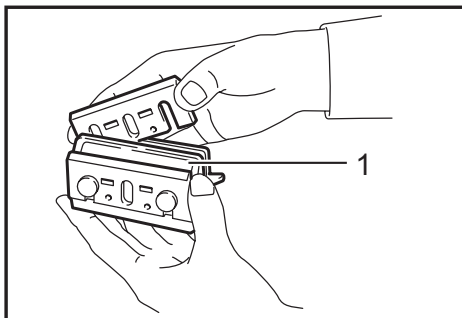
Pour effectuer une coupe en chanfrein de la façon indiquée sur la figure, alignez l'entaille "V" de la semelle avant sur le bord de la pièce puis procédez au rabotage.

ENTRETIEN

ATTENTION :

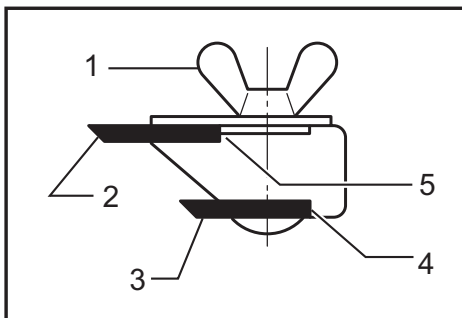
- Assurez-vous toujours que l'outil est hors tension et que la batterie est retirée avant d'y effectuer tout travail d'inspection ou d'entretien.
- N'utilisez jamais d'essence, de benzine, de solvant, d'alcool ou d'autres produits similaires. Une décoloration, une déformation, ou la formation de fissures peuvent en découler.

Affûtage des fers classiques (accessoire en option)



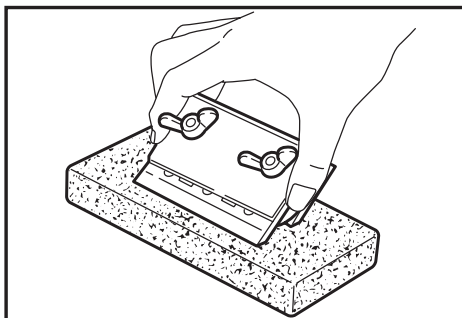
► 1. Support d'affûtage

Gardez toujours vos fers bien affûtés afin d'obtenir une efficacité maximum. Utilisez le porte-fer d'affûtage (accessoire en option) pour supprimer les crans et avoir le tranchant le plus fin.



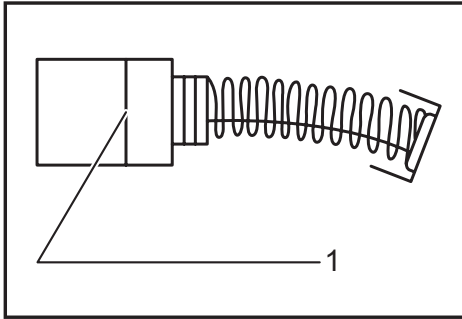
► 1. Écrou à oreilles 2. Rabot (A) 3. Rabot (B) 4. Côté (D) 5. Côté (C)

Tout d'abord relâchez les deux écrous à oreilles du porte-fer et insérez les fers (A) et (B), de sorte qu'ils soient au contact des faces (C) et (D). Serrez ensuite les écrous. Immergez dans l'eau la pierre à affûter 2 ou 3 minutes avant d'affûter. Tenez le porte-fer de façon que les deux fers soient au contact de la pierre et que l'affûtage se fasse simultanément et selon le même angle.



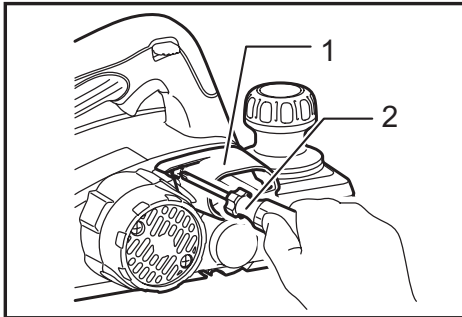
Immergez la pierre d'affûtage dans l'eau pendant 2 ou 3 minutes avant d'affûter. Tenez le porte-fer de façon à mettre les deux fers en contact avec la pierre d'affûtage pour obtenir un affûtage simultané au même angle.

Remplacement des charbons

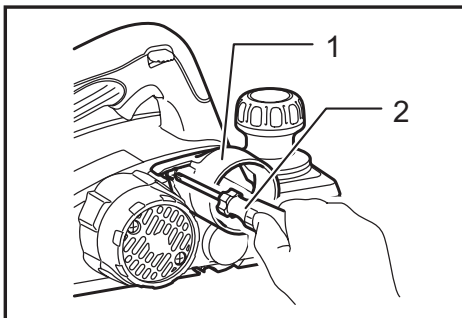


► 1. Trait de limite d'usure

Retirez et vérifiez régulièrement les charbons. Remplacez-les lorsqu'ils sont usés jusqu'au trait de limite d'usure. Maintenez les charbons propres et en état de glisser aisément dans les porte-charbon. Les deux charbons doivent être remplacés en même temps. N'utilisez que des charbons identiques.

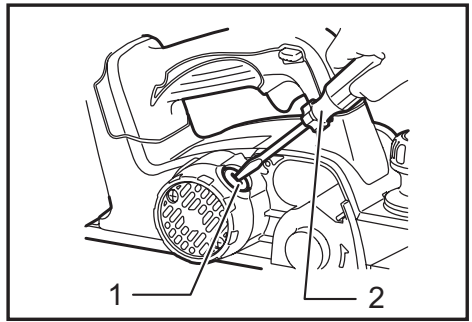


► 1. Couvercle à copeaux 2. Tournevis



► 1. Buse 2. Tournevis

Utilisez un tournevis pour retirer le couvercle à copeaux ou la buse.



► 1. Bouchon de porte-charbon 2. Tournevis

Utilisez un tournevis pour retirer les bouchons de porte-charbon. Enlevez les charbons usés, insérez-en de nouveaux et revissez solidement les bouchons de porte-charbon. Pour maintenir la SÉCURITÉ et la FIABILITÉ du produit, les réparations, tout autre travail d'entretien ou de réglage doivent être effectués dans un centre de service Makita agréé ou un centre de service de l'usine Makita, exclusivement avec des pièces de rechange Makita.

ACCESSOIRES EN OPTION

⚠ ATTENTION :

- Ces accessoires ou pièces complémentaires sont recommandés pour l'utilisation avec l'outil Makita spécifié dans ce mode d'emploi. L'utilisation de tout autre accessoire ou pièce complémentaire peut comporter un risque de blessure. N'utilisez les accessoires ou pièces qu'aux fins auxquelles ils ont été conçus.

Si vous désirez obtenir plus de détails concernant ces accessoires, veuillez contacter le centre de service après-vente Makita le plus près.

- Fer de rabot en acier pour rabotage rapide
- Fer de rabot en carbure de tungstène (pour une durée de service prolongée des fers)
- Tranchant du fer de rabot
- Ensemble de porte-fer d'affûtage
- Gabarit de fer
- Mettez la plaque de fixation
- Garde latéral (règle guide)
- Ensemble de guide de rallonge
- Pierre à aiguiser
- Buse
- Ensemble de sac à poussière
- Coude
- Clé à douille
- Mallette de transport en plastique
- Chargeur et batterie authentiques Makita

NOTE :

- Certains éléments de la liste peuvent être inclus avec l'outil comme accessoires standard. Ils peuvent varier suivant les pays.

GARANTIE LIMITÉE MAKITA

Pour les conditions de garantie en vigueur qui s'appliquent à ce produit, veuillez vous reporter à la feuille de garantie en annexe. Si la feuille de garantie en annexe n'est pas disponible, reportez-vous aux détails de la garantie présentés sur le site Web de votre pays, ci-dessous.

États-Unis d'Amérique: www.makitatools.com

Canada: www.makita.ca

Autres pays: www.makita.com

ESPECIFICACIONES

Modelo	DKP180	
Ancho de cepillado	82 mm (3-1/4")	
Profundidad de cepillado	2 mm (5/64")	
Profundidad de rebajado	9 mm (11/32")	
Velocidad sin carga (r.p.m.)	15 000 r/min	
Longitud total	333 mm (13-1/8")	
Peso neto	3,1 kg (6,8 lbs)	3,4 kg (7,4 lbs)
Tensión nominal	18 V c.c.	
Cartuchos de batería estándar	BL1815N/ BL1820/ BL1820B	BL1830/ BL1830B/ BL1840/ BL1840B/ BL1850/ BL1850B/ BL1860B

- Debido a nuestro programa continuo de investigación y desarrollo, las especificaciones aquí dadas están sujetas a cambios sin previo aviso.
- Las especificaciones y el cartucho de la batería pueden variar de país a país.
- Peso de acuerdo al procedimiento de EPTA-01/2003 incluyendo el cartucho de la batería

Advertencias de seguridad generales para herramientas eléctricas

⚠ADVERTENCIA: lea todas las advertencias de seguridad e instrucciones. Si no sigue todas las advertencias e instrucciones indicadas a continuación, podrá ocasionar una descarga eléctrica, un incendio y/o lesiones graves.

Guarde todas las advertencias e instrucciones para su futura referencia.

El término "herramienta eléctrica" se refiere, en todas las advertencias que aparecen a continuación, a su herramienta eléctrica de funcionamiento con conexión a la red eléctrica (con cableado eléctrico) o herramienta eléctrica de funcionamiento a batería (inalámbrica).

Seguridad en el área de trabajo

1. **Mantenga el área de trabajo limpia y bien iluminada.** Las áreas oscuras o desordenadas son propensas a accidentes.
2. **No utilice las herramientas eléctricas en atmósferas explosivas, tal como en la presencia de líquidos, gases o polvo inflamables.** Las herramientas eléctricas crean chispas que pueden prender fuego al polvo o los humos.
3. **Mantenga a los niños y curiosos alejados mientras utiliza una herramienta eléctrica.** Las distracciones le pueden hacer perder el control.

Seguridad eléctrica

4. **Las clavijas de conexión de las herramientas eléctricas deberán encajar perfectamente en la toma de corriente. No modifique nunca la clavija de conexión de ninguna forma. No utilice ninguna clavija adaptadora con herramientas eléctricas que tengan conexión a tierra (puesta a tierra).** La utilización de clavijas no modificadas y que encajen perfectamente en la toma de corriente reducirá el riesgo de que se produzca una descarga eléctrica.

5. **Evite tocar con el cuerpo superficies conectadas a tierra o puestas a tierra tales como tubos, radiadores, cocinas y refrigeradores.** Si su cuerpo es puesto a tierra o conectado a tierra existirá un mayor riesgo de que sufra una descarga eléctrica.
6. **No exponga las herramientas eléctricas a la lluvia ni a condiciones húmedas.** La entrada de agua en una herramienta eléctrica aumentará el riesgo de que se produzca una descarga eléctrica.
7. **No jale el cable. Nunca utilice el cable para transportar, jalar o desconectar la herramienta eléctrica. Mantenga el cable alejado del calor, aceite, objetos cortantes o piezas móviles.** Los cables dañados o atrapados aumentan el riesgo de sufrir una descarga eléctrica.
8. **Cuando utilice una herramienta eléctrica en exteriores, utilice un cable de extensión apropiado para uso en exteriores.** La utilización de un cable apropiado para uso en exteriores reducirá el riesgo de que se produzca una descarga eléctrica.
9. **Si no es posible evitar usar una herramienta eléctrica en condiciones húmedas, utilice un alimentador protegido con interruptor de circuito de falla en tierra (ICFT).** El uso de un ICFT reduce el riesgo de descarga eléctrica.

Seguridad personal

10. **Manténgase alerta, preste atención a lo que está haciendo y utilice su sentido común cuando opere una herramienta eléctrica. No utilice la herramienta eléctrica cuando esté cansado o bajo la influencia de drogas, alcohol o medicamentos.** Un momento de distracción mientras opera la máquina puede dar como resultado heridas personales graves.
11. **Use equipo de protección personal. Póngase siempre protección para los ojos.** El equipo protector tal como máscara contra el polvo, zapatos de seguridad antiderrapantes, casco rígido y protección para oídos utilizado en las condiciones apropiadas reducirá las heridas personales.

12. **Impida el encendido accidental. Asegúrese de que el interruptor esté en la posición de apagado antes de conectar a la alimentación eléctrica y/o de colocar el cartucho de la batería, así como al levantar o cargar la herramienta.** Cargar las herramientas eléctricas con su dedo en el interruptor o enchufarlas con el interruptor encendido hace que los accidentes sean propensos.
13. **Retire cualquier llave de ajuste o llave de apriete antes de encender la herramienta.** Una llave de ajuste o llave de apriete que haya sido dejada puesta en una parte giratoria de la herramienta eléctrica podrá resultar en heridas personales.
14. **No utilice la herramienta donde no alcance. Mantenga los pies sobre suelo firme y el equilibrio en todo momento.** Esto permite un mejor control de la herramienta eléctrica en situaciones inesperadas.
15. **Use vestimenta apropiada. No use ropas sueltas ni joyas. Mantenga el cabello, la ropa y los guantes alejados de las piezas móviles.** Las prendas de vestir holgadas, las joyas y el cabello suelto podrían engancharse en estas piezas móviles.
16. **Si dispone de dispositivos para la conexión de equipos de extracción y recolección de polvo, asegúrese de conectarlos y utilizarlos debidamente.** La utilización de estos dispositivos reduce los riesgos relacionados con el polvo.

Mantenimiento y uso de la herramienta eléctrica

17. **No fuerce la herramienta eléctrica. Utilice la herramienta eléctrica correcta para su aplicación.** La herramienta eléctrica adecuada hará un trabajo mejor a la velocidad para la que ha sido fabricada.
18. **No utilice la herramienta eléctrica si el interruptor no la enciende y apaga.** Cualquier herramienta eléctrica que no pueda ser controlada con el interruptor es peligrosa y debe ser reemplazada.
19. **Desconecte la clavija de la fuente de energía y/o la batería de la herramienta eléctrica antes de realizar ajustes, cambiar accesorios o guardar las herramientas eléctricas.** Dichas medidas de seguridad preventivas reducen el riesgo de que la herramienta se inicie accidentalmente.
20. **Guarde la herramienta eléctrica que no use fuera del alcance de los niños y no permita que las personas que no están familiarizadas con ella o con las instrucciones la operen.** Las herramientas eléctricas son peligrosas en manos de personas que no saben operarlas.
21. **Realice el mantenimiento a las herramientas eléctricas. Compruebe que no haya partes móviles desalineadas o estancadas, piezas rotas y cualquier otra condición que pueda afectar al funcionamiento de la herramienta eléctrica.** Si la herramienta eléctrica está dañada, haga que se la reparen antes de utilizarla. Muchos accidentes son ocasionados por herramientas eléctricas con un mal mantenimiento.
22. **Mantenga las herramientas de corte limpias y filosas.** Si recibe un mantenimiento adecuado y tiene los bordes afilados, es probable que la herramienta se atasque menos y sea más fácil controlarla.

23. **Utilice la herramienta eléctrica, así como accesorios, piezas, brocas, etc. de acuerdo con estas instrucciones y de la manera establecida para cada tipo de unidad en particular; tenga en cuenta las condiciones laborales y el trabajo a realizar.** Si utiliza la herramienta eléctrica para realizar operaciones distintas de las indicadas, podrá presentarse una situación peligrosa.

Uso y cuidado de la herramienta a batería

24. **Realice la recarga sólo con el cargador especificado por el fabricante.** Un cargador que es adecuado para un solo tipo de batería puede generar riesgo de incendio al ser utilizado con otra batería.
25. **Utilice las herramientas eléctricas solamente con las baterías designadas específicamente para ellas.** La utilización de cualquier otra batería puede crear un riesgo de heridas o incendio.
26. **Cuando no se esté usando el cartucho de la batería, manténgalo alejado de otros objetos metálicos, como sujetapapeles (clips), monedas, llaves, clavos, tornillos u otros objetos pequeños de metal los cuales pueden actuar creando una conexión entre las terminales de la batería.** Cerrar el circuito de las terminales de la batería puede causar quemaduras o incendios.
27. **En condiciones abusivas, podrá escapar líquido de la batería; evite tocarlo. Si lo toca accidentalmente, enjuague con agua. Si hay contacto del líquido con los ojos, acuda por ayuda médica.** Puede que el líquido expulsado de la batería cause irritación o quemaduras.

Servicio de mantenimiento

28. **Haga que una persona calificada repare la herramienta utilizando sólo piezas de repuesto idénticas.** Esto asegura que se mantenga la seguridad de la herramienta eléctrica.
29. **Siga las instrucciones para la lubricación y cambio de accesorios.**
30. **Mantenga las agarraderas secas, limpias y sin aceite o grasa.**

ADVERTENCIAS DE SEGURIDAD DEL CEPILLO INALÁMBRICO

1. **Espera a que la pieza cortadora pare antes de colocar la herramienta en el suelo.** Exponer una pieza cortadora mientras se encuentra girando puede que se enganche con la superficie resultando en posible pérdida del control, así como en graves lesiones.
2. **Utilice abrazaderas o algún otro modo práctico para asegurar y sujetar la pieza de trabajo a una plataforma estable.** Sostener la pieza de trabajo con la mano o contra su cuerpo produce inestabilidad y una posible pérdida de control.
3. **Nunca se deben dejar trapos, paños, cuerdas o cordeles en el área de trabajo.**
4. **Evite cortar clavos. Inspeccione y quite todos los clavos de la pieza de trabajo antes de la operación.**
5. **Utilice sólo cuchillas de corte afiladas. Manipule las cuchillas con mucho cuidado.**
6. **Asegúrese de que los pernos de instalación del disco estén firmemente ajustados antes de utilizar la herramienta.**

7. Sujete la herramienta firmemente con ambas manos.
8. Mantenga las manos alejadas de las piezas giratorias.
9. Antes de utilizar la herramienta en una pieza de trabajo definitiva, déjela funcionar durante un rato. Observe para ver si hay vibración o bamboleo que pueda indicar una incorrecta instalación o un desequilibrio de las cuchillas.
10. Asegúrese de que las cuchillas no estén haciendo contacto con la pieza de trabajo antes de activar el interruptor.
11. Espere hasta que las cuchillas alcancen plena velocidad antes de cortar.
12. Siempre apague la herramienta y espere a que las cuchillas de corte se detengan por completo antes de realizar un ajuste.
13. Nunca pase el dedo por el canal de absorción de virutas. Al cortar madera húmeda, se pueden atorar partículas en este canal. Limpie estas virutas con un palillo.
14. No deje la herramienta en marcha. Tenga en marcha la herramienta solamente cuando la tenga en la mano.
15. Siempre cambie ambas hojas o cubiertas sobre el tambor, o de lo contrario el desequilibrio resultante ocasionará vibraciones que acortarán la vida útil de la herramienta.
16. Utilice sólo las hojas (cuchillas de corte) Makita especificadas en este manual.
17. Siempre utilice el respirador/máscara indicado para protegerse del polvo que corresponda con la aplicación o material con el que trabaje.

GUARDE ESTAS INSTRUCCIONES.

⚠ADVERTENCIA: NO DEJE que la comodidad o familiaridad con el producto (a base de utilizarlo repetidamente) sustituya la estricta observancia de las normas de seguridad para dicho producto. **El MAL USO o el no seguir las normas de seguridad establecidas en este manual de instrucciones puede ocasionar graves lesiones personales.**

Símbolos

A continuación se muestran los símbolos utilizados para la herramienta.

V	volts o voltios
— ---	corriente directa o continua
n _o	velocidad en vacío o sin carga
... /min r /min	revoluciones o alternaciones por minuto, frecuencia de rotación

INSTRUCCIONES IMPORTANTES DE SEGURIDAD

PARA CARTUCHO DE BATERÍA

1. Antes de utilizar el cartucho de batería, lea todas las instrucciones e indicaciones de precaución sobre (1) el cargador de baterías, (2) la batería, y (3) el producto con el que se utiliza la batería.
2. No desarme el cartucho de batería.
3. Si el tiempo de operación se ha acortado en exceso, deje de operar de inmediato. Podría correrse el riesgo de sobrecalentamiento, posibles quemaduras e incluso explosión.
4. En caso de que ingresen electrolitos en sus ojos, enjuáguelos bien con agua limpia y consulte de inmediato a un médico. Podría perder la visión.
5. No cortocircuite el cartucho de batería:
 - (1) No toque las terminales con ningún material conductor.
 - (2) Evite guardar el cartucho de batería en un cajón junto con otros objetos metálicos, tales como clavos, monedas, etc.
 - (3) No exponga la batería de cartucho a la lluvia o nieve.

Un corto circuito en la batería puede causar un flujo grande de corriente, sobrecalentamiento, posibles quemaduras y aún descomposturas.
6. No guarde la herramienta ni el cartucho de batería en lugares donde la temperatura pueda alcanzar o exceder los 50°C (122°F).
7. Nunca incinere el cartucho de batería incluso en el caso de que esté dañado seriamente o ya no sirva en absoluto. El cartucho de batería puede explotar si se tira al fuego.
8. Tenga cuidado de no dejar caer ni golpear el cartucho de batería.
9. No use una batería dañada.
10. Siga las regulaciones locales relacionadas al desecho de las baterías.

GUARDE ESTAS INSTRUCCIONES.

⚠PRECAUCIÓN: Use solo baterías auténticas de Makita. El uso de baterías no auténticas de Makita, o baterías que hayan sido alteradas, puede que resulte en la explosión de la batería, originando un incendio, así como lesiones al usuario y daños. También anulará la garantía de Makita para la herramienta y el cargador Makita.

Consejos para alargar al máximo la vida útil de la batería

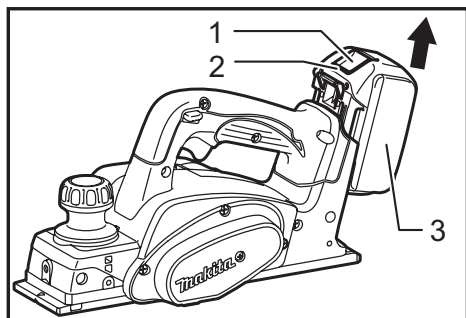
1. **Cargue el cartucho de batería antes de que se descargue completamente. Pare siempre la operación y cargue el cartucho de batería cuando note menos potencia en la herramienta.**
2. **No cargue nunca un cartucho de batería que esté completamente cargado. La sobrecarga acortará la vida de servicio de la batería.**
3. **Cargue el cartucho de batería a temperatura ambiente de 10°C - 40°C (50°F - 104°F). Si un cartucho de batería está caliente, déjelo enfriar antes de cargarlo.**
4. **Cargue el cartucho de batería si no lo ha usado por un largo período (más de seis meses).**

DESCRIPCIÓN DEL FUNCIONAMIENTO

⚠️ PRECAUCIÓN:

- Asegúrese siempre de que la herramienta esté apagada y el cartucho de batería extraído antes de realizar cualquier ajuste o comprobación en la herramienta.

Instalación o desmontaje del cartucho de batería



► 1. Botón 2. Indicador rojo 3. Cartucho de batería

⚠️ PRECAUCIÓN:

- Apague siempre la herramienta antes de colocar o quitar el cartucho de batería.
- **Sujete la herramienta y el cartucho de la batería con firmeza al colocar o quitar el cartucho.** Si no se sujeta con firmeza la herramienta y el cartucho de la batería, puede ocasionar que se resbalen de sus manos resultando en daños a la herramienta y al cartucho, así como lesiones a la persona.

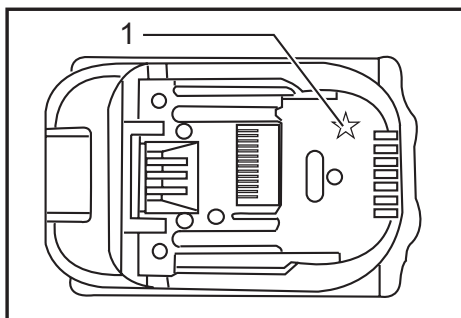
Para quitar el cartucho de batería, deslícelo de la herramienta mientras desliza el botón sobre la parte delantera del cartucho.

Para colocar el cartucho de batería, alinee la lengüeta sobre el cartucho de batería con la ranura en la carcasa y deslice en su lugar. Inserte por completo hasta que se fije en su lugar con un pequeño clic. Si puede ver el indicador rojo del lado superior del botón, esto indica que no ha quedado fijo por completo.

⚠️ PRECAUCIÓN:

- Introduzca siempre completamente el cartucho de batería hasta que el indicador rojo no pueda verse. Si no, podría accidentalmente salirse de la herramienta y caer al suelo causando una lesión a usted o alguien a su alrededor.
- No instale el cartucho de batería a la fuerza: si el cartucho no se desliza al interior fácilmente, se debe a que no está siendo insertado correctamente.

Sistema de protección de batería (batería de ión de litio con marca de estrella)



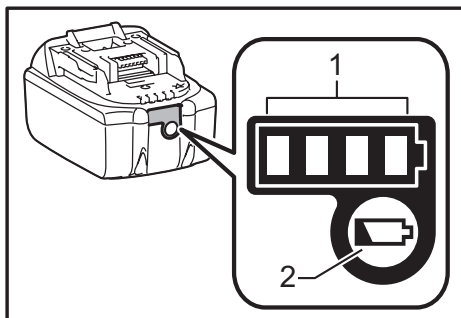
► 1. Marca de estrella

Las baterías de ión de litio con una marca de estrella están equipadas con un sistema de protección. Este sistema corta en forma automática el suministro de energía a la herramienta para prolongar la vida útil de la batería. La herramienta se detendrá automáticamente durante el funcionamiento si la herramienta y/o la batería se someten a una de las siguientes condiciones:

- **Sobrecarga:**
La herramienta se está utilizando de una manera que causa que consuma una cantidad de corriente inusualmente alta. En este caso, libere el gatillo interruptor en la herramienta y detenga la aplicación que causó que la herramienta se sobrecargara. Luego, vuelva a jalar el gatillo interruptor para reanudar el funcionamiento. Si la herramienta no empieza a funcionar, significa que la batería se sobrecalentó. En este caso, espere que la batería se enfríe antes de volver a jalar el gatillo interruptor.
- **Bajo voltaje de la batería:**
La capacidad restante de la batería es demasiado baja y la herramienta no funcionará. En este caso, extraiga la batería y vuelva a cargarla.

Indicación de la capacidad restante de la batería

(Solo para cartuchos de batería con una "B" al final del número de modelo.)



► 1. Luces indicadoras 2. Botón de verificación "CHECK"

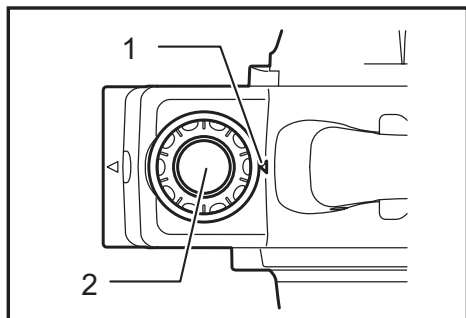
Presione el botón de comprobación en el cartucho de la batería para indicar la capacidad restante de la batería. La luz indicadora se enciende por algunos segundos.

Luces indicadoras			Capacidad restante
Encendido	APAGADO	Intermitencia	
■	□	▬	75% a 100%
■	■	□	
■	■	□	
■	■	□	50% a 75%
■	□	□	25% a 50%
■	□	□	0% a 25%
▬	□	□	Recargue la batería.
■	■	□	Puede que haya un defecto en el funcionamiento de la batería.
□	□	■	

NOTA:

- Dependiendo de las condiciones de uso y de la temperatura ambiental, puede que el nivel indicado difiera ligeramente de la capacidad real de la batería.

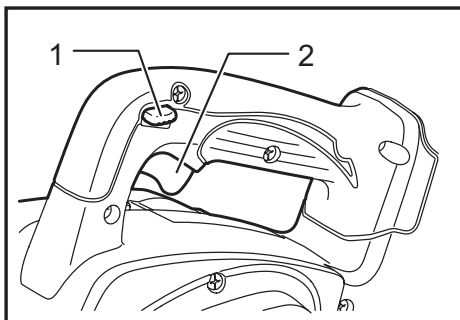
Ajuste de la profundidad de corte



► 1. Puntero 2. Perilla

La profundidad del corte puede ajustarse al simplemente girar la perilla al frente de la herramienta de tal forma que el puntero indique la profundidad de corte deseada.

Accionamiento del interruptor



► 1. Palanca de desbloqueo 2. Gatillo interruptor

PRECAUCIÓN:

- Antes de colocar el cartucho de la batería, compruebe siempre que el gatillo interruptor se acciona debidamente y que vuelve a la posición de apagado ("OFF") cuando lo suelta.
- No jale el gatillo interruptor bruscamente sin presionar el botón de desbloqueo. Esto podría causar la rotura del interruptor.

Se proporciona una palanca lock-off (bloqueo desactivado) a fin de evitar que el gatillo interruptor sea accionado accidentalmente. Para encender la herramienta, deslice esta palanca y accione el gatillo interruptor. Suéltelo para detenerla.

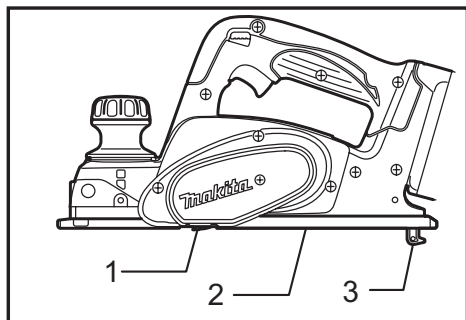
ADVERTENCIA:

- Por su seguridad, esta herramienta está equipada con un botón de desbloqueo que impide que la herramienta se ponga en marcha de forma accidental. NUNCA utilice la herramienta si funciona con sólo pulsar el gatillo sin oprimir el botón de desbloqueo. Devuelva la herramienta a un centro de asistencia técnica de MAKITA ANTES de continuar utilizándola.
- NUNCA fije con cinta adhesiva ni impida el funcionamiento ni la finalidad del botón de desbloqueo.

La herramienta posee un botón de desbloqueo a fin de evitar que el gatillo interruptor se accione accidentalmente.

Para encender la herramienta, pulse este botón y accione el gatillo. Para detener la herramienta, suelte el gatillo interruptor.

Pie



► 1. Cuchilla del cepillo 2. Base posterior 3. Pie

Después de la operación de corte, eleve la parte trasera de la herramienta y un pie sale por debajo del nivel de la base posterior. Este previene que las hojas de corte de la herramienta se dañen.

ENSAMBLE

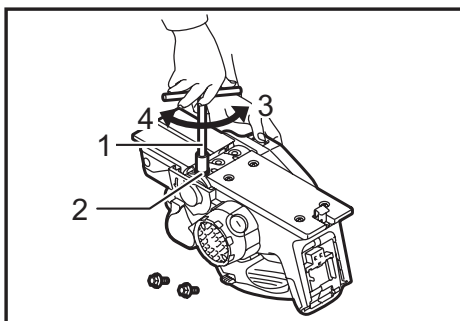
⚠PRECAUCIÓN:

- Asegúrese siempre de que la herramienta esté apagada y el cartucho de batería extraído antes de realizar cualquier trabajo en la misma.

Remoción o instalación de las cuchillas del cepillo

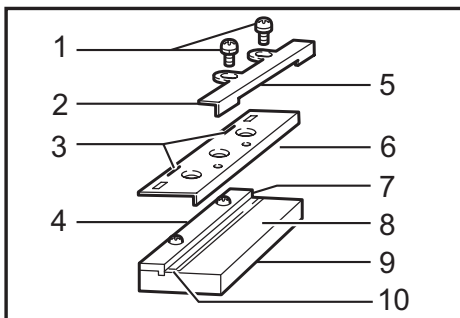
⚠PRECAUCIÓN:

- Ajuste cuidadosamente los pernos de instalación cuando coloque las cuchillas en la herramienta. Un perno de instalación flojo puede ser peligroso. Siempre verifique que estén firmemente ajustados.
- Manipule las cuchillas con mucho cuidado. Utilice guantes o un trapo para proteger sus dedos y manos cuando quite o instale las cuchillas.
- Utilice sólo la llave Makita provista para quitar o instalar las cuchillas. Si no lo hace de este modo, los pernos de instalación podrían quedar excesiva o insuficientemente apretados, lo cual podría ocasionar lesiones.



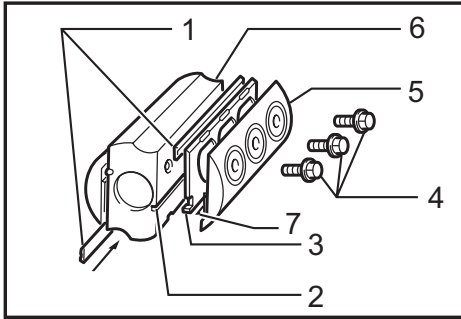
► 1. Llave de cubo 2. Perno 3. Aflojar 4. Apretar

1. Si la herramienta ha sido utilizada, quite la cuchilla existente, limpie cuidadosamente las superficies y la cubierta del tambor. Para quitar las cuchillas que están sobre el tambor, desatornille los tres pernos de instalación con la llave tubo. La cubierta del tambor se suelta junto con las cuchillas.



- 1. Tornillo de cabeza grande 2. Placa de ajuste 3. Juntas de posicionamiento de la cuchilla del cepillo. 4. Placa calibradora 5. Pie de la placa de ajuste 6. Placa de fijación 7. Cara interna de la placa calibradora 8. Base del calibre 9. Lado trasero de la base del calibrador 10. Cuchilla del cepillo
2. Para instalar las hojas, coloque la placa de ajuste en la placa de presión, sin apretarla, utilizando los tornillos de cabeza redonda ranurada, coloque la cuchilla del cepillo sobre la base del calibre, de manera que el filo de la cuchilla quede perfectamente alineado con la cara interna de la placa calibradora.
3. Coloque la placa de ajuste/placa de presión en el soporte de calibración de modo que los tornillos del cepillo para ubicar la cuchilla en la placa de presión se apoyen en la mini ranura de la cuchilla en el cepillo, luego presione sobre el talón de la placa de ajuste para que quede al ras con la parte posterior del soporte de calibración y apriete los tornillos de cabeza troncocónica.
4. Es importante que la cuchilla quede alineada con la cara interna de la placa calibradora, que las juntas de posicionamiento de la cuchilla del cepillo queden insertadas en la ranura de aquella y que el pie de la placa de ajuste esté alineado con la cara posterior de la base del calibre. Verifique cuidadosamente la alineación para asegurar un corte uniforme.

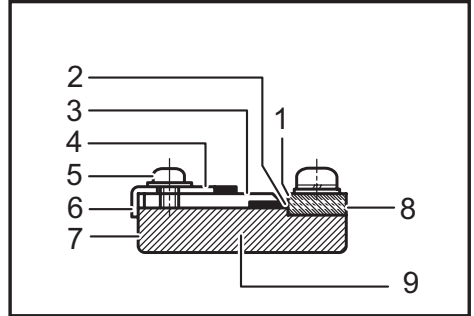
- Deslice el pie de la placa de ajuste dentro de la ranura del tambor.



- Cuchilla del cepillo
- Ranura
- Placa de fijación
- Pernos de cabeza hexagonal para brida
- Cubierta del tambor
- Tambor
- Placa de ajuste

- Coloque la cubierta del tambor sobre la placa de ajuste/placa en bloque y atornille con los tres pernos hexagonales, de manera que quede un espacio entre el tambor y la placa en bloque para que la cuchilla se deslice hasta la posición correspondiente. Las juntas de posicionamiento de la cuchilla colocarán a ésta en su lugar.
- El ajuste longitudinal de la cuchilla deberá ser posicionado en forma manual, de modo que los extremos de la misma sean bien visibles y equidistantes a la carcasa en un extremo y al soporte metálico en el otro extremo.
- Ajuste los tres pernos hexagonales (con la llave tubo provista) y gire manualmente el tambor para verificar la existencia de espacios entre los extremos de la cuchilla y el cuerpo de la herramienta.
- Realice una verificación final para asegurarse de que los tres tornillos hexagonales se encuentran bien ajustados.
- Repita los pasos 1 a 9 para la otra cuchilla.

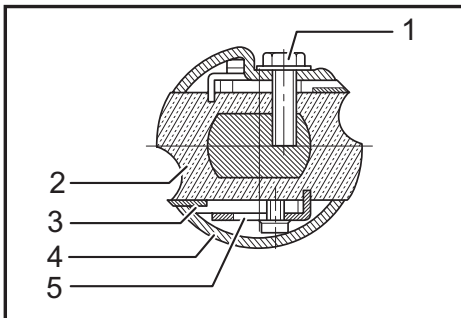
Coloque la cuchilla en la base del calibre de manera que el filo quede perfectamente alineado con el borde interior de la placa calibradora. Coloque la placa de ajuste sobre la cuchilla, luego simplemente presione sobre el pie de la placa de ajuste alineada con la cara posterior de la base del calibre y ajuste los dos tornillos sobre la placa de ajuste. Ahora deslice el pie de la placa de ajuste dentro de la ranura del tambor y coloque la cubierta de éste. Ajuste todos los pernos de instalación en forma pareja y alternada con la llave tubo. Repita los procedimientos anteriores para la otra cuchilla.



- Borde interior de la placa calibradora
- Filo de cuchilla de corte
- Cuchilla del cepillo
- Placa de ajuste
- Tornillos
- Pie
- Lado trasero de la base del calibre
- Placa calibradora
- Base del calibre

Instalación de la cuchilla convencional del cepillo eléctrico (accesorio opcional)

Para instalar las cuchillas, primero limpie todas las virutas o partículas extrañas adheridas al tambor o a las cuchillas. Utilice cuchillas de las mismas dimensiones y peso, o de lo contrario se producirán oscilaciones/ vibraciones que causarán el funcionamiento deficiente y, eventualmente, la rotura de la herramienta.



- Pernos
- Tambor
- Cuchilla del cepillo
- Cubierta del tambor
- Placa de ajuste

Colocación correcta de la cuchilla del cepillo

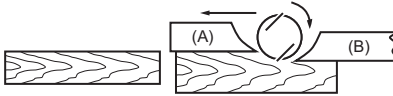
Si la cuchilla no está correctamente posicionada y asegurada, la superficie de cepillado quedará áspera y dispareja. La cuchilla deberá ser montada de modo tal que el filo esté perfectamente nivelado, esto es, paralelo a la superficie de la base trasera.

A continuación se muestran ejemplos de colocación correcta e incorrecta.

(A) Base frontal (zapata móvil)

(B) Base trasera (zapata estacionaria)

Ajuste correcto



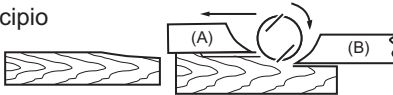
Aun cuando esta vista lateral no deje verlo, los bordes de las cuchillas corren perfectamente paralelos a la superficie de la base trasera.

Superficie con muescas



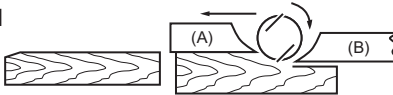
Causa: Una o ambas cuchillas no tiene el borde paralelo a la línea de la base trasera.

Escopleado al principio



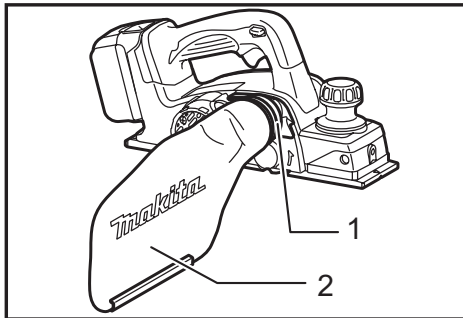
Causa: Uno o ambos bordes de la cuchilla no sobresale suficientemente en relación a la línea de la base trasera.

Escopleado al final



Causa: Uno o ambos bordes de la cuchilla sobresale demasiado en relación a la base trasera.

Bolsa recolectora (accesorio opcional)



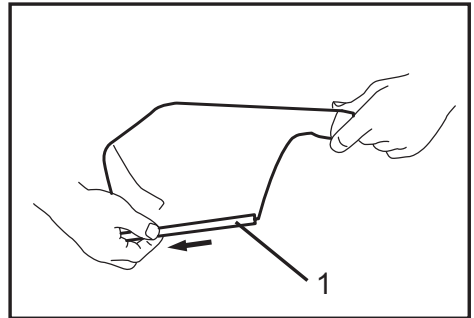
► 1. Boquilla 2. Bolsa para polvo

Para herramienta sin boquilla

Retire la cubierta contra astillas y virutas e instale la boquilla (accesorio opcional). Coloque la bolsa recolectora de polvo en la boquilla. La boquilla es estrecha y ahusada. Al colocar la bolsa recolectora de polvo, empujela firmemente tanto como sea posible para prevenir que se salga durante la operación.

Para herramienta con boquilla

Coloque la bolsa recolectora de polvo en la boquilla. La boquilla es estrecha y ahusada. Al colocar la bolsa recolectora de polvo, empujela firmemente tanto como sea posible para prevenir que se salga durante la operación.



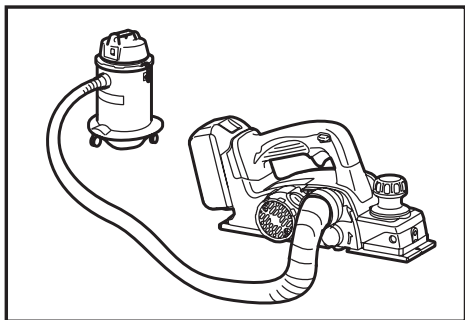
► 1. Sujetador

Cuando la bolsa esté llena por la mitad, retírela y quite el sujetador. Vacíe el contenido de la bolsa dándole golpes suaves, a fin de eliminar las partículas adheridas que pudieran dificultar una recolección posterior.

NOTA:

- Si conecta un aspirador Makita a esta herramienta, podrá realizar operaciones más eficaces y limpias.

Conexión de un aspirador



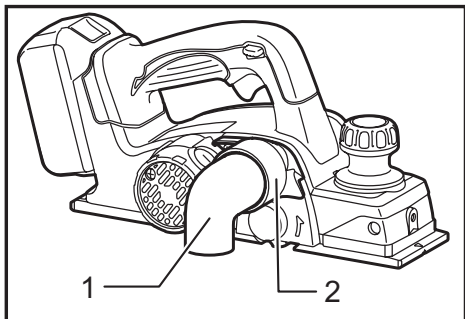
Para herramienta sin boquilla

Cuando desee realizar una operación limpia de cepillado, conecte una aspiradora Makita a su herramienta. Antes de conectar la aspiradora, retire la cubierta contra astillas y virutas de la herramienta. Luego conecte la manguera de la aspiradora a la boquilla (accesorio opcional) como se muestra en las figuras.

Para herramienta con boquilla

Cuando desee realizar una operación limpia de cepillado, conecte una aspiradora Makita a su herramienta. Luego conecte la manguera de la aspiradora a la boquilla como se muestra en las figuras.

Codo (accesorio opcional)



► 1. Codo 2. Boquilla

El uso del codo permite el cambio de la dirección de eliminación de virutas para realizar un trabajo más limpio.

Para herramienta sin boquilla

Retire la cubierta contra astillas y virutas e instale la boquilla (accesorio opcional). Coloque el codo (accesorio opcional) sobre la boquilla de la herramienta con tan sólo desplazarlo sobre ésta. Para quitarlo, sólo jálelo.

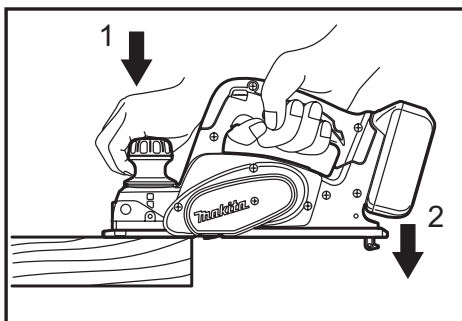
Para herramienta con boquilla

Coloque el codo (accesorio opcional) sobre la boquilla de la herramienta con tan sólo desplazarlo sobre ésta. Para quitarlo, sólo jálelo.

OPERACIÓN

Sujete la herramienta firmemente con una mano en la perilla y con la otra mano en la agarradera del interruptor al estar usando la herramienta.

Cepillado

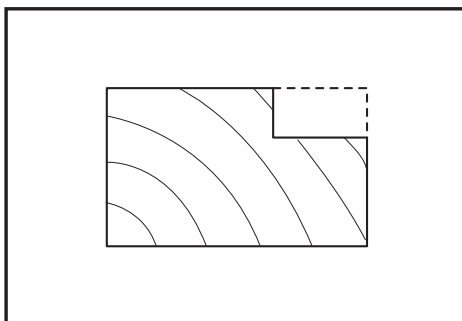


► 1. Inicio 2. Fin

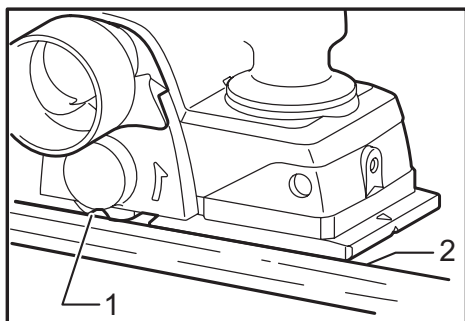
Primero, apoye la cara frontal de la herramienta sobre la superficie de la pieza sin que las cuchillas la toquen. Encienda la herramienta y espere hasta que alcance la velocidad máxima. Luego mueva suavemente la herramienta hacia adelante. Aplique presión sobre la parte frontal de la herramienta al comienzo de la zona de cepillado, y luego sobre la parte trasera al final de la zona de cepillado. La operación será más fácil si inclina la pieza y luego ésta queda fija, de manera tal que la cepille en forma descendente.

La velocidad y profundidad del corte determinan el tipo de acabado. La herramienta mantiene una velocidad de cepillado tal que no permite que las virutas se atasquen. Para un cepillado áspero, la profundidad del corte se puede incrementar, mientras que para lograr un buen acabado, debe reducir la profundidad y avanzar más lentamente.

Rebaje a media madera (Ranurado)

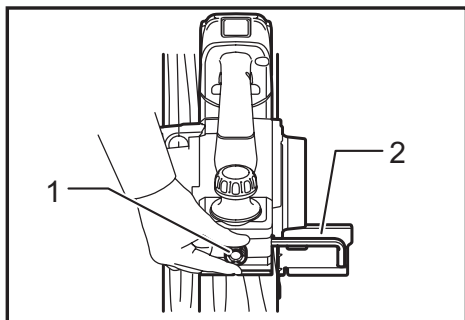


Para realizar un corte escalonado como se muestra en la figura, use el tope del borde (guía de corte) el cual se puede adquirir como un accesorio.



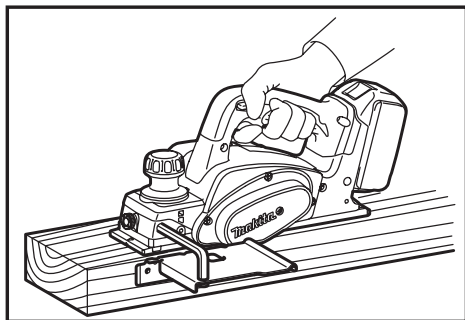
► 1. Filo de cuchilla de corte 2. Línea de corte

Trace una línea de corte sobre la pieza. Inserte el tope del filo en el orificio que se encuentra en la parte frontal de la herramienta. Coloque alineados el tope y la línea de corte.

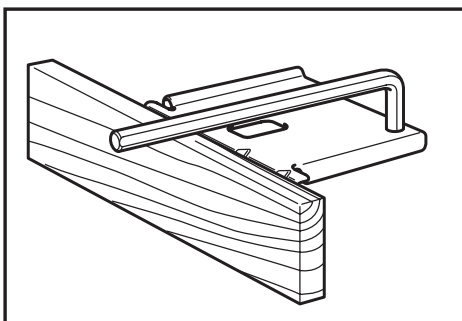


► 1. Tornillo 2. Tope del borde (accesorio opcional)

Ajuste el tope del filo hasta que haga contacto con la cara de la pieza, luego asegúrelo ajustando el tornillo.

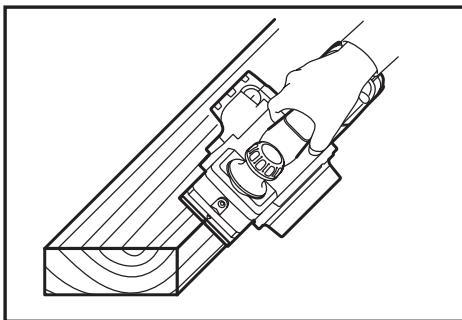
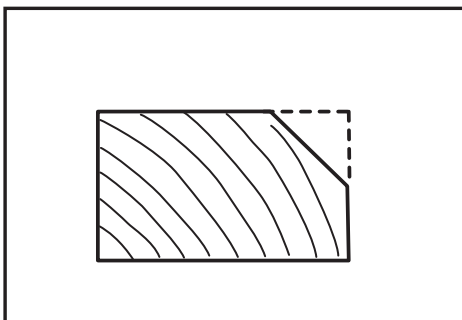


Al cepillar, mueva la herramienta con el tope alineado con la cara de la pieza. De lo contrario, obtendrá un resultado desparejo. La profundidad máxima de bruñido (rebajado) es de 9 mm (11/32").



Si lo desea, puede alargar la extensión del tope agregando una pieza extra de madera. El tope está provisto de orificios para tal propósito, y para adjuntar una guía de extensión (accesorio opcional).

Achaflanado



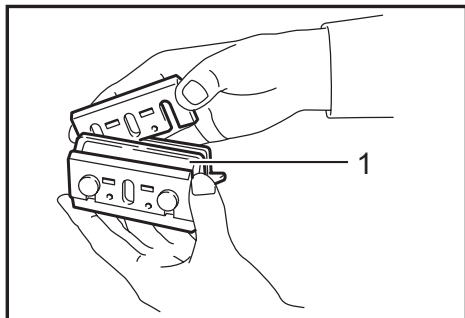
Para realizar una achaflanado como se muestra en la figura, coloque alineados la ranura en V de la parte frontal con el borde de la pieza y efectúe el cepillado.

MANTENIMIENTO

⚠ PRECAUCIÓN:

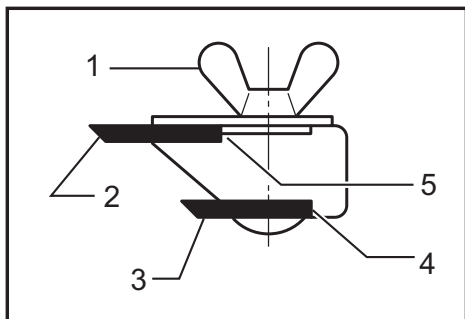
- Asegúrese siempre de que la herramienta esté apagada y el cartucho de batería extraído antes de intentar realizar una inspección o mantenimiento.
- Nunca use gasolina, bencina, diluyente (tiner), alcohol o sustancias similares. Puede que esto ocasione grietas o descoloramiento.

Afilado de las cuchillas convencionales del cepillo eléctrico (accesorio opcional)



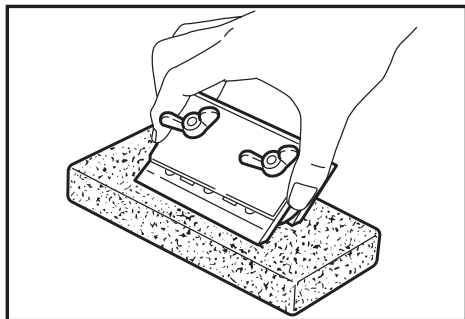
► 1. Soporte para afilado

Siempre mantenga afiladas las cuchillas para lograr el mejor resultado posible. Utilice el soporte para afilado (accesorio opcional) para eliminar muescas y obtener un borde liso.



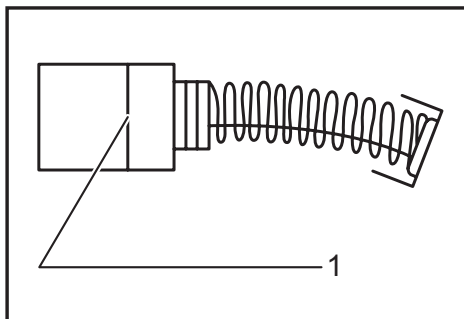
► 1. Tuerca de mariposa 2. Cuchilla (A) 3. Cuchilla (B) 4. Lateral (D) 5. Lateral (C)

Primero, afloje las dos arandelas mariposa del soporte y coloque las hojas (A) y (B), de manera que hagan contacto con las caras (C) y (D). Luego ajuste las arandelas mariposa. Sumerja en agua la piedra rectificadora durante 2 ó 3 minutos antes del afilado. Sostenga el soporte de manera que ambas cuchillas hagan contacto con la piedra rectificadora para que se afilen en forma simultánea y en el mismo ángulo.



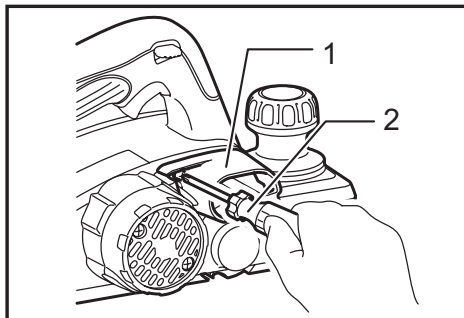
Sumerja la piedra afiladora en agua durante unos 2 ó 3 minutos antes del afilado. Sostenga el soporte de manera que ambas cuchillas toquen la piedra afiladora para realizar un afilado simultáneo al mismo ángulo.

Reemplazamiento de las escobillas de carbón

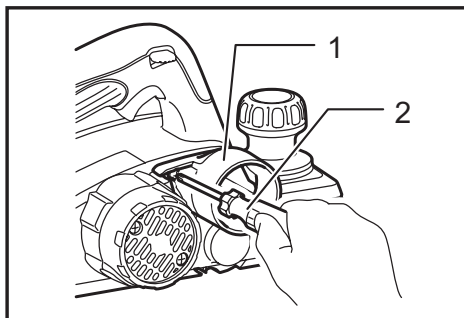


► 1. Marca límite

Extraiga e inspeccione de forma periódica las escobillas de carbón. Sustitúyalas cuando se hayan gastado hasta la marca límite. Mantenga las escobillas de carbón limpias de forma que entren libremente en los portaescobillas. Ambas escobillas de carbón deberán ser sustituidas al mismo tiempo. Utilice únicamente escobillas de carbón originales e idénticas.



► 1. Protector contra virutas 2. Destornillador



► 1. Boquilla 2. Destornillador

Utilice un destornillador para retirar la boquilla o la cubierta contra astillas y virutas.

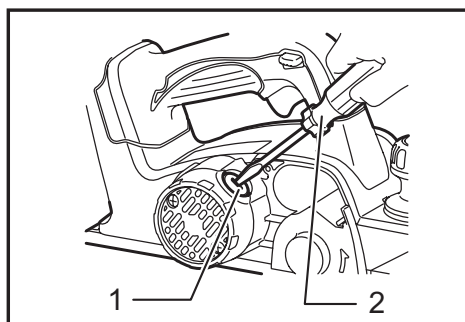
Ésta Garantía no aplica para México

Consulte la hoja de la garantía anexa para ver los términos más vigentes de la garantía aplicable a este producto. En caso de no disponer de esta hoja de garantía anexa, consulte los detalles sobre la garantía descritos en el sitio web de su país respectivo indicado a continuación.

Estados Unidos de América: www.makitatools.com

Canadá: www.makita.ca

Otros países: www.makita.com



► 1. Tapa del carbón 2. Destornillador

Utilice un destornillador para quitar Tapa del carbón. Extraiga las escobillas gastadas, inserte las nuevas y vuelva a colocar las tapas.

Para mantener la **SEGURIDAD** y **FIABILIDAD** del producto, las reparaciones, y cualquier otra tarea de mantenimiento o ajuste deberán ser realizadas en Centros de Servicio Autorizados por Makita, empleando siempre repuestos Makita.

ACCESORIOS OPCIONALES

⚠PRECAUCIÓN:

- Estos accesorios o aditamentos (incluidos o no) están recomendados para utilizar con su herramienta Makita especificada en este manual. El empleo de cualesquiera otros accesorios o acoplamientos conllevará un riesgo de sufrir heridas personales. Utilice los accesorios o acoplamientos solamente para su fin establecido.

Si necesita cualquier ayuda para más detalles en relación con estos accesorios, pregunte a su centro de servicio Makita local.

- Cuchilla para cepillo de alta velocidad
- Cuchilla de carburo de tungsteno para cepillo (para una vida útil más prolongada)
- Mini cuchilla del cepillo
- Montaje del soporte para afilado
- Calibrador de cuchilla
- Conjunto de placas en bloque
- Tope de cuchilla (Guía)
- Conjunto de guías de extensión
- Piedra rectificadora
- Boquilla
- Montaje de bolsa recolectora
- Codo
- Llave tubo
- Maletín de transporte de plástico
- Batería y cargador originales de Makita

NOTA:

- Algunos de los artículos en la lista puede que vengan junto con el paquete de la herramienta como accesorios incluidos. Puede que estos accesorios varíen de país a país.

< USA only >

WARNING

Some dust created by power sanding, sawing, grinding, drilling, and other construction activities contains chemicals known to the State of California to cause cancer, birth defects or other reproductive harm. Some examples of these chemicals are:

- lead from lead-based paints,
- crystalline silica from bricks and cement and other masonry products, and
- arsenic and chromium from chemically-treated lumber.

Your risk from these exposures varies, depending on how often you do this type of work. To reduce your exposure to these chemicals: work in a well ventilated area, and work with approved safety equipment, such as those dust masks that are specially designed to filter out microscopic particles.

< Sólo en los Estados Unidos >

ADVERTENCIA

Algunos polvos creados por el lijado, aserrado, esmerilado, taladrado y otras actividades de la construcción contienen sustancias químicas reconocidas por el Estado de California como causantes de cáncer, defectos de nacimiento y otros peligros de reproducción. Algunos ejemplos de estos productos químicos son:

- plomo de pinturas a base de plomo,
- sílice cristalino de ladrillos y cemento y otros productos de albañilería, y
- arsénico y cromo de maderas tratadas químicamente.

El riesgo al que se expone varía, dependiendo de la frecuencia con la que realice este tipo de trabajo. Para reducir la exposición a estos productos químicos: trabaje en un área bien ventilada y póngase el equipo de seguridad indicado, tal como las máscaras contra polvo que están especialmente diseñadas para filtrar partículas microscópicas.

Makita Corporation

3-11-8, Sumiyoshi-cho,
Anjo, Aichi 446-8502 Japan

www.makita.com

885273E939
DKP180-1
EN, FRCA, ESMX
20180411