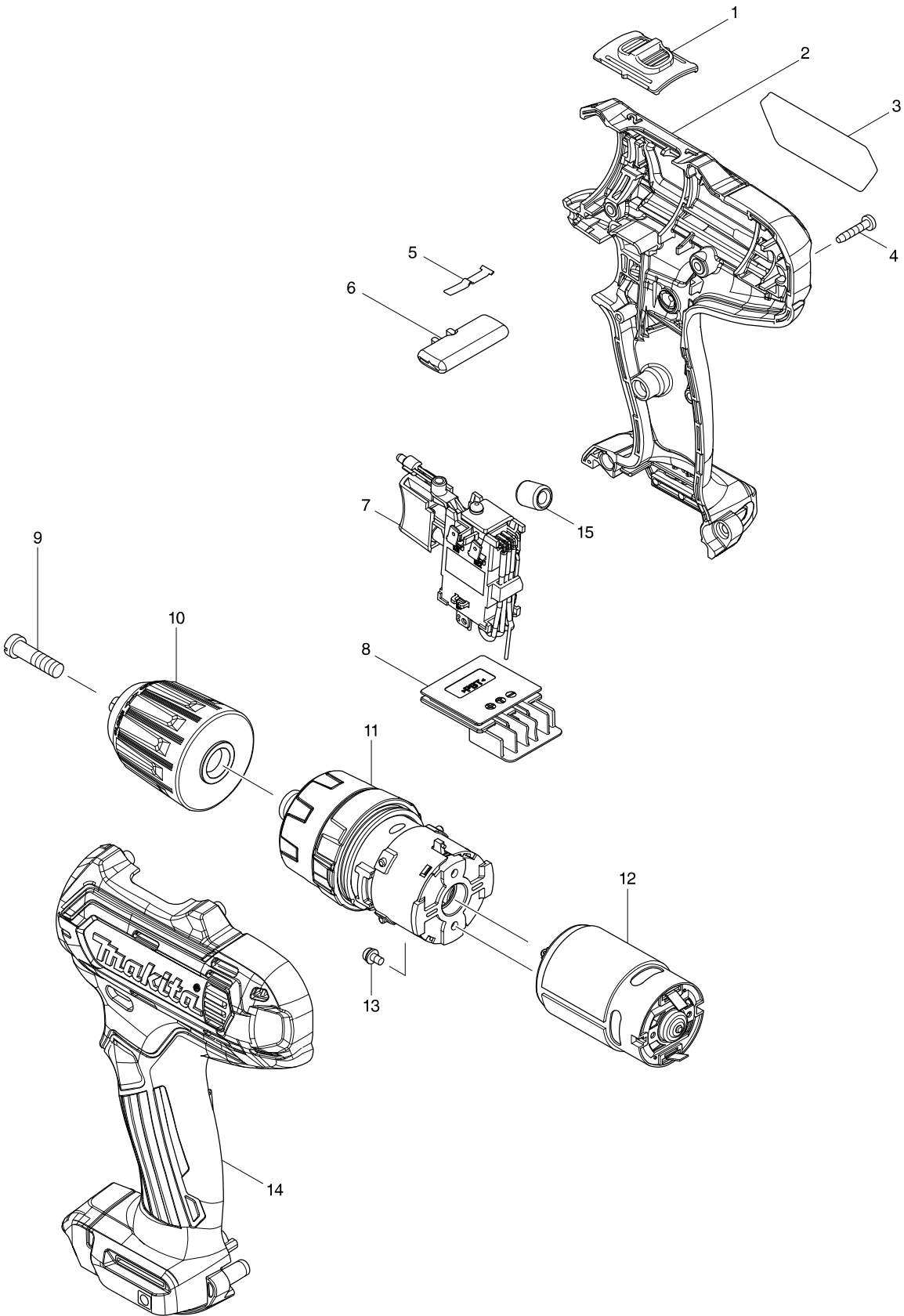


Modelo HP331D CORDLESS HAMMER DRIVER DRILL



Modelo HP331D CORDLESS HAMMER DRIVER DRILL

Pieza	Código	Descripción	Info	CTD.	N/O	Opc. 1	Opc. 2	OBS.
001	126233-0	SPEED CHANGE LEVER ASSEMBLY		1				
C10	231433-0	COMPRESSION SPRING 4		2				
002	183B50-3	HOUSING SET		1				
C10	252126-6	HEX. LOCKING NUT M4-7		2				
D10		INC. 14						
003	851H12-2	HP331D NAME PLATE		1				
004	266429-2	TAPPING SCREW 3X16		9				
005	232239-9	LEAF SPRING		1				
006	456039-5	F/R CHANGE LEVER		1				
007	632F43-6	SWITCH UNIT		1				
C10	620463-0	LED CIRCUIT		1				
008	644813-5	TERMINAL		1				
009	251468-5	- FLAT HEAD SCREW M6X22		1				
010	763229-6	KEYLESS DRILL CHUCK 10		1				
011	123502-0	GEAR ASS'Y		1				
012	629167-1	DC MOTOR		1				
013	911003-8	PAN HEAD SCREW M3X6		2				
014	183B50-3	HOUSING SET		1				
C10	252126-6	HEX. LOCKING NUT M4-7		2				
D10		INC. 2						
A01	251314-2	+ SCREW M4X12		1				
A02	346909-5	HOOK		1				
A03	784244-7	+ BIT 2-50		1				
A04B	456128-6	BATTERY COVER		1				
A04C	456128-6	BATTERY COVER		1				
A04D	456128-6	BATTERY COVER		1				
A05B	***DC10WD	DC10WD BATTERY CHARGER		1				
D10		COMPO-PARTS						
A05C	***DC10WD	DC10WD BATTERY CHARGER		1				
D10		COMPO-PARTS						
A05D	***DC10WD	DC10WD BATTERY CHARGER		1				
D10		COMPO-PARTS						
A05E	***DC10WD	DC10WD BATTERY CHARGER		1				
D10		COMPO-PARTS						
A06B	197412-7	BATTERY BL1016 SET		2				
A06C	197414-3	BATTERY BL1021B SET		2				
A06D	197416-9	BATTERY BL1041B SET		2				
A06E	197412-7	BATTERY BL1016 SET		1				
A07B	821661-1	PLASTIC CARRYING CASE		1				
C10	417724-5	LATCH		2				
A07C	821661-1	PLASTIC CARRYING CASE		1				
C10	417724-5	LATCH		2				
A07D	821661-1	PLASTIC CARRYING CASE		1				
C10	417724-5	LATCH		2				
A07E	821661-1	PLASTIC CARRYING CASE		1				
C10	417724-5	LATCH		2				