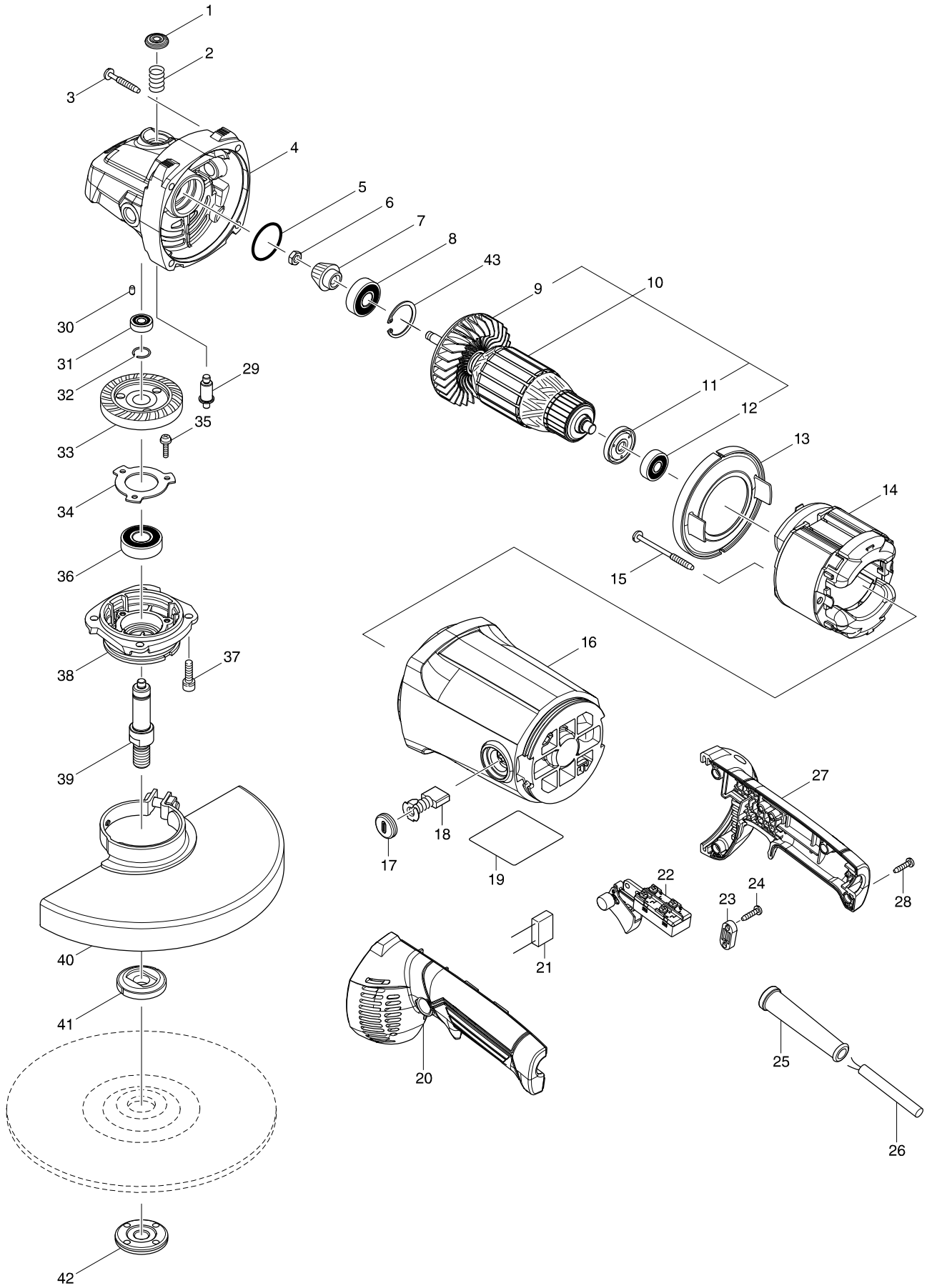


Modelo M0921 230MM ANGLE GRINDER



Modelo M0921 230MM ANGLE GRINDER

Pieza	Código	Descripción	Info	CTD.	N/O	Opc. 1	Opc. 2	OBS.
001	454462-8	PIN CAP		1				
002	234298-9	COMPRESSION SPRING 12		1				
003	266840-8	TAPPING SCREW 5X35		4				
004	319004-4	GEAR HOUSING		1				
005	213459-4	O RING 32		1				
006	264010-3	HEX.NUT M7		1				
007	227617-6	SPIRAL BEVEL GEAR 12		1				
008	211129-9	BALL BEARING 6201DDW		1				
009	240081-4	FAN 80		1				
010	517891-7	ARMATURE ASS'Y 115V		1				
D10		INC. 9,11,12						
011	681666-1	INSULATION WASHER		1				
012	211381-9	BALL BEARING 629ZZ		1				
013	454555-1	BAFFLE PLATE		1				
014	636381-2	FIELD 115V		1				
015	266842-4	TAPPING SCREW 5X65		2				
016	143128-2	MOTOR HOUSING COMPLETE		1				
C10	644502-2	BRUSH HOLDER 7-18		2				
017	644802-0	HOLDER CAP		2				
018	194991-6	CARBON BRUSH CB-203		1				
019	851A10-4	M0921 NAME PLATE		1				
020	187638-9	HANDLE SET		1				
D10		INC. 27						
022	650115-9	SWITCH TN31-2		1				
023	687124-5	STRAIN RELIEF		1				
024	266841-6	TAPPING SCREW 4X18		2				
025	682574-9	CORD GUARD 10-90		1				
026	664452-5	POWER SUPPLY CORD AWG#14-2-2.0		1				
027	187638-9	HANDLE SET		1				
D10		INC. 20						
028	266841-6	TAPPING SCREW 4X18		4				
029	256550-5	SHOULDER PIN 5		1				
030	263002-9	RUBBER PIN 4		1				
031	211382-7	BALL BEARING 607ZZ		1				
032	234299-7	RING SPRING 13		1				
033	227618-4	SPIRAL BEVEL GEAR 53B		1				
034	285851-4	BEARING RETAINER		1				
035	911123-8	PAN HEAD SCREW M4X14		3				
036	211487-3	BALL BEARING 6202DDW		1				
037	265541-5	HEX. SOCKET HEAD BOLT M6X22		4				
038	319169-2	BEARING BOX		1				
039	326461-9	SPINDLE A		1				
040	122892-8	WHEEL COVER 230 ASS'Y		1				
C10	213017-6	O RING 6		1				
C20	265198-2	+PAN HEAD SCREW M8X25		1				
041	224378-9	INNER FLANGE 45		1				
042	224568-4	LOCK NUT 5/8-45		1				
043	257965-9	RETAINING RING (INT) R-32		1				

