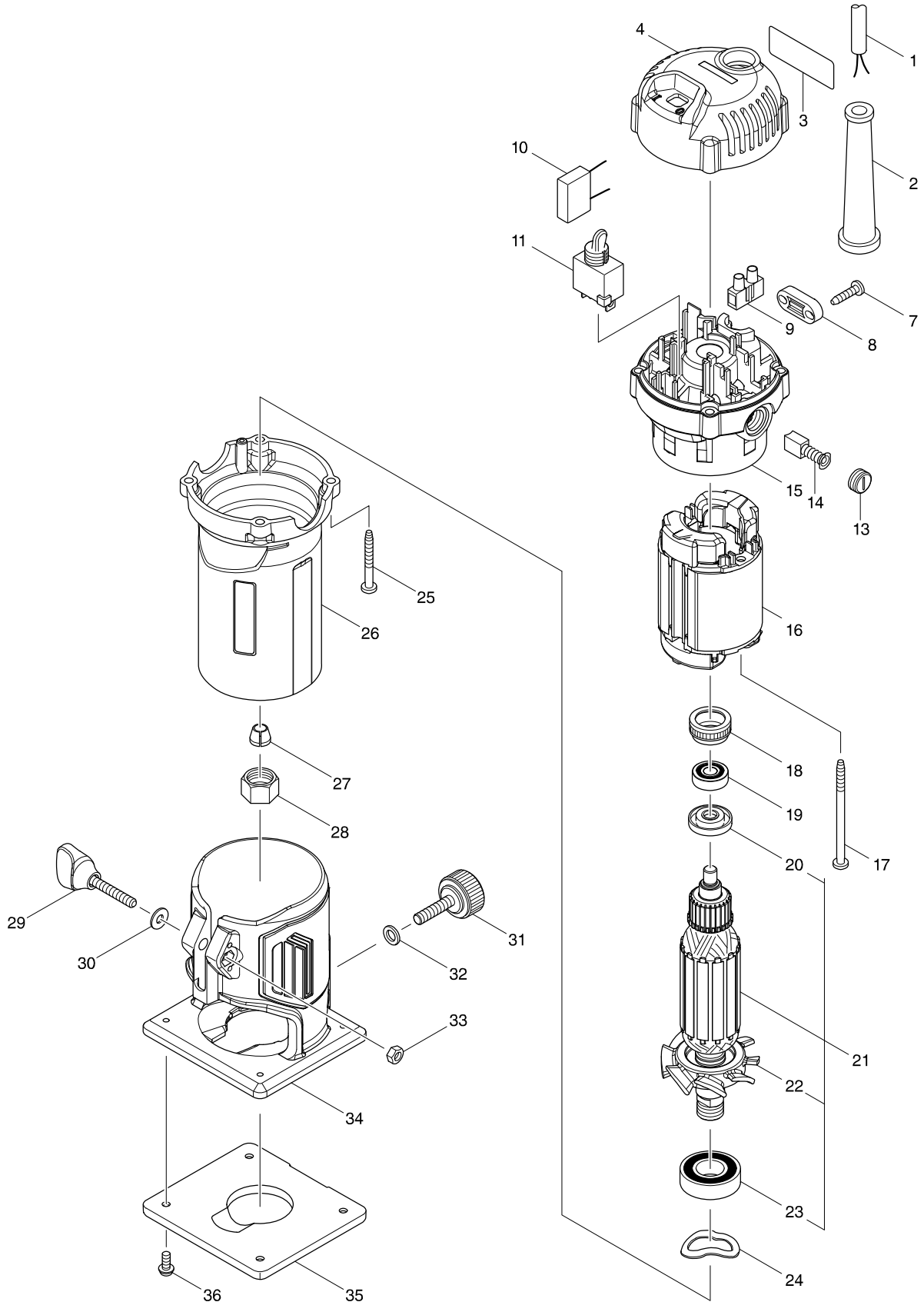


Modelo M3700 TRIMMER



Pieza	Código	Descripción	Info	CTD.	N/O	Opc. 1	Opc. 2	OBS.
001	664881-2	POWER SUPPLY CORD #18-2-2.0		1				
002	682569-2	CORD GUARD 8-85		1				
003	852B29-2	M3700 NAME PLATE		1				
004	450665-2	TOP COVER		1				
007	266326-2	TAPPING SCREW 4X18		2				
008	687123-7	STRAIN RELIEF		1				
011	651424-9	SWITCH STL106AT		1				
013	643987-9	BRUSH HOLDER CAP 5-8		2				
014	195008-8	CARBON BRUSH CB-408		1				
015	141789-2	BRACKET COMPLETE		1				
C10	643858-0	BRUSH HOLDER 6X9		2				
C20	810118-7	CAUTION LABEL		1				
016	593591-3	FIELD ASS'Y 115V		1				
C10	654221-2	RING TERMINAL		2				
C20	654501-6	CONNECTOR P-1.25		2				
017	266340-8	TAPPING SCREW 4X65		2				
018	421868-5	LABYRINTH RUBBER RING 19		1				
019	210062-2	BALL BEARING 607ZZ		1				
020	681668-7	INSULATION WASHER		1				
021	510232-6	ARMATURE ASS'Y 115V		1				
D10		INC. 19,20,22,23						
022	241667-7	FAN 52		1				
023	211247-3	BALL BEARING 6002DDW		1				
024	267785-3	WAVE WASHER 23		1				
025	266351-3	TAPPING SCREW 4X35		4				
026	143579-9	MOTOR HOUSING COMPLETE		1				
027	763663-0	COLLET CONE 6.35		1				
028	763661-4	COLLET NUT 6		1				
029	265762-9	THUMB SCREW M5X30		1				
030	941101-4	FLAT WASHER 5		1				
031	265763-7	THUMB SCREW M6X25		1				
032	941151-9	FLAT WASHER 6		1				
033	931202-6	HEX. NUT M5		1				
034	454022-6	BASE		1				
035	410585-2	BASE PROTECTOR		1				
036	265142-9	+ PAN HEAD SCREW M4X10		4				
A01	122703-7	TRIMMER GUIDE ASS'Y		1				
C10	251471-6	- FLAT HEAD SCREW M5		1				
C20	265135-6	+ COUNTERSUNK HEAD SCREW M4X		1				
C30	265763-7	THUMB SCREW M6X25		1				
C40	265764-5	THUMB SCREW M6		1				
C50	317788-8	GUIDE HOLDER		1				
C60	324378-0	ROLLER 11		1				
C70	341136-9	HOOK		1				
C80	941151-9	FLAT WASHER 6		1				
A02	122704-5	STRAIGHT GUIDE ASS'Y		1				
C10	252649-4	THUMB NUT M6		1				
C20	266339-3	CAP SQUARE NECK BOLT M6X20		1				

