

A

B

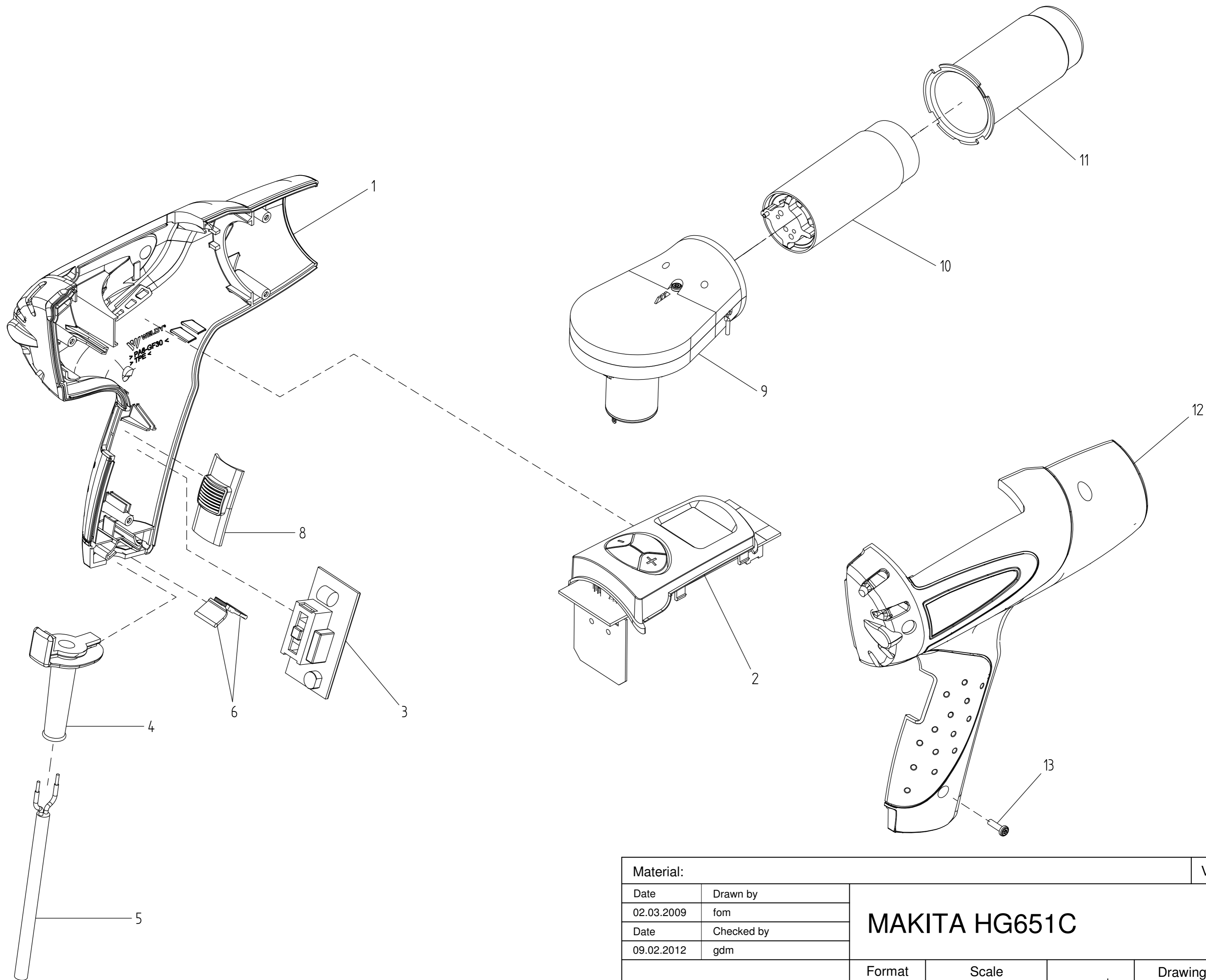
C

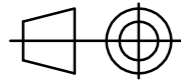
D

1

2

3



Material:				Volume:		
Date	Drawn by	MAKITA HG651C			Sheet	
02.03.2009	fom				1	
Date	Checked by				of	
09.02.2012	gdm		1			
		Format	Scale		Drawing number	Revision
		A3	%			A

Pos. no.	Item Number	Designation 1	Designation 2
1	139.079	Housing left part	MAKITA
2	119.253	Main board complete	Tool C, HG651C
3	130.430	Switch board	Tool C, HG651C
4	130.419	Cord guard	
5	130.432	Power supply cord	2 x 1mm ² x 2m, EU ("Konturen")
6	130.421	Strain relief	
8	130.416	Actuator printed 1-step	Tool C, HG651C
9	119.256	Blower unit 110°C	Tool B, HG551V; Tool C, HG651C
10	119.654	Heating element 230V/2000W	Tool C, HG651C
11	130.420	Heater tube	
12	139.080	Housing right part	MAKITA
13	130.417	Tamper resistant PT-screw	
-	130.442	Plastic case	Green