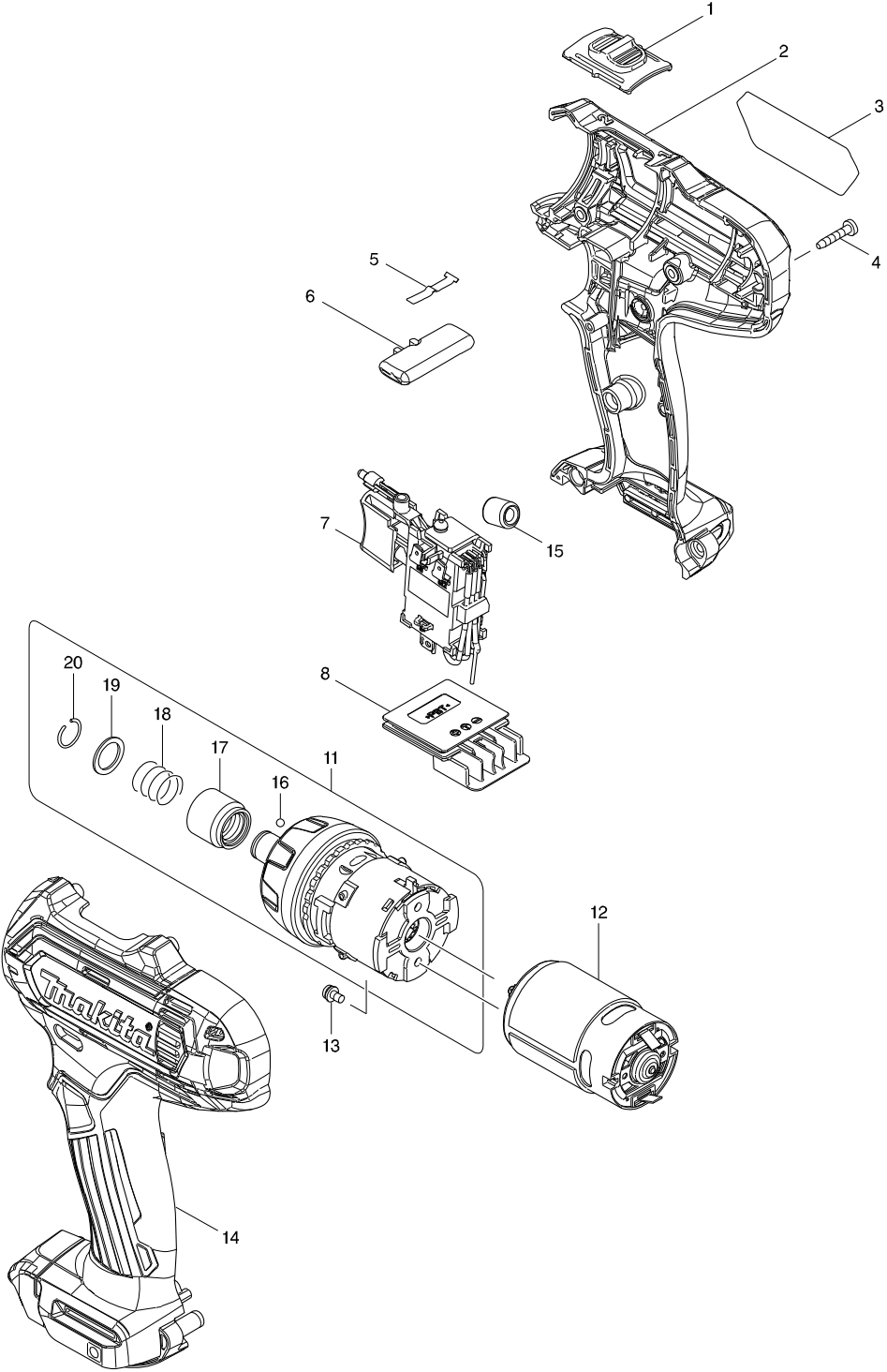


Modelo DF031D CORDLESS DRIVER DRILL



| Pieza | Código    | Descripción                 | Info | CTD. | N/O | Opc. 1 | Opc. 2 | OBS. |
|-------|-----------|-----------------------------|------|------|-----|--------|--------|------|
| 001   | 126233-0  | SPEED CHANGE LEVER ASSEMBLY |      | 1    |     |        |        |      |
| C10   | 231433-0  | COMPRESSION SPRING 4        |      | 2    |     |        |        |      |
| 002   | 183B50-3  | HOUSING SET                 |      | 1    |     |        |        |      |
| C10   | 252126-6  | HEX. LOCKING NUT M4-7       |      | 2    |     |        |        |      |
| D10   |           | INC. 14                     |      |      |     |        |        |      |
| 003   | 851H55-4  | DF031D NAME PLATE           |      | 1    |     |        |        |      |
| 004   | 266429-2  | TAPPING SCREW 3X16          |      | 9    |     |        |        |      |
| 005   | 232239-9  | LEAF SPRING                 |      | 1    |     |        |        |      |
| 006   | 456039-5  | F/R CHANGE LEVER            |      | 1    |     |        |        |      |
| 007   | 632F43-6  | SWITCH UNIT                 |      | 1    | *   |        |        |      |
| C10   | 620463-0  | LED CIRCUIT                 |      | 1    | *   |        |        |      |
| 007-1 | 632J77-3  | SWITCH UNIT                 | <    | 1    |     |        |        |      |
| C10   | 620625-0  | LED CIRCUIT                 |      | 1    |     |        |        |      |
| 008   | 644813-5  | TERMINAL                    |      | 1    |     |        |        |      |
| 011   | 123504-6  | GEAR ASS'Y                  |      | 1    |     |        |        |      |
| D10   |           | INC. 16-20                  |      |      |     |        |        |      |
| 012   | 629169-7  | DC MOTOR                    |      | 1    |     |        |        |      |
| 013   | 911003-8  | PAN HEAD SCREW M3X6         |      | 2    |     |        |        |      |
| 014   | 183B50-3  | HOUSING SET                 |      | 1    |     |        |        |      |
| C10   | 252126-6  | HEX. LOCKING NUT M4-7       |      | 2    |     |        |        |      |
| D10   |           | INC. 2                      |      |      |     |        |        |      |
| 016   | 216019-1  | STEEL BALL 3                |      | 2    |     |        |        |      |
| 017   | 324919-2  | BIT SLEEVE                  |      | 1    |     |        |        |      |
| 018   | 233005-7  | COMPRESSION SPRING 13       |      | 1    |     |        |        |      |
| 019   | 267143-3  | FLAT WASHER 11              |      | 1    |     |        |        |      |
| 020   | 231965-7  | RING SPRING 10              |      | 1    |     |        |        |      |
| A01   | 251314-2  | + SCREW M4X12               |      | 1    |     |        |        |      |
| A02   | 346909-5  | HOOK                        |      | 1    |     |        |        |      |
| A03   | 784244-7  | + BIT 2-50                  |      | 1    |     |        |        |      |
| A04B  | 456128-6  | BATTERY COVER               |      | 1    |     |        |        |      |
| A04C  | 456128-6  | BATTERY COVER               |      | 1    |     |        |        |      |
| A04D  | 456128-6  | BATTERY COVER               |      | 1    |     |        |        |      |
| A05B  | ***DC10WD | DC10WD BATTERY CHARGER      |      | 1    |     |        |        |      |
| D10   |           | COMPO-PARTS                 |      |      |     |        |        |      |
| A05C  | ***DC10WD | DC10WD BATTERY CHARGER      |      | 1    |     |        |        |      |
| D10   |           | COMPO-PARTS                 |      |      |     |        |        |      |
| A05D  | ***DC10WD | DC10WD BATTERY CHARGER      |      | 1    |     |        |        |      |
| D10   |           | COMPO-PARTS                 |      |      |     |        |        |      |
| A06B  | 197412-7  | BATTERY BL1016 SET          |      | 2    |     |        |        |      |
| A06C  | 197414-3  | BATTERY BL1021B SET         |      | 2    |     |        |        |      |
| A06D  | 197416-9  | BATTERY BL1041B SET         |      | 2    |     |        |        |      |
| A07B  | 821661-1  | PLASTIC CARRYING CASE       |      | 1    |     |        |        |      |
| C10   | 417724-5  | LATCH                       |      | 2    |     |        |        |      |
| A07C  | 821661-1  | PLASTIC CARRYING CASE       |      | 1    |     |        |        |      |
| C10   | 417724-5  | LATCH                       |      | 2    |     |        |        |      |
| A07D  | 821661-1  | PLASTIC CARRYING CASE       |      | 1    |     |        |        |      |
| C10   | 417724-5  | LATCH                       |      | 2    |     |        |        |      |