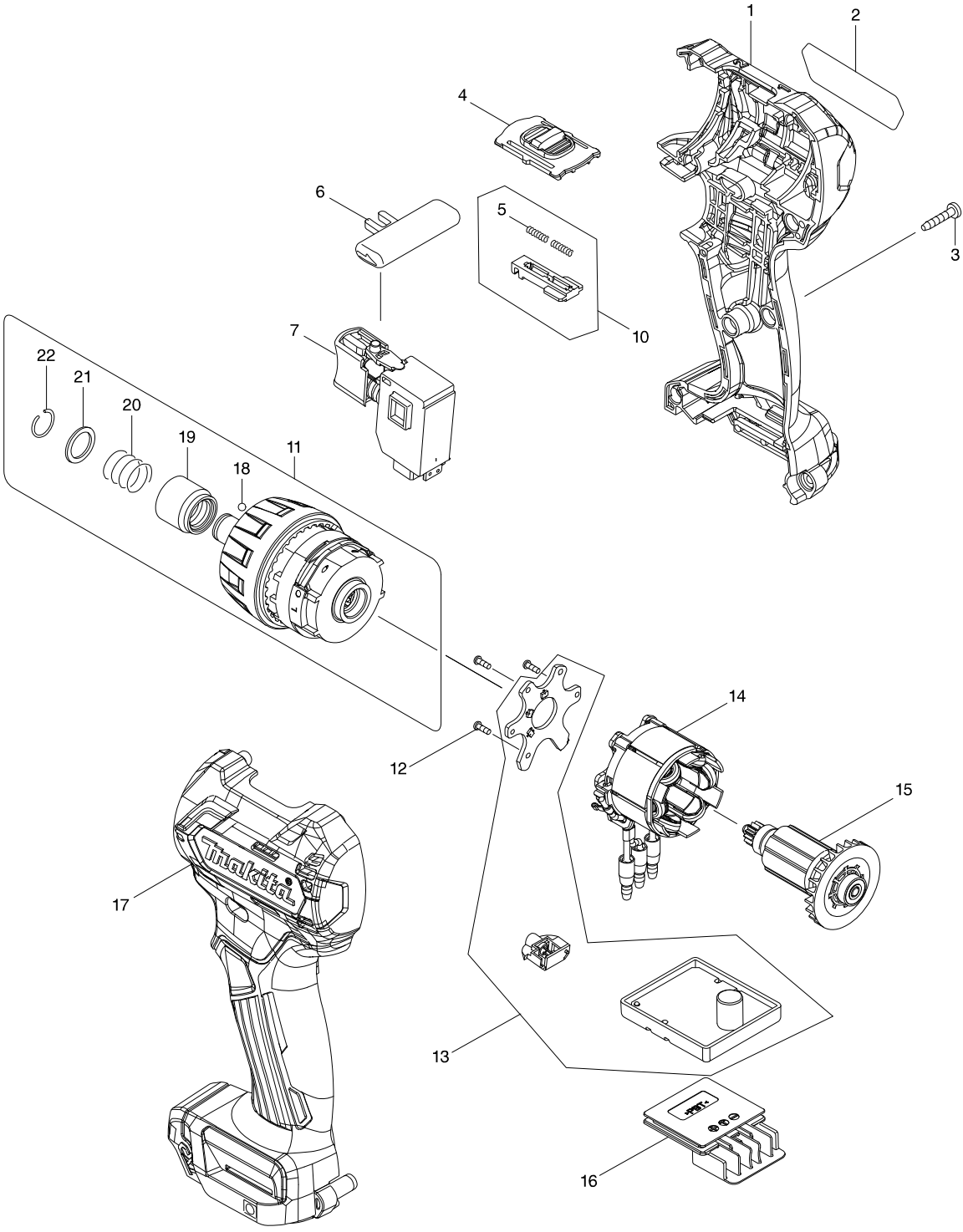


Modelo DF032D CORDLESS DRIVER DRILL



# Modelo DF032D CORDLESS DRIVER DRILL

Pieza	Código	Descripción	Info	CTD.	N/O	Opc. 1	Opc. 2	OBS.
001	183C34-7	HOUSING SET		1				
D10		INC. 17						
002	851U09-9	DF032D NAME PLATE		1				
003	266429-2	TAPPING SCREW 3X16		8				
004	456532-9	SPEED CHANGE LEVER		1				
005	233025-1	COMPRESSION SPRING 2		2				
006	419041-9	F/R CHANGE LEVER		1				
007	650689-0	SWITCH C3JW-2B		1				
010	123587-6	CHANGE LEVER ASS'Y		1				
D10		INC. 5						
011	123550-9	GEAR ASSEMBLY		1	*			
D10		INC. 18-22			*			
011-1	123869-6	GEAR ASSEMBLY	O	1				
D10		INC. 18-22						
012	266490-9	TAPPING SCREW PT 2X6		3				
013	620487-6	CONTROLLER		1	*			
013-1	620487-6	CONTROLLER	O	1				
C10	620553-9	LED CIRCUIT		1				
014	629178-6	STATOR		1				
015	619393-0	ROTOR		1				
016	644813-5	TERMINAL		1				
017	183C34-7	HOUSING SET		1				
D10		INC. 1						
018	216019-1	STEEL BALL 3		2				
019	326677-6	BIT SLEEVE		1				
020	233005-7	COMPRESSION SPRING 13		1				
021	347004-4	BIT WASHER		1				
022	231965-7	RING SPRING 10		1				
A01	251314-2	+ SCREW M4X12		1				
A02	346909-5	HOOK		1				
A03	784244-7	+ BIT 2-50		1				
A04B	456128-6	BATTERY COVER		1				
A04C	456128-6	BATTERY COVER		1				
A05B	***DC10WD	DC10WD BATTERY CHARGER		1				
D10		COMPO-PARTS						
A05C	***DC10WD	DC10WD BATTERY CHARGER		1				
D10		COMPO-PARTS						
A06B	197416-9	BATTERY BL1041B SET		2				
A06C	197412-7	BATTERY BL1016 SET		2				
A07B	821661-1	PLASTIC CARRYING CASE		1				
C10	417724-5	LATCH		2				
A07C	821661-1	PLASTIC CARRYING CASE		1				
C10	417724-5	LATCH		2				