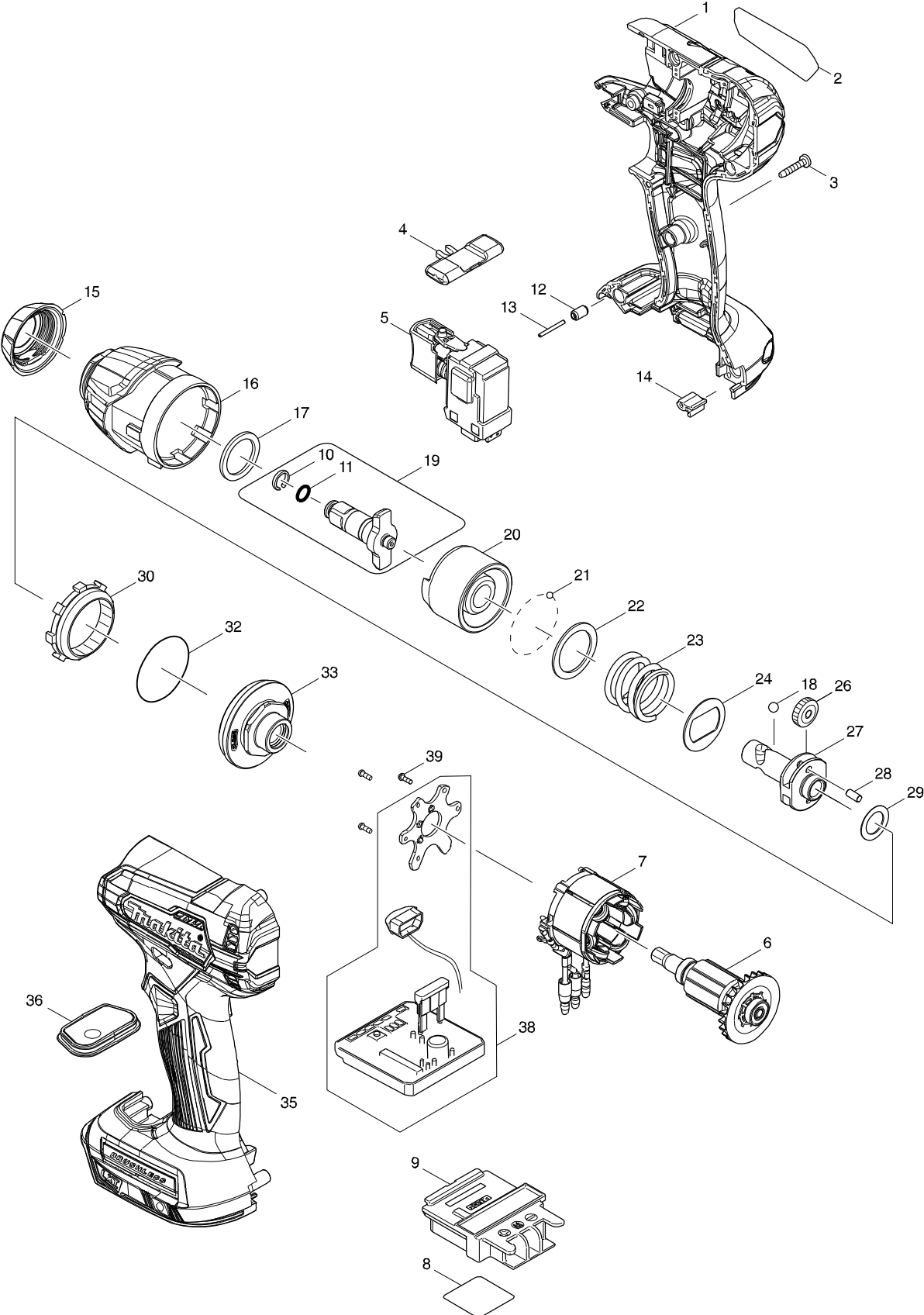


Modelo DTW180 CORDLESS IMPACT WRENCH



Modelo DTW180 CORDLESS IMPACT WRENCH

Pieza	Código	Descripción	Info	CTD.	N/O	Opc. 1	Opc. 2	OBS.
001	183J24-2	HOUSING SET		1				
C10	263005-3	RUBBER PIN 6		2				
C20	252126-6	HEX. LOCKING NUT M4-7		2				
D10		INC. 35						
002	854D82-6	DTW180 NAME PLATE		1				
003	266429-2	TAPPING SCREW 3X16		9				
004	455053-8	F/R CHANGE LEVER		1				
005	143975-1	SWITCH COMPLETE		1				
C10	424890-1	SWITCH COVER		1				
006	619491-0	ROTOR		1				
007	629334-8	STATOR		1				
008	854D86-8	DTW180 SERIAL NO. LABEL		1				
009	643860-3	TERMINAL		1				
010	233943-3	RING SPRING 8		1				
011	213960-9	O RING 5		1				
012	263036-2	RUBBER PIN 5		1				
013	268284-8	PIN 1.5		1				
014	424517-3	CUSHION		1				
015	422228-4	BUMPER		1				
016	144823-7	HAMMER CASE COMPLETE		1				
C10	213166-9	O RING 12.5		1				
017	261159-0	NYLON WASHER 19		1				
018	216002-8	STEEL BALL 4.8		2				
019	135932-3	ANVIL ASS'Y		1				
D10		INC. 10,11						
020	327045-6	HAMMER		1				
021	216019-1	STEEL BALL 3		24				
022	267352-4	FLAT WASHER 22		1				
023	232410-5	COMPRESSION SPRING 21		1				
024	267813-4	WASHER 21		1				
026	221437-0	SPUR GEAR 17		2				
027	327046-4	SPINDLE		1				
028	268217-3	PIN 3.5		2				
029	253052-2	FLAT WASHER 12		1				
030	227316-0	INTERNAL GEAR 43		1				
032	213479-8	O RING 33		1				
033	144829-5	BEARING BOX COMPLETE		1				
035	183J24-2	HOUSING SET		1				
C10	263005-3	RUBBER PIN 6		2				
C20	252126-6	HEX. LOCKING NUT M4-7		2				
D10		INC. 1						
036	144828-7	SWITCH PLATE COMPLETE		1				
038	620743-4	CONTROLLER		1				
039	266490-9	TAPPING SCREW PT 2X6		3				
A01	346449-3	HOOK		1				
A02	266622-8	+ TRUSS HEAD SCREW M4X12		1				
A03B	***DC18RC	DC18RC FAST CHARGER		1				
A03C	***DC18RC	DC18RC FAST CHARGER		1				

