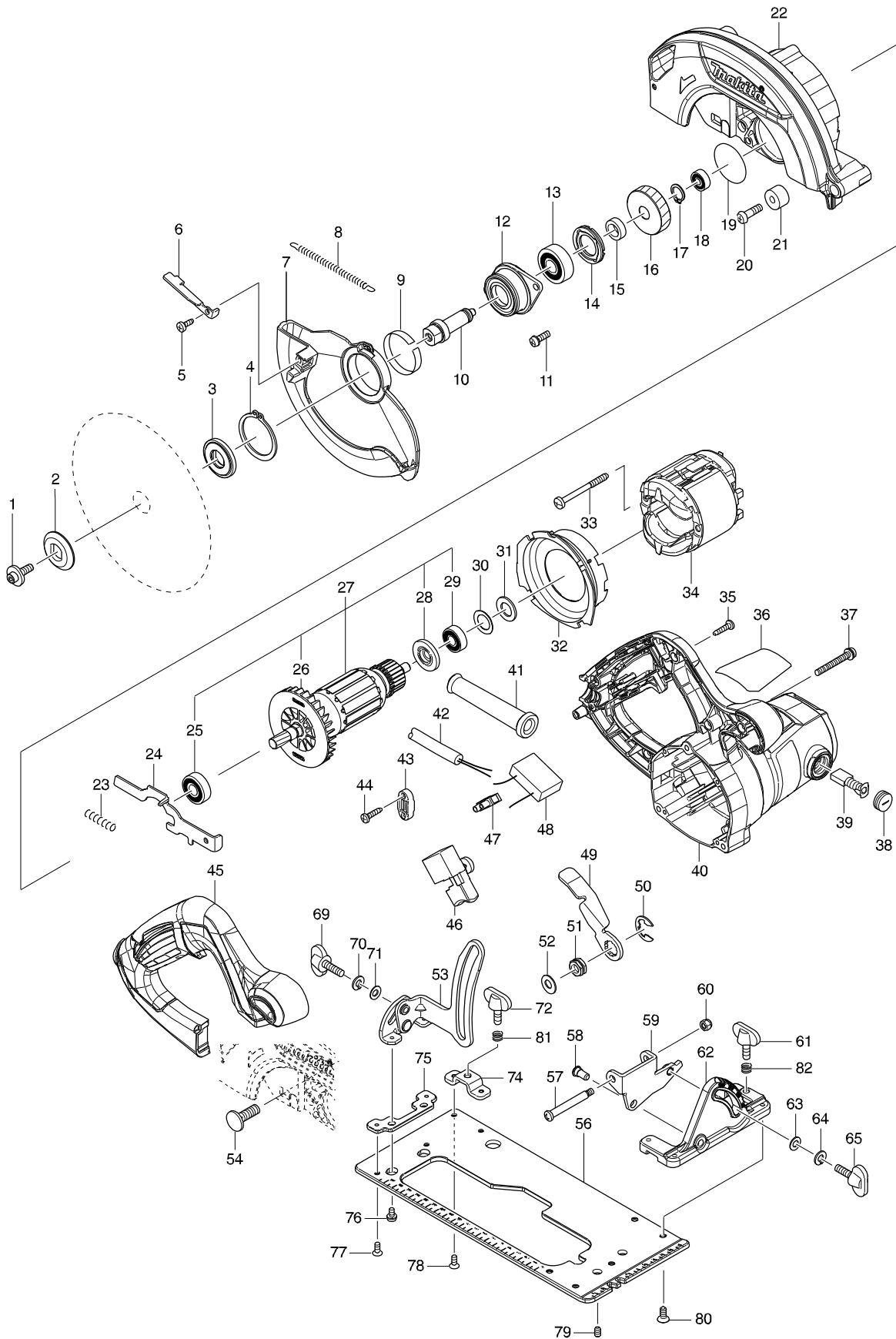


Modelo HS6600 165MM CIRCULAR SAW



Modelo HS6600 165MM CIRCULAR SAW

Pieza	Código	Descripción	Info	CTD.	N/O	Ventas	Compra	OBS.
001	266024-8	HEX. SOCKET HEAD BOLT M6X20		1		12.00		
002	224409-4	OUTER FLANGE 35		1		28.00	12.00	
003	224411-7	INNER FLANGE 35		1		23.00	10.00	
004	961155-5	RETAINING RING S-38		1		12.00		
005	266034-5	TAPPING SCREW CT 4X16		1		2.00		
006	345931-9	LEVER PLATE		1		12.00		
007	319307-6	SAFETY COVER		1				
008	231893-6	TENSION SPRING 4		1				
009	345391-5	THICKNESS RING		1		2.00		
010	326444-9	SPINDLE		1				
011	911226-8	PAN HEAD SCREW M5X18		2		2.00		
012	319088-2	BEARING BOX		1				
013	211129-9	BALL BEARING 6201DDW		1		75.00		
014	285852-2	BEARING RETAINER 19-33		1		19.00		
015	257173-2	RING 12		1		5.00		
016	227793-6	HELICAL GEAR 38		1				
017	961052-5	RETAINING RING S-12		1		2.00		
018	210028-2	BALL BEARING 606ZZ		1		21.00		
019	213512-6	O RING 39		1		12.00		
020	265117-8	+PAN HEAD SCREW M6X20		1		2.00		
021	262502-6	RUBBER SLEEVE 6		1		5.00		
022	143224-6	BLADE CASE COMPLETE		1				
C10	213821-3	O-RING 26		1				
023	233117-6	COMPRESSION SPRING 6		1		2.00		
024	345317-7	SHAFT LOCK		1		12.00		
025	210059-1	BALL BEARING 6000DDW		1		51.00		
026	240064-4	FAN 70		1		26.00		
027	513457-1	ARMATURE ASS'Y 115V		1				
D10		INC. 25,26,28,29						
028	681644-1	INSULATION WASHER		1		4.00		
029	210005-4	BALL BEARING 608DDW		1		56.00		
030	253192-6	FLAT WASHER 14		1		4.00		
031	261109-5	RUBBER WASHER 13		1		4.00		
032	455354-4	BAFFLE PLATE		1				
033	266418-7	TAPPING SCREW 5X55		2		4.00		
034	593887-2	FIELD ASSEMBLY 115V		1				
C10	654020-2	RING TERMINAL		2		4.00		
C20	654501-6	CONNECTOR P-1.25		2		2.00		
035	266326-2	TAPPING SCREW 4X18		5		2.00		
036	851N59-2	HS6600 NAME PLATE		1				
037	265104-7	PAN HEAD SCREW M5X40		3		2.00		
038	643750-0	BRUSH HOLDER CAP 7-11		2		9.00		
039	194996-6	CARBON BRUSH SET CB-303		1		63.00		
040	142872-8	MOTOR HOUSING COMPLETE		1				
C10	643708-9	BRUSH HOLDER 5-11		2		33.00		
041	682503-2	CORD GUARD 8-90		1		16.00		
042	664891-9	POWER SUPPLY CORD AWG#18-2-2.5		1		164.00		
043	687123-7	STRAIN RELIEF		1		2.00		

