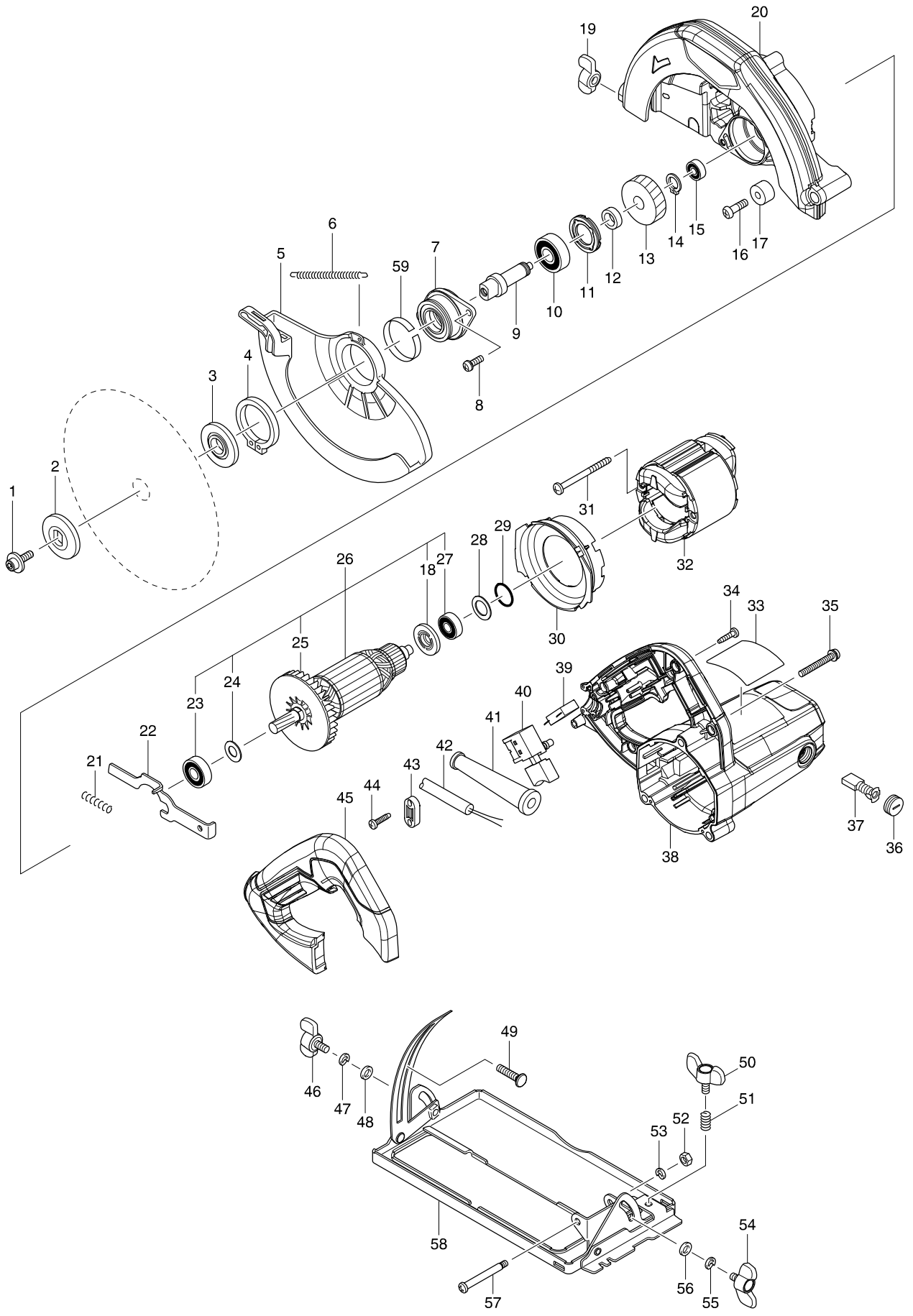


# Modelo M5801 185MM CIRCULAR SAW



# Modelo M5801 185MM CIRCULAR SAW

Pieza	Código	Descripción	Info	CTD.	N/O	Opc. 1	Opc. 2	OBS.
001	266819-9	HEX.SOKCET HEAD BOLT M6X20		1				
002	224396-7	OUTER FLANGE 40		1				
003	224395-9	INNER FLANGE 40		1				
004	961155-5	RETAINING RING S-38		1				
005	418150-1	SAFETY COVER		1				
006	231833-4	TENSION SPRING 3		1				
007	318880-3	BEARING BOX		1				
008	265120-9	PAN HEAD SCREW M5X16		2				
009	324395-0	SPINDLE		1				
010	211477-6	BALL BEARING 6201ZZ		1				
011	285852-2	BEARING RETAINER 19-33		1				
012	257173-2	RING 12		1				
013	227768-5	HELICAL GEAR 38		1				
014	961052-5	RETAINING RING S-12		1				
015	210137-7	BALL BEARING 606ZZ		1				
016	265117-8	+PAN HEAD SCREW M6X20		1				
017	262556-3	RUBBER SLEEVE 6		1				
018	681644-1	INSULATION WASHER		1				
019	252649-4	THUMB NUT M6		1				
020	143126-6	BLADE CASE COMPLETE		1				
C10	213445-5	O-RING 26		1				
021	233117-6	COMPRESSION SPRING 6		1				
022	345317-7	SHAFT LOCK		1				
023	210067-2	BALL BEARING 6000ZZ		1				
024	267256-0	FLAT WASHER 10		1				
025	240064-4	FAN 70		1				
026	513861-4	ARMATURE ASS'Y 115V		1				
D10		INC. 18,23-25,27						
027	210046-0	BALL BEARING 608ZZ		1				
028	267255-2	FLAT WASHER 14		1				
029	213279-6	O RING 18		1				
030	452092-9	BAFFLE PLATE		1				
031	266329-6	TAPPING SCREW 5X60		2				
032A	594606-9	FIELD ASS'Y 115V		1	*			
C10	654220-4	RING TERMINAL		2	*			
C20	654501-6	CONNECTOR P-1.25		2	*			
032-1A	593861-0	FIELD ASS'Y 115V	O	1				
C10	654220-4	RING TERMINAL		2				
C20	654501-6	CONNECTOR P-1.25		2				
032-1B	593861-0	FIELD ASS'Y 115V		1				
C10	654220-4	RING TERMINAL		2				
C20	654501-6	CONNECTOR P-1.25		2				
033	850U99-9	M5801 NAME PLATE		1				
034	266326-2	TAPPING SCREW 4X18		4				
035	265104-7	PAN HEAD SCREW M5X40		3				
036	644500-6	HOLDER CAP 7X11		2				
037	194996-6	CARBON BRUSH CB-303		1				
038	141719-3	MOTOR HOUSING COMPLETE		1				

