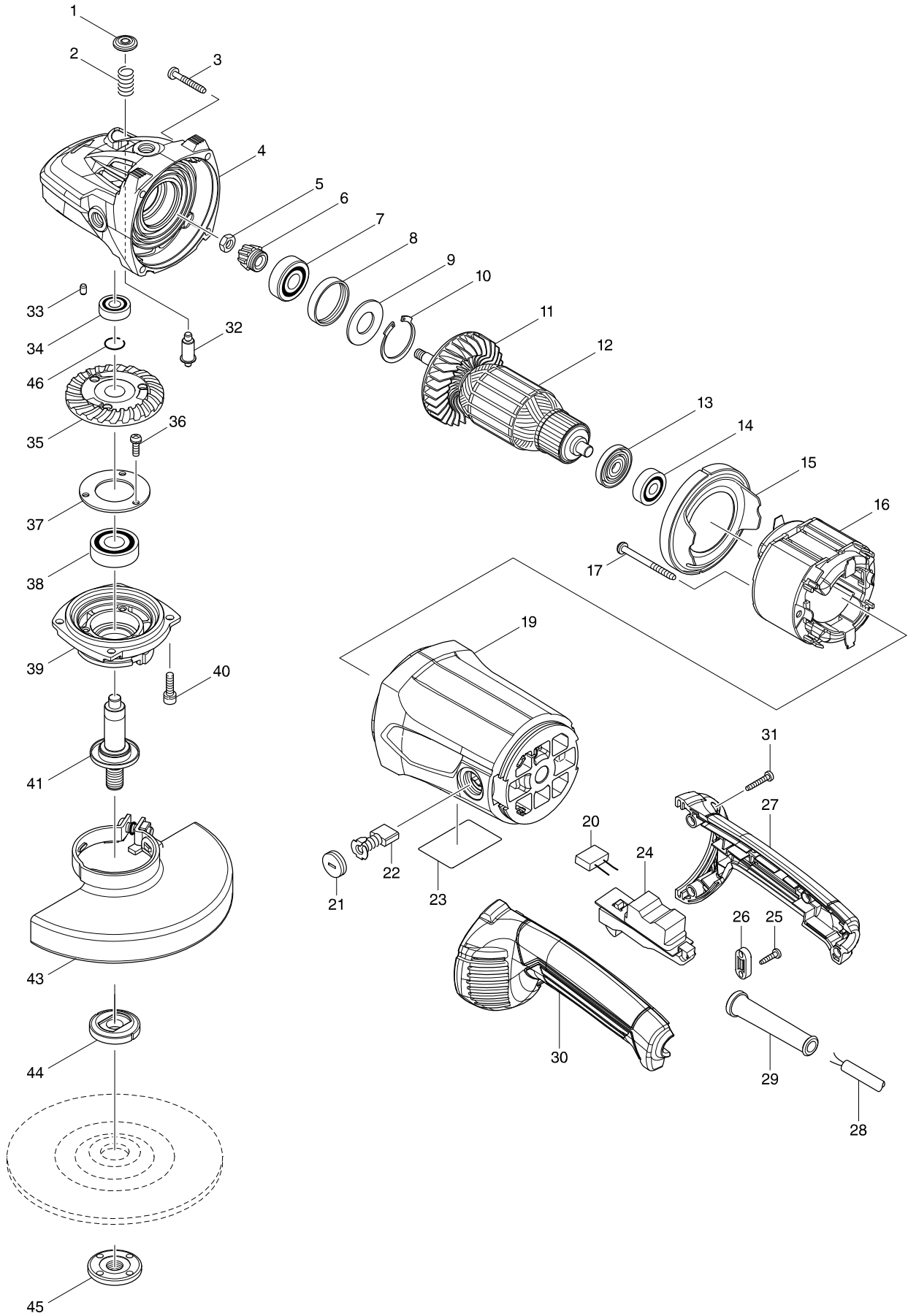


# Modelo M9000 180MM ANGLE GRINDER



# Modelo M9000 180MM ANGLE GRINDER

Pieza	Código	Descripción	Info	CTD.	N/O	Opc. 1	Opc. 2	OBS.
001	419133-4	PIN CAP		1				
002	233292-8	COMPRESSION SPRING 12		1				
003	266373-3	TAPPING SCREW 5X35		4				
004	142753-6	GEAR HOUSING COMPLETE		1				
D10		INC. 33						
005	252194-9	HEX. NUT M8		1				
006	227488-1	SPIRAL BEVEL GEAR 16		1				
007	210104-2	BALL BEARING 6301DDW		1				
008	262085-6	RUBBER RING 38		1				
009	267299-2	FLAT WASHER 20		1				
010	962211-4	RETAINING RING R-42		1				
011	240081-4	FAN 80		1				
012	516946-5	ARMATURE ASS'Y 115V		1				
D10		INC. 11,13,14						
013	681630-2	INSULATION WASHER		1				
014	210070-3	BALL BEARING 6200ZZ		1				
015	419135-0	BAFFLE PLATE		1				
016	596276-0	FIELD ASS'Y 115V		1				
C10	654197-3	RING TERMINAL		2				
C20	654502-4	CONNECTOR P-2		2				
017	266352-1	TAPPING SCREW 5X65		2				
019	143119-3	MOTOR HOUSING COMPLETE		1				
C10	643564-7	BRUSH HOLDER		2				
021	643700-5	BRUSH HOLDER CAP 7-18		2				
022	194992-4	CARBON BRUSH SET CB-204		1				
023	850W39-9	M9000 NAME PLATE		1				
024	651182-7	SWITCH HY44BC		1				
025	266326-2	TAPPING SCREW 4X18		2				
026	687124-5	STRAIN RELIEF		1				
027	188996-6	HANDLE SET		1				
D10		INC. 30						
028	664452-5	POWER SUPPLY CORD AWG#14-2-2.0		1				
029	682574-9	CORD GUARD 10-90		1				
030	188996-6	HANDLE SET		1				
D10		INC. 27						
031	266374-1	TAPPING SCREW 4X25		4				
032	256491-5	SHOULDER PIN 5		1				
033	263002-9	RUBBER PIN 4		1				
034	210067-2	BALL BEARING 6000ZZ		1				
035	227489-9	SPIRAL BEVEL GEAR 53 B		1				
036	265120-9	PAN HEAD SCREW M5X16		3				
037	285724-1	BEARING RETAINER 50		1				
038	211285-5	BALL BEARING 6203DDW		1				
039	318617-8	BEARING BOX		1				
040	265541-5	HEX. SOCKET HEAD BOLT M6X22		4				
041	158207-3	SPINDLE A COMPLETE		1				
043	122890-2	WHEEL COVER 180K ASS'Y		1				
C10	213017-6	O RING 6		1				

