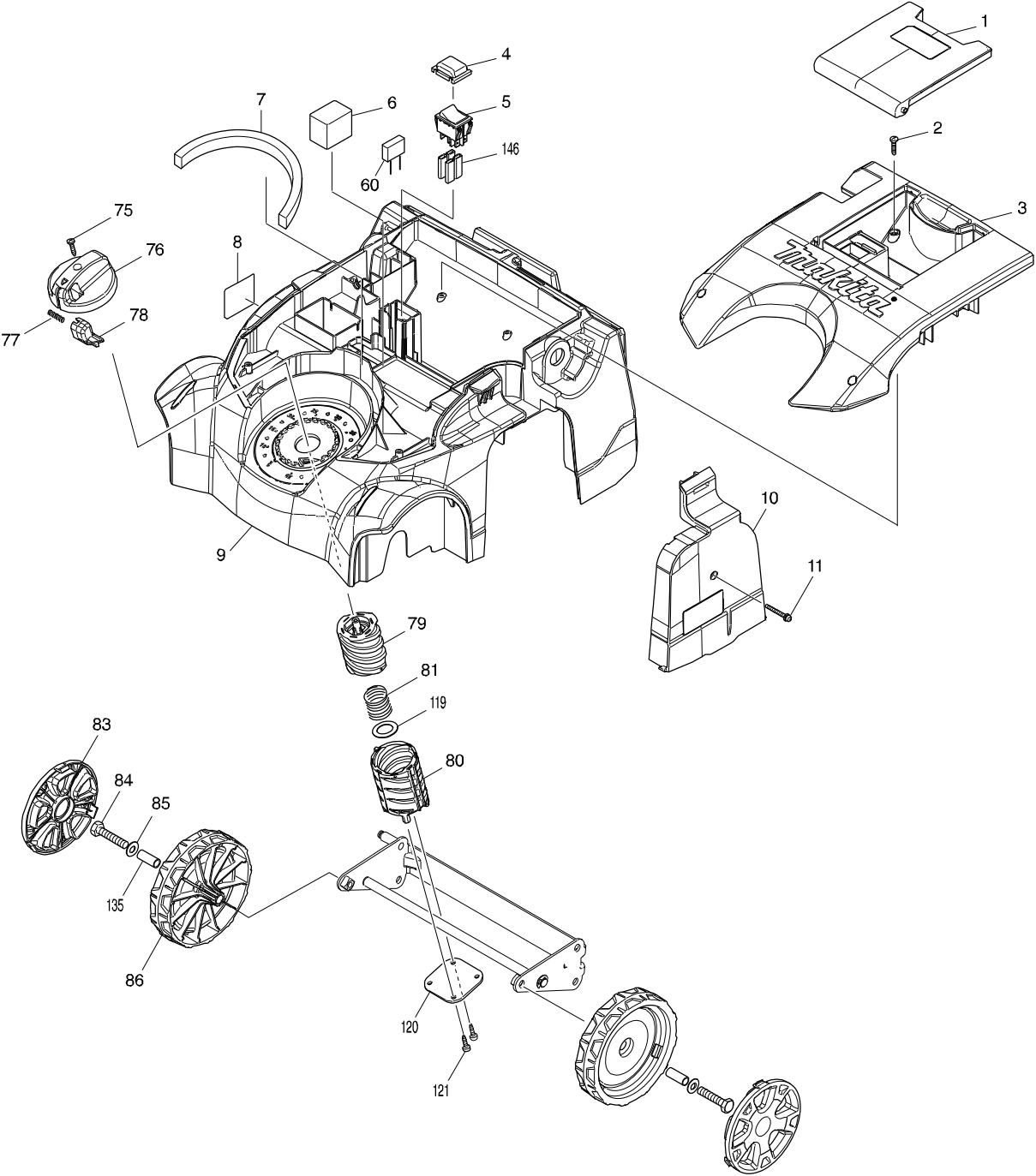
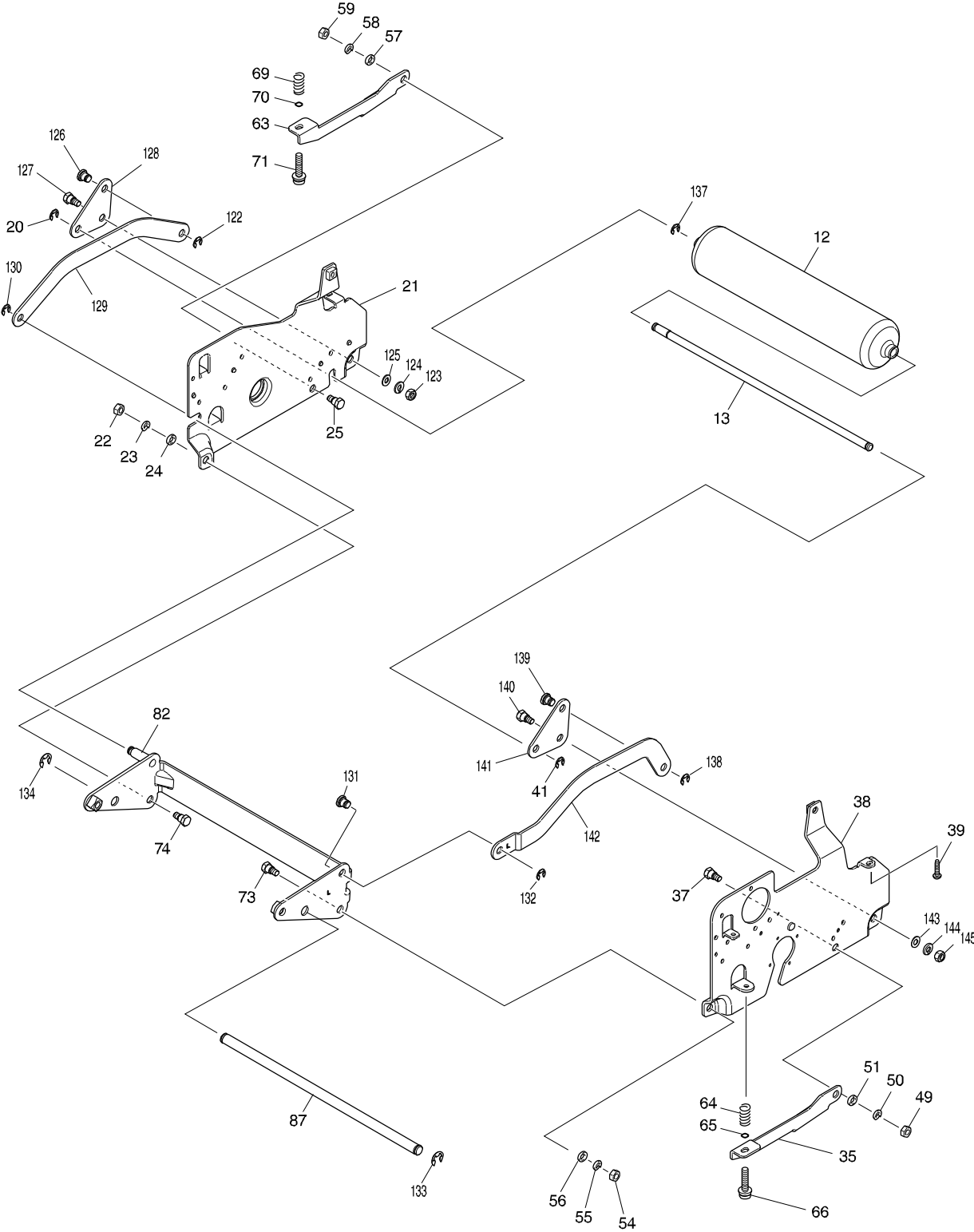


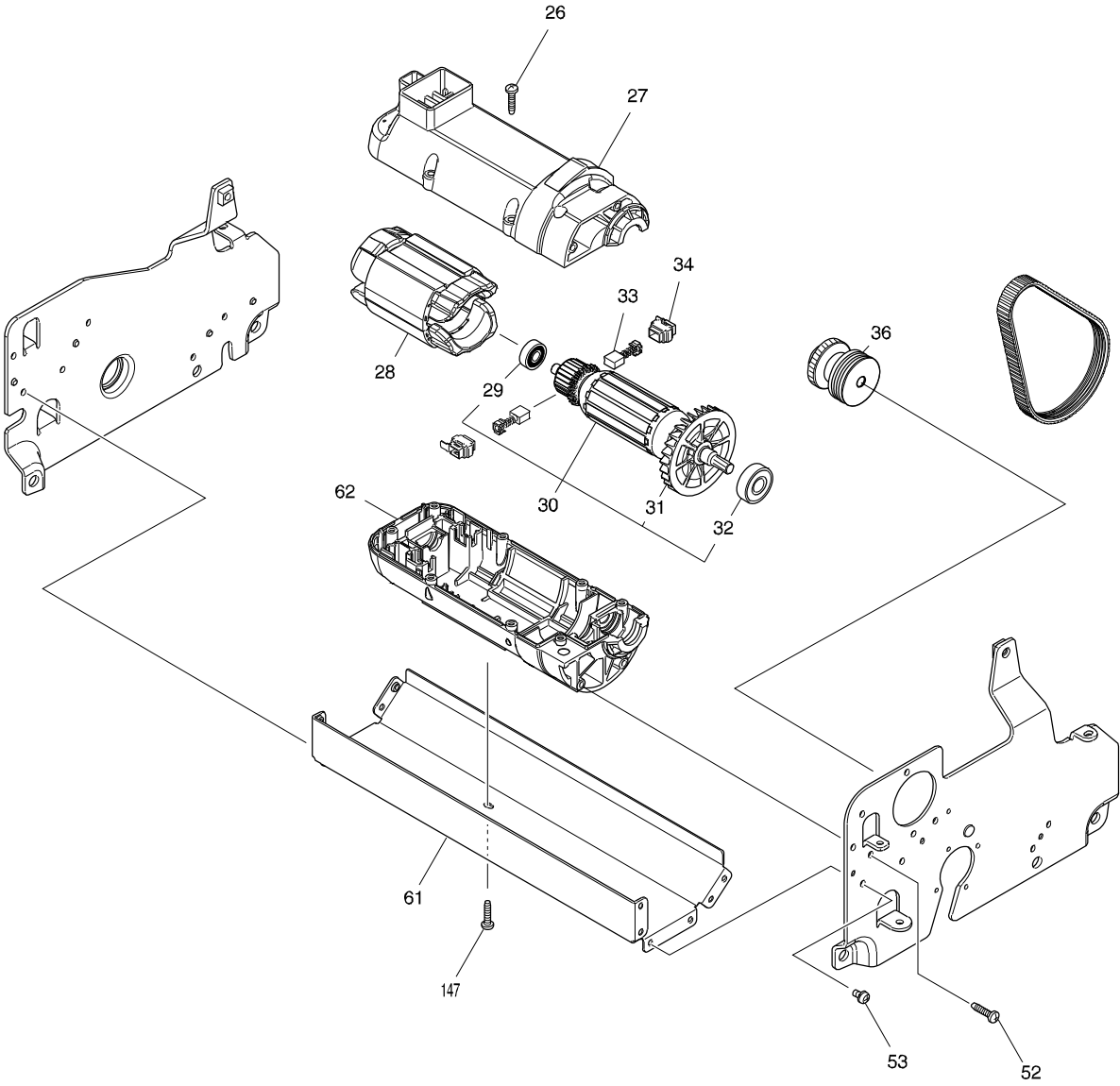
Modelo LM2851 230MM ELECTRIC LAWN MOWER



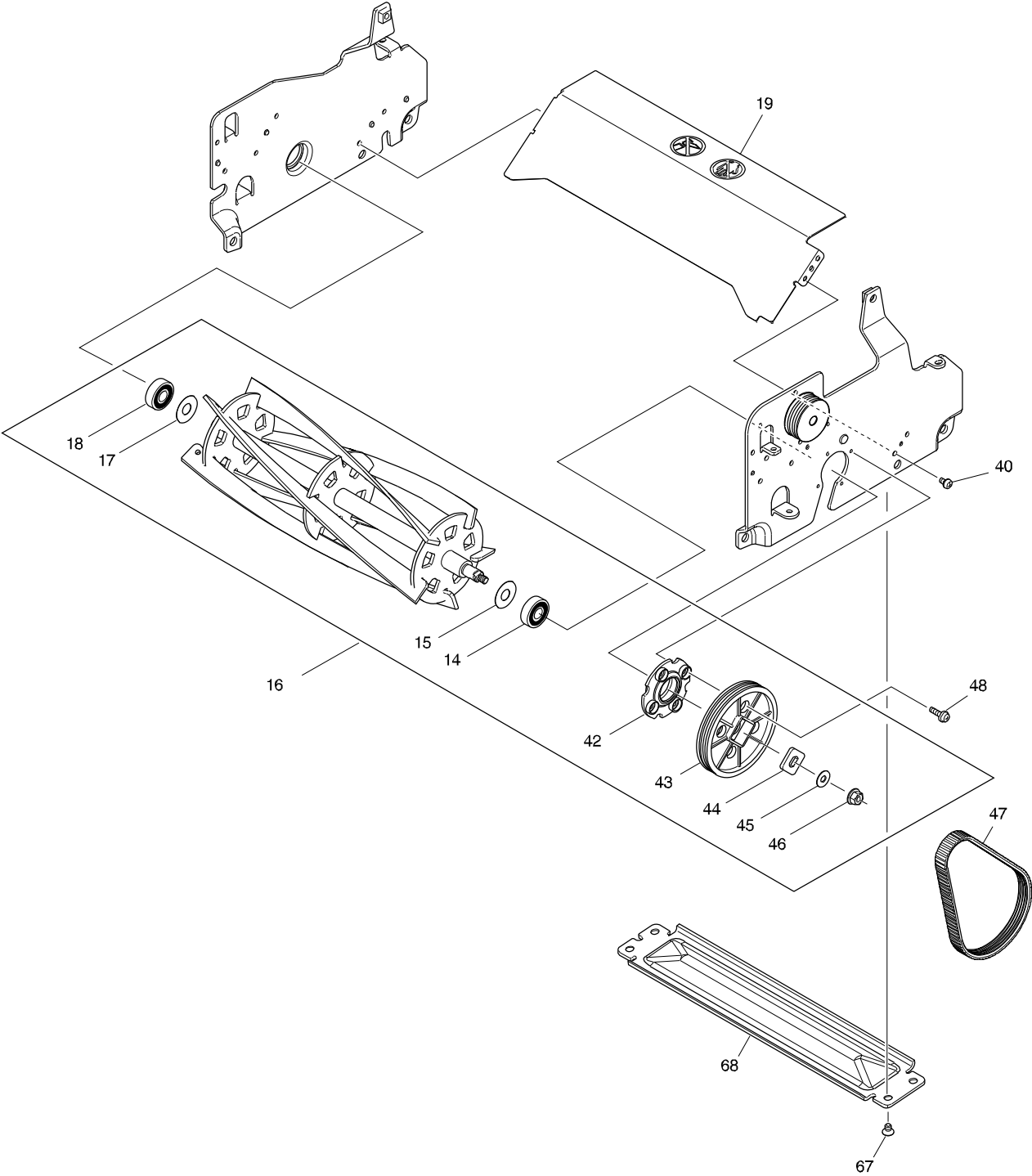
Modelo LM2851 230MM ELECTRIC LAWN MOWER



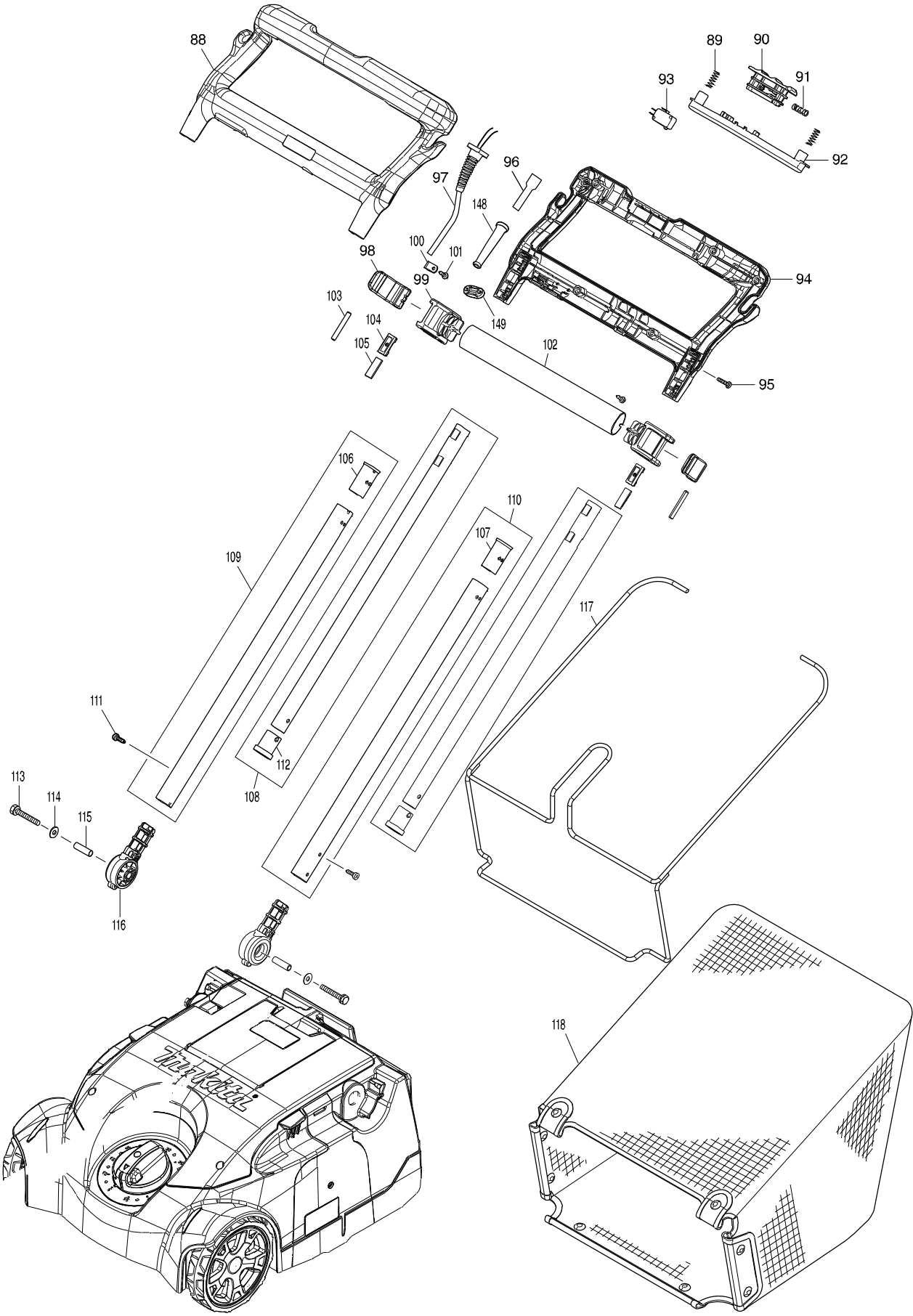
Modelo LM2851 230MM ELECTRIC LAWN MOWER



Modelo LM2851 230MM ELECTRIC LAWN MOWER



Modelo LM2851 230MM ELECTRIC LAWN MOWER



Pieza	Código	Descripción	Info	CTD.	N/O	Opc. 1	Opc. 2	OBS.
001	144506-9	SWITCH COVER COMPLETE M		1				
C10	892699-3	INDICATION LABEL		1				
002	266326-2	TORNILLO 4X18 P/MT240,MT580		4				
003	144500-1	TOP COVER COMPLETE M		1				
C10	892701-2	INDICATION LABEL		1				
004	421552-2	CUBRE POLVO P/407		1				
005	650643-4	INTERRUPTOR P/LM2350		1				
006	423419-0	FILTRO B P/LM2850		1				
007	424983-4	FILTER A		1				
008	852X60-0	LM2851 NAME PLATE		1				
009	144498-2	COWLING COMPLETE M		1				
C10	892545-0	CAUTION LABEL		1				
C20	812D64-4	INDICATION LABEL		2				
C30	812D66-0	INDICATION LABEL		1				
010	144504-3	SIDE COVER COMPLETE M		1				
C10	892702-0	CAUTION LABEL		1				
011	911158-9	TORNILLO P/1805B		1				
012	457519-4	ROLLER 8-282		1				
013	256355-3	ROD 8		1				
014	210141-6	BALL BEARING 6000DDW		1				
015	253353-8	THIN WASHER 10 P/LM2850		1				
016	198398-8	REEL BLADE 280 SET		1				
D10		INC. 14,15,17,18,42-46						
017	253353-8	THIN WASHER 10 P/LM2850		1				
018	210141-6	BALL BEARING 6000DDW		1				
019	347179-9	REAR PLATE		1				
020	961012-7	EMPAQUE P/9227C		1				
021	347173-1	SIDE PLATE R		1				
022	931302-2	TUERCA HEXAGONAL M6		1				
023	942151-2	ARANDELA DE PRESION P/2704		1				
024	941151-9	ARANDELA 6 P/5007NB, HM1303B, 5740		1				
025	265465-5	TORNILLO M6 P/LM2850		1				
026	266326-2	TORNILLO 4X18 P/MT240,MT580		8				
027	183F86-6	MOTOR HOUSING SET		1				
D10		INC. 62						
028	621846-7	FIELD		1				
029	210062-2	BALERO P/MT950		1				
030	513981-4	ARMATURE ASS'Y 115V		1				
D10		INC. 29,31,32						
031	240079-1	FAN 62		1				
032	210141-6	BALL BEARING 6000DDW		1				
033	195007-0	JUEGO DE CARBONES CB-407 P/FS42		1				
034	643936-6	DEPOSITO DEL CARBON P/6407		2				
035	347184-6	ADJUST PLATE L		1				
036	144465-7	GEAR COMPLETE		1				
037	265465-5	TORNILLO M6 P/LM2850		1				
038	347172-3	SIDE PLATE L		1				
039	266326-2	TORNILLO 4X18 P/MT240,MT580		4				

Pieza	Código	Descripción	Info	CTD.	N/O	Opc. 1	Opc. 2	OBS.
040	911110-7	TORNILLO M4X8 P/LM2300		4				
041	961012-7	EMPAQUE P/9227C		1				
042	452690-9	BEARING BOX		1				
043	222158-7	V PULLEY 5-83.8 P/LM2850		1				
044	267739-0	SQUARE WASHER 10 P/LM2850		1				
045	253804-1	ARANDELA 6 P/5630D, 3901, DP4002		1				
046	252149-4	TUERCA HEXAGONAL CON RESORTE		1				
047	225100-7	POLY V-BELT 5-374		1				
048	911113-1	TORNILLO M4-10 9005B		4				
049	931302-2	TUERCA HEXAGONAL M6		1				
050	942151-2	ARANDELA DE PRESION P/2704		1				
051	941151-9	ARANDELA 6 P/5007NB,HM1303B,574C		1				
052	266326-2	TORNILLO 4X18 P/MT240,MT580		4				
053	911110-7	TORNILLO M4X8 P/LM2300		8				
054	931302-2	TUERCA HEXAGONAL M6		1				
055	942151-2	ARANDELA DE PRESION P/2704		1				
056	941151-9	ARANDELA 6 P/5007NB,HM1303B,574C		1				
057	941151-9	ARANDELA 6 P/5007NB,HM1303B,574C		1				
058	942151-2	ARANDELA DE PRESION P/2704		1				
059	931302-2	TUERCA HEXAGONAL M6		1				
061	144510-8	COVER PLATE COMPLETE M		1				
C10	812D68-6	CAUTION LABEL		1				
062	183F86-6	MOTOR HOUSING SET		1				
D10		INC. 27						
063	347185-4	ADJUST PLATE R		1				
064	232380-8	COMPRESSION SPRING 8		1				
065	213045-1	ANILLO "O" P/BO3710		1				
066	266774-5	+ PAN HEAD SCREW M6X30 WITH WR		1				
067	912202-5	TORNILLO M5X8 P/5630D		4				
068	198396-2	FIXED BLADE 280 SET		1				
069	232380-8	COMPRESSION SPRING 8		1				
070	213045-1	ANILLO "O" P/BO3710		1				
071	266774-5	+ PAN HEAD SCREW M6X30 WITH WR		1				
073	265465-5	TORNILLO M6 P/LM2850		1				
074	265465-5	TORNILLO M6 P/LM2850		1				
075	266326-2	TORNILLO 4X18 P/MT240,MT580		1				
076	457512-8	DIAL 75		1				
077	234003-4	COMPRESSION SPRING 5		1				
078	457513-6	LOCK OFF BUTTON		1				
079	457514-4	ADJUST SCREW		1				
080	457515-2	ADJUST SCREW HOLDER		1				
081	232385-8	COMPRESSION SPRING 23		1				
082	347175-7	FRONT PLATE		1				
083	457517-8	CAP		2				
084	921461-0	TORNILLO HEX. M8X40 P/LS1030N		2				
085	253731-2	ARANDELA 8 P/63004		2				
086	457516-0	WHEEL 130		2				
087	256357-9	ROD 10		1				

Pieza	Código	Descripción	Info	CTD.	N/O	Opc. 1	Opc. 2	OBS.
088	183G34-1	GRIP SET		1				
	D10	INC. 94						
089	233068-3	RESORTE DE COMPRESION 6 P/LM23		2				
090	453185-5	PALANCA DEL INTERRUPTOR P/LM23		1				
091	233068-3	RESORTE DE COMPRESION 6 P/LM23		1				
092	453186-3	SOPORTE DEL INTERRUPTOR P/LM23		1				
093	650744-8	SWITCH D3V-16-3C26		1				
094	183G34-1	GRIP SET		1				
	D10	INC. 88						
095	266326-2	TORNILLO 4X18 P/MT240,MT580		10				
096	660296-1	POWER SUPPLY CORD		1				
097	699092-0	POWER SUPPLY CORD UNIT		1				
098	452572-5	PALANCA DE BLOQUEO P/LM2300		2				
099	452579-1	SOPORTE DE LA PALANCA P/LM2300		2				
100	687045-1	ABRAZADERA DEL CABLE P/LM2300		1				
101	266192-7	TORNILLO 4X14 P/2012NB		2				
102	326952-0	CENTER PIPE		1				
103	951178-1	PERNO P/LM2300		2				
104	452580-6	SOPORTE P/LM2300		2				
105	424391-9	BLOQUEO DE GOMA P/LM2300		2				
106	452577-5	TOPE DEL TUBO R P/LM2300		1				
107	452584-8	TOPE DEL TUBO L P/LM2300		1				
108	135470-5	TUBO COMPLETO P/LM2300		2				
	D10	INC. 112						
109	135471-3	TUBO INFERIOR R COMPLETO R P/LM		1				
	D10	INC. 106						
110	135472-1	TUBO INFERIOR L COMPLETO L P/LM		1				
	D10	INC. 107						
111	266192-7	TORNILLO 4X14 P/2012NB		4				
112	452578-3	TOPE DEL TUBO INFERIOR P/LM2300		2				
113	921361-4	HEX BOLT M6 X 40		2				
114	253804-1	ARANDELA 6 P/5630D, 3901, DP4002		2				
115	257690-2	PERNO 6 P/LM2300		2				
116	452573-3	CONEXIÓN P/LM2300		2				
117	161606-0	BUCKET FRAME		1				
118	161623-0	BUCKET		1				
119	267329-9	ARANDELA ESPACIADORA 18		1				
120	347183-8	PLATE		1				
121	266192-7	TORNILLO 4X14 P/2012NB		2				
122	961012-7	EMPAQUE P/9227C		1				
123	931302-2	TUERCA HEXAGONAL M6		1				
124	942151-2	ARANDELA DE PRESION P/2704		1				
125	941151-9	ARANDELA 6 P/5007NB,HM1303B,574C		1				
126	256358-7	FLAT FILLISTER HD. PIN 8		1				
127	265465-5	TORNILLO M6 P/LM2850		1				
128	347182-0	LINK PLATE		1				
129	347181-2	CONNECTING PLATE R		1				
130	961012-7	EMPAQUE P/9227C		1				

Pieza	Código	Descripción	Info	CTD.	N/O	Opc. 1	Opc. 2	OBS.
131	256358-7	FLAT FILLISTER HD. PIN 8		1				
132	961012-7	EMPAQUE P/9227C		1				
133	961014-3	EMPAQUE DE TOPE E-8 P/LP1812C		1				
134	961014-3	EMPAQUE DE TOPE E-8 P/LP1812C		1				
135	257419-6	SLEEVE 8		2				
137	961012-7	EMPAQUE P/9227C		1				
138	961012-7	EMPAQUE P/9227C		1				
139	256358-7	FLAT FILLISTER HD. PIN 8		1				
140	265465-5	TORNILLO M6 P/LM2850		1				
141	347182-0	LINK PLATE		1				
142	347180-4	CONNECTING PLATE L		1				
143	941151-9	ARANDELA 6 P/5007NB, HM1303B, 574C		1				
144	942151-2	ARANDELA DE PRESION P/2704		1				
145	931302-2	TUERCA HEXAGONAL M6		1				
146	686036-9	RECEPTACLE SLEEVE		4				
147	266326-2	TORNILLO 4X18 P/MT240, MT580		1				
148	682569-2	CUBRE CABLE P/MT811		1				
149	687123-7	BRIDA DE CABLE, MT580		1				
A01	154511-8	CORD HOLDER COMPLETE		1				
A02	192928-7	LAPPING COMPOUND SET		1				
A04	743337-9	BRUSH		1				