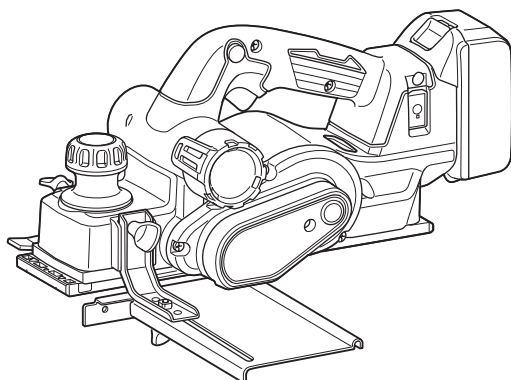


INSTRUCTION MANUAL
MANUEL D'INSTRUCTION
MANUAL DE INSTRUCCIONES



Cordless Planer Rabot sans Fil Cepillo Inalámbrico

DKP181



IMPORTANT: Read Before Using.

IMPORTANT : Lire avant usage.

IMPORTANTE: Lea antes de usar.

SPECIFICATIONS

| | |
|-------------------|------------------------------|
| Model: | DKP181 |
| Rated voltage | D.C. 18 V |
| Planing width | 82 mm (3-1/4") |
| Planing depth | 3 mm (1/8") |
| Shiplapping depth | 25 mm (1") |
| No load speed | 12,000 /min |
| Overall length | 366 mm (14-3/8") |
| Net weight | 3.3 - 3.6 kg (7.3 - 7.9 lbs) |

- Due to our continuing program of research and development, the specifications herein are subject to change without notice.
- Specifications and battery cartridge may differ from country to country.
- The weight may differ depending on the attachment(s), including the battery cartridge. The lightest and heaviest combinations, according to EPTA-Procedure 01/2014, are shown in the table.

Applicable battery cartridge and charger

| | |
|-------------------|--|
| Battery cartridge | BL1815N / BL1820B / BL1830 / BL1830B / BL1840B / BL1850B / BL1860B |
| Charger | DC18RC / DC18RD / DC18RE / DC18SD / DC18SE / DC18SF |

- Some of the battery cartridges and chargers listed above may not be available depending on your region of residence.

⚠ WARNING: Only use the battery cartridges and chargers listed above. Use of any other battery cartridges and chargers may cause injury and/or fire.

SAFETY WARNINGS

General power tool safety warnings

⚠ WARNING: Read all safety warnings, instructions, illustrations and specifications provided with this power tool. Failure to follow all instructions listed below may result in electric shock, fire and/or serious injury.

Save all warnings and instructions for future reference.

The term "power tool" in the warnings refers to your mains-operated (corded) power tool or battery-operated (cordless) power tool.

Work area safety

1. **Keep work area clean and well lit.** Cluttered or dark areas invite accidents.
2. **Do not operate power tools in explosive atmospheres, such as in the presence of flammable liquids, gases or dust.** Power tools create sparks which may ignite the dust or fumes.
3. **Keep children and bystanders away while operating a power tool.** Distractions can cause you to lose control.

Electrical Safety

1. **Power tool plugs must match the outlet. Never modify the plug in any way. Do not use any adapter plugs with earthed (grounded) power tools.** Unmodified plugs and matching outlets will reduce risk of electric shock.
2. **Avoid body contact with earthed or grounded surfaces, such as pipes, radiators, ranges and refrigerators.** There is an increased risk of electric shock if your body is earthed or grounded.
3. **Do not expose power tools to rain or wet conditions.** Water entering a power tool will increase the risk of electric shock.
4. **Do not abuse the cord. Never use the cord for carrying, pulling or unplugging the power tool. Keep cord away from heat, oil, sharp edges or moving parts.** Damaged or entangled cords increase the risk of electric shock.
5. **When operating a power tool outdoors, use an extension cord suitable for outdoor use.** Use of a cord suitable for outdoor use reduces the risk of electric shock.
6. **If operating a power tool in a damp location is unavoidable, use a ground fault circuit interrupter (GFCI) protected supply.** Use of a GFCI reduces the risk of electric shock.
7. **Power tools can produce electromagnetic fields (EMF) that are not harmful to the user.** However, users of pacemakers and other similar medical devices should contact the maker of their device and/or doctor for advice before operating this power tool.

Personal Safety

1. **Stay alert, watch what you are doing and use common sense when operating a power tool. Do not use a power tool while you are tired or under the influence of drugs, alcohol or medication.** A moment of inattention while operating power tools may result in serious personal injury.
2. **Use personal protective equipment. Always wear eye protection.** Protective equipment such as dust mask, non-skid safety shoes, hard hat, or hearing protection used for appropriate conditions will reduce personal injuries.
3. **Prevent unintentional starting. Ensure the switch is in the off-position before connecting to power source and/or battery pack, picking up or carrying the tool.** Carrying power tools with your finger on the switch or energising power tools that have the switch on invites accidents.
4. **Remove any adjusting key or wrench before turning the power tool on.** A wrench or a key left attached to a rotating part of the power tool may result in personal injury.
5. **Do not overreach. Keep proper footing and balance at all times.** This enables better control of the power tool in unexpected situations.
6. **Dress properly. Do not wear loose clothing or jewellery. Keep your hair, clothing and gloves away from moving parts.** Loose clothes, jewellery or long hair can be caught in moving parts.
7. **If devices are provided for the connection of dust extraction and collection facilities, ensure these are connected and properly used.** Use of dust collection can reduce dust-related hazards.
8. **Do not let familiarity gained from frequent use of tools allow you to become complacent and ignore tool safety principles.** A careless action can cause severe injury within a fraction of a second.
9. **Always wear protective goggles to protect your eyes from injury when using power tools. The goggles must comply with ANSI Z87.1 in the USA. It is an employer's responsibility to enforce the use of appropriate safety protective equipment by the tool operators and by other persons in the immediate working area.**

Power tool use and care

1. **Do not force the power tool. Use the correct power tool for your application.** The correct power tool will do the job better and safer at the rate for which it was designed.
2. **Do not use the power tool if the switch does not turn it on and off.** Any power tool that cannot be controlled with the switch is dangerous and must be repaired.
3. **Disconnect the plug from the power source and/or remove the battery pack, if detachable, from the power tool before making any adjustments, changing accessories, or storing power tools.** Such preventive safety measures reduce the risk of starting the power tool accidentally.
4. **Store idle power tools out of the reach of children and do not allow persons unfamiliar with the power tool or these instructions to operate the power tool.** Power tools are dangerous in the hands of untrained users.

5. **Maintain power tools and accessories. Check for misalignment or binding of moving parts, breakage of parts and any other condition that may affect the power tool's operation. If damaged, have the power tool repaired before use.** Many accidents are caused by poorly maintained power tools.
6. **Keep cutting tools sharp and clean.** Properly maintained cutting tools with sharp cutting edges are less likely to bind and are easier to control.
7. **Use the power tool, accessories and tool bits etc. in accordance with these instructions, taking into account the working conditions and the work to be performed.** Use of the power tool for operations different from those intended could result in a hazardous situation.
8. **Keep handles and grasping surfaces dry, clean and free from oil and grease.** Slippery handles and grasping surfaces do not allow for safe handling and control of the tool in unexpected situations.
9. **When using the tool, do not wear cloth work gloves which may be entangled.** The entanglement of cloth work gloves in the moving parts may result in personal injury.

Battery tool use and care

1. **Recharge only with the charger specified by the manufacturer.** A charger that is suitable for one type of battery pack may create a risk of fire when used with another battery pack.
2. **Use power tools only with specifically designated battery packs.** Use of any other battery packs may create a risk of injury and fire.
3. **When battery pack is not in use, keep it away from other metal objects, like paper clips, coins, keys, nails, screws or other small metal objects, that can make a connection from one terminal to another.** Shorting the battery terminals together may cause burns or a fire.
4. **Under abusive conditions, liquid may be ejected from the battery; avoid contact. If contact accidentally occurs, flush with water. If liquid contacts eyes, additionally seek medical help.** Liquid ejected from the battery may cause irritation or burns.
5. **Do not use a battery pack or tool that is damaged or modified.** Damaged or modified batteries may exhibit unpredictable behaviour resulting in fire, explosion or risk of injury.
6. **Do not expose a battery pack or tool to fire or excessive temperature.** Exposure to fire or temperature above 130 °C may cause explosion.
7. **Follow all charging instructions and do not charge the battery pack or tool outside the temperature range specified in the instructions.** Charging improperly or at temperatures outside the specified range may damage the battery and increase the risk of fire.

Service

1. **Have your power tool serviced by a qualified repair person using only identical replacement parts.** This will ensure that the safety of the power tool is maintained.
2. **Never service damaged battery packs.** Service of battery packs should only be performed by the manufacturer or authorized service providers.

3. Follow instruction for lubricating and changing accessories.
4. Do not modify or attempt to repair the appliance or the battery pack except as indicated in the instructions for use and care.

Cordless Planer Safety Warnings

1. **Wait for the cutter to stop before setting the tool down.** An exposed rotating cutter may engage the surface leading to possible loss of control and serious injury.
2. **Use clamps or another practical way to secure and support the workpiece to a stable platform.** Holding the workpiece by your hand or against the body leaves it unstable and may lead to loss of control.
3. **Rags, cloth, cord, string and the like should never be left around the work area.**
4. **Avoid cutting nails.** Inspect for and remove all nails from the workpiece before operation.
5. **Use only sharp blades.** Handle the blades very carefully.
6. **Be sure the blade installation bolts are securely tightened before operation.**
7. **Hold the tool firmly with both hands.**
8. **Keep hands away from rotating parts.**
9. **Before using the tool on an actual workpiece, let it run for a while.** Watch for vibration or wobbling that could indicate poor installation or a poorly balanced blade.
10. **Make sure the blade is not contacting the workpiece before the switch is turned on.**
11. **Wait until the blade attains full speed before cutting.**
12. **Always switch off and wait for the blades to come to a complete stop before adjusting depth of cut.**
13. **Never stick your finger into the chip chute.** Chute may jam when cutting damp wood. Clean out chips with a stick.
14. **Do not leave the tool running.** Operate the tool only when hand-held.
15. **When replace the blades or some parts on the drum, make sure to replace the parts on both sides of the drum as a set.** Otherwise, the resulting imbalance will cause vibration and shorten tool life.
16. **Use only Makita blades specified in this manual.**
17. **Always use the correct dust mask/respirator for the material and application you are working with.**
18. **Operate the tool on stable condition.** Operation on unstable condition may cause a damage injury.

SAVE THESE INSTRUCTIONS.

⚠WARNING: DO NOT let comfort or familiarity with product (gained from repeated use) replace strict adherence to safety rules for the subject product.

MISUSE or failure to follow the safety rules stated in this instruction manual may cause serious personal injury.

Important safety instructions for battery cartridge

1. Before using battery cartridge, read all instructions and cautionary markings on (1) battery charger, (2) battery, and (3) product using battery.
2. Do not disassemble battery cartridge.
3. If operating time has become excessively shorter, stop operating immediately. It may result in a risk of overheating, possible burns and even an explosion.
4. If electrolyte gets into your eyes, rinse them out with clear water and seek medical attention right away. It may result in loss of your eyesight.
5. Do not short the battery cartridge:
 - (1) Do not touch the terminals with any conductive material.
 - (2) Avoid storing battery cartridge in a container with other metal objects such as nails, coins, etc.
 - (3) Do not expose battery cartridge to water or rain.

A battery short can cause a large current flow, overheating, possible burns and even a breakdown.
6. Do not store the tool and battery cartridge in locations where the temperature may reach or exceed 50 °C (122 °F).
7. Do not incinerate the battery cartridge even if it is severely damaged or is completely worn out. The battery cartridge can explode in a fire.
8. Be careful not to drop or strike battery.
9. Do not use a damaged battery.
10. The contained lithium-ion batteries are subject to the Dangerous Goods Legislation requirements. For commercial transports e.g. by third parties, forwarding agents, special requirement on packaging and labeling must be observed. For preparation of the item being shipped, consulting an expert for hazardous material is required. Please also observe possibly more detailed national regulations. Tape or mask off open contacts and pack up the battery in such a manner that it cannot move around in the packaging.
11. **When disposing the battery cartridge, remove it from the tool and dispose of it in a safe place.** Follow your local regulations relating to disposal of battery.
12. **Use the batteries only with the products specified by Makita.** Installing the batteries to non-compliant products may result in a fire, excessive heat, explosion, or leak of electrolyte.
13. **If the tool is not used for a long period of time, the battery must be removed from the tool.**

SAVE THESE INSTRUCTIONS.

⚠CAUTION: Only use genuine Makita batteries. Use of non-genuine Makita batteries, or batteries that have been altered, may result in the battery bursting causing fires, personal injury and damage. It will also void the Makita warranty for the Makita tool and charger.

Tips for maintaining maximum battery life

1. Charge the battery cartridge before completely discharged. Always stop tool operation and charge the battery cartridge when you notice less tool power.
2. Never recharge a fully charged battery cartridge. Overcharging shortens the battery service life.
3. Charge the battery cartridge with room temperature at 10 °C - 40 °C (50 °F - 104 °F). Let a hot battery cartridge cool down before charging it.
4. Charge the battery cartridge if you do not use it for a long period (more than six months).

Symbols

The followings show the symbols used for tool.

| | |
|--------------------|---|
| V | volts |
| — — — | direct current |
| n ₀ | no load speed |
| ... /min r /min | revolutions or reciprocation per minute |

Important safety instructions for wireless unit

1. Do not disassemble or tamper with the wireless unit.
2. Keep the wireless unit away from young children. If accidentally swallowed, seek medical attention immediately.
3. Use the wireless unit only with Makita tools.
4. Do not expose the wireless unit to rain or wet conditions.
5. Do not use the wireless unit in places where the temperature exceeds 50°C (122°F).
6. Do not operate the wireless unit in places where medical instruments, such as heart pace makers are nearby.
7. Do not operate the wireless unit in places where automated devices are nearby. If operated, automated devices may develop malfunction or error.
8. Do not operate the wireless unit in places under high temperature or places where static electricity or electrical noise could be generated.
9. The wireless unit can produce electromagnetic fields (EMF) but they are not harmful to the user.
10. The wireless unit is an accurate instrument. Be careful not to drop or strike the wireless unit.
11. Avoid touching the terminal of the wireless unit with bare hands or metallic materials.
12. Always remove the battery on the product when installing the wireless unit into it.
13. When opening the lid of the slot, avoid the place where dust and water may come into the slot. Always keep the inlet of the slot clean.
14. Always insert the wireless unit in the correct direction.
15. Do not press the wireless activation button on the wireless unit too hard and/or press the button with an object with a sharp edge.
16. Always close the lid of the slot when operating.
17. Do not remove the wireless unit from the slot while the power is being supplied to the tool. Doing so may cause a malfunction of the wireless unit.
18. Do not remove the sticker on the wireless unit.
19. Do not put any sticker on the wireless unit.
20. Do not leave the wireless unit in a place where static electricity or electrical noise could be generated.
21. Do not leave the wireless unit in a place subject to high heat, such as a car sitting in the sun.
22. Do not leave the wireless unit in a dusty or powdery place or in a place corrosive gas could be generated.
23. Sudden change of the temperature may bedew the wireless unit. Do not use the wireless unit until the dew is completely dried.
24. When cleaning the wireless unit, gently wipe with a dry soft cloth. Do not use benzine, thinner, conductive grease or the like.
25. When storing the wireless unit, keep it in the supplied case or a static-free container.
26. Do not insert any devices other than Makita wireless unit into the slot on the tool.
27. Do not use the tool with the lid of the slot damaged. Water, dust, and dirt come into the slot may cause malfunction.
28. Do not pull and/or twist the lid of the slot more than necessary. Restore the lid if it comes off from the tool.
29. Replace the lid of the slot if it is lost or damaged.

SAVE THESE INSTRUCTIONS.

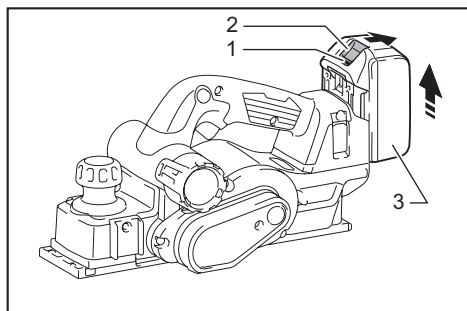
FUNCTIONAL DESCRIPTION

CAUTION: Always be sure that the tool is switched off and the battery cartridge is removed before adjusting or checking function on the tool.

Installing or removing battery cartridge

CAUTION: Always switch off the tool before installing or removing of the battery cartridge.

CAUTION: Hold the tool and the battery cartridge firmly when installing or removing battery cartridge. Failure to hold the tool and the battery cartridge firmly may cause them to slip off your hands and result in damage to the tool and battery cartridge and a personal injury.



► 1. Red indicator 2. Button 3. Battery cartridge

To remove the battery cartridge, slide it from the tool while sliding the button on the front of the cartridge.

To install the battery cartridge, align the tongue on the battery cartridge with the groove in the housing and slide it into place. Insert it all the way until it locks in place with a little click. If you can see the red indicator on the upper side of the button, it is not locked completely.

CAUTION: Always install the battery cartridge fully until the red indicator cannot be seen. If not, it may accidentally fall out of the tool, causing injury to you or someone around you.

CAUTION: Do not install the battery cartridge forcibly. If the cartridge does not slide in easily, it is not being inserted correctly.

Tool / battery protection system

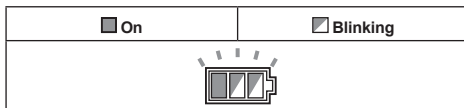
The tool is equipped with a tool/battery protection system. This system automatically cuts off power to the motor to extend tool and battery life. The tool will automatically stop during operation if the tool or battery is placed under one of the following conditions.

Overload protection

When the tool is operated in a manner that causes it to draw an abnormally high current, the tool automatically stops. In this situation, turn the tool off and stop the application that caused the tool to become overloaded. Then turn the tool on to restart.

Overheat protection

When the tool is overheated, the tool stops automatically, and the battery indicator blink about 60 seconds. In this situation, let the tool cool down before turning the tool on again.

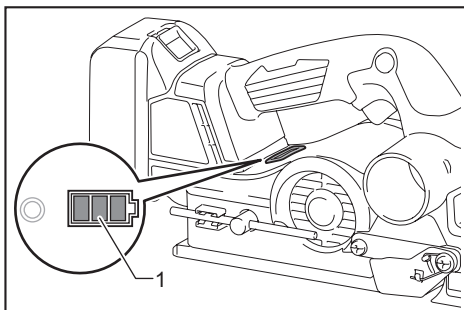


Overdischarge protection

When the battery capacity becomes low, the tool stops automatically. If the product does not operate even when the switches are operated, remove the batteries from the tool and charge the batteries.

Indicating the remaining battery capacity

When you pull the switch trigger, the battery indicator shows the remaining battery capacity.



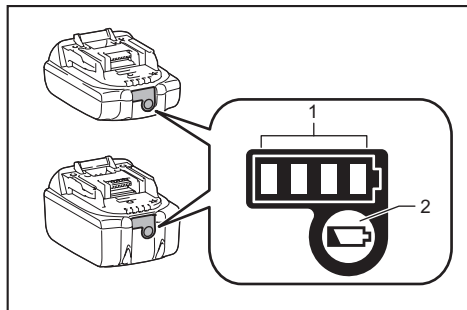
► 1. Battery indicator

The remaining battery capacity is shown as the following table.

| Battery indicator status | | | Remaining battery capacity |
|-----------------------------|------------------------------|--|----------------------------|
| <input type="checkbox"/> On | <input type="checkbox"/> Off | <input checked="" type="checkbox"/> Blinking | |
| | | | 50% to 100% |
| | | | 20% to 50% |
| | | | 0% to 20% |
| | | | Charge the battery |

Indicating the remaining battery capacity

Only for battery cartridges with the indicator



► 1. Indicator lamps 2. Check button

Press the check button on the battery cartridge to indicate the remaining battery capacity. The indicator lamps light up for a few seconds.

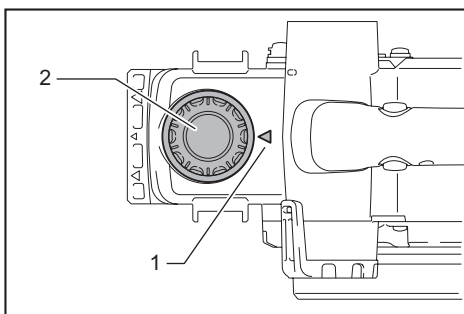
| Indicator lamps | | | Remaining capacity |
|-----------------|---------|----------|-------------------------------------|
| Lighted | Off | Blinking | |
| ■ | □ | ▬ | 75% to 100% |
| ■ ■ ■ ■ | □ □ □ □ | | 50% to 75% |
| ■ ■ | □ □ | | 25% to 50% |
| ■ | □ □ □ □ | | 0% to 25% |
| ▬ | □ □ □ □ | | Charge the battery. |
| ■ ■ □ □ | □ □ | | The battery may have malfunctioned. |
| □ □ ■ ■ | | ↑ ↓ | |

NOTE: Depending on the conditions of use and the ambient temperature, the indication may differ slightly from the actual capacity.

Adjusting depth of cut

CAUTION: Be sure the blades stopped completely before adjusting depth of cut.

Depth of cut may be adjusted by simply turning the knob on the front of the tool so that the pointer points the desired depth of cut.



► 1. Pointer 2. Knob

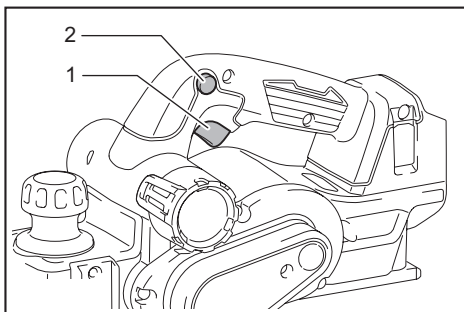
Switch action

WARNING: Before installing the battery cartridge into the tool, always check to see that the switch trigger actuates properly and returns to the "OFF" position when released.

WARNING: NEVER defeat the lock-off button by taping down or some other means. A switch with a negated lock-off button may result in unintentional operation and serious personal injury.

WARNING: NEVER use the tool if it runs when you simply pull the switch trigger without pressing the lock-off button. A switch in need of repair may result in unintentional operation and serious personal injury. Return tool to a Makita service center for proper repairs BEFORE further usage.

To prevent the switch trigger from being accidentally pulled, a lock-off button is provided. To start the tool, depress the lock-off button and pull the switch trigger. Release the switch trigger to stop.



► 1. Switch trigger 2. Lock-off button

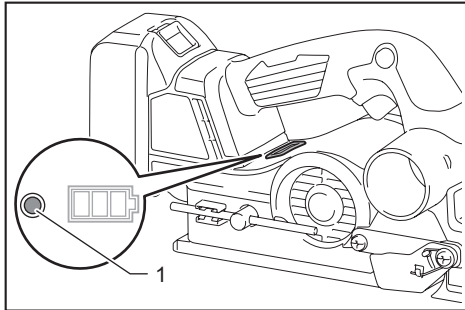
NOTICE: Do not pull the switch trigger hard without pressing in the lock-off button. This can cause switch breakage.

Electric brake

This tool is equipped with an electric brake. If the tool consistently fails to quickly stop after the switch trigger is released, have the tool serviced at a Makita service center.

Automatic speed change function

This tool has "high speed mode" and "high torque mode". The tool automatically changes the operation mode depending on the work load. When the work load is low, the tool will run in the "high speed mode" for quicker cutting operation. When the work load is high, the tool will run in the "high torque mode" for powerful cutting operation.



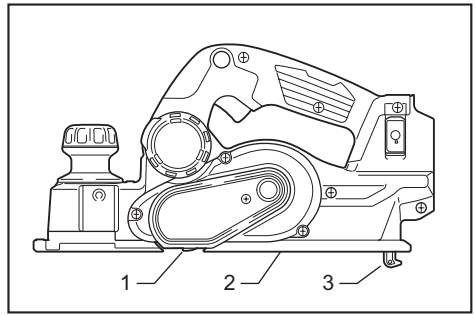
► 1. Mode indicator

The mode indicator lights up in green when the tool is running in "high torque mode". If the tool is operated with excessive load, the mode indicator will blink in green. The mode indicator stops blinking and then lights up or turns off if you reduce the load on the tool.

| Mode indicator status | | | Operation mode |
|-----------------------|-------|------------|------------------|
| ● On | ○ Off | ● Blinking | |
| | ○ | | High speed mode |
| | ● | | High torque mode |
| | | ● | Overload alert |

Foot

After a cutting operation, raise the backside of the tool and a foot comes under the level of the rear base. This prevents the planer blades to be damaged.



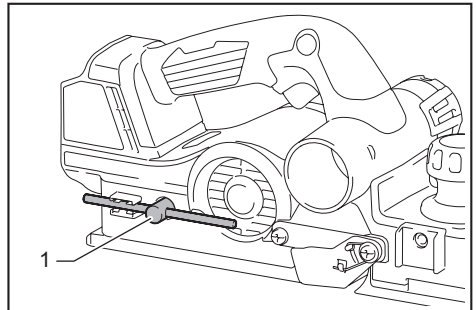
► 1. Planer blade 2. Rear base 3. Foot

ASSEMBLY

CAUTION: Always be sure that the tool is switched off and the battery cartridge is removed before carrying out any work on the tool.

Box wrench storage

When not in use, store the box wrench as shown in the figure to keep it from being lost.



► 1. Box wrench

Removing or installing planer blades

CAUTION: Tighten the blade installation bolts carefully when attaching the blades to the tool. Always check to see they are tightened securely. A loose installation bolt can be dangerous.

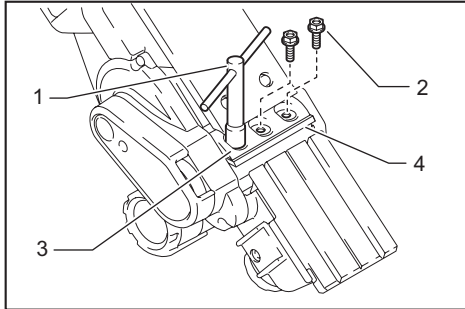
CAUTION: Handle the blades very carefully. Use gloves or rags to protect your fingers or hands when removing or installing the blades.

CAUTION: Use only the Makita wrench provided to remove or install the blades. Failure to do so may result in overtightening or insufficient tightening of the installation bolts. This could cause an injury.

NOTICE: To install planer blades, clean out all chips or foreign matter adhering to the drum or the planer blades. Use planer blades of the same dimensions and weight, otherwise drum oscillation/vibration, causing poor planing action, and tool breakdown will result.

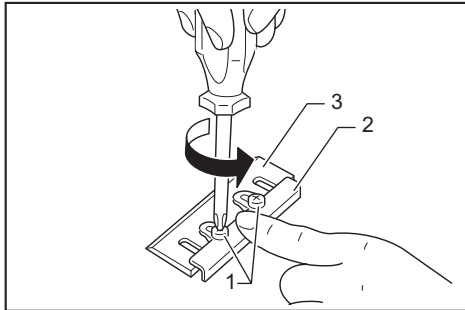
For tool with conventional planer blades

- To remove the conventional planer blades from the tool, unscrew the installation bolts with the box wrench.
The drum plate and the conventional planer blade with adjusting plate come off.



- 1. Box wrench 2. Installation bolt 3. Drum plate
4. Conventional blade (with adjusting plate)

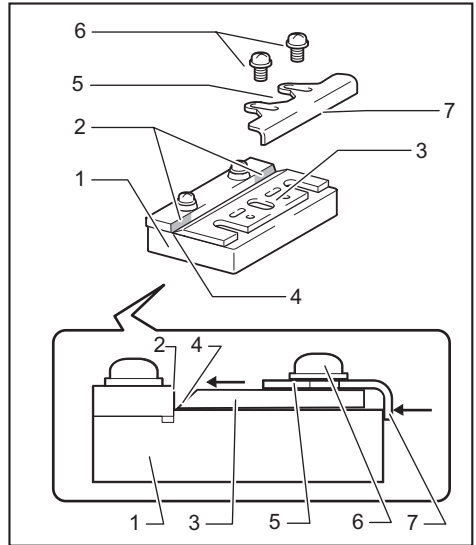
- Unscrew and remove the adjusting plate.



- 1. Screw 2. Adjusting plate 3. Conventional planer blade

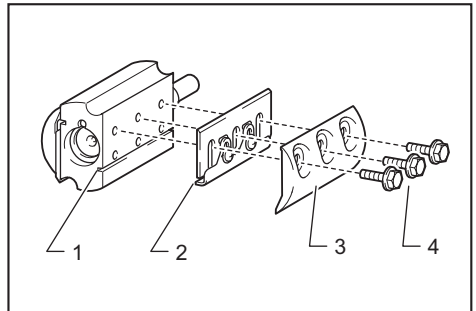
- To install the conventional planer blades, place the conventional planer blade on the blade gauge so that the blade edge is perfectly flush with the inside edge of the blade gauge.
- Place the adjusting plate on the conventional planer blade, then simply press in the heel of the adjusting plate flush with the backside of the blade gauge.

- Tighten two screws on the adjusting plate while the adjusting plate being pressed.



- 1. Blade gauge 2. Inside edge of blade gauge
3. Conventional planer blade 4. Blade edge (of conventional planer blade) 5. Adjusting plate 6. Screw
7. Heel

- Clean out all chips or foreign matter adhering to the drum and the conventional planer blade.
- Slip the heel of the adjusting plate into the drum groove, then fit the drum plate on it.

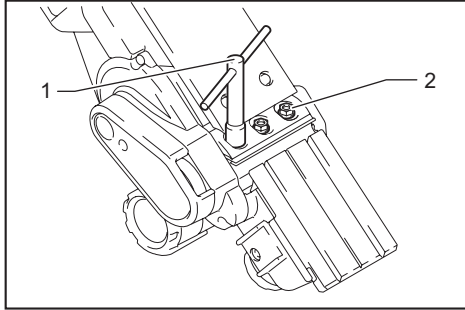


- 1. Drum groove 2. Heel 3. Drum plate 4. Installation bolt

- Tighten all the installation bolts evenly and alternately with the box wrench.
- Repeat the above procedures for the other conventional planer blade.

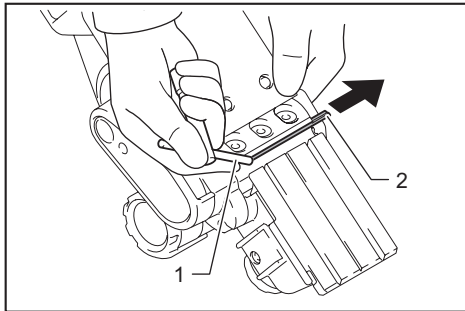
For tool with mini planer blades

1. To remove the mini planer blades from the tool, loosen the installation bolts one turn with the box wrench.



► 1. Box wrench 2. Installation bolt

2. Slide and remove the mini planer blade from the belt side of the tool. Using the haft of the box wrench makes it easier and safety.



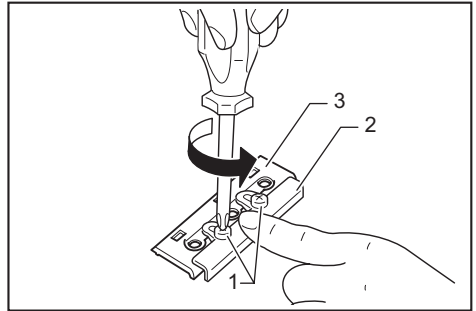
► 1. Haft of the box wrench 2. Mini planer blade

3. To install the mini planer blades, clean out all chips or foreign matter adhering to the drum and the mini planer blade.
4. Slide the mini planer blade from opposite side of the belt of the tool.
5. Tighten all the installation bolts evenly and alternately with the box wrench.
6. Repeat the above procedures for the other mini planer blade.

To calibrate the relation between the set plate and the adjusting plate, perform the following procedure.

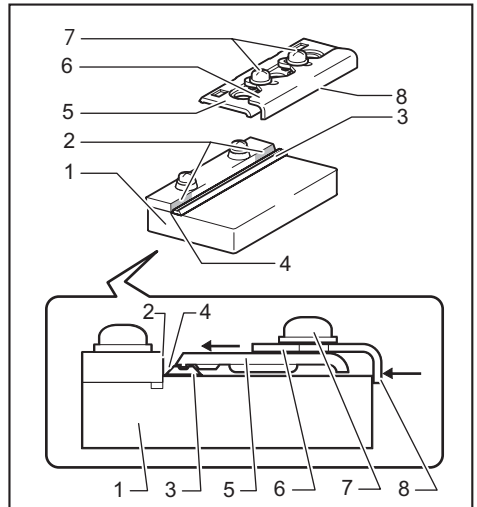
1. Loosen the installation bolts one turn with the box wrench, remove the mini planer blades from the tool first, and then remove the installation bolts. The drum plate and the set plate with adjusting plate come off.

2. Loosen the screws one turn on the adjusting plate.



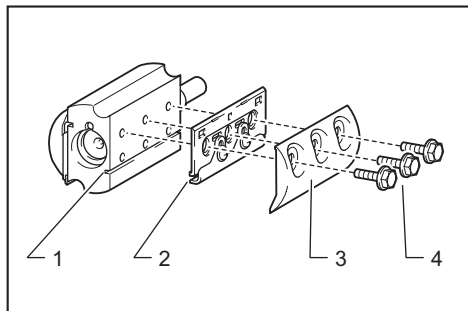
► 1. Screw 2. Adjusting plate 3. Set plate

3. Clean out all chips or foreign matter adhering to the set plate with adjusting plate and the mini planer blade.
4. Place the mini planer blade on the blade gauge so that the blade edge is perfectly flush with the inside edge of the blade gauge.
5. Place the set plate with the adjusting plate, so that the locating lugs of the set plate align on the rest of the mini planer blade.
6. Press in the heel of the adjusting plate flush with the backside of the blade gauge.
7. Tighten two screws on the adjusting plate while the adjusting plate being pressed.



► 1. Blade gauge 2. Inside edge of blade gauge 3. Mini planer blade 4. Blade edge (of mini planer blade) 5. Set plate 6. Adjusting plate 7. Screw 8. Heel

8. Slip the heel of the adjusting plate into the groove of the drum.



- 1. Drum groove 2. Heel 3. Drum plate 4. Installation bolt

9. Screw all the installation bolts with the box wrench. Then install the mini planer blade.

For the correct planer blade setting

Your planing surface will end up rough and uneven, unless the blade is set properly and securely. The blade must be mounted so that the cutting edge is absolutely level, that is, parallel to the surface of the rear base.

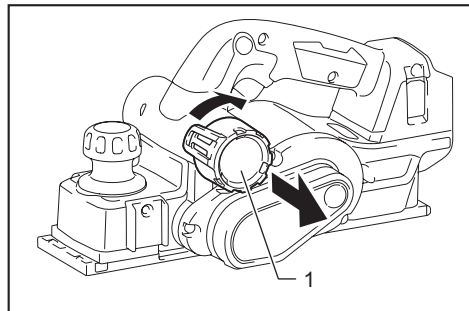
Refer to some examples below for proper and improper settings.

| Planing surface | Blade setting | Cause |
|-----------------|---------------|--|
| | | Although this side view cannot show it, the edge of the blades run perfectly parallel to rear base surface |
| | | Both blade edges fails to protrude enough in relation to rear base line. |
| | | One or both blade edges protrude too far in relation to rear base line. |
| | | One or both blades fails to have edge parallel to rear base line. |

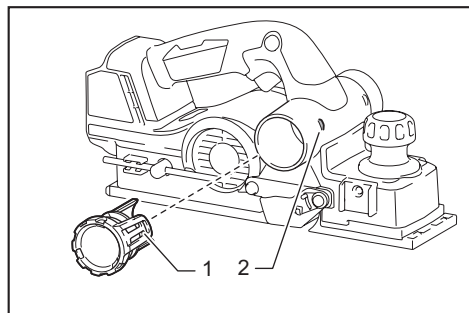
(A): Front base (Movable shoe)
 (B): Rear base (Stationary shoe)

Change of chip discharge direction

Chip discharge direction can be changed to the right or left. To change the direction, pull out the stopper while turning it slightly backward and fit in it in one of two openings on the opposite side of chip discharge so that the recessed part fits to protrusion.



► 1. Stopper

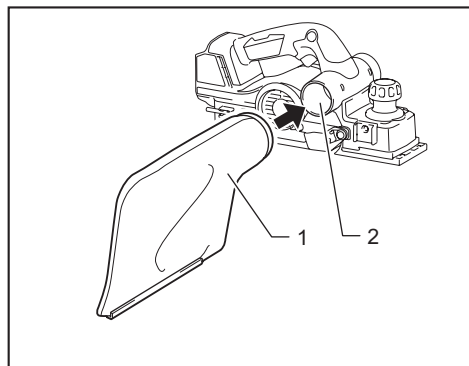


► 1. Recessed part 2. Protrusion

Dust bag

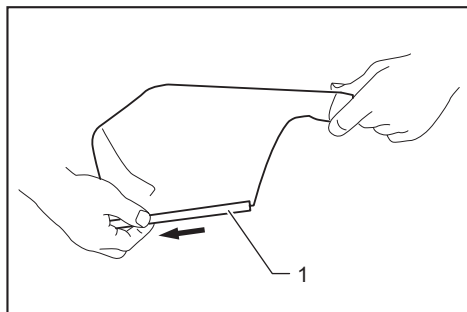
Optional accessory

Attach the dust bag onto the chip discharge opening. The chip discharge opening is tapered. When attaching the dust bag, push it onto the chip discharge opening firmly as far as it will go to prevent it from coming off during operation.



► 1. Dust bag 2. Chip discharge opening

When the dust bag is about half full, remove the dust bag from the tool and pull the fastener out. Empty the dust bag. Tap the dust bag lightly to remove particles adhering inside, which might hamper further collection.

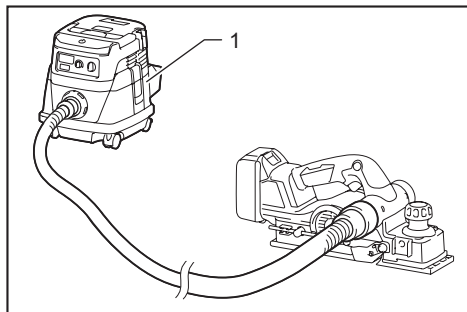


► 1. Fastener

NOTE: If you connect a Makita vacuum cleaner to this tool, more efficient and cleaner operations can be performed.

Connecting a vacuum cleaner

When you wish to perform clean planing operation, connect a Makita vacuum cleaner to your tool. Connect a hose of the vacuum cleaner to the chip discharge opening as shown in the figures.

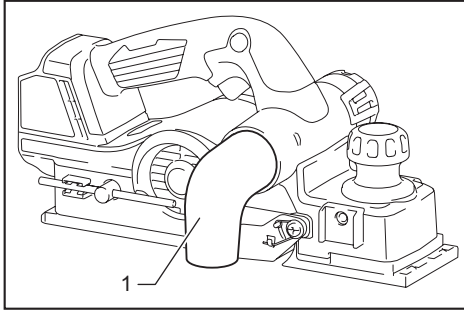


► 1. Vacuum cleaner

Elbow

Optional accessory

Use of elbow allows change of chip discharge direction to perform cleaner work.
Insert the elbow into the chip discharge opening. To remove it, just pull it out.



► 1. Elbow

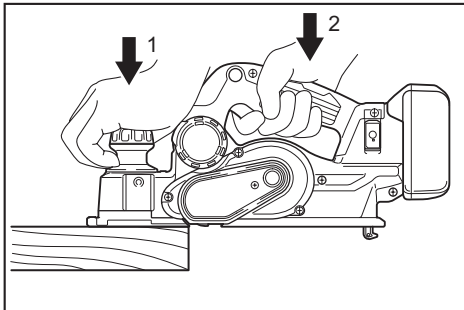
OPERATION

Hold the tool firmly with one hand on the knob and the other hand on the switch handle when operating the tool.

Planing operation

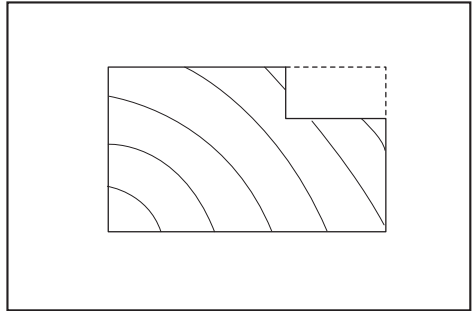
First, rest the tool front base flat upon the workpiece surface without the blades making any contact. Switch on and wait until the blades attain full speed. Then move the tool gently forward. Apply pressure on the front of tool at the start of planing, and at the back at the end of planing. Planing will be easier if you incline the workpiece in stationary fashion, so that you can plane somewhat downhill.

The speed and depth of cut determine the kind of finish. The tool keeps cutting at a speed that will not result in jamming by chips. For rough cutting, the depth of cut can be increased, while for a good finish you should reduce the depth of cut and advance the tool more slowly.



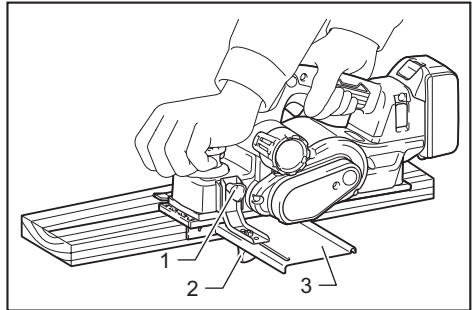
► 1. Start 2. End

Shiplapping (Rabbeting)



To make a stepped cut as shown in the figure, use the edge fence (guide rule).

Install the edge fence on the tool. Secure it with the washer and thumb screw (A). Loosen the thumb screw (B) and adjust the edge fence until it comes in contact with the side of the workpiece. Then tighten the thumb screw (B) securely.

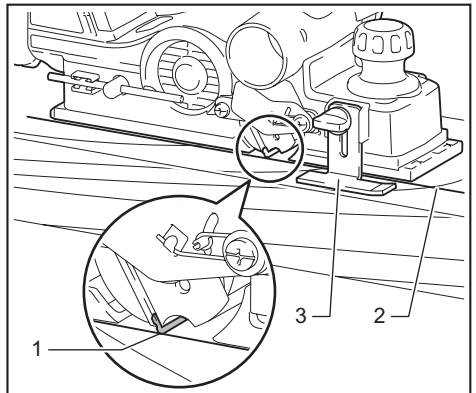


► 1. Screw (A) 2. Screw (B) 3. Edge fence

Draw a cutting line on the workpiece. Align the blade edge with the cutting line.

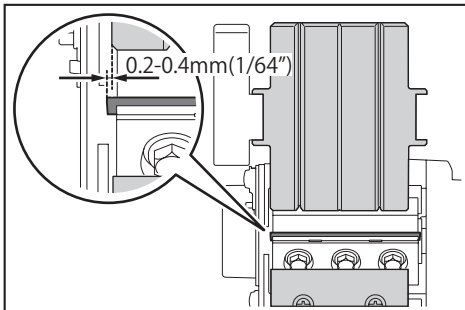
Adjust the shiplapping depth using a depth guide.

When planing, move the tool with the edge fence flush with the side of the workpiece. Otherwise, uneven planing may result.

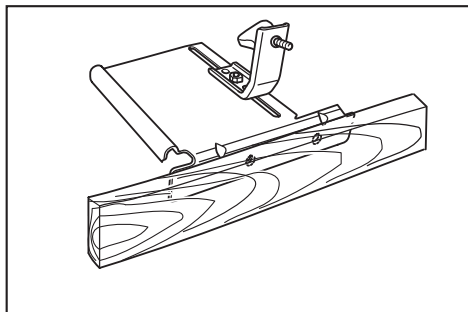


► 1. Blade edge 2. Cutting line 3. Depth guide

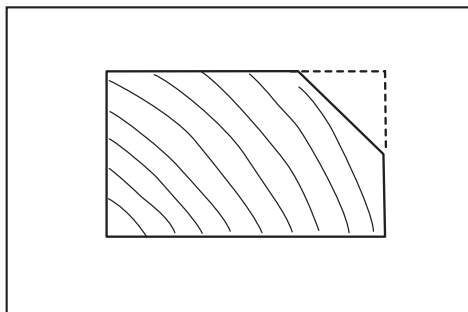
NOTICE: The blade edge should be made to protrude outside slightly (0.2 - 0.4 mm (1/64")) for shiplapping.



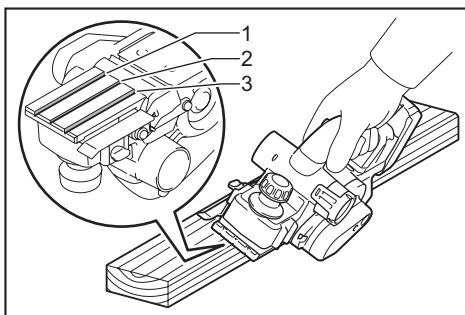
You can extend the length of the fence by attaching an extra piece of wood. Convenient holes are provided in the fence for this purpose.



Chamfering



To make a chamfering cut as shown in the figure, align one of three "V" grooves in the front base with the edge of the workpiece and plane it.

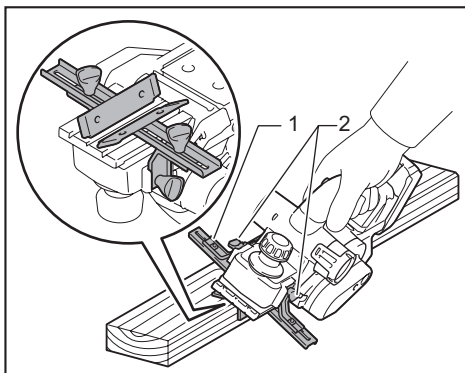


- 1. V groove (medium amount of chamfering) 2. V groove (small amount of chamfering) 3. V groove (great amount of chamfering)

Use of chamfering rule (optional accessory) assures more tool stability when chamfering.

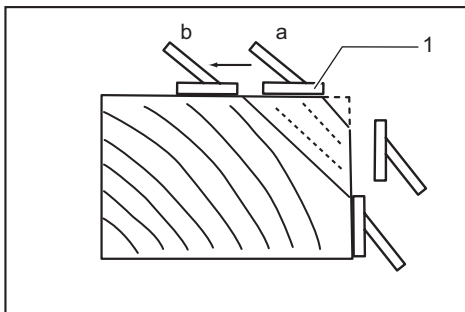
To install the chamfering rule, remove two screws on both sides of the front of the tool.

Then install the chamfering rule on the front base of the tool and secure it the screws as shown in the figure.



- 1. Chamfering rule 2. Screw

When doing a great amount of chamfering, place an edge of chamfering rule so that it contacts workpiece and make many passes of planing as shown in the figure.

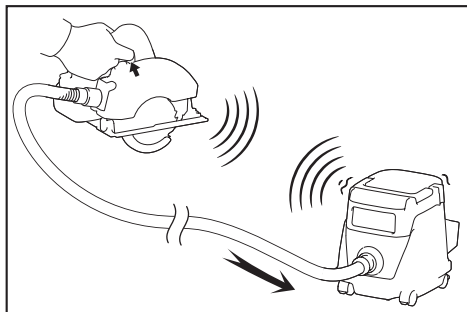


- 1. Edge of chamfering rule

WIRELESS ACTIVATION FUNCTION

What you can do with the wireless activation function

The wireless activation function enables clean and comfortable operation. By connecting a supported vacuum cleaner to the tool, you can run the vacuum cleaner automatically along with the switch operation of the tool.



To use the wireless activation function, prepare following items:

- A wireless unit (optional accessory)
- A vacuum cleaner which supports the wireless activation function

The overview of the wireless activation function setting is as follows. Refer to each section for detail procedures.

1. Installing the wireless unit
2. Tool registration for the vacuum cleaner
3. Starting the wireless activation function

Installing the wireless unit

Optional accessory

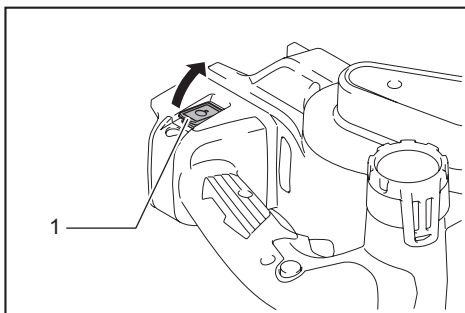
CAUTION: Place the tool on a flat and stable surface when installing the wireless unit.

NOTICE: Clean the dust and dirt on the tool before installing the wireless unit. Dust or dirt may cause malfunction if it comes into the slot of the wireless unit.

NOTICE: To prevent the malfunction caused by static, touch a static discharging material, such as a metal part of the tool, before picking up the wireless unit.

NOTICE: When installing the wireless unit, always be sure that the wireless unit is inserted in the correct direction and the lid is completely closed.

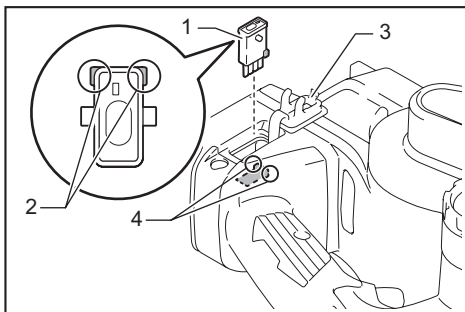
1. Open the lid on the tool as shown in the figure.



- 1. Lid

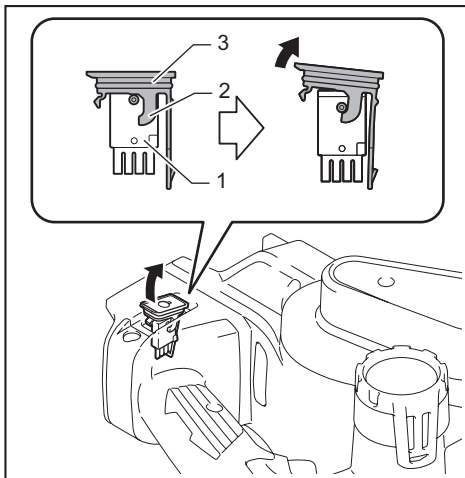
2. Insert the wireless unit to the slot and then close the lid.

When inserting the wireless unit, align the projections with the recessed portions on the slot.



- 1. Wireless unit 2. Projection 3. Lid 4. Recessed portion

When removing the wireless unit, open the lid slowly. The hooks on the back of the lid will lift the wireless unit as you pull up the lid.



- 1. Wireless unit 2. Hook 3. Lid

After removing the wireless unit, keep it in the supplied case or a static-free container.

NOTICE: Always use the hooks on the back of the lid when removing the wireless unit. If the hooks do not catch the wireless unit, close the lid completely and open it slowly again.

Tool registration for the vacuum cleaner

NOTE: A Makita vacuum cleaner supporting the wireless activation function is required for the tool registration.

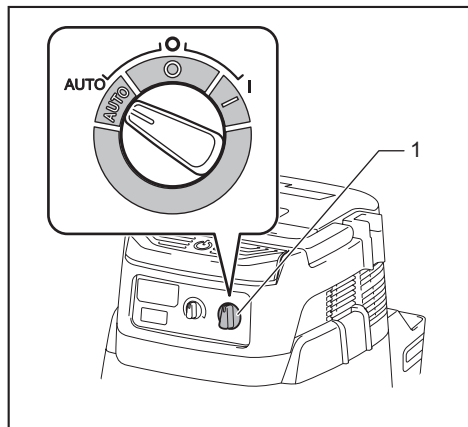
NOTE: Finish installing the wireless unit to the tool before starting the tool registration.

NOTE: During the tool registration, do not pull the switch trigger or turn on the power switch on the vacuum cleaner.

NOTE: Refer to the instruction manual of the vacuum cleaner, too.

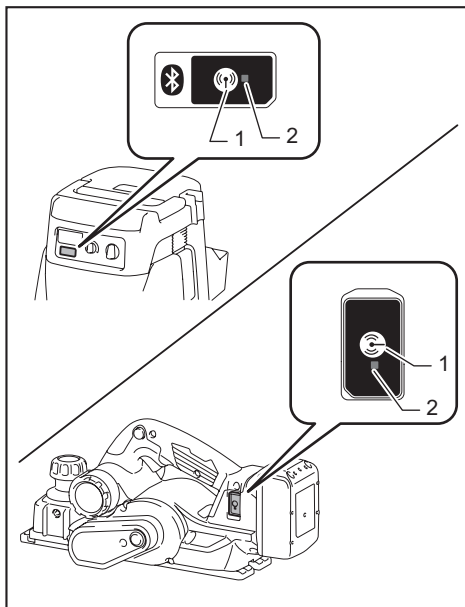
If you wish to activate the vacuum cleaner along with the switch operation of the tool, finish the tool registration beforehand.

1. Install the batteries to the vacuum cleaner and the tool.
2. Set the stand-by switch on the vacuum cleaner to "AUTO".



- 1. Stand-by switch

3. Press the wireless activation button on the vacuum cleaner for 3 seconds until the wireless activation lamp blinks in green. And then press the wireless activation button on the tool in the same way.



- 1. Wireless activation button 2. Wireless activation lamp

If the vacuum cleaner and the tool are linked successfully, the wireless activation lamps will light up in green for 2 seconds and start blinking in blue.

NOTE: The wireless activation lamps finish blinking in green after 20 seconds elapsed. Press the wireless activation button on the tool while the wireless activation lamp on the cleaner is blinking. If the wireless activation lamp does not blink in green, push the wireless activation button briefly and hold it down again.

NOTE: When performing two or more tool registrations for one vacuum cleaner, finish the tool registration one by one.

Starting the wireless activation function

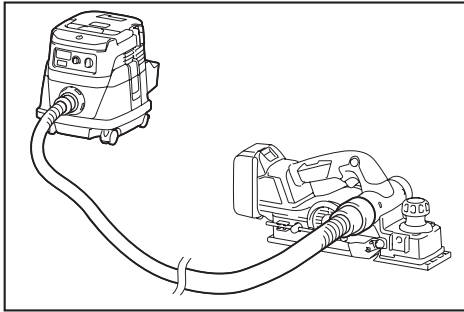
NOTE: Finish the tool registration for the vacuum cleaner prior to the wireless activation.

NOTE: Refer to the instruction manual of the vacuum cleaner, too.

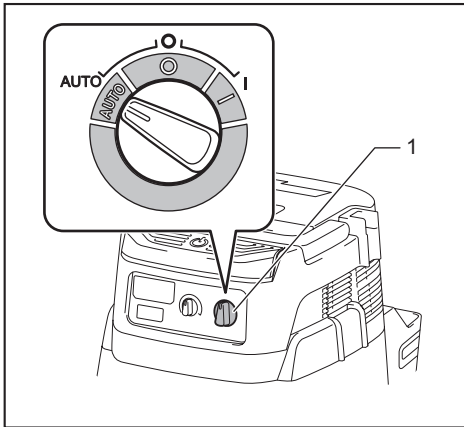
After registering a tool to the vacuum cleaner, the vacuum cleaner will automatically runs along with the switch operation of the tool.

1. Install the wireless unit to the tool.

2. Connect the hose of the vacuum cleaner with the tool.

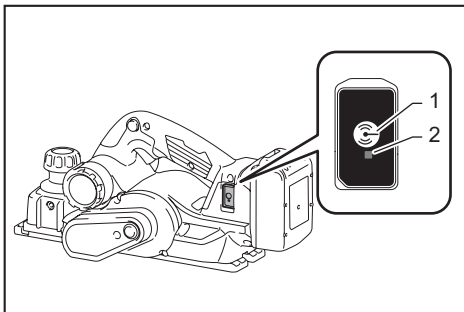


3. Set the stand-by switch on the vacuum cleaner to "AUTO".



- 1. Stand-by switch

4. Push the wireless activation button on the tool briefly. The wireless activation lamp will blink in blue.



- 1. Wireless activation button 2. Wireless activation lamp

5. Pull the switch trigger of the tool. Check if the vacuum cleaner runs while the switch trigger is being pulled. To stop the wireless activation of the vacuum cleaner, push the wireless activation button on the tool.

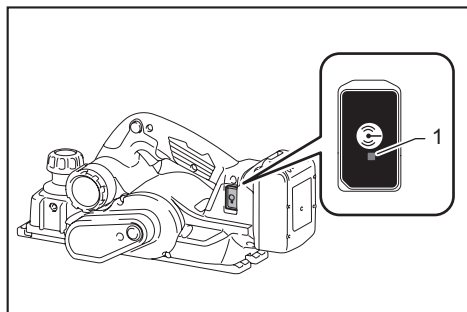
NOTE: The wireless activation lamp on the tool will stop blinking in blue when there is no operation for 2 hours. In this case, set the stand-by switch on the vacuum cleaner to "AUTO" and push the wireless activation button on the tool again.

NOTE: The vacuum cleaner starts/stops with a delay. There is a time lag when the vacuum cleaner detects a switch operation of the tool.

NOTE: The transmission distance of the wireless unit may vary depending on the location and surrounding circumstances.

NOTE: When two or more tools are registered to one vacuum cleaner, the vacuum cleaner may start running even if you don't pull the switch trigger because another user is using the wireless activation function.

Description of the wireless activation lamp status



► 1. Wireless activation lamp

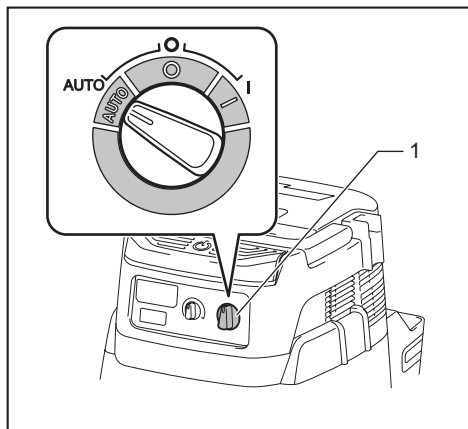
The wireless activation lamp shows the status of the wireless activation function. Refer to the table below for the meaning of the lamp status.

| Status | Wireless activation lamp | | | | Description |
|------------------------------|--------------------------|---------|---------------|---------------------------|--|
| | Color | ■ On | ▣ Blinking | Duration | |
| Standby | Blue | | ▣ | 2 hours | The wireless activation of the vacuum cleaner is available. The lamp will automatically turn off when no operation is performed for 2 hours. |
| | | ■ | | When the tool is running. | The wireless activation of the vacuum cleaner is available and the tool is running. |
| Tool registration | Green | | ▣ | 20 seconds | Ready for the tool registration. Waiting for the registration by the vacuum cleaner. |
| | | ■ | | 2 seconds | The tool registration has been finished. The wireless activation lamp will start blinking in blue. |
| Cancelling tool registration | Red | | ▣ | 20 seconds | Ready for the cancellation of the tool registration. Waiting for the cancellation by the vacuum cleaner. |
| | | ■ | | 2 seconds | The cancellation of the tool registration has been finished. The wireless activation lamp will start blinking in blue. |
| Others | Red | ■ | | 3 seconds | The power is supplied to the wireless unit and the wireless activation function is starting up. |
| | Off | - | | - | The wireless activation of the vacuum cleaner is stopped. |

Cancelling tool registration for the vacuum cleaner

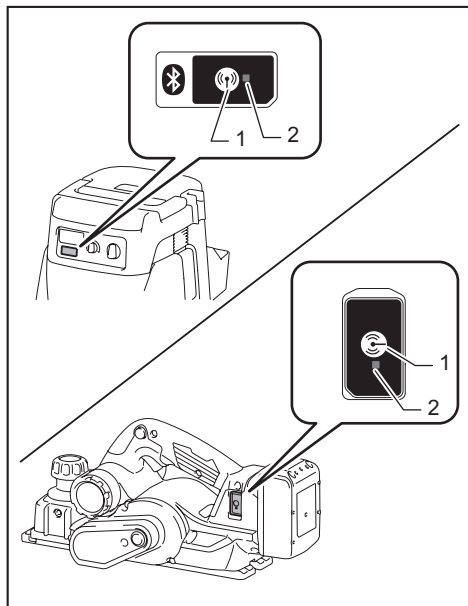
Perform the following procedure when cancelling the tool registration for the vacuum cleaner.

1. Install the batteries to the vacuum cleaner and the tool.
2. Set the stand-by switch on the vacuum cleaner to "AUTO".



- 1. Stand-by switch

3. Press the wireless activation button on the vacuum cleaner for 6 seconds. The wireless activation lamp blinks in green and then become red. After that, press the wireless activation button on the tool in the same way.



- 1. Wireless activation button 2. Wireless activation lamp

If the cancellation is performed successfully, the wireless activation lamps will light up in red for 2 seconds and start blinking in blue.

NOTE: The wireless activation lamps finish blinking in red after 20 seconds elapsed. Press the wireless activation button on the tool while the wireless activation lamp on the cleaner is blinking. If the wireless activation lamp does not blink in red, push the wireless activation button briefly and hold it down again.

Troubleshooting for wireless activation function

Before asking for repairs, conduct your own inspection first. If you find a problem that is not explained in the manual, do not attempt to dismantle the tool. Instead, ask Makita Authorized Service Centers, always using Makita replacement parts for repairs.

| State of abnormality | Probable cause (malfunction) | Remedy |
|--|--|---|
| The wireless activation lamp does not light/blink. | The wireless unit is not installed into the tool. The wireless unit is improperly installed into the tool. | Install the wireless unit correctly. |
| | The terminal of the wireless unit and/or the slot is dirty. | Gently wipe off dust and dirt on the terminal of the wireless unit and clean the slot. |
| | The wireless activation button on the tool has not been pushed. | Push the wireless activation button on the tool briefly. |
| | The stand-by switch on the vacuum cleaner is not set to "AUTO". | Set the stand-by switch on the vacuum cleaner to "AUTO". |
| | No power supply | Supply the power to the tool and the vacuum cleaner. |
| Cannot finish tool registration / cancelling tool registration successfully. | The wireless unit is not installed into the tool. The wireless unit is improperly installed into the tool. | Install the wireless unit correctly. |
| | The terminal of the wireless unit and/or the slot is dirty. | Gently wipe off dust and dirt on the terminal of the wireless unit and clean the slot. |
| | The stand-by switch on the vacuum cleaner is not set to "AUTO". | Set the stand-by switch on the vacuum cleaner to "AUTO". |
| | No power supply | Supply the power to the tool and the vacuum cleaner. |
| | Incorrect operation | Push the wireless activation button briefly and perform the tool registration/cancellation procedures again. |
| | The tool and vacuum cleaner are away from each other (out of the transmission range). | Get the tool and vacuum cleaner closer to each other. The maximum transmission distance is approximately 10 m however it may vary according to the circumstances. |
| | Before finishing the tool registration/cancellation; - the switch trigger on the tool is pulled or; - the power button on the vacuum cleaner is turned on. | Push the wireless activation button briefly and perform the tool registration/cancellation procedures again. |
| | The tool registration procedures for the tool or vacuum cleaner have not finished. | Perform the tool registration procedures for both the tool and the vacuum cleaner at the same timing. |
| | Radio disturbance by other appliances which generate high-intensity radio waves. | Keep the tool and vacuum cleaner away from the appliances such as Wi-Fi devices and microwave ovens. |
| The vacuum cleaner does not run along with the switch operation of the tool. | The wireless unit is not installed into the tool. The wireless unit is improperly installed into the tool. | Install the wireless unit correctly. |
| | The terminal of the wireless unit and/or the slot is dirty. | Gently wipe off dust and dirt on the terminal of the wireless unit and clean the slot. |
| | The wireless activation button on the tool has not been pushed. | Push the wireless activation button briefly and make sure that the wireless activation lamp is blinking in blue. |
| | The stand-by switch on the vacuum cleaner is not set to "AUTO". | Set the stand-by switch on the vacuum cleaner to "AUTO". |
| | More than 10 tools are registered to the vacuum cleaner. | Perform the tool registration again. If more than 10 tools are registered to the vacuum cleaner, the tool registered earliest will be cancelled automatically. |
| | The vacuum cleaner erased all tool registrations. | Perform the tool registration again. |
| | No power supply | Supply the power to the tool and the vacuum cleaner. |
| | The tool and vacuum cleaner are away from each other (out of the transmission range). | Get the tool and vacuum cleaner closer each other. The maximum transmission distance is approximately 10 m however it may vary according to the circumstances. |
| | Radio disturbance by other appliances which generate high-intensity radio waves. | Keep the tool and vacuum cleaner away from the appliances such as Wi-Fi devices and microwave ovens. |
| The vacuum cleaner runs while the tool's switch trigger is not pulled. | Other users are using the wireless activation of the vacuum cleaner with their tools. | Turn off the wireless activation button of the other tools or cancel the tool registration of the other tools. |

MAINTENANCE

CAUTION: Always be sure that the tool is switched off and the battery cartridge is removed before attempting to perform inspection or maintenance.

NOTICE: Never use gasoline, benzine, thinner, alcohol or the like. Discoloration, deformation or cracks may result.

To maintain product SAFETY and RELIABILITY, repairs, any other maintenance or adjustment should be performed by Makita Authorized or Factory Service Centers, always using Makita replacement parts.

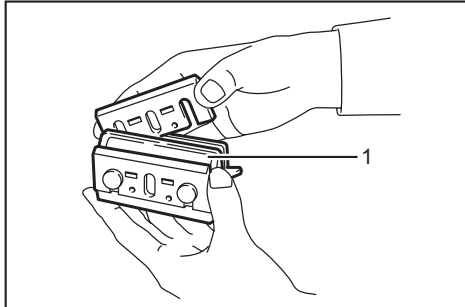
Chip discharge opening cleaning

Clean the chip discharge opening regularly. Use a compressed air to clean the clogged chip discharge opening.

Sharpening the blades

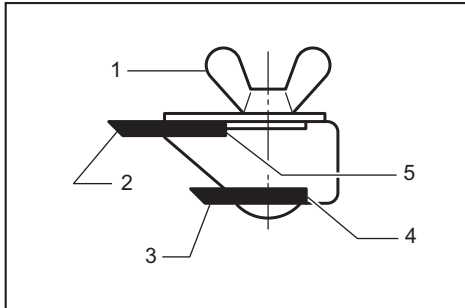
For conventional planer blades only

Always keep your blades sharp for the best performance possible. Use the sharpening holder to remove nicks and produce a fine edge.



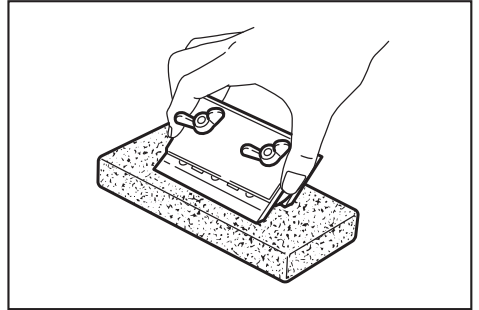
► 1. Sharpening holder

First, loosen the two wing nuts on the holder and insert the blades (A) and (B), so that they contact the sides (C) and (D). Then tighten the wing nuts.



► 1. Wing nut 2. Blade (A) 3. Blade (B) 4. Side (D)
5. Side (C)

Immerse the dressing stone in water for 2 or 3 minutes before sharpening. Hold the holder so that the both blades contact the dressing stone for simultaneous sharpening at the same angle.



OPTIONAL ACCESSORIES

CAUTION: These accessories or attachments are recommended for use with your Makita tool specified in this manual. The use of any other accessories or attachments might present a risk of injury to persons. Only use accessory or attachment for its stated purpose.

If you need any assistance for more details regarding these accessories, ask your local Makita Service Center.

- High-speed steel Planer blade
- Tungsten-carbide Planer blade (For longer blade life)
- Mini planer blade
- Sharpening holder assembly
- Blade gauge
- Set plate set
- Edge fence (Guide rule)
- Dressing stone
- Dust bag assembly
- Elbow
- Chamfering rule assembly
- Wireless unit
- Makita genuine battery and charger

NOTE: Some items in the list may be included in the tool package as standard accessories. They may differ from country to country.

MAKITA LIMITED WARRANTY

Please refer to the annexed warranty sheet for the most current warranty terms applicable to this product. If annexed warranty sheet is not available, refer to the warranty details set forth at below website for your respective country.

United States of America: www.makitatools.com
Canada: www.makita.com
Other countries: www.makita.com

SPÉCIFICATIONS

| Modèle : | DKP181 |
|------------------------|------------------------------|
| Tension nominale | C.C. 18 V |
| Largeur de rabotage | 82 mm (3-1/4") |
| Profondeur de rabotage | 3 mm (1/8") |
| Profondeur de feuilure | 25 mm (1") |
| Vitesse à vide | 12 000 /min |
| Longueur totale | 366 mm (14-3/8") |
| Poids net | 3,3 - 3,6 kg (7,3 - 7,9 lbs) |

- Étant donné l'évolution constante de notre programme de recherche et développement, les spécifications contenues dans ce manuel sont sujettes à modification sans préavis.
- Les spécifications et la batterie peuvent varier suivant les pays.
- Le poids peut varier selon les accessoires, y compris la batterie. La plus légère et la plus lourde combinaisons, selon la procédure EPTA 01/2014, sont indiquées dans le tableau.

Batteries et chargeurs applicables

| | |
|----------|--|
| Batterie | BL1815N / BL1820B / BL1830 / BL1830B / BL1840B / BL1850B / BL1860B |
| Chargeur | DC18RC / DC18RD / DC18RE / DC18SD / DC18SE / DC18SF |

- Suivant la région où vous habitez, il se peut que certaines des batteries et certains des chargeurs énumérés ci-dessus ne soient pas disponibles.

⚠ MISE EN GARDE : Utilisez exclusivement les batteries et chargeurs énumérés ci-dessus. L'utilisation de toute autre batterie ou tout autre chargeur peut entraîner une blessure et/ou un incendie.

CONSIGNES DE SÉCURITÉ

Consignes de sécurité générales pour outils électriques

⚠ MISE EN GARDE : Lisez toutes les mises en garde, instructions, illustrations et spécifications qui accompagnent cet outil électrique. Il y a risque de décharge électrique, d'incendie et/ou de blessure grave si les instructions ci-dessous ne sont pas toutes respectées.

Conservez toutes les mises en garde et instructions pour référence future.

Le terme « outil électrique » qui figure dans les avertissements fait référence à un outil électrique branché sur une prise de courant (par un cordon d'alimentation) ou alimenté par batterie (sans fil).

Sécurité de la zone de travail

1. **Maintenez la zone de travail propre et bien éclairée.** Les zones de travail encombrées ou sombres ouvrent grande la porte aux accidents.

2. **N'utilisez pas les outils électriques dans les atmosphères explosives, par exemple en présence de liquides, gaz ou poussières inflammables.** Les outils électriques produisent des étincelles au contact desquelles la poussière ou les vapeurs peuvent s'enflammer.
3. **Assurez-vous qu'aucun enfant ou curieux ne s'approche pendant que vous utilisez un outil électrique.** Vous risquez de perdre la maîtrise de l'outil si votre attention est détournée.

Sécurité en matière d'électricité

1. **Les fiches d'outil électrique sont conçues pour s'adapter parfaitement aux prises de courant. Ne modifiez jamais la fiche de quelque façon que ce soit. N'utilisez aucun adaptateur de fiche sur les outils électriques avec mise à la terre.** En ne modifiant pas les fiches et en les insérant dans des prises de courant pour lesquelles elles ont été conçues, vous réduirez les risques de choc électrique.
2. **Évitez tout contact corporel avec les surfaces mises à la terre, telles que tuyaux, radiateurs, cuisinières et réfrigérateurs.** Le risque de choc électrique est plus élevé si votre corps se trouve mis à la terre.
3. **N'exposez pas les outils électriques à la pluie ou à l'eau.** La présence d'eau dans un outil électrique augmente le risque de choc électrique.

4. **Ne maltraitez pas le cordon. N'utilisez jamais le cordon pour transporter, tirer ou débrancher l'outil électrique. Maintenez le cordon à l'écart des sources de chaleur, de l'huile, des objets à bords tranchants et des pièces en mouvement.** Le risque de choc électrique est plus élevé lorsque les cordons sont endommagés ou enchevêtrés.
5. **Lorsque vous utilisez un outil électrique à l'extérieur, utilisez un cordon prolongateur conçu pour l'usage extérieur.** Les risques de choc électrique est moindre lorsqu'un cordon conçu pour l'usage extérieur est utilisé.
6. **Si vous devez utiliser un outil électrique dans un endroit humide, utilisez une source d'alimentation protégée par un disjoncteur de fuite à la terre.** L'utilisation d'un disjoncteur de fuite à la terre réduit le risque de choc électrique.
7. **Les outils électriques peuvent produire des champs électromagnétiques (CEM) qui ne sont pas préjudiciables à l'utilisateur.** Les utilisateurs de stimulateur cardiaque ou autres appareils médicaux similaires doivent toutefois demander conseil au fabricant et/ou à leur médecin avant d'utiliser cet outil électrique.
8. **Évitez d'être complaisant et d'ignorer les principes de sécurité de l'outil en raison de la familiarité acquise par un usage fréquent des outils.** Un geste imprudent peut entraîner une grave blessure en une fraction de seconde.
9. **Portez toujours des lunettes à coques de protection pour protéger vos yeux contre les blessures lors de l'utilisation d'outils électriques. Les lunettes à coques doivent être conformes à ANSI Z87.1 aux États-Unis.** L'employeur a la responsabilité d'imposer l'utilisation d'équipements de protection de sécurité adéquats aux utilisateurs des outils électriques et à toute autre personne se trouvant dans la zone de travail immédiate.

Utilisation et entretien des outils électriques

1. **Ne forcez pas l'outil électrique. Utilisez l'outil électrique adéquat suivant le type de travail à effectuer.** Si vous utilisez l'outil électrique adéquat et respectez le régime pour lequel il a été conçu, il effectuera un travail de meilleure qualité et plus sécuritaire.
2. **N'utilisez pas l'outil électrique s'il n'est pas possible de l'allumer et de l'éteindre avec son interrupteur.** Un outil électrique dont l'interrupteur est défectueux représente un danger et doit être réparé.
3. **Avant d'effectuer tout réglage, de remplacer un accessoire ou de ranger l'outil électrique, débranchez la fiche de la source d'alimentation et/ou retirez la batterie de l'outil électrique si elle est amovible.** Ces mesures préventives de sécurité réduisent les risques de démarrage accidentel de l'outil électrique.
4. **Après l'utilisation d'un outil électrique, rangez-le hors de portée des enfants et ne laissez aucune personne l'utiliser si elle n'est pas familiarisée avec l'outil électrique ou les présentes instructions d'utilisation.** Les outils électriques représentent un danger entre les mains de personnes qui n'en connaissent pas le mode d'utilisation.
5. **Effectuez l'entretien des outils électriques et des accessoires. Assurez-vous que les pièces mobiles ne sont pas désalignées ou coincées, qu'aucune pièce n'est cassée et que l'outil électrique n'a subi aucun dommage affectant son bon fonctionnement. Le cas échéant, faites réparer l'outil électrique avant de l'utiliser.** De nombreux accidents sont causés par des outils électriques mal entretenus.
6. **Maintenez les outils tranchants bien aiguisés et propres.** Un outil tranchant dont l'entretien est effectué correctement et dont les bords sont bien aiguisés risquera moins de se coincer et sera plus facile à maîtriser.
7. **Utilisez l'outil électrique, ses accessoires, ses embouts, etc., en respectant les présentes instructions, en tenant compte des conditions de travail et du type de travail à effectuer.** L'utilisation d'un outil électrique pour d'autres usages que ceux prévus peut entraîner une situation dangereuse.
8. **Gardez les poignées et surfaces de saisie sèches, propres et exemptes d'huile et de graisse.** Les poignées et surfaces de saisie glissantes ne permettent pas une manipulation sûre et une bonne maîtrise de l'outil dans les situations inattendues.

Sécurité personnelle

1. **Restez alerte, attentif à vos mouvements et faites preuve de bon sens lorsque vous utilisez un outil électrique. N'utilisez pas les outils électriques si vous êtes fatigué ou avez pris une drogue, de l'alcool ou un médicament.** Un moment d'inattention pendant l'utilisation d'un outil électrique peut entraîner une grave blessure.
2. **Portez des dispositifs de protection personnelle. Portez toujours une protection oculaire.** Les risques de blessure seront moins élevés si vous utilisez des dispositifs de protection tels qu'un masque anti-poussière, des chaussures à semelle antidérapante, une coiffure résistante ou une protection d'oreilles.
3. **Évitez les démarrages accidentels. Assurez-vous que l'interrupteur est en position d'arrêt avant de brancher l'outil à la prise de courant et/ou au bloc-piles, et avant de prendre ou de transporter l'outil.** Vous ouvrez la porte aux accidents si vous transportez les outils électriques avec le doigt sur l'interrupteur ou si vous les branchez alors que l'interrupteur est en position de marche.
4. **Retirez toute clé de réglage ou de serrage avant de mettre l'outil électrique sous tension.** Toute clé laissée en place sur une pièce rotative de l'outil électrique peut entraîner une blessure.
5. **Ne vous étirez pas exagérément. Assurez-vous d'une bonne prise au sol et d'un bon équilibre en tout temps.** Cela vous permettra d'avoir une meilleure maîtrise de l'outil électrique dans les situations imprévues.
6. **Portez des vêtements adéquats. Ne portez ni vêtements amples ni bijoux. Gardez vos cheveux, vêtements et gants à l'écart des pièces en mouvement.** Les vêtements amples, bijoux ou cheveux longs peuvent être happés par les pièces en mouvement.
7. **Si des accessoires sont fournis pour raccorder un appareil d'aspiration et de collecte de la poussière, assurez-vous qu'ils sont correctement raccordés et qu'ils sont utilisés de manière adéquate.** L'utilisation d'un appareil de collecte permet de réduire les risques liés à la présence de poussière dans l'air.

9. **Lors de l'utilisation de l'outil, ne portez pas de gants de travail en tissu qui risquent de s'enchevêtrer dans l'outil.** L'enchevêtrement de gants de travail en tissu dans les pièces en mouvement peut entraîner une blessure.

Utilisation et entretien des outils alimentés par batterie

1. **Pour recharger, utilisez uniquement le chargeur spécifié par le fabricant.** L'utilisation d'un chargeur conçu pour un type donné de bloc-piles comporte un risque d'incendie lorsqu'il est utilisé avec un autre type de bloc-piles.
2. **N'utilisez un outil électrique qu'avec le bloc-piles conçu spécifiquement pour cet outil.** Il y a un risque de blessure ou d'incendie si un autre bloc-piles est utilisé.
3. **Lorsque vous n'utilisez pas le bloc-piles, rangez-le à l'écart des objets métalliques tels que trombones, pièces de monnaie, clés, clous, vis ou autres petits objets métalliques qui risqueraient d'établir une connexion entre les bornes.** La mise en court-circuit des bornes de batterie peut causer des brûlures ou un incendie.
4. **Dans des conditions d'utilisation inadéquates de la batterie, il peut y avoir fuite d'électrolyte; évitez tout contact avec ce liquide.** En cas de contact accidentel, rincez avec beaucoup d'eau. Si le liquide pénètre dans vos yeux, il faut aussi consulter un médecin. L'électrolyte qui s'échappe de la batterie peut causer des irritations ou des brûlures.
5. **N'utilisez pas une batterie ou un outil si l'est endommagé ou modifié.** Les batteries endommagées ou modifiées peuvent avoir un comportement imprévisible dont peut résulter un incendie, une explosion ou un risque de blessure.
6. **N'exposez pas une batterie ou un outil au feu ou à une température excessive.** L'exposition au feu ou à une température supérieure à 130 °C peut entraîner une explosion.
7. **Suivez toutes les instructions de charge et ne chargez pas la batterie ou l'outil à l'extérieur de la plage de température spécifiée dans les instructions.** Charger de manière inadéquate ou à des températures hors de la plage spécifiée peut endommager la batterie et augmenter le risque d'incendie.

Réparation

1. **Faites réparer votre outil électrique par un réparateur qualifié qui utilise des pièces de rechange identiques aux pièces d'origine.** Le maintien de la sûreté de l'outil électrique sera ainsi assuré.
2. **N'essayez jamais de réparer les batteries endommagées.** La réparation des batteries ne doit être effectuée que par le fabricant ou par un fournisseur de service après-vente agréé.
3. **Suivez les instructions de lubrification et de remplacement des accessoires.**
4. **Ne modifiez pas ou n'essayez pas de réparer l'appareil ou la batterie autrement que tel qu'indiqué dans les instructions d'utilisation et d'entretien.**

Consignes de sécurité pour rabot sans fil

1. **Attendez l'arrêt complet de l'accessoire tranchant avant de déposer l'outil.** Un accessoire tranchant exposé et en rotation peut pénétrer dans la surface de la pièce, ce qui comporte un risque de perte de contrôle de l'outil et de blessure grave.
2. **Utilisez des dispositifs de serrage ou autre moyen pratique pour fixer et soutenir la pièce sur une surface stable.** La pièce à travailler sera instable si vous la tenez d'une main ou contre votre corps, et vous risquez de perdre le contrôle de l'outil.
3. **Ne laissez jamais de chiffons, linges, cordons, ficelles et objets similaires autour de la zone de travail.**
4. **Prenez garde aux clous.** Inspectez la pièce et retirez-en tous les clous avant de commencer le travail.
5. **Utilisez uniquement des lames bien aiguisées. Manipulez les lames très prudemment.**
6. **Assurez-vous que les boulons d'installation de lame sont bien serrés avant de commencer le travail.**
7. **Tenez l'outil fermement à deux mains.**
8. **Gardez les mains à l'écart des pièces en rotation.**
9. **Avant d'utiliser l'outil sur la pièce à travailler, laissez-le tourner un instant. Vérifiez l'absence de vibrations ou d'oscillations, car elles peuvent indiquer que la lame est mal posée ou mal équilibrée.**
10. **Avant d'allumer l'outil, assurez-vous que la lame ne touche pas la pièce.**
11. **Avant de couper, assurez-vous que la lame a atteint sa pleine vitesse.**
12. **Avant de régler la profondeur de coupe, éteignez toujours l'outil et attendez l'arrêt complet des lames.**
13. **Ne mettez jamais le doigt dans la goulotte à copeaux.** La goulotte peut se boucher lorsque l'on coupe du bois humide. Enlevez les copeaux avec un bâtonnet.
14. **Ne quittez pas l'outil en le laissant tourner. N'utilisez l'outil qu'une fois que vous l'avez bien en main.**
15. **Lorsque vous remplacez les lames ou des pièces du tambour, veillez à remettre en place les pièces ensemble des deux côtés du tambour.** Autrement, il en résultera un déséquilibre qui causera de la vibration et réduira la durée de service de l'outil.
16. **Utilisez uniquement les lames Makita spécifiées dans ce manuel.**
17. **Portez toujours un masque antipoussières ou un respirateur adapté au matériau utilisé et au type de travail à effectuer.**
18. **Utilisez l'outil dans des conditions stables.** L'utilisation dans des conditions instables peut entraîner des dommages ou une blessure.

CONSERVEZ CES INSTRUCTIONS.

⚠ MISE EN GARDE : NE vous laissez PAS tromper (au fil d'une utilisation répétée) par un sentiment d'aisance ou de familiarité avec le produit en négligeant les consignes de sécurité qui accompagnent le produit.

UNE UTILISATION INCORRECTE ou le non-respect des règles de sécurité énoncées dans le présent manuel d'instructions peut provoquer des blessures graves.

Consignes de sécurité importantes pour la batterie

1. Avant d'utiliser la batterie, lisez toutes les instructions et les mises en garde apposées sur (1) le chargeur de batterie, (2) la batterie et (3) le produit utilisant la batterie.
2. Ne démontez pas la batterie.
3. Cessez immédiatement l'utilisation si le temps de fonctionnement devient excessivement court. Il y a risque de surchauffe, de brûlures, voire d'explosion.
4. Si l'électrolyte pénètre dans vos yeux, rincez-les à l'eau claire et consultez immédiatement un médecin. Il y a risque de perte de la vue.
5. Ne court-circuitez pas la batterie :
 - (1) Ne touchez les bornes avec aucun matériau conducteur.
 - (2) Évitez de ranger la batterie dans un conteneur avec d'autres objets métalliques tels que clous, pièces de monnaie, etc.
 - (3) Évitez d'exposer la batterie à l'eau ou à la pluie. Un court-circuit de la batterie pourrait provoquer un fort courant, une surchauffe, parfois des brûlures et même une panne.
6. Ne rangez pas l'outil ou la batterie dans des emplacements où la température peut atteindre ou dépasser 50 °C (122 °F).
7. Ne jetez pas la batterie au feu même si elle est sérieusement endommagée ou complètement épuisée. La batterie peut exploser au contact du feu.
8. Prenez garde d'échapper ou de heurter la batterie.
9. N'utilisez pas une batterie si elle est endommagée.
10. Les batteries lithium-ion fournies sont soumises aux exigences de la législation sur les marchandises dangereuses.

Des exigences particulières sur l'emballage et l'étiquetage doivent être respectées lors du transport commercial par des tiers, des transitaires, etc. Pour préparer la marchandise à expédier, consultez un expert en matériaux dangereux si nécessaire. Respectez aussi les éventuelles réglementations nationales plus détaillées.

Recouvrez de ruban isolant les contacts exposés, et emballez la batterie de sorte qu'elle ne puisse pas se déplacer à l'intérieur de l'emballage.
11. Lors de l'élimination de la batterie, retirez-la de l'outil et éliminez-la dans un endroit sûr. Respectez la réglementation locale concernant l'élimination de la batterie.
12. N'utilisez les batteries qu'avec les produits spécifiés par Makita. Installer les batteries sur des produits non conformes peut entraîner un incendie, une chaleur excessive, une explosion ou une fuite d'électrolyte.

13. Si l'outil reste inutilisé pour une période prolongée, la batterie doit en être retirée.

CONSERVEZ CES INSTRUCTIONS.

⚠ ATTENTION : Utilisez exclusivement les batteries fabriquées par Makita. Les batteries autres que celles fabriquées par Makita ou les batteries modifiées peuvent exploser et causer un incendie, une blessure ou des dommages. Cela annule aussi la garantie Makita de l'outil et du chargeur Makita.

Conseils pour maintenir la durée de service maximale de la batterie

1. Rechargez la batterie avant qu'elle ne soit complètement déchargée. Arrêtez toujours l'outil et rechargez la batterie quand vous remarquez que la puissance de l'outil diminue.
2. Ne rechargez jamais une batterie complètement chargée. La surcharge réduit la durée de service de la batterie.
3. Chargez la batterie à une température ambiante comprise entre 10 °C et 40 °C (50 °F et 104 °F). Si la batterie est chaude, laissez-la refroidir avant de la charger.
4. Chargez la batterie si elle est restée inutilisée pendant une période prolongée (plus de six mois).

Symboles

Les symboles utilisés pour l'outil sont indiqués ci-dessous.

| | |
|--------------------|---------------------------------|
| V | volts |
| — --- | courant continu |
| n ₀ | vitesse à vide |
| ... /min r /min | tours ou alternances par minute |

Importantes consignes de sécurité pour l'unité sans fil

1. Évitez de démonter ou de modifier l'unité sans fil.
2. Gardez l'unité sans fil hors de la portée des jeunes enfants. En cas d'absorption accidentelle, consultez immédiatement un médecin.
3. N'utilisez l'unité sans fil qu'avec les outils Makita.
4. N'exposez pas l'unité sans fil à la pluie ou à des surfaces mouillées.
5. N'utilisez pas l'unité sans fil dans les emplacements où la température dépasse 50 °C (122 °F).
6. N'utilisez pas l'unité sans fil dans les emplacements où des instruments médicaux, tels que stimulateurs cardiaques, se trouvent à proximité.
7. N'utilisez pas l'unité sans fil dans les emplacements où des dispositifs automatiques se trouvent à proximité. L'utilisation peut provoquer des dysfonctionnements ou des erreurs sur les dispositifs automatiques.

8. N'utilisez pas l'unité sans fil dans un emplacement à température élevée ou un emplacement où de l'électricité statique ou du bruit électrique peuvent être générés.
9. L'unité sans fil peut générer des champs électromagnétiques (CEM), mais ils sont sans danger pour l'utilisateur.
10. L'unité sans fil est un instrument de précision. Évitez d'échapper ou de heurter l'unité sans fil.
11. Évitez de toucher la borne de l'unité sans fil à mains nues ou avec des objets métalliques.
12. Retirez toujours la batterie de l'outil avant d'y installer l'unité sans fil.
13. Lorsque vous ouvrez le couvercle de la fente, évitez de le faire dans un emplacement où la poussière et l'eau peuvent pénétrer dans la fente. Gardez toujours l'entrée de la fente propre.
14. Insérez toujours l'unité sans fil dans le bon sens.
15. N'appuyez pas trop fort sur le bouton d'activation sans fil de l'unité sans fil, et/ou n'appuyez pas sur le bouton avec un objet tranchant.
16. Pendant l'utilisation, fermez toujours le couvercle de la fente.
17. Ne retirez pas l'unité sans fil de la fente pendant que l'outil est alimenté en courant. Cela peut causer un dysfonctionnement de l'unité sans fil.
18. Ne retirez pas l'autocollant sur l'unité sans fil.
19. Ne mettez aucun autocollant sur l'unité sans fil.
20. Ne laissez pas l'unité sans fil dans un emplacement où de l'électricité statique ou du bruit électrique peuvent être générés.
21. Ne laissez pas l'unité sans fil dans un emplacement susceptible de chaleur intense, comme dans une voiture exposée au soleil.
22. Ne laissez pas l'unité sans fil dans un emplacement poussiéreux ou poudreux, ni dans un emplacement où des gaz corrosifs peuvent être générés.
23. Les variations soudaines de température peuvent humecter l'unité sans fil. N'utilisez l'unité sans fil qu'une fois qu'elle est bien sèche.
24. Pour nettoyer l'unité sans fil, essuyez-la doucement avec un linge doux et sec. N'utilisez pas de benzine, diluant, graisse conductrice ou produit similaire.
25. Lorsque vous rangez l'unité sans fil, gardez-la dans le boîtier fourni ou dans un contenant antistatique.
26. N'insérez aucun autre dispositif que l'unité sans fil Makita dans la fente de l'outil.
27. N'utilisez pas l'outil si le couvercle de la fente est endommagé. La pénétration d'eau, de poussières ou de saletés dans la fente peut entraîner un dysfonctionnement.
28. Évitez de tirer et/ou tordre le couvercle de la fente plus que nécessaire. Remettez le couvercle en place s'il se détache de l'outil.
29. Remplacez le couvercle de la fente si vous l'égarez ou s'il est endommagé.

CONSERVEZ CE MODE D'EMPLOI.

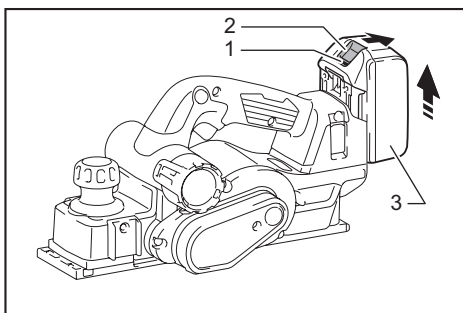
DESCRIPTION DU FONCTIONNEMENT

⚠ ATTENTION : Assurez-vous toujours que l'outil est éteint et que sa batterie est retirée avant de l'ajuster ou de vérifier son fonctionnement.

Installation ou retrait de la batterie

⚠ ATTENTION : Éteignez toujours l'outil avant d'installer ou de retirer la batterie.

⚠ ATTENTION : Tenez fermement l'outil et la batterie lors de l'installation ou du retrait de cette dernière. Si l'outil et la batterie ne sont pas tenus fermement, ils risquent de vous glisser des mains et de subir des dommages, ou encore de vous blesser.



► 1. Voyant rouge 2. Bouton 3. Batterie

Pour retirer la batterie, faites-la glisser hors de l'outil tout en glissant le bouton qui se trouve à l'avant.

Pour installer la batterie, alignez sa languette sur la rainure pratiquée dans le boîtier, et glissez la batterie en place. Insérez-la à fond jusqu'à ce que vous entendiez un léger déclic. Si vous pouvez voir le voyant rouge sur le dessus du bouton, la batterie n'est pas complètement verrouillée.

⚠ ATTENTION : Installez toujours la batterie à fond jusqu'à ce que vous ne puissiez plus voir le voyant rouge. Autrement elle risque de tomber accidentellement de l'outil et d'entraîner des blessures.

⚠ ATTENTION : Ne forcez pas sur la batterie pour l'installer. Si la batterie ne glisse pas facilement, c'est qu'elle n'est pas insérée correctement.

Dispositif de protection de l'outil et de la batterie


L'outil est doté d'un dispositif de protection de l'outil et de la batterie. Ce dispositif coupe automatiquement l'alimentation du moteur pour augmenter la durée de service de l'outil et de la batterie. L'outil s'arrête automatiquement pendant l'utilisation lorsque l'outil ou la batterie est dans l'une des situations suivantes. Dans certaines situations, les voyants s'allument.

Protection contre la surcharge

Lorsque l'outil est utilisé d'une façon qui lui fait consommer un courant anormalement élevé, il s'arrête automatiquement. Le cas échéant, éteignez l'outil et cessez l'application qui a causé sa surcharge. Rallumez ensuite l'outil pour redémarrer.

Protection contre la surchauffe

Lorsque l'outil surchauffe, il s'arrête automatiquement et le voyant de batterie clignote pendant environ 60 secondes. Le cas échéant, laissez refroidir l'outil avant de le rallumer.

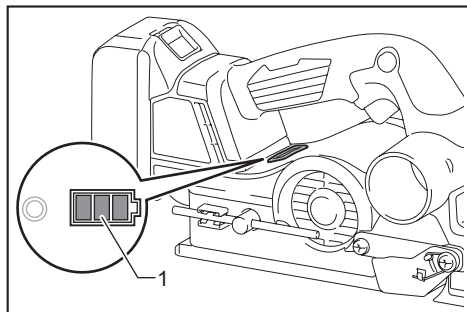
| | |
|---|--|
| <input checked="" type="checkbox"/> Allumé | <input checked="" type="checkbox"/> Clignotant |
|  | |

Protection contre la décharge excessive

Lorsque la charge de la batterie est basse, l'outil s'arrête automatiquement. Si l'appareil ne fonctionne pas même lorsque vous activez les interrupteurs, retirez les batteries de l'outil et rechargez-les.


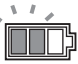
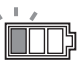
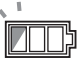
Indication de la charge restante de la batterie

Lorsque vous appuyez sur la gâchette, le voyant de batterie indique la charge restante de la batterie.



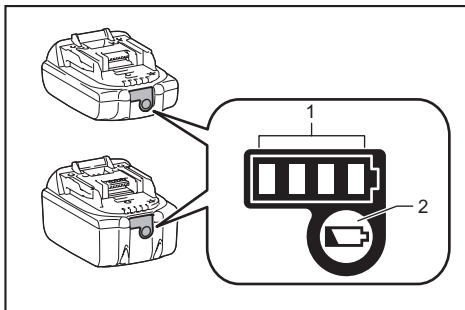
► 1. Témoin de batterie

La charge restante de la batterie s'affiche comme sur le tableau suivant.

| État du voyant de batterie | | | Capacité restante de la batterie |
|---|---------------------------------|--|----------------------------------|
| <input checked="" type="checkbox"/> Allumé | <input type="checkbox"/> Éteint | <input checked="" type="checkbox"/> Clignotant | |
|  | | | 50 % à 100 % |
|  | | | 20 % à 50 % |
|  | | | 0 % à 20 % |
|  | | | Charger la batterie |

Affichage de la charge restante de la batterie

Uniquement pour les batteries avec voyant



► 1. Témoins indicateurs 2. Bouton de vérification

Appuyez sur le bouton de vérification de la batterie pour afficher la charge restante de la batterie. Les témoins indicateurs s'allument pendant quelques secondes.

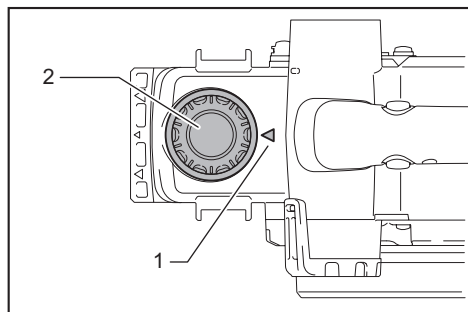
| Témoins indicateurs | | | Charge restante |
|--|---------------------------------|--|---|
| <input checked="" type="checkbox"/> Allumé | <input type="checkbox"/> Éteint | <input checked="" type="checkbox"/> Clignotant | |
| ■ | ■ | ■ | 75 % à 100 % |
| ■ | ■ | □ | 50 % à 75 % |
| ■ | □ | □ | 25 % à 50 % |
| ■ | □ | □ | 0 % à 25 % |
| ▬ | □ | □ | Chargez la batterie. |
| ■ | ■ | □ | La batterie a peut-être mal fonctionné. |
| □ | □ | ■ | |

NOTE : Suivant les conditions d'utilisation et la température ambiante, il se peut que l'indication soit légèrement différente de la charge réelle.

Réglage de la profondeur de coupe

⚠ ATTENTION : Avant de régler la profondeur de coupe, assurez-vous que les lames sont complètement arrêtées.

Pour régler la profondeur de coupe, il suffit de tourner le bouton à l'avant de l'outil, de sorte que le pointeur indique la profondeur de coupe désirée.



► 1. Index 2. Bouton

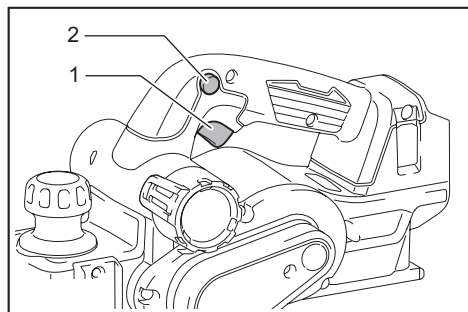
Interrupteur

⚠ MISE EN GARDE : Avant d'insérer la batterie dans l'outil, vérifiez toujours que la gâchette fonctionne bien et revient en position d'arrêt lorsque libérée.

⚠ MISE EN GARDE : Le bouton de sécurité ne doit JAMAIS être immobilisé avec du ruban adhésif ou de toute autre façon. Une gâchette dont le bouton de sécurité est neutralisé peut causer la mise en marche accidentelle et une grave blessure.

⚠ MISE EN GARDE : N'utilisez JAMAIS l'outil s'il s'active simplement en appuyant sur la gâchette sans enfoncer le bouton de sécurité. Une gâchette défectueuse peut causer la mise en marche accidentelle et une grave blessure. AVANT de poursuivre l'utilisation, retournez l'outil à un centre de service après-vente Makita pour le faire réparer.

Un bouton de sécurité est fourni pour prévenir la pression accidentelle sur la gâchette. Pour faire démarrer l'outil, enfoncez le bouton de sécurité puis appuyez sur la gâchette. Pour l'arrêter, relâchez la gâchette.



► 1. Gâchette 2. Bouton de sécurité

AVIS : Ne tirez pas fortement sur la gâchette sans avoir d'abord enfoncé le bouton de sécurité. Vous risquez de casser la gâchette.

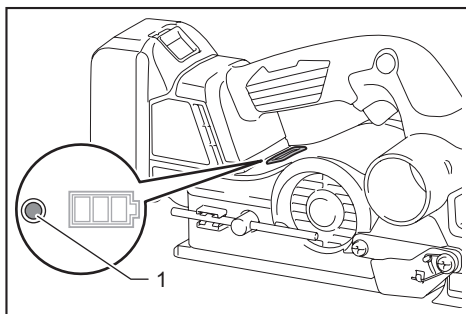
Frein électrique

Cet outil est muni d'un frein électrique. Si la libération du levier de la gâchette ne permet jamais d'arrêter promptement l'outil, faites-le réparer dans un centre de service après-vente Makita.

Fonction de changement de vitesse automatique

Cet outil est doté d'un « mode de vitesse élevée » et d'un « mode de couple élevé ».

L'outil change automatiquement de mode de fonctionnement suivant la charge de travail. Lorsque la charge de travail est basse, l'outil fonctionne en « mode de vitesse élevée » pour un travail de coupe plus rapide. Lorsque la charge de travail est élevée, l'outil fonctionne en « mode de couple élevé » pour un travail de coupe puissant.



► 1. Voyant de mode

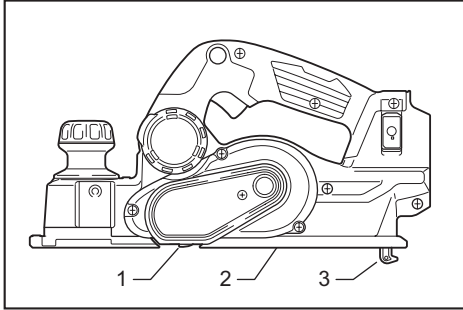
Le voyant de mode s'allume en vert lorsque l'outil fonctionne en « mode de couple élevé ».

Si l'outil est utilisé avec une charge excessive, le voyant de mode clignote en vert. Le voyant de mode cesse de clignoter, puis il s'allume ou s'éteint si vous réduisez la charge de l'outil.

| État du voyant de mode | | | Mode de fonctionnement |
|------------------------|----------|--------------|------------------------|
| ● Allumé | ○ Éteint | ● Clignotant | |
| | ○ | | Mode de vitesse élevée |
| ● | | | Mode de couple élevé |
| | | ● | Alerte de surcharge |

Pied

Après un travail de coupe, soulevez l'arrière de l'outil de sorte que le pied sorte de la base arrière. Cela prévient l'endommagement des lames de rabot.



► 1. Fer de rabot 2. Socle arrière 3. Pied

Retrait ou pose des lames de rabot

ATTENTION : Serrez soigneusement les boulons d'installation de lame lorsque vous fixez les lames à l'outil. Assurez-vous toujours qu'ils sont bien serrés. Un boulon d'installation mal serré peut être dangereux.

ATTENTION : Manipulez les lames très prudemment. Utilisez des gants ou des chiffons pour protéger vos doigts ou mains lors du retrait ou de la pose des lames.

ATTENTION : Utilisez uniquement la clé Makita fournie pour retirer ou poser les lames. Autrement, les boulons d'installation risquent d'être trop ou pas assez serrés. Cela peut causer une blessure.

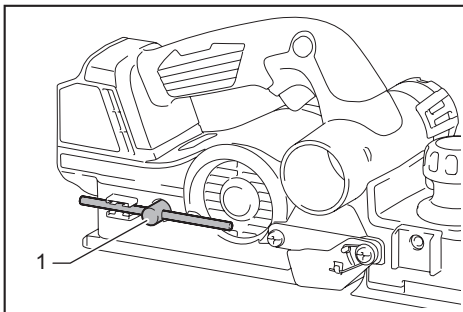
AVIS : Pour poser les lames de rabot, enlevez tous les copeaux et corps étrangers qui adhèrent au tambour ou aux lames de rabot. Utilisez des lames de rabot de même dimension et de même poids, autrement le tambour oscille ou vibre, ce qui donnera un rabotage médiocre et entraînera une panne de l'outil.

ASSEMBLAGE

ATTENTION : Assurez-vous toujours que l'outil est éteint et que sa batterie est retirée avant d'effectuer tout travail dessus.

Rangement de la clé polygonale

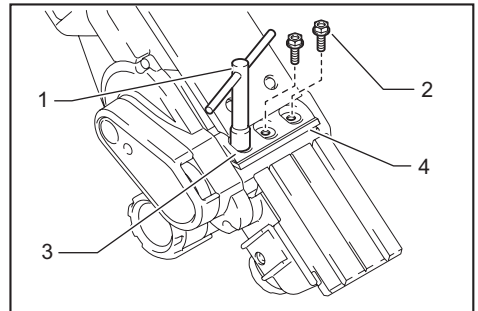
Lorsque vous ne l'utilisez pas, rangez la clé polygonale tel qu'illustré sur la figure pour éviter de la perdre.



► 1. Clé polygonale

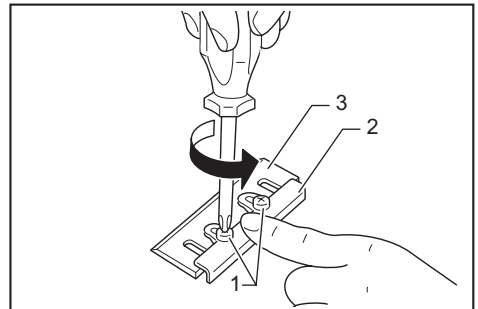
Pour outil à lames de rabot classiques

1. Pour retirer les lames de rabot ordinaires de l'outil, dévissez les boulons d'installation avec la clé polygonale. La plaque de tambour et la lame de rabot ordinaire avec plaque de réglage se détachent.



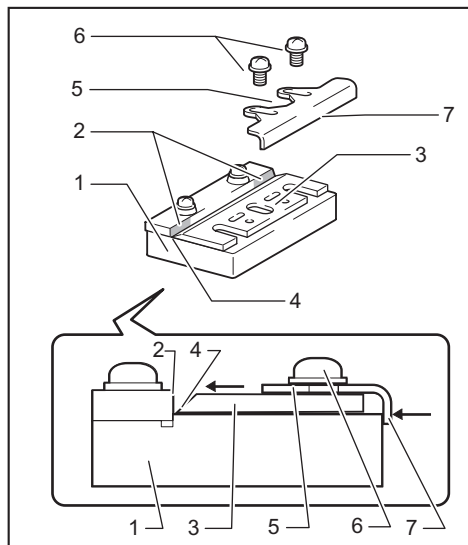
► 1. Clé polygonale 2. Boulon d'installation 3. Plaque de tambour 4. Lame ordinaire (avec plaque de réglage)

2. Dévissez et retirez la plaque de réglage.



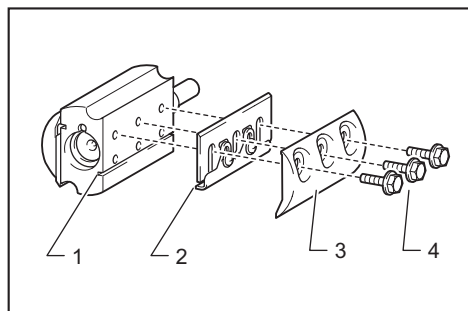
► 1. Vis 2. Plaque de réglage 3. Lame de rabot ordinaire

3. Pour poser les lames de rabot ordinaires, placez-les sur le gabarit de lame de sorte que le tranchant de la lame soit parfaitement aligné avec le bord intérieur du gabarit de lame.
4. Placez la plaque de réglage sur la lame de rabot ordinaire, puis enfoncez simplement le talon de la plaque de réglage pour l'aligner avec l'arrière du gabarit de lame.
5. Serrez deux vis sur la plaque de réglage pendant qu'une pression est appliquée sur la plaque de réglage.



► 1. Gabarit de lame 2. Bord intérieur du gabarit de lame 3. Lame de rabot ordinaire 4. Tranchant de la lame (de la lame de rabot ordinaire) 5. Plaque de réglage 6. Vis 7. Talon

6. Enlevez tous les copeaux ou corps étrangers qui adhèrent au tambour et à la lame de rabot ordinaire.
7. Glissez le talon de la plaque de réglage dans la rainure du tambour, puis mettez la plaque de tambour dessus.

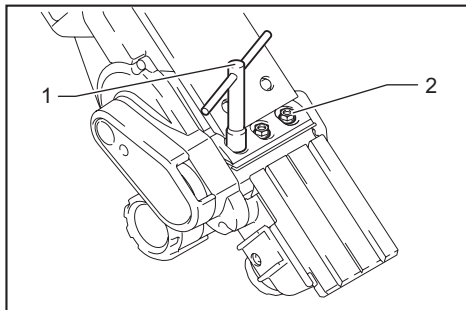


► 1. Rainure du tambour 2. Talon 3. Plaque de tambour 4. Boulon d'installation

8. Serrez uniformément et de manière alternée tous les boulons d'installation, avec la clé polygonale.
9. Répétez les étapes ci-dessus pour l'autre lame de rabot ordinaire.

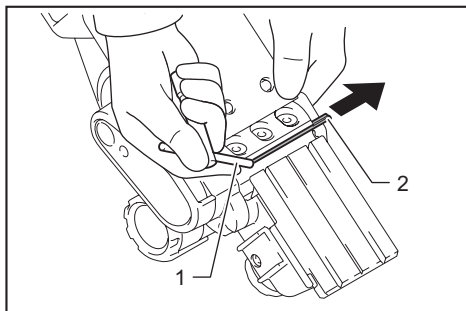
Pour outil à mini-lames de rabot

1. Pour retirer les mini-lames de rabot de l'outil, desserrez les boulons d'installation d'un tour avec la clé polygonale.



► 1. Clé polygonale 2. Boulon d'installation

2. Glissez et retirez la mini-lame de rabot par le côté ceinture de l'outil. Utiliser pour cela le manche de la clé polygonale sera plus facile et plus sécuritaire.



► 1. Manche de la clé polygonale 2. Mini-lame de rabot

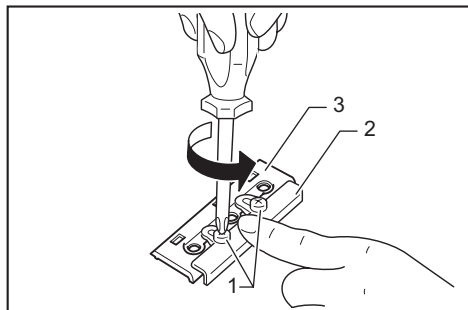
3. Pour poser les mini-lames de rabot, enlevez tous les copeaux et corps étrangers qui adhèrent au tambour et à la mini-lame de rabot.
4. Glissez la mini-lame de rabot par le côté opposé de la ceinture de l'outil.
5. Serrez uniformément et de manière alternée tous les boulons d'installation, avec la clé polygonale.
6. Répétez les étapes ci-dessus pour l'autre mini-lame de rabot.

Pour étalonner la relation entre la plaque de positionnement et la plaque de réglage, procédez comme suit.

1. Desserrez les boulons d'installation d'un tour avec la clé polygonale, retirez d'abord les mini-lames de rabot de l'outil, puis retirez les boulons d'installation.

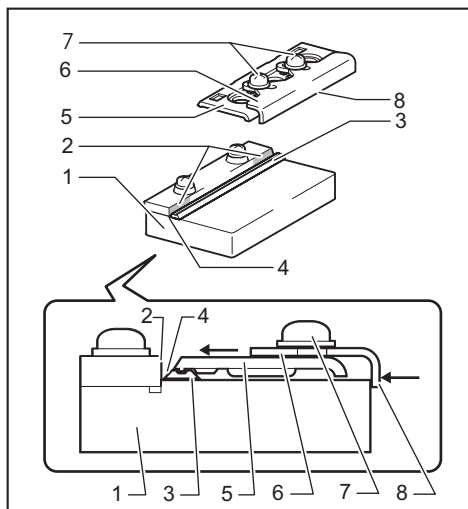
La plaque de tambour et la plaque de positionnement avec plaque de réglage se détachent.

2. Desserrez les vis d'un tour sur la plaque de réglage.



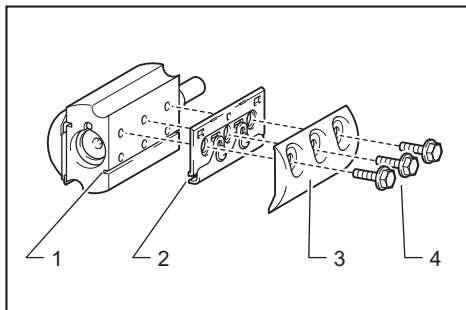
- 1. Vis 2. Plaque de réglage 3. Plaque de positionnement

3. Enlevez tous les copeaux et corps étrangers qui adhèrent à la plaque de positionnement avec plaque de réglage et à la mini-lame de rabot.
4. Placez la mini-lame de rabot sur le gabarit de lame de sorte que le tranchant de la lame soit parfaitement aligné avec le bord intérieur du gabarit de lame.
5. Placez la plaque de positionnement avec plaque de réglage de sorte que les encoches de détrompage de la plaque de positionnement s'alignent sur le reste de la mini-lame de rabot.
6. Enfoncez le talon de la plaque de réglage pour l'aligner parfaitement avec l'arrière du gabarit de lame.
7. Serrez deux vis sur la plaque de réglage pendant qu'une pression est appliquée sur la plaque de réglage.



- 1. Gabarit de lame 2. Bord intérieur du gabarit de lame 3. Tranchant du fer de rabot 4. Tranchant de la lame (de la mini-lame de rabot) 5. Plaque de fixation 6. Plaque de réglage 7. Vis 8. Talon

8. Glissez le talon de la plaque de réglage dans la rainure du tambour.



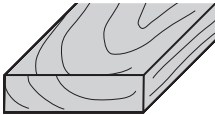
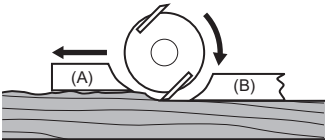
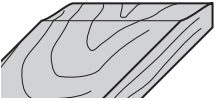
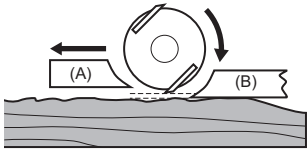
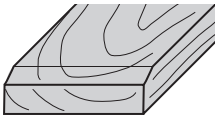
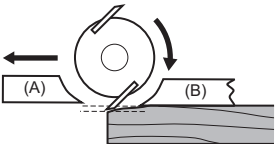
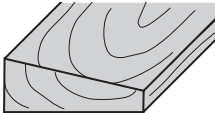
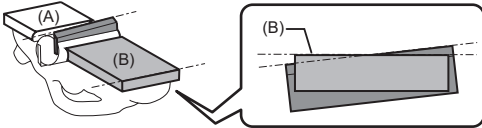
- 1. Rainure du tambour 2. Talon 3. Plaque de tambour 4. Boulon d'installation

9. Vissez tous les boulons d'installation avec la clé polygonale. Installez ensuite la mini-lame de rabot.

Pour une pose correcte des fers

La surface rabotée sera grossière et inégale si la lame n'est pas installée adéquatement et fermement. La lame doit être montée de sorte que son tranchant soit absolument de niveau, c'est-à-dire parallèle à la surface de la base arrière.

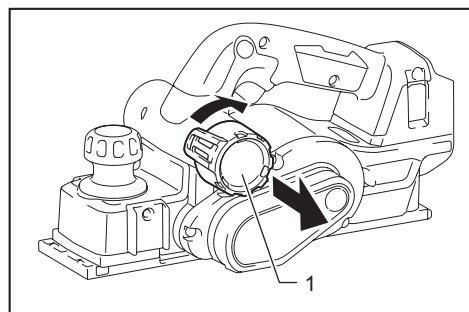
Reportez-vous aux quelques exemples ci-dessous pour les réglages adéquats et inadéquats.

| Surface de rabotage | Positionnement de la lame | Cause |
|--|---|--|
| Positionnement correct  |  | Bien que cela ne soit pas visible sur cette vue latérale, le tranchant des lames est parfaitement parallèle à la surface de la base arrière. |
| Gougeage au début  |  | Les deux tranchants de lame ne dépassent pas assez par rapport à la ligne de base arrière. |
| Gougeage à la fin  |  | Le tranchant d'une ou des deux lames dépasse trop par rapport à la ligne de base arrière. |
| Surface inclinée  |  | Le tranchant d'une ou des deux lames n'est pas parallèle à la ligne de base arrière. |

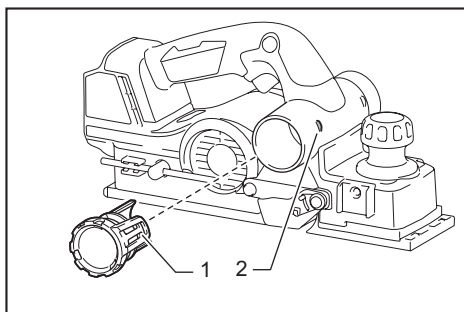
(A) : Base avant (semelle mobile)
(B) : Base arrière (semelle fixe)

Changement du sens de la chute à copeaux

Il est possible d'orienter la chute à copeaux vers la gauche ou la droite. Pour changer le sens, tirez sur la butée tout en tournant légèrement vers l'arrière puis insérez-la dans l'une des deux ouvertures du côté opposé de la chute à copeaux, de sorte que la partie encastrée s'adapte à la partie saillante.



► 1. Butoir

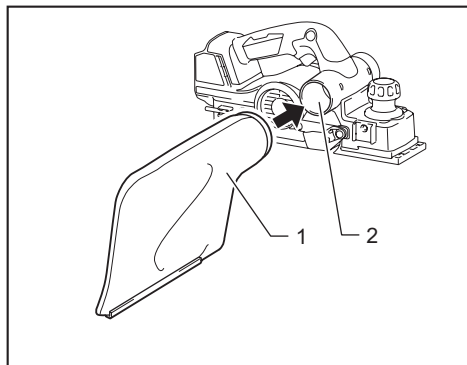


► 1. Partie encastrée 2. Saillie

Sac à poussière

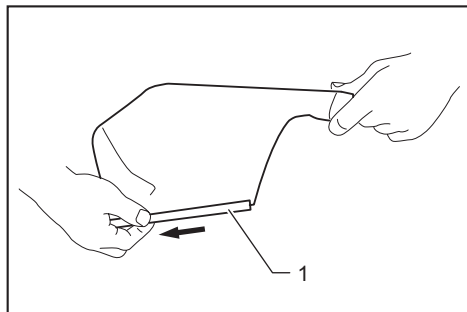
Accessoire en option

Fixez le sac à poussières sur l'ouverture de la chute à copeaux. L'ouverture de la chute à copeaux est fuselée. Pour fixer le sac à poussières, poussez-le fermement et à fond dans l'ouverture de la chute à copeaux pour éviter qu'il ne se détache pendant l'utilisation.



- 1. Sac à poussières 2. Ouverture de la chute à copeaux

Lorsque le sac à poussière est environ à moitié plein, retirez-le de l'outil et tirez sur l'agrafe. Videz le sac à poussière. Tapotez le sac à poussière pour retirer les particules qui adhèrent à l'intérieur et peuvent empêcher la collecte d'autres poussières.

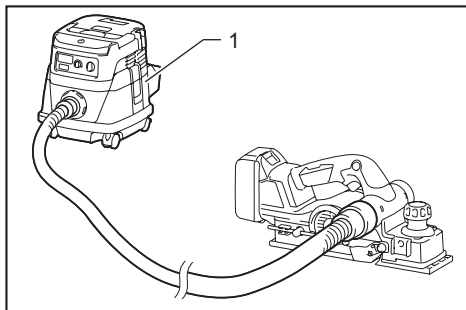


- 1. Pièce de fixation

NOTE : Vous pouvez effectuer un travail plus efficace et plus propre en raccordant un aspirateur Makita à cet outil.

Raccordement à un aspirateur

Lorsque vous souhaitez effectuer un travail propre de rabotage, raccordez un aspirateur Makita à votre outil. Raccordez le tuyau de l'aspirateur à l'ouverture de décharge des copeaux tel qu'illustré sur les figures.

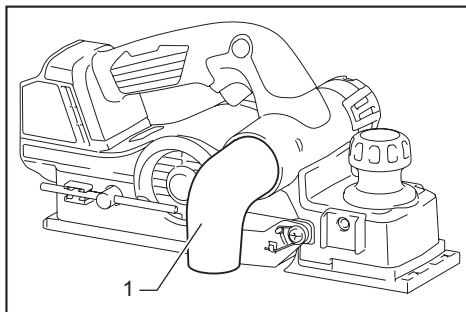


- 1. Aspirateur

Coude

Accessoire en option

L'utilisation du coude permet de changer le sens de la chute à copeaux afin d'effectuer un travail plus propre. Insérez le coude dans l'ouverture de décharge des copeaux. Pour le retirer, tirez simplement dessus.



- 1. Coude

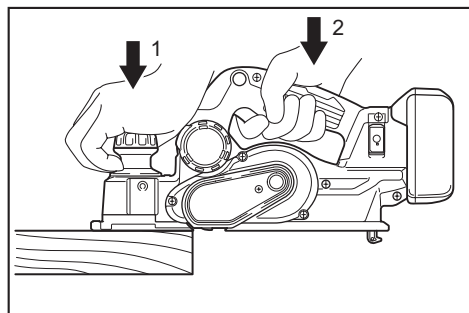
UTILISATION

Lorsque vous utilisez l'outil, tenez-le fermement avec une main sur le pommeau et l'autre sur la poignée d'interrupteur.

Rabotage

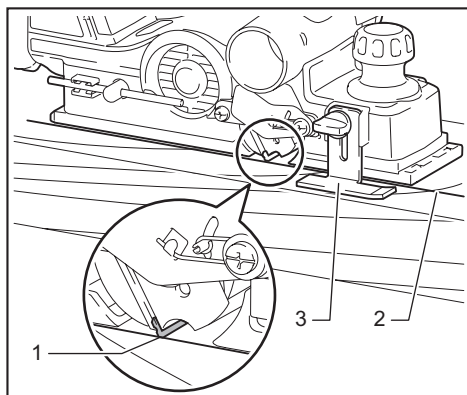
Laissez d'abord reposer la base avant de l'outil à plat contre la surface de la pièce à travailler, sans que les lames ne la touchent. Mettez le contact et attendez que les lames atteignent leur pleine vitesse. Déplacez ensuite lentement l'outil vers l'avant. Appliquez une pression à l'avant de l'outil au début du rabotage, et à l'arrière à la fin du rabotage. Le rabotage sera plus facile si vous fixez la pièce à travailler en position inclinée de sorte que vous puissiez raboter en descendant quelque peu.

Le type de finition obtenu dépend de la vitesse et de la profondeur de coupe. L'outil maintient une vitesse de coupe qui prévient le blocage par les copeaux. Pour une coupe grossière, vous pouvez augmenter la profondeur de coupe, tandis que pour une belle finition vous devez réduire la profondeur de coupe et faire avancer l'outil plus lentement.



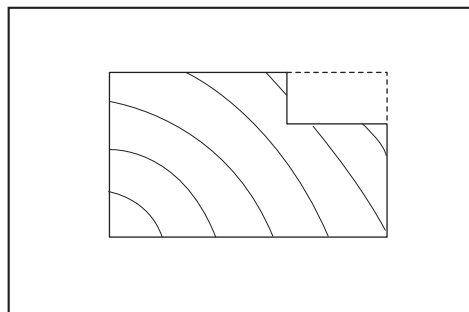
► 1. Début 2. Fin

Pendant le rabotage, déplacez l'outil en gardant le garde parallèle parfaitement aligné sur le côté de la pièce. Autrement, le rabotage risque d'être irrégulier.

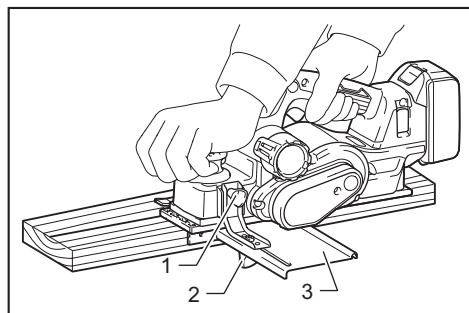


► 1. Bord du fer 2. Ligne de coupe 3. Guide de profondeur

Feuillure (refeuillage)

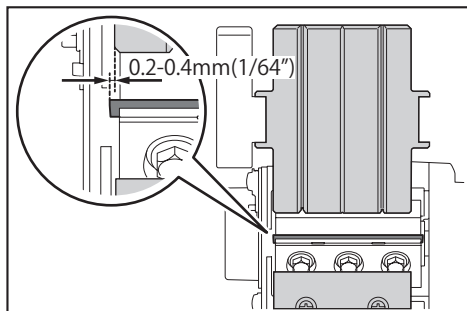


Pour faire une coupe par échelons, tel qu'illustré sur la figure, utilisez le garde parallèle (règle de guidage). Posez le garde parallèle sur l'outil. Fixez-le avec la rondelle et la vis à oreilles (A). Desserrez la vis à oreilles (B) et ajustez le garde parallèle jusqu'à ce qu'il touche le côté de la pièce à travailler. Serrez ensuite fermement la vis à oreilles (B).

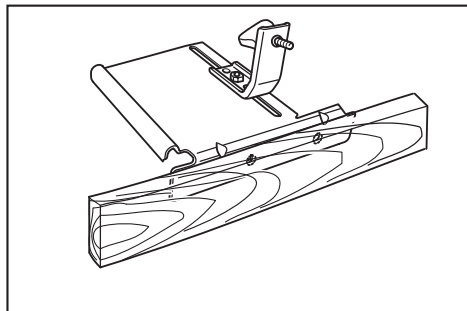


► 1. Vis (A) 2. Vis (B) 3. Garde latéral

AVIS : Le tranchant de la lame doit dépasser légèrement à l'extérieur (0,2 - 0,4 mm (1/64")) pour la feuillure.



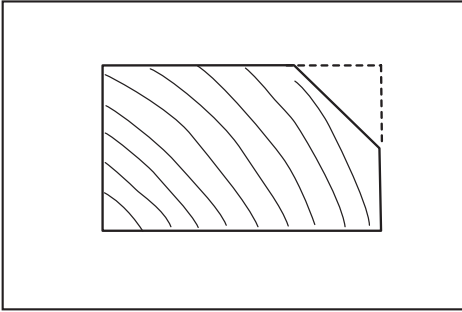
Vous pouvez rallonger le garde en ajoutant une pièce de bois supplémentaire. Des trous pratiques sont prévus dans le garde à cet effet.



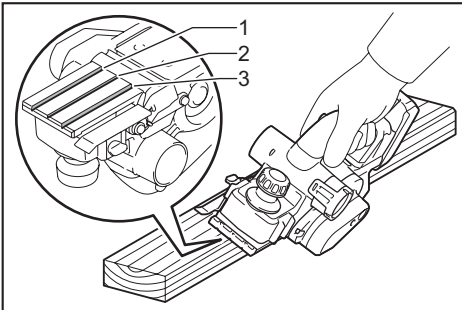
Tracez une ligne de coupe sur la pièce. Alignez le tranchant de la lame sur la ligne de coupe.

Ajustez la profondeur de feuillure à l'aide du guide de profondeur.

Chanfreinage



Pour effectuer un chanfreinage comme celui indiqué sur l'illustration, alignez une des trois rainures en "V" du socle avant sur le bord de la pièce, puis rabotez-la.

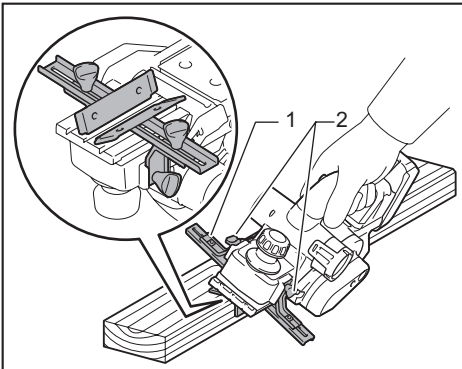


- ▶ 1. Rainure en V (quantité moyenne de chanfrein)
- 2. Rainure en V (petite quantité de chanfrein)
- 3. Rainure en V (grande quantité de chanfrein)

L'utilisation d'une règle de chanfreinage (accessoire en option) assure plus de stabilité de l'outil lors du chanfreinage.

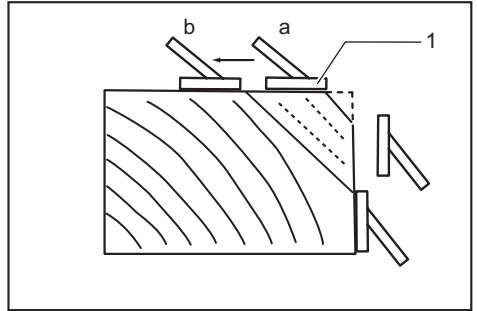
Pour poser la règle de chanfreinage, retirez les deux vis de chaque côté de l'avant de l'outil.

Posez ensuite la règle de chanfreinage sur la base avant de l'outil, et fixez-la avec les vis tel qu'illustré sur la figure.



- ▶ 1. Règle de chanfreinage 2. Vis

Pour effectuer une grande quantité de chanfreinage, placez un bord de la règle de chanfreinage de sorte qu'il touche la pièce à travailler, et effectuez plusieurs passes de rabotage, tel qu'indiqué sur l'illustration.

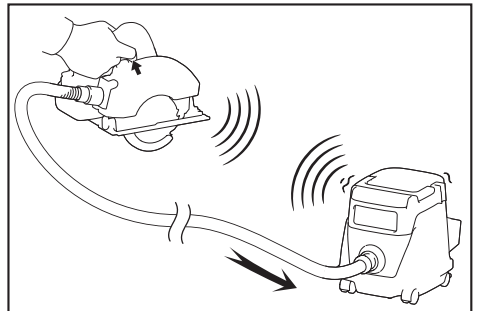


- ▶ 1. Bord de la règle de chanfreinage

FONCTION D'ACTIVATION SANS FIL

Ce que vous pouvez faire avec la fonction d'activation sans fil

La fonction d'activation sans fil permet une utilisation propre et confortable. En raccordant un aspirateur compatible à l'outil, vous pouvez activer l'aspirateur automatiquement lorsque vous utilisez l'interrupteur de l'outil.



Pour utiliser la fonction d'activation sans fil, préparez les éléments suivants :

- Une unité sans fil (accessoire en option)
- Un aspirateur compatible avec la fonction d'activation sans fil

Le réglage de la fonction d'activation sans fil est résumé ci-dessous. Pour les procédures détaillées, reportez-vous à chacune des sections.

1. Installer l'unité sans fil
2. Enregistrement d'outil pour l'aspirateur
3. Démarrer la fonction d'activation sans fil

Installer l'unité sans fil

Accessoire en option

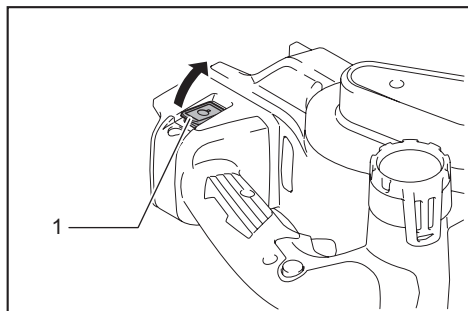
ATTENTION : Mettez l'outil sur une surface plane et stable lorsque vous installez l'unité sans fil.

AVIS : Avant d'installer l'unité sans fil, enlevez les poussières et saletés sur l'outil. Les poussières ou saletés peuvent causer un dysfonctionnement si elles pénètrent dans la fente de l'unité sans fil.

AVIS : Pour éviter que l'électricité statique ne cause un dysfonctionnement, ne prenez l'unité sans fil qu'après avoir touché un objet qui éliminera l'électricité statique, par exemple, une partie métallique de l'outil.

AVIS : Lorsque vous installez l'unité sans fil, assurez-vous toujours qu'elle est insérée dans le bon sens et que le couvercle est complètement fermé.

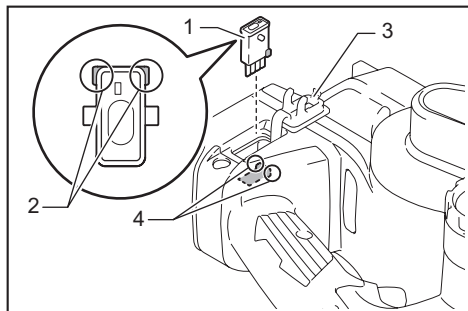
1. Ouvrez le couvercle sur l'outil, tel qu'indiqué sur la figure.



- 1. Couvercle

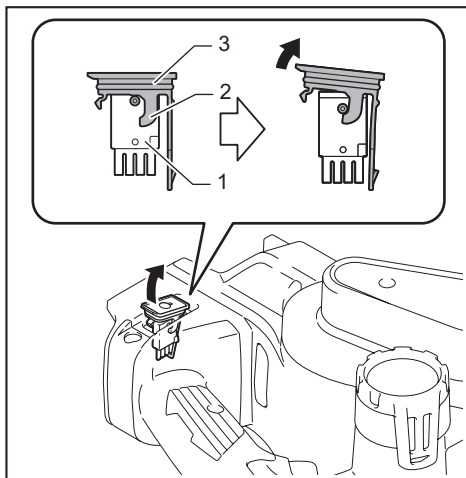
2. Insérez l'unité sans fil dans la fente, puis fermez le couvercle.

Lors de l'insertion de l'unité sans fil, alignez les parties saillantes sur les parties creuses de la fente.



- 1. Unité sans fil 2. Partie saillante 3. Couvercle
4. Partie creuse

Lorsque vous retirez l'unité sans fil, ouvrez lentement le couvercle. Les crochets à l'arrière du couvercle soulèveront l'unité sans fil à mesure que vous tirerez le couvercle vers le haut.



- 1. Unité sans fil 2. Crochet 3. Couvercle

Après avoir retiré l'unité sans fil, gardez-la dans le boîtier fourni ou dans un contenant antistatique.

AVIS : Utilisez toujours les crochets à l'arrière du couvercle lorsque vous retirez l'unité sans fil. Si les crochets ne saisissent pas l'unité sans fil, fermez complètement le couvercle et rouvrez-le lentement.

Enregistrement d'outil pour l'aspirateur

NOTE : Un aspirateur Makita compatible avec la fonction d'activation sans fil est nécessaire pour l'enregistrement d'outil.

NOTE : Terminez l'installation de l'unité sans fil sur l'outil avant de commencer l'enregistrement d'outil.

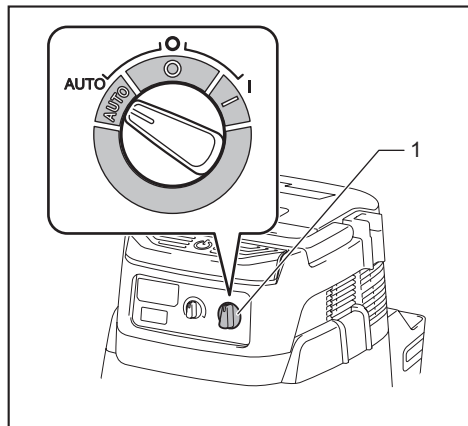
NOTE : Pendant l'enregistrement d'outil, n'appuyez pas sur la gâchette et ne mettez pas l'interrupteur d'alimentation en position de marche sur l'aspirateur.

NOTE : Reportez-vous également au manuel d'instructions de l'aspirateur.

Terminez l'enregistrement d'outil à l'avance, si vous souhaitez que l'aspirateur soit activé lors de l'utilisation de l'interrupteur de l'outil.

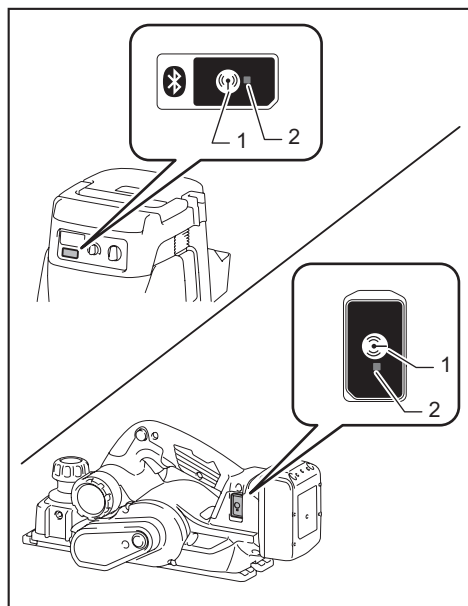
1. Installez les batteries dans l'aspirateur et l'outil.

2. Mettez l'interrupteur d'attente de l'aspirateur sur « AUTO ».



- 1. Interrupteur d'attente

3. Appuyez pendant 3 secondes sur le bouton d'activation sans fil sur l'aspirateur, jusqu'à ce que le témoin d'activation sans fil clignote en vert. Appuyez ensuite de la même manière sur le bouton d'activation sans fil sur l'outil.



- 1. Bouton d'activation sans fil 2. Témoin d'activation sans fil

Si la liaison s'établit entre l'aspirateur et l'outil, les témoins d'activation sans fil s'allumeront en vert pendant 2 secondes puis se mettront à clignoter en bleu.

NOTE : Les témoins d'activation sans fil cessent de clignoter en vert au bout de 20 secondes. Appuyez sur le bouton d'activation sans fil sur l'outil pendant que le témoin d'activation sans fil clignote sur l'aspirateur. Si le témoin d'activation sans fil ne clignote pas en vert, appuyez un court instant sur le bouton d'activation sans fil et maintenez-le enfoncé encore une fois.

NOTE : Lorsque vous effectuez deux enregistrements d'outil ou plus pour un aspirateur, achevez les enregistrements d'outil un à la fois.

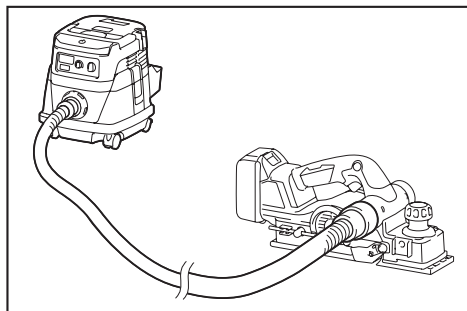
Démarrer la fonction d'activation sans fil

NOTE : Terminez l'enregistrement d'outil pour l'aspirateur avant d'effectuer l'activation sans fil.

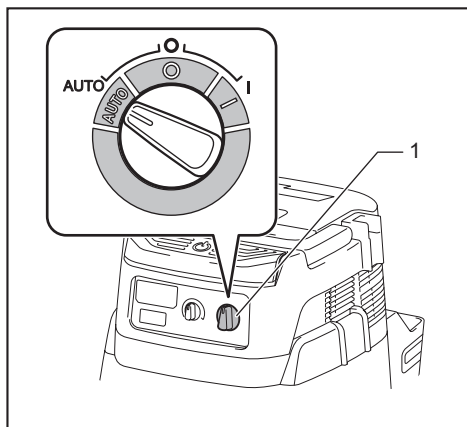
NOTE : Reportez-vous également au manuel d'instructions de l'aspirateur.

Après l'enregistrement d'un outil sur l'aspirateur, ce dernier s'activera automatiquement lors de l'utilisation de l'interrupteur de l'outil.

1. Installez l'unité sans fil sur l'outil.
2. Raccordez le tuyau de l'aspirateur à l'outil.

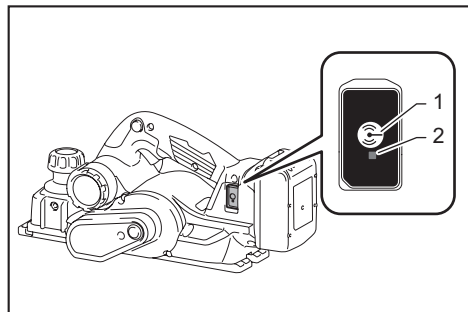


3. Mettez l'interrupteur d'attente de l'aspirateur sur « AUTO ».



- 1. Interrupteur d'attente

4. Appuyez un court instant sur le bouton d'activation sans fil sur l'outil. Le témoin d'activation sans fil clignote en bleu.



► 1. Bouton d'activation sans fil 2. Témoin d'activation sans fil

5. Appuyez sur la gâchette de l'outil. Vérifiez si l'aspirateur fonctionne pendant que vous appuyez sur la gâchette.

Pour arrêter l'activation sans fil de l'aspirateur, appuyez sur le bouton d'activation sans fil sur l'outil.

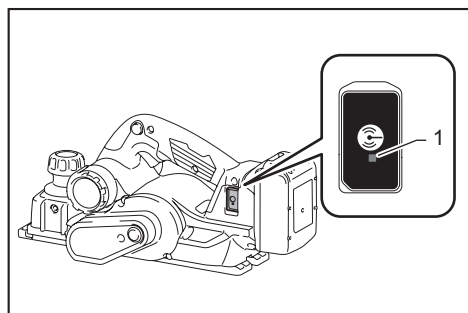
NOTE : Le témoin d'activation sans fil cessera de clignoter en bleu sur l'outil après 2 heures de non-utilisation. Dans ce cas, mettez l'interrupteur d'attente de l'aspirateur sur « AUTO », et appuyez encore une fois sur le bouton d'activation sans fil sur l'outil.

NOTE : L'aspirateur démarre ou s'arrête avec un retard. Il y a un certain délai lorsque l'aspirateur détecte une utilisation de l'interrupteur de l'outil.

NOTE : La distance de transmission de l'unité sans fil peut varier suivant le lieu et les conditions environnantes.

NOTE : Lorsque deux outils ou plus sont enregistrés sur un aspirateur, celui-ci peut démarrer même si vous n'appuyez pas sur la gâchette, si un autre utilisateur utilise la fonction d'activation sans fil.

Description de l'état du témoin d'activation sans fil



► 1. Témoin d'activation sans fil

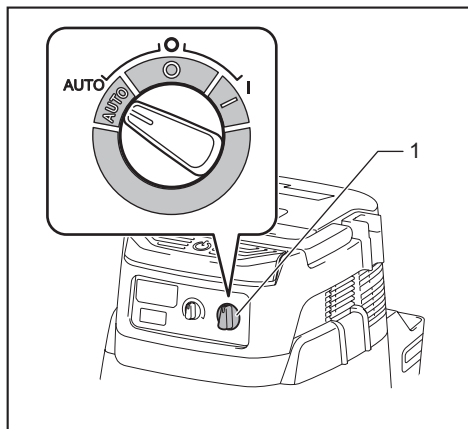
Le témoin d'activation sans fil indique l'état de la fonction d'activation sans fil. Reportez-vous au tableau suivant pour connaître la signification de l'état du témoin.

| État | Témoin d'activation sans fil | | | | Description |
|----------------------------------|------------------------------|-------------------------------------|-------------------------------------|--------------------------------|---|
| | Couleur | <input type="checkbox"/> Allumé | <input type="checkbox"/> Clignotant | Durée | |
| Attente | Bleu | <input checked="" type="checkbox"/> | <input type="checkbox"/> | 2 heures | L'activation sans fil de l'aspirateur est disponible. Le témoin s'éteindra automatiquement après 2 heures de non-utilisation. |
| | | <input type="checkbox"/> | <input type="checkbox"/> | Lorsque l'outil est en marche. | L'activation sans fil de l'aspirateur est disponible et l'outil est en marche. |
| Enregistrement d'outil | Vert | <input checked="" type="checkbox"/> | <input type="checkbox"/> | 20 secondes | Prêt pour l'enregistrement d'outil. Attente de l'enregistrement par l'aspirateur. |
| | | <input type="checkbox"/> | <input type="checkbox"/> | 2 secondes | L'enregistrement d'outil est terminé. Le témoin d'activation sans fil se mettra à clignoter en bleu. |
| Annuler l'enregistrement d'outil | Rouge | <input checked="" type="checkbox"/> | <input type="checkbox"/> | 20 secondes | Prêt pour l'annulation de l'enregistrement d'outil. Attente de l'annulation par l'aspirateur. |
| | | <input type="checkbox"/> | <input type="checkbox"/> | 2 secondes | L'annulation de l'enregistrement d'outil est terminée. Le témoin d'activation sans fil se mettra à clignoter en bleu. |
| Autres | Rouge | <input type="checkbox"/> | <input type="checkbox"/> | 3 secondes | L'alimentation est fournie à l'unité sans fil et la fonction d'activation sans fil démarre. |
| | Éteint | - | - | - | L'activation sans fil de l'aspirateur s'arrête. |

Annuler l'enregistrement d'outil pour l'aspirateur

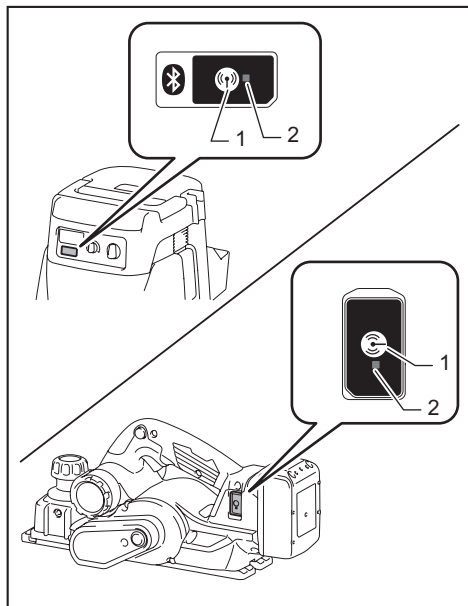
Procédez comme suit pour annuler l'enregistrement d'outil pour l'aspirateur.

1. Installez les batteries dans l'aspirateur et l'outil.
2. Mettez l'interrupteur d'attente de l'aspirateur sur « AUTO ».



► 1. Interrupteur d'attente

3. Appuyez sur le bouton d'activation sans fil sur l'aspirateur pendant 6 secondes. Le témoin d'activation sans fil clignote en vert puis devient rouge. Après cela, appuyez de la même manière sur le bouton d'activation sans fil sur l'outil.



► 1. Bouton d'activation sans fil 2. Témoin d'activation sans fil

Si l'annulation réussit, les témoins d'activation sans fil s'allument en rouge pendant 2 secondes puis se mettent à clignoter en bleu.

NOTE : Les témoins d'activation sans fil cessent de clignoter en rouge au bout de 20 secondes. Appuyez sur le bouton d'activation sans fil sur l'outil pendant que le témoin d'activation sans fil clignote sur l'aspirateur. Si le témoin d'activation sans fil ne clignote pas en rouge, appuyez un court instant sur le bouton d'activation sans fil et maintenez-le enfoncé encore une fois.

Dépannage de la fonction d'activation sans fil

Avant de faire une demande de réparation, faites d'abord votre propre inspection. Si vous rencontrez un problème non indiqué dans ce manuel, n'essayez pas de démonter l'outil. Demandez plutôt à un centre de service après-vente Makita agréé de faire la réparation avec des pièces de rechange Makita.

| État anormal | Cause probable (dysfonctionnement) | Solution |
|--|--|---|
| Le témoin d'activation sans fil ne s'allume pas ou ne clignote pas. | L'unité sans fil n'est pas installée dans l'outil. L'unité sans fil n'est pas bien installée dans l'outil. | Installez l'unité sans fil correctement. |
| | La borne de l'unité sans fil et/ou la fente est sale. | Essayez doucement les poussières et saletés sur la borne de l'unité sans fil, et nettoyez la fente. |
| | Vous n'avez pas appuyé sur le bouton d'activation sans fil sur l'outil. | Appuyez un court instant sur le bouton d'activation sans fil sur l'outil. |
| | L'interrupteur d'attente de l'aspirateur n'est pas sur « AUTO ». | Mettez l'interrupteur d'attente de l'aspirateur sur « AUTO ». |
| | Pas d'alimentation | Fournissez une source d'alimentation à l'outil et à l'aspirateur. |
| L'enregistrement d'outil ou l'annulation de l'enregistrement d'outil échoue. | L'unité sans fil n'est pas installée dans l'outil. L'unité sans fil n'est pas bien installée dans l'outil. | Installez l'unité sans fil correctement. |
| | La borne de l'unité sans fil et/ou la fente est sale. | Essayez doucement les poussières et saletés sur la borne de l'unité sans fil, et nettoyez la fente. |
| | L'interrupteur d'attente de l'aspirateur n'est pas sur « AUTO ». | Mettez l'interrupteur d'attente de l'aspirateur sur « AUTO ». |
| | Pas d'alimentation | Fournissez une source d'alimentation à l'outil et à l'aspirateur. |
| | Utilisation incorrecte | Appuyez un court instant sur le bouton d'activation sans fil et reprenez la procédure d'enregistrement/annulation d'outil. |
| | L'outil et l'aspirateur sont trop éloignés l'un de l'autre (hors de portée de transmission). | Rapprochez l'outil et l'aspirateur l'un de l'autre. La distance maximale de transmission est d'environ 10 m, mais elle peut varier selon les circonstances. |
| | Avant de terminer l'enregistrement ou l'annulation de l'outil : - la gâchette est enfoncée sur l'outil ou; - le bouton d'alimentation de l'aspirateur est en position de marche. | Appuyez un court instant sur le bouton d'activation sans fil et reprenez la procédure d'enregistrement/annulation d'outil. |
| | Les procédures d'enregistrement d'outil n'ont pas été achevées pour l'outil ou pour l'aspirateur. | Effectuez l'enregistrement d'outil pour l'outil et pour l'aspirateur au même moment. |
| L'aspirateur n'est pas activé par l'utilisation de l'interrupteur de l'outil. | L'unité sans fil n'est pas installée dans l'outil. L'unité sans fil n'est pas bien installée dans l'outil. | Installez l'unité sans fil correctement. |
| | La borne de l'unité sans fil et/ou la fente est sale. | Essayez doucement les poussières et saletés sur la borne de l'unité sans fil, et nettoyez la fente. |
| | Vous n'avez pas appuyé sur le bouton d'activation sans fil sur l'outil. | Appuyez un court instant sur le bouton d'activation sans fil et assurez-vous que le témoin d'activation sans fil clignote en bleu. |
| | L'interrupteur d'attente de l'aspirateur n'est pas sur « AUTO ». | Mettez l'interrupteur d'attente de l'aspirateur sur « AUTO ». |
| | Plus de 10 outils sont enregistrés sur l'aspirateur. | Reprenez l'enregistrement d'outil. Si plus de 10 outils sont enregistrés sur l'aspirateur, l'outil enregistré le plus tôt sera automatiquement annulé. |
| | L'aspirateur a effacé tous les enregistrements d'outil. | Reprenez l'enregistrement d'outil. |
| | Pas d'alimentation | Fournissez une source d'alimentation à l'outil et à l'aspirateur. |
| | L'outil et l'aspirateur sont trop éloignés l'un de l'autre (hors de portée de transmission). | Rapprochez l'outil et l'aspirateur l'un de l'autre. La distance maximale de transmission est d'environ 10 m, mais elle peut varier selon les circonstances. |
| | Perturbation radioélectrique par d'autres appareils qui génèrent des ondes radio de forte intensité. | Gardez l'outil et l'aspirateur à l'écart des appareils tels que dispositifs Wi-Fi et fours à micro-ondes. |
| L'aspirateur se met en marche alors que la gâchette de l'outil n'est pas enfoncée. | D'autres utilisateurs utilisent l'activation sans fil de l'aspirateur avec leurs outils. | Mettez le bouton d'activation sans fil en position d'arrêt sur les autres outils, ou annulez l'enregistrement d'outil des autres outils. |

ENTRETIEN

⚠ ATTENTION : Assurez-vous toujours que l'outil est hors tension et que la batterie est retirée avant d'y effectuer tout travail d'inspection ou d'entretien.

AVIS : N'utilisez jamais d'essence, de benzine, de solvant, d'alcool ou autres produits similaires. Une décoloration, une déformation ou la formation de fissures peuvent en découler.

Pour maintenir la SÉCURITÉ et la FIABILITÉ du produit, les réparations et tout autre travail d'entretien ou de réglage doivent être effectués dans un centre de service après-vente autorisé ou une usine Makita, exclusivement avec des pièces de rechange Makita.

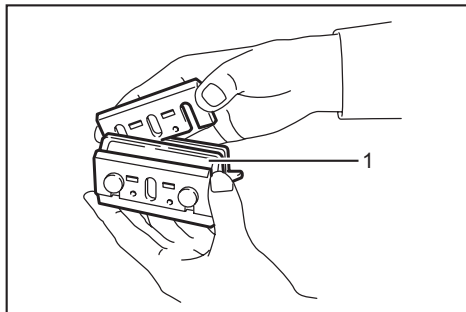
Nettoyage de l'ouverture de décharge des copeaux

Nettoyez régulièrement l'ouverture de décharge des copeaux. Utilisez de l'air comprimé pour nettoyer l'ouverture de décharge des copeaux bouchée.

Affûtage des lames

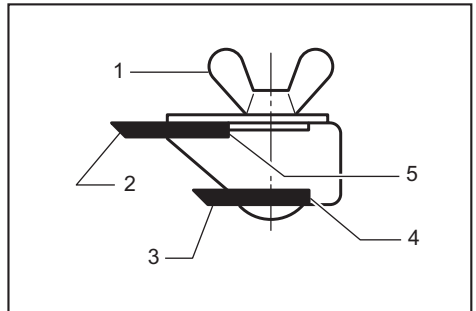
Uniquement pour les lames de rabot classiques

Gardez toujours vos lames bien affûtées pour en tirer le meilleur rendement possible. Utilisez le support d'affûtage pour enlever les entailles et obtenir un tranchant fin.



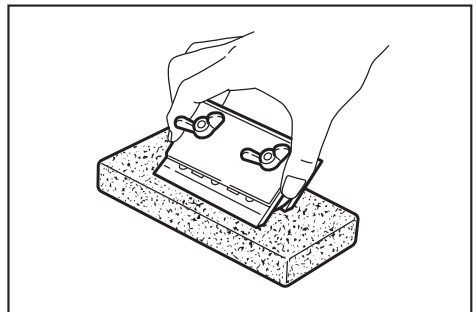
► 1. Support d'affûtage

Desserrez d'abord les deux écrous à oreilles sur le support, et insérez les lames (A) et (B) de sorte qu'elles touchent les côtés (C) et (D). Serrez ensuite les écrous à oreilles.



► 1. Écrou à oreilles 2. Rabot (A) 3. Rabot (B) 4. Côté (D) 5. Côté (C)

Plongez la pierre à affûter dans l'eau pendant 2 ou 3 minutes avant d'affûter. Tenez le support de sorte que les deux lames touchent la pierre à affûter pour un affûtage simultané sur le même angle.



ACCESSOIRES EN OPTION

⚠ ATTENTION : Ces accessoires ou pièces complémentaires sont recommandés pour l'utilisation avec l'outil Makita spécifié dans ce manuel. L'utilisation de tout autre accessoire ou pièce complémentaire peut comporter un risque de blessure. N'utilisez les accessoires ou pièces complémentaires qu'aux fins auxquelles ils ont été conçus.

Pour plus de détails sur ces accessoires, veuillez contacter le centre de service après-vente Makita le plus près.

- Lame de rabot en acier à coupe rapide
- Lame de rabot en carbure de tungstène (pour une lame à durée de service plus longue)
- Mini-lame de rabot
- Ensemble de support d'affûtage
- Gabarit de lame
- Jeu de plaque de positionnement
- Garde parallèle (règle de guidage)
- Pierre à dresser
- Ensemble de sac à poussière
- Coude

- Ensemble de règle de chanfreinage
- Unité sans fil
- Chargeur et batterie authentiques Makita

NOTE : Certains éléments de la liste peuvent être inclus avec l'outil comme accessoires standards. Ils peuvent varier suivant les pays.

GARANTIE LIMITÉE MAKITA

Pour les conditions de garantie en vigueur qui s'appliquent à ce produit, veuillez vous reporter à la feuille de garantie en annexe. Si la feuille de garantie en annexe n'est pas disponible, reportez-vous aux détails de la garantie présentés sur le site Web de votre pays, ci-dessous.

États-Unis d'Amérique: www.makitatools.com

Canada: www.makita.ca

Autres pays: www.makita.com

ESPECIFICACIONES

| | |
|--------------------------|-------------------------------------|
| Modelo: | DKP181 |
| Tensión nominal | 18 V c.c. |
| Ancho de cepillado | 82 mm (3-1/4") |
| Profundidad de cepillado | 3 mm (1/8") |
| Profundidad de rebajado | 25 mm (1") |
| Velocidad sin carga | 12 000 r/min |
| Longitud total | 366 mm (14-3/8") |
| Peso neto | 3,3 kg - 3,6 kg (7,3 lbs - 7,9 lbs) |

- Debido a nuestro continuo programa de investigación y desarrollo, las especificaciones aquí incluidas están sujetas a cambio sin previo aviso.
- Las especificaciones y el cartucho de batería pueden variar de país a país.
- El peso puede variar en función de los accesorios, incluido el cartucho de batería. En la tabla se muestra la combinación de peso más ligero y más pesado conforme al procedimiento 01/2014 de EPTA.

Cartucho de batería y cargador aplicables

| | |
|---------------------|--|
| Cartucho de batería | BL1815N / BL1820B / BL1830 / BL1830B / BL1840B / BL1850B / BL1860B |
| Cargador | DC18RC / DC18RD / DC18RE / DC18SD / DC18SE / DC18SF |

- Algunos de los cartuchos de batería y cargadores enumerados arriba podrían no estar disponibles dependiendo de su área de residencia.

⚠ ADVERTENCIA: Use únicamente los cartuchos de batería y los cargadores indicados arriba. El uso de cualquier otro cartucho de batería y cargador podría ocasionar una lesión y/o un incendio.

ADVERTENCIAS DE SEGURIDAD

Advertencias generales de seguridad para herramientas eléctricas

⚠ ADVERTENCIA: Lea todas las advertencias de seguridad, instrucciones, ilustraciones y especificaciones suministradas con esta herramienta eléctrica. El no seguir todas las instrucciones indicadas a continuación podría ocasionar una descarga eléctrica, incendio y/o lesiones graves.

Conserve todas las advertencias e instrucciones como referencia en el futuro.

En las advertencias, el término "herramienta eléctrica" se refiere a su herramienta eléctrica de funcionamiento con conexión a la red eléctrica (con cableado eléctrico) o herramienta eléctrica de funcionamiento a batería (inalámbrica).

Seguridad en el área de trabajo

1. **Mantenga el área de trabajo limpia y bien iluminada.** Las áreas oscuras o desordenadas son propensas a accidentes.

2. **No utilice las herramientas eléctricas en atmósferas explosivas, tal como en la presencia de líquidos, gases o polvo inflamables.** Las herramientas eléctricas crean chispas que pueden prender fuego al polvo o los humos.
3. **Mantenga a los niños y curiosos alejados mientras utiliza una herramienta eléctrica.** Las distracciones le pueden hacer perder el control.

Seguridad eléctrica

1. **Las clavijas de conexión de las herramientas eléctricas deberán encajar perfectamente en la toma de corriente. No modifique nunca la clavija de conexión de ninguna forma. No utilice ninguna clavija adaptadora con herramientas eléctricas que tengan conexión a tierra (puesta a tierra).** La utilización de clavijas no modificadas y que encajen perfectamente en la toma de corriente reducirá el riesgo de que se produzca una descarga eléctrica.
2. **Evite tocar con el cuerpo superficies conectadas a tierra o puestas a tierra tales como tubos, radiadores, cocinas y refrigeradores.** Si su cuerpo es puesto a tierra o conectado a tierra existirá un mayor riesgo de que sufra una descarga eléctrica.
3. **No exponga las herramientas eléctricas a la lluvia ni a condiciones húmedas.** La entrada de agua en una herramienta eléctrica aumentará el riesgo de que se produzca una descarga eléctrica.

4. **No maltrate el cable. Nunca utilice el cable para transportar, jalar o desconectar la herramienta eléctrica.** Mantenga el cable alejado del calor, aceite, objetos cortantes o piezas móviles. Los cables dañados o enredados aumentan el riesgo de sufrir una descarga eléctrica.
5. **Cuando utilice una herramienta eléctrica en exteriores, utilice un cable de extensión apropiado para uso en exteriores.** La utilización de un cable apropiado para uso en exteriores reducirá el riesgo de que se produzca una descarga eléctrica.
6. **Si no es posible evitar usar una herramienta eléctrica en condiciones húmedas, utilice un alimentador protegido con interruptor de circuito de falla a tierra (ICFT).** El uso de un ICFT reduce el riesgo de descarga eléctrica.
7. **Las herramientas eléctricas pueden producir campos electromagnéticos (CEM) que no son dañinos para el usuario.** Sin embargo, si los usuarios tienen marcapasos y otros dispositivos médicos similares, deberán consultar al fabricante de su dispositivo y/o a su médico antes de operar esta herramienta eléctrica.
8. **No permita que la familiaridad adquirida debido al uso frecuente de las herramientas haga que se sienta confiado e ignore los principios de seguridad de las herramientas.** Un descuido podría ocasionar una lesión grave en una fracción de segundo.
9. **Utilice siempre gafas protectoras para proteger sus ojos de lesiones al usar herramientas eléctricas.** Las gafas deben cumplir con la Norma ANSI Z87.1 en EUA.

Es responsabilidad del empleador imponer el uso de equipos protectores de seguridad apropiados a los operadores de la herramienta y demás personas cerca del área de trabajo.

Seguridad personal

1. **Manténgase alerta, preste atención a lo que está haciendo y utilice su sentido común cuando opere una herramienta eléctrica. No utilice una herramienta eléctrica cuando esté cansado o bajo la influencia de drogas, alcohol o medicamentos.** Un momento de distracción mientras opera las herramientas eléctricas puede terminar en una lesión grave.
2. **Use equipo de protección personal. Póngase siempre protección para los ojos.** El equipo protector tal como máscara contra el polvo, zapatos de seguridad antiderrapantes, casco rígido y protección para oídos utilizados en las condiciones apropiadas reducirá el riesgo de lesiones.
3. **Impida el encendido accidental. Asegúrese de que el interruptor esté en la posición de apagado antes de conectar a la alimentación eléctrica y/o de colocar el cartucho de batería, así como al levantar o cargar la herramienta.** Cargar las herramientas eléctricas con su dedo en el interruptor o enchufarlas con el interruptor encendido hace que los accidentes sean comunes.
4. **Retire cualquier llave de ajuste o llave de apriete antes de encender la herramienta.** Una llave de ajuste o llave de apriete que haya sido dejada puesta en una parte giratoria de la herramienta eléctrica puede ocasionar alguna lesión.
5. **No utilice la herramienta donde no alcance. Mantenga los pies sobre suelo firme y el equilibrio en todo momento.** Esto permite un mejor control de la herramienta eléctrica en situaciones inesperadas.
6. **Use una vestimenta apropiada. No use ropa suelta ni alhajas. Mantenga el cabello, la ropa y los guantes alejados de las piezas móviles.** Las prendas de vestir holgadas, las alhajas y el cabello largo suelto podrían engancharse en estas piezas móviles.
7. **Si dispone de dispositivos para la conexión de equipos de extracción y recolección de polvo, asegúrese de conectarlos y utilizarlos debidamente.** Hacer uso de la recolección de polvo puede reducir los riesgos relacionados con el polvo.
8. **No utilice la herramienta eléctrica si el interruptor no la enciende y apaga.** Cualquier herramienta eléctrica que no pueda ser controlada con el interruptor es peligrosa y debe ser reemplazada.
9. **Desconecte la clavija de la fuente de alimentación y/o retire la batería de la herramienta eléctrica, en caso de ser removible, antes de realizar ajustes, cambiar accesorios o almacenar las herramientas eléctricas.** Tales medidas de seguridad preventivas reducirán el riesgo de poner en marcha la herramienta eléctrica de forma accidental.
4. **Guarde la herramienta eléctrica que no use fuera del alcance de los niños y no permita que las personas que no están familiarizadas con ella o con las instrucciones la operen.** Las herramientas eléctricas son peligrosas en manos de personas que no saben operarlas.
5. **Dé mantenimiento a las herramientas eléctricas y los accesorios. Compruebe que no haya piezas móviles desalineadas o estancadas, piezas rotas y cualquier otra condición que pueda afectar al funcionamiento de la herramienta eléctrica. Si la herramienta eléctrica está dañada, haga que la reparen antes de utilizarla.** Muchos de los accidentes son ocasionados por no dar un mantenimiento adecuado a las herramientas eléctricas.
6. **Mantenga las herramientas de corte limpias y filosas.** Si recibe un mantenimiento adecuado y tiene los bordes afilados, es probable que la herramienta se atasque menos y sea más fácil controlarla.
7. **Utilice la herramienta eléctrica, los accesorios y las brocas de acuerdo con estas instrucciones, considerando las condiciones laborales y el trabajo a realizar.** Si utiliza la herramienta eléctrica para realizar operaciones distintas de las indicadas, podrá presentarse una situación peligrosa.
8. **Mantenga los mangos y superficies de asimiento secos, limpios y libres de aceite o grasa.** Los mangos y superficies de asimiento resbalosos no permiten una manipulación segura ni el control de la herramienta en situaciones inesperadas.
9. **Cuando vaya a utilizar esta herramienta, evite usar guantes de trabajo de tela ya que éstos podrían atorarse.** Si los guantes de trabajo de tela llegan a atorarse en las piezas móviles, esto podría ocasionar lesiones personales.

Uso y cuidado de la herramienta a batería

1. **Recargue sólo con el cargador especificado por el fabricante.** Un cargador que es adecuado para un solo tipo de batería puede generar riesgo de incendio al ser utilizado con otra batería.
 2. **Utilice las herramientas eléctricas solamente con las baterías designadas específicamente para ellas.** La utilización de cualquier otra batería puede crear un riesgo de lesiones o incendio.
 3. **Cuando no se esté usando la batería, manténgala alejada de otros objetos metálicos, como sujetapapeles (clips), monedas, llaves, clavos, tornillos u otros objetos pequeños de metal los cuales pueden actuar creando una conexión entre las terminales de la batería.** Originar un cortocircuito en las terminales puede causar quemaduras o incendios.
 4. **En condiciones abusivas, podrá escapar líquido de la batería; evite tocarlo. Si lo toca accidentalmente, enjuague con agua. Si hay contacto del líquido con los ojos, busque asistencia médica.** Puede que el líquido expulsado de la batería cause irritación o quemaduras.
 5. **No utilice una herramienta ni una batería que estén dañadas o hayan sido modificadas.** Las baterías dañadas o modificadas podrían ocasionar una situación inesperada provocando un incendio, explosión o riesgo de lesiones.
 6. **No exponga la herramienta ni la batería al fuego ni a una temperatura excesiva.** La exposición al fuego o a una temperatura superior a los 130 °C podría causar una explosión.
 7. **Siga todas las instrucciones para la carga y evite cargar la herramienta o la batería fuera del rango de temperatura especificado en las instrucciones.** Una carga inadecuada o a una temperatura fuera del rango especificado podría dañar la batería e incrementar el riesgo de incendio.
2. **Utilice abrazaderas o algún otro modo práctico para asegurar y sujetar la pieza de trabajo a una plataforma estable.** Sostener la pieza de trabajo con la mano o contra su cuerpo produce inestabilidad y podría ocasionar una posible pérdida de control.
 3. **Nunca se deben dejar trapos, paños, cuerdas o cordeles en el área de trabajo.**
 4. **Evite cortar clavos. Inspeccione y quite todos los clavos de la pieza de trabajo antes de la operación.**
 5. **Utilice sólo cuchillas afiladas. Manipule las cuchillas con mucho cuidado.**
 6. **Asegúrese de que los pernos de instalación de la cuchilla estén firmemente apretados antes de la operación.**
 7. **Sujete la herramienta firmemente con ambas manos.**
 8. **Mantenga las manos alejadas de las piezas giratorias.**
 9. **Antes de utilizar la herramienta en una pieza de trabajo definitiva, déjela funcionar durante un rato. Observe si hay vibración o bamboleo que pueda indicar una instalación incorrecta o una cuchilla mal equilibrada.**
 10. **Asegúrese de que la cuchilla no esté haciendo contacto con la pieza de trabajo antes de activar el interruptor.**
 11. **Espere hasta que la cuchilla alcance plena velocidad antes de cortar.**
 12. **Siempre apague la herramienta y espere a que las cuchillas se detengan por completo antes de ajustar la profundidad de corte.**
 13. **Nunca coloque su dedo en el canal de absorción de astillas. El canal puede obstruirse al cortar madera húmeda. Limpie las astillas con un palillo.**
 14. **No deje la herramienta en marcha. Opere la herramienta solamente cuando la tenga en la mano.**

Servicio

1. **Haga que una persona calificada repare la herramienta eléctrica utilizando sólo piezas de repuesto idénticas.** Esto asegura que se mantenga la seguridad de la herramienta eléctrica.
 2. **Nunca dé servicio a baterías que estén dañadas.** El servicio a las baterías solamente deberá ser efectuado por el fabricante o un agente de servicio autorizado.
 3. **Siga las instrucciones para la lubricación y cambio de accesorios.**
 4. **No modifique ni intente reparar el aparato ni el paquete de baterías salvo como se indique en las instrucciones para el uso y cuidado.**
15. **Cuando reemplace las cuchillas o algunas piezas del tambor, asegúrese de reemplazar las piezas en ambos lados del tambor como un conjunto.** De lo contrario, el desequilibrio resultante ocasionará vibraciones que acortarán la vida útil de la herramienta.
 16. **Utilice sólo las cuchillas Makita especificadas en este manual.**
 17. **Siempre utilice la máscara contra polvo/respirador para el material y la aplicación con los que esté trabajando.**
 18. **Opere la herramienta bajo condiciones estables.** La operación en condiciones inestables podría provocar un daño por lesión.

Advertencias de seguridad para el cepillo inalámbrico

1. **Espere a que la pieza cortadora se detenga antes de colocar la herramienta en el suelo.** Si la pieza cortadora queda expuesta mientras está girando, ésta podría engancharse con la superficie y ocasionar una posible pérdida de control así como lesiones graves.

GUARDE ESTAS INSTRUCCIONES.

⚠️ ADVERTENCIA: NO DEJE que la comodidad o familiaridad con el producto (a base de utilizarlo repetidamente) evite que siga estrictamente las normas de seguridad para dicho producto.

EI USO INCORRECTO o el no seguir las normas de seguridad indicadas en este manual de instrucciones puede ocasionar lesiones graves.

Instrucciones importantes de seguridad para el cartucho de batería

1. Antes de utilizar el cartucho de batería, lea todas las instrucciones e indicaciones de precaución en el (1) el cargador de batería, (2) la batería, y (3) el producto con el que se utiliza la batería.
2. No desarme el cartucho de batería.
3. Si el tiempo de operación se ha acortado en exceso, deje de operar de inmediato. Podría correrse el riesgo de sobrecalentamiento, posibles quemaduras e incluso explosión.
4. En caso de que ingresen electrolitos en sus ojos, enjuáguelos bien con agua limpia y consulte de inmediato a un médico. Esto podría ocasionar pérdida de visión.
5. Evite cortocircuitar el cartucho de batería:
 - (1) No toque las terminales con ningún material conductor.
 - (2) Evite guardar el cartucho de batería en un cajón junto con otros objetos metálicos, tales como clavos, monedas, etc.
 - (3) No exponga el cartucho de batería al agua o la lluvia.

Un cortocircuito en la batería puede causar un flujo grande de corriente, sobrecalentamiento, posibles quemaduras e incluso una descompostura.

6. No guarde la herramienta ni el cartucho de batería en lugares donde la temperatura pueda alcanzar o exceder los 50°C (122°F).
7. Nunca incinere el cartucho de batería incluso en el caso de que esté dañado seriamente o ya no sirva en absoluto. El cartucho de batería puede explotar si se tira al fuego.
8. Tenga cuidado de no dejar caer ni golpear la batería.
9. No use una batería dañada.
10. Las baterías de ión de litio están sujetas a los requisitos reglamentarios en materia de bienes peligrosos. Para el transporte comercial, por ej., mediante terceros o agentes de transporte, se deben tomar en cuenta los requisitos especiales relativos al empaque y el etiquetado. Para efectuar los preparativos del artículo que se va a enviar, se requiere consultar a un experto en materiales peligrosos. Si es posible, consulte además otras regulaciones nacionales más detalladas. Pegue o cubra con cinta adhesiva los contactos abiertos y empaque la batería de manera que ésta no pueda moverse dentro del paquete.
11. Para deshacerse del cartucho de batería, sáquelo de la herramienta y deséchelo en un lugar seguro. Siga las regulaciones locales relacionadas al desecho de las baterías.
12. Utilice las baterías únicamente con los productos especificados por Makita. Instalar las baterías en productos que no cumplan con los requisitos podría ocasionar un incendio, un calentamiento excesivo, una explosión o una fuga de electrolito.
13. Si no se utiliza la herramienta por un período largo, debe extraerse la batería de la herramienta.

GUARDE ESTAS INSTRUCCIONES.


PRECAUCIÓN: Utilice únicamente baterías originales de Makita. El uso de baterías no originales de Makita, o de baterías alteradas, puede ocasionar que las baterías exploten causando un incendio, lesiones personales y daños. Asimismo, esto invalidará la garantía de Makita para la herramienta y el cargador Makita.

Consejos para alargar al máximo la vida útil de la batería

1. Cargue el cartucho de batería antes de que se descargue completamente. Pare siempre la operación y cargue el cartucho de batería cuando note menos potencia en la herramienta.
2. No cargue nunca un cartucho de batería que esté completamente cargado. La sobrecarga acortará la vida de servicio de la batería.
3. Cargue el cartucho de batería a una temperatura ambiente de 10 °C - 40 °C (50 °F - 104 °F). Si un cartucho de batería está caliente, déjelo enfriar antes de cargarlo.
4. Cargue el cartucho de batería si no va a utilizarlo durante un período prolongado (más de seis meses).

Símbolos

A continuación se muestran los símbolos utilizados para la herramienta.

| | |
|---|---|
| V | volts o voltios |
|  | corriente directa o continua |
| n ₀ | velocidad en vacío o sin carga |
| ... /min r /min | revoluciones o alternaciones por minuto, frecuencia de rotación |

Instrucciones importantes de seguridad para la unidad inalámbrica

1. No desarme ni modifique la unidad inalámbrica.
2. Mantenga la unidad inalámbrica alejada de los niños pequeños. En caso de ingerirla accidentalmente, solicite atención médica de inmediato.
3. Utilice la unidad inalámbrica solamente con herramientas de Makita.
4. No exponga la unidad inalámbrica a la lluvia ni a condiciones de humedad.
5. No utilice la unidad inalámbrica en lugares donde la temperatura exceda los 50°C (122°F).
6. No utilice la unidad inalámbrica en lugares donde haya instrumentos médicos tales como marcapasos cerca.
7. No utilice la unidad inalámbrica en lugares donde haya dispositivos automáticos cerca. Si se utiliza, los dispositivos automáticos podrían causar alguna avería o error.

8. No opere la unidad inalámbrica en lugares con alta temperatura o donde pueda generarse electricidad estática o ruido eléctrico.
9. La unidad inalámbrica puede producir campos electromagnéticos (CEM), sin embargo éstos no son dañinos para el usuario.
10. La unidad inalámbrica es un instrumento de precisión. Tenga cuidado de no dejar caer ni golpear la unidad inalámbrica.
11. Evite tocar la terminal de la unidad inalámbrica con las manos descubiertas o con materiales metálicos.
12. Retire siempre la batería del producto al instalar en él la unidad inalámbrica.
13. Cuando abra la tapa de la ranura, evite el lugar donde el polvo y el agua puedan introducirse en la ranura. Mantenga siempre la entrada de la ranura limpia.
14. Inserte siempre la unidad inalámbrica en la dirección correcta.
15. No oprima el botón de activación inalámbrica en la unidad inalámbrica demasiado fuerte, ni lo haga con ningún objeto que tenga un borde filoso.
16. Cierre siempre la tapa de la ranura durante la operación.
17. No retire la unidad inalámbrica de la ranura mientras se esté suministrando energía a la herramienta. El hacerlo podría causar una avería de la unidad inalámbrica.
18. No retire la etiqueta en la unidad inalámbrica.
19. No coloque ninguna etiqueta en la unidad inalámbrica.
20. No deje la unidad inalámbrica en un lugar donde pueda generarse electricidad estática o ruido eléctrico.
21. No deje la unidad inalámbrica en un lugar sujeto a temperaturas altas, tal como un vehículo estacionado bajo el sol.
22. No deje la unidad inalámbrica en un lugar donde haya polvo o suciedad ni en un lugar donde pueda generarse gas corrosivo.
23. Los cambios repentinos de temperatura podrían humedecer la unidad inalámbrica. No utilice la unidad inalámbrica hasta que la condensación se haya secado por completo.
24. Cuando vaya a limpiar la unidad inalámbrica, hágalo cuidadosamente usando un paño suave seco. No utilice bencina, disolvente, grasa conductora o sustancias similares.
25. Cuando vaya a almacenar la unidad inalámbrica, guárdela en el estuche suministrado o en un contenedor libre de electricidad estática.
26. No inserte ningún otro dispositivo que no sea la unidad inalámbrica de Makita en la ranura de la herramienta.
27. No utilice la herramienta si la tapa de la ranura está dañada. La entrada de agua, polvo o suciedad en la ranura podría causar una avería.
28. No jale ni tuerza la tapa de la ranura más de lo necesario. Vuelva a colocar la tapa si ésta se sale de la herramienta.
29. Reemplace la tapa de la ranura si llega a perderse o dañarse.

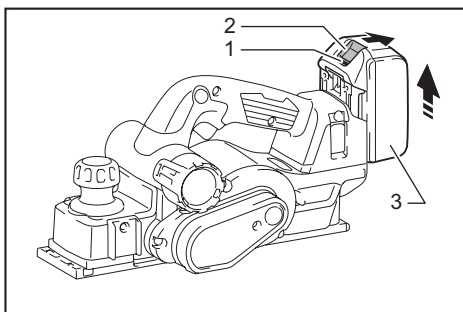
DESCRIPCIÓN DEL FUNCIONAMIENTO

⚠PRECAUCIÓN: Asegúrese siempre de que la herramienta esté apagada y el cartucho de batería haya sido extraído antes de realizar cualquier ajuste o comprobación en la herramienta.

Instalación o extracción del cartucho de batería

⚠PRECAUCIÓN: Apague siempre la herramienta antes de colocar o quitar el cartucho de batería.

⚠PRECAUCIÓN: Sujete la herramienta y el cartucho de la batería con firmeza al colocar o quitar el cartucho de batería. Si no se sujeta con firmeza la herramienta y el cartucho de batería, puede ocasionar que se resbalen de sus manos causando daños a la herramienta y al cartucho de batería, así como lesiones a la persona.



► 1. Indicador rojo 2. Botón 3. Cartucho de batería

Para quitar el cartucho de batería, deslícelo de la herramienta mientras desliza el botón sobre la parte delantera del cartucho.

Para colocar el cartucho de batería, alinee la lengüeta sobre el cartucho de batería con la ranura en la carcasa y deslice en su lugar. Inserte por completo hasta que se fije en su lugar con un pequeño clic. Si puede ver el indicador rojo del lado superior del botón, esto indica que no ha quedado fijo por completo.

⚠PRECAUCIÓN: Introduzca siempre completamente el cartucho de batería hasta que el indicador rojo no pueda verse. Si no, podría accidentalmente salirse de la herramienta y caer al suelo causando una lesión a usted o alguien a su alrededor.

⚠PRECAUCIÓN: No instale el cartucho de batería a la fuerza. Si el cartucho no se desliza al interior fácilmente, se debe a que no está siendo insertado correctamente.

GUARDE ESTAS INSTRUCCIONES.

Sistema de protección para la herramienta/batería

La herramienta está equipada con un sistema de protección para la herramienta/batería. Este sistema corta en forma automática el suministro de energía al motor para prolongar la vida útil de la herramienta y la batería. La herramienta se detendrá automáticamente durante la operación si la herramienta o la batería se someten a una de las siguientes condiciones. En algunas condiciones, los indicadores pueden encenderse.

Protección contra sobrecarga

Cuando la herramienta sea utilizada de una manera que cause que consuma una cantidad anormalmente alta de corriente, la herramienta se detendrá automáticamente. En este caso, apague la herramienta y detenga la aplicación que causó que la herramienta se sobrecargara. Luego encienda la herramienta para volver a arrancarla.

Protección contra sobrecalentamiento

Cuando la herramienta se sobrecaliente, ésta se detendrá automáticamente y el indicador de batería parpadeará alrededor de 60 segundos. En este caso, permita que la herramienta se enfríe antes de volver a encenderla.

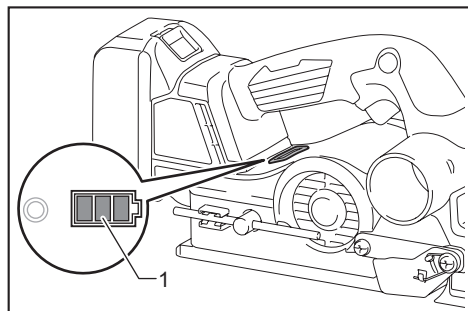
| ■ Encendido | ▣ Parpadeando |
|-------------|---------------|
| | |

Protección contra sobredescarga

Cuando la capacidad de la batería se reduce, la herramienta se detiene automáticamente. Si el producto no funciona incluso cuando los interruptores están siendo operados, retire las baterías de la herramienta y cárguelas.

Indicación de capacidad restante de la batería

Si jala el gatillo interruptor, el indicador de batería mostrará la capacidad restante de la batería.



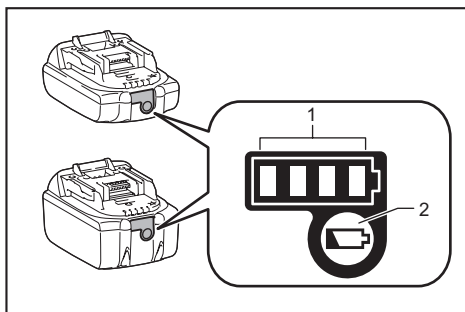
► 1. Indicador de batería

La capacidad restante de la batería se muestra tal como se indica en la tabla a continuación.

| Estado del indicador de batería | | | Capacidad restante de la batería |
|---------------------------------|-----------|---------------|----------------------------------|
| ■ Encendido | □ Apagado | ▣ Parpadeando | |
| | | | 50% a 100% |
| | | | 20% a 50% |
| | | | 0% a 20% |
| | | | Cargar la batería |

Indicación de la capacidad restante de la batería

Únicamente para cartuchos de batería con el indicador



► 1. Luces indicadoras 2. Botón de verificación

Oprima el botón de verificación en el cartucho de la batería para que indique la capacidad restante de la batería. Las luces indicadoras se iluminarán por algunos segundos.

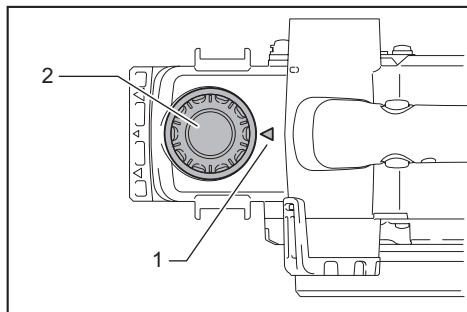
| Luces indicadoras | | | Capacidad restante |
|-------------------|------------|---------------|---------------------------------------|
| ■ Iluminadas | □ Apagadas | ▣ Parpadeando | |
| ■ ■ ■ ■ | | | 75% a 100% |
| ■ ■ ■ □ | | | 50% a 75% |
| ■ ■ □ □ | | | 25% a 50% |
| ■ □ □ □ | | | 0% a 25% |
| ▣ □ □ □ | | | Cargar la batería. |
| ■ ■ □ □ | | | La batería pudo haber funcionado mal. |
| □ □ ■ ■ | | | |

NOTA: Dependiendo de las condiciones de uso y la temperatura ambiente, la indicación podrá diferir ligeramente de la capacidad real.

Ajuste de la profundidad de corte

⚠PRECAUCIÓN: Asegúrese de que las cuchillas estén detenidas por completo antes de ajustar la profundidad de corte.

La profundidad del corte puede ajustarse al simplemente girar la perilla al frente de la herramienta de tal forma que el puntero indique la profundidad de corte deseada.



► 1. Puntero 2. Perilla

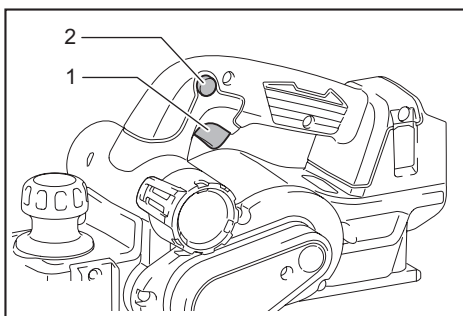
Accionamiento del interruptor

⚠ADVERTENCIA: Antes de insertar el cartucho de batería en la herramienta, compruebe siempre y cerciórese de que el gatillo interruptor se acciona debidamente y que vuelve a la posición "OFF" (apagado) cuando lo suelta.

⚠ADVERTENCIA: NUNCA inhabilite el botón de desbloqueo manteniéndolo presionado con cinta adhesiva o mediante otro método. El uso de un interruptor con un botón de desbloqueo inhabilitado puede ocasionar una operación accidental y lesiones personales graves.

⚠ADVERTENCIA: NUNCA use la herramienta si se activa simplemente al jalar el gatillo interruptor sin que haya presionado el botón de desbloqueo. El uso de un interruptor que requiere reparación puede ocasionar una operación accidental y lesiones personales graves. Lleve la herramienta a un centro de servicio Makita para las reparaciones apropiadas ANTES de continuar su uso.

El botón de desbloqueo es suministrado para evitar jalar accidentalmente el gatillo interruptor. Para arrancar la herramienta, presione el botón de desbloqueo y jale el gatillo interruptor. Para detenerla, suelte el gatillo interruptor.



► 1. Gatillo interruptor 2. Botón de desbloqueo

AVISO: No jale fuertemente el gatillo interruptor sin presionar el botón de desbloqueo. Esto podría dañar el interruptor.

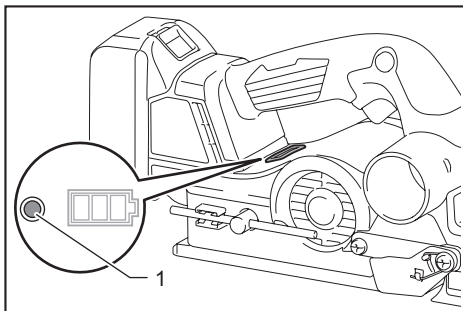
Freno eléctrico

La herramienta está equipada con un freno eléctrico. Si la herramienta falla constantemente en detenerse tras soltar el gatillo interruptor, lleve la herramienta a mantenimiento a un centro de servicio Makita.

Función de cambio de velocidad automática

Esta herramienta cuenta con "modo de alta velocidad" y "modo de alta torsión".

La herramienta cambia automáticamente el modo de operación en función de la carga de trabajo. Cuando la carga de trabajo sea baja, la herramienta funcionará en "modo de alta velocidad" para una operación de corte más rápida. Cuando la carga de trabajo sea alta, la herramienta funcionará en "modo de alta torsión" para una operación de corte con mayor potencia.



► 1. Indicador de modo

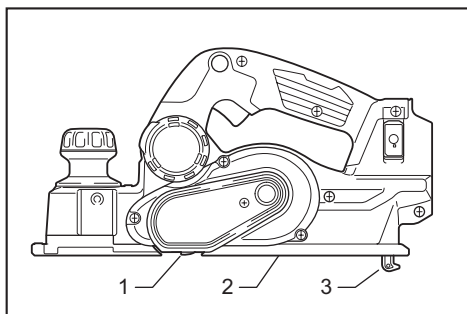
El indicador de modo se encenderá en verde cuando la herramienta esté funcionando en "modo de alta torsión".

Si la herramienta es operada con una carga excesiva, el indicador de modo comenzará a parpadear en verde. El indicador de modo dejará de parpadear y luego se encenderá o se apagará al reducir la carga en la herramienta.

| Estado del indicador de modo | | | Modo de operación |
|------------------------------|-----------|---------------|------------------------|
| ● Encendido | ○ Apagado | ● Parpadeando | |
| | ○ | | Modo de alta velocidad |
| | ● | | Modo de alta torsión |
| | | ● | Alerta de sobrecarga |

Pie

Después de la operación de corte, eleve el lado posterior de la herramienta de manera que el pie por debajo del nivel de la base trasera. Esto evita que las cuchillas del cepillo se dañen.



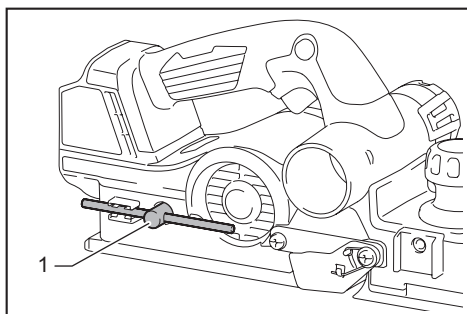
► 1. Cuchilla del cepillo 2. Base posterior 3. Pie

ENSAMBLE

PRECAUCIÓN: Asegúrese siempre de que la herramienta esté apagada y el cartucho de batería haya sido extraído antes de realizar cualquier trabajo en la misma.

Almacenamiento de la llave de bujías

Cuando no la utilice, guarde la llave de bujías tal como se muestra en la ilustración para evitar que se pierda.



► 1. Llave de bujías

Extracción o instalación de las cuchillas del cepillo

PRECAUCIÓN: Apriete con cuidado los pernos de instalación de las cuchillas cuando coloque las cuchillas en la herramienta. Siempre verifique que estén firmemente apretados. Un perno de instalación flojo puede ser peligroso.

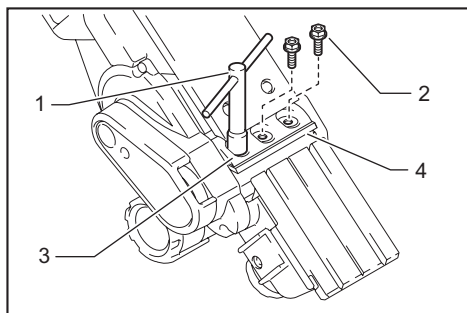
PRECAUCIÓN: Manipule las cuchillas con mucho cuidado. Utilice guantes o trapos para proteger sus dedos y manos cuando extraiga o instale las cuchillas.

PRECAUCIÓN: Utilice sólo la llave Makita provista para extraer o instalar las cuchillas. El no hacerlo podría hacer que los pernos de instalación quedaran demasiado apretados o no lo suficiente. Esto podría además causar lesiones.

AVISO: Para instalar las cuchillas del cepillo, limpie todas las astillas y materias extrañas adheridas al tambor o a las cuchillas del cepillo. Utilice cuchillas del cepillo de las mismas dimensiones y peso; de lo contrario, la oscilación/vibración del tambor causará una acción deficiente de cepillado y se producirá una avería de la herramienta.

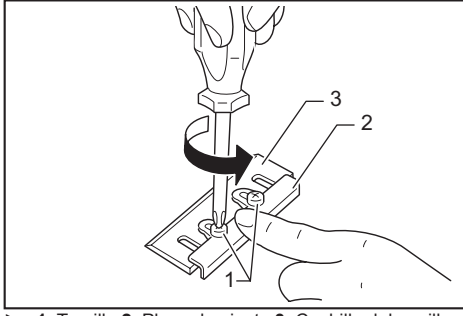
Para herramientas con cuchillas de cepillo convencionales

1. Para extraer las cuchillas del cepillo convencionales de la herramienta, desatornille los pernos de instalación con la llave de bujías. La placa del tambor y la cuchilla del cepillo convencional con placa de ajuste se sueltan.



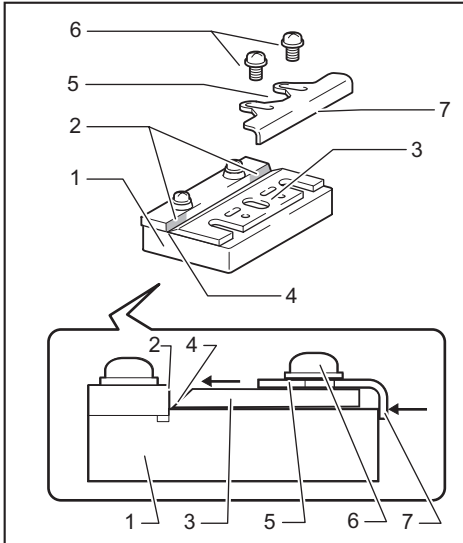
- 1. Llave de bujías 2. Perno de instalación 3. Placa del tambor 4. Cuchilla convencional (con placa de ajuste)

- Desatornille y retire la placa de ajuste.



- 1. Tornillo 2. Placa de ajuste 3. Cuchilla del cepillo convencional

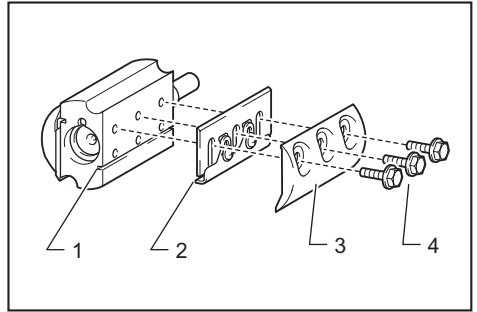
- Para instalar las cuchillas del cepillo convencionales, coloque la cuchilla del cepillo convencional en el calibrador de cuchillas, de modo que el borde de la cuchilla quede perfectamente al ras con el borde interior del calibrador de cuchillas.
- Coloque la placa de ajuste en la cuchilla del cepillo convencional, luego presione el talón de la placa de ajuste al ras con el lado posterior del calibrador de cuchillas.
- Apriete los dos tornillos en la placa de ajuste mientras presiona simultáneamente la placa de ajuste.



- 1. Calibrador de cuchillas 2. Borde interno del calibrador de cuchillas 3. Cuchilla del cepillo convencional 4. Borde de la cuchilla (de la cuchilla del cepillo convencional) 5. Placa de ajuste 6. Tornillo 7. Pie

- Limpie todas las astillas y materias extrañas adheridas al tambor y a la cuchilla del cepillo convencional.

- Deslice el talón de la placa de ajuste hacia la ranura del tambor, y luego ajuste la placa del tambor sobre ella.

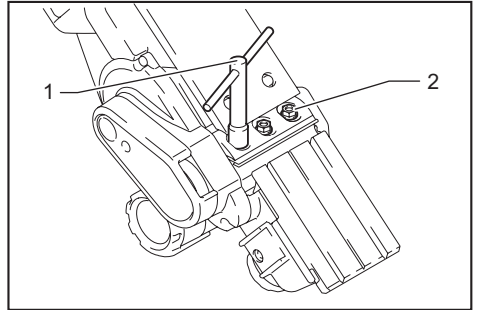


- 1. Ranura del tambor 2. Talón 3. Placa del tambor 4. Perno de instalación

- Apriete todos los pernos de instalación de manera uniforme y alternada con la llave de bujías.
- Repita los procedimientos anteriores para la otra cuchilla del cepillo convencional.

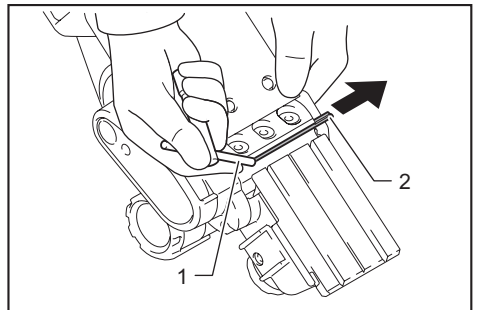
Para herramienta con minicuchillas del cepillo

- Para extraer las minicuchillas del cepillo de la herramienta, afloje los pernos de instalación una vuelta con la llave de bujías.



- 1. Llave de bujías 2. Perno de instalación

- Deslice y retire la minicuchilla del cepillo del lado de la correa de la herramienta. El utilizar el mango de la llave de bujías facilita la tarea y es más seguro.

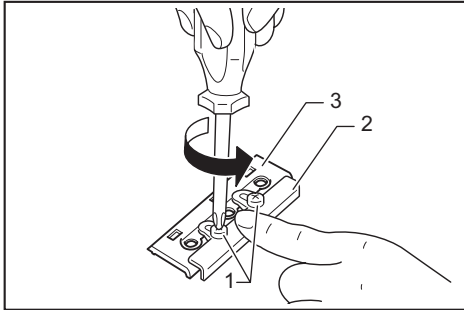


- 1. Mango de la llave de bujías 2. Minicuchilla del cepillo

3. Para instalar las minicuchillas del cepillo, limpie todas las astillas y materias extrañas adheridas al tambor y a la minicuchilla del cepillo.
4. Deslice la minicuchilla del cepillo del lado opuesto de la correa de la herramienta.
5. Apriete todos los pernos de instalación de manera uniforme y alternada con la llave de bujías.
6. Repita los procedimientos anteriores para la otra minicuchilla del cepillo.

Para calibrar la relación entre la placa de fijación y la placa de ajuste, realice el procedimiento a continuación.

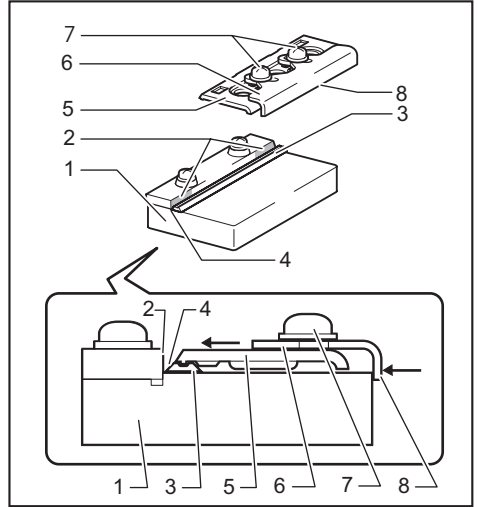
1. Afloje los pernos de instalación una vuelta con la llave de bujías, retire primero las minicuchillas del cepillo de la herramienta y luego retire los pernos de instalación.
La placa del tambor y la placa de fijación con la placa de ajuste se sueltan.
2. Afloje los tornillos una vuelta en la placa de ajuste.



- 1. Tornillo 2. Placa de ajuste 3. Placa de fijación

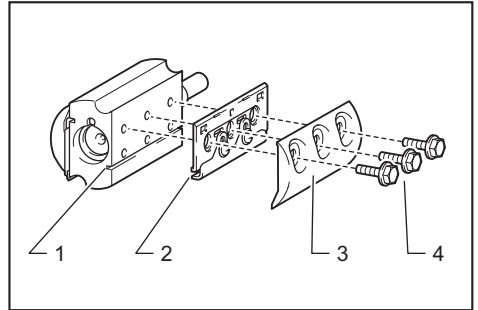
3. Limpie todas las astillas o materias extrañas adheridas a la placa de fijación con la placa de ajuste y la minicuchilla del cepillo.
4. Coloque la minicuchilla del cepillo en el calibrador de cuchillas, de modo que el borde de la cuchilla quede perfectamente al ras con el borde interior del calibrador de cuchillas.
5. Coloque la placa de fijación con la placa de ajuste, de manera que las juntas de posicionamiento de la placa de fijación se alineen con el resto de la minicuchilla del cepillo.
6. Presione el talón de la placa de ajuste al ras con el lado posterior del calibrador de cuchillas.

7. Apriete los dos tornillos en la placa de ajuste mientras presiona simultáneamente la placa de ajuste.



- 1. Calibrador de cuchillas 2. Borde interno del calibrador de cuchillas 3. Cuchilla del cepillo 4. Borde de la cuchilla (de la minicuchilla del cepillo) 5. Placa de fijación 6. Placa de ajuste 7. Tornillo 8. Pie

8. Deslice el talón de la placa de ajuste hacia la ranura del tambor.



- 1. Ranura del tambor 2. Talón 3. Placa del tambor 4. Perno de instalación

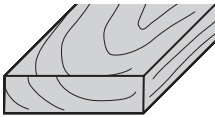
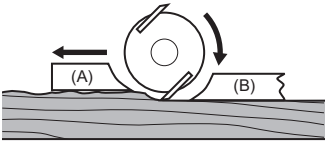
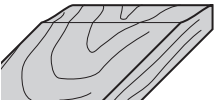
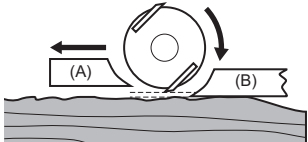
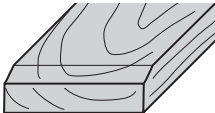
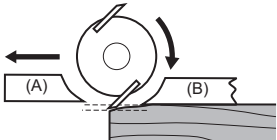
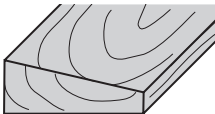
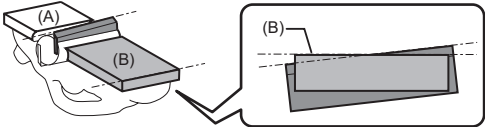
9. Atornille todos los pernos de instalación con la llave de bujías.
Posteriormente instale la minicuchilla del cepillo.

Colocación correcta de la cuchilla del cepillo

Su superficie de cepillado quedará áspera y dispareja, a menos que la cuchilla sea colocada correctamente asegurada.

La cuchilla deberá ser instalada de modo que el borde de corte esté perfectamente nivelado, esto es, paralelo a la superficie de la base trasera.

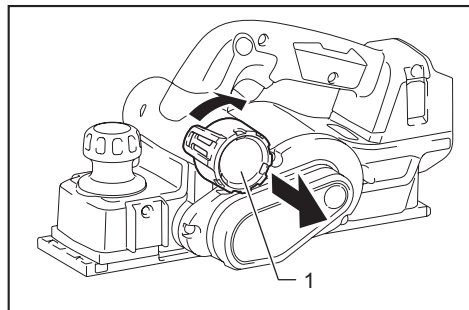
Consulte algunos de los ejemplos a continuación para los ajustes correctos e incorrectos.

| Superficie de cepillado | Ajuste de la cuchilla | Causa |
|--|---|--|
| Ajuste correcto  |  | Aunque esta vista lateral no puede mostrarlo, el borde de las cuchillas corre perfectamente paralelo a la superficie de la base trasera. |
| Melladura al principio  |  | Ambos bordes de la cuchilla no sobresalen lo suficiente en relación con la línea de la base trasera. |
| Melladura al final  |  | Uno o ambos bordes de la cuchilla sobresalen demasiado en relación con la línea de la base trasera. |
| Una pendiente en la superficie  |  | Una o ambas cuchillas no tienen el borde paralelo a la línea de la base trasera. |

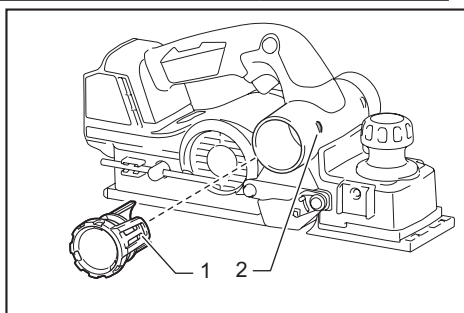
(A): Base delantera (zapata móvil)
(B): Base trasera (zapata estacionaria)

Cambio de la dirección de eliminación de virutas

La dirección de cambio de virutas puede cambiarse ya sea hacia la derecha o izquierda. Para cambiar la dirección, jale el tope hacia afuera mientras gira levemente hacia atrás y encaje en éste una o dos aperturas en el lado opuesto de la eliminación de virutas de tal forma que la parte con la cavidad encaje en la protuberancia.



► 1. Tapón

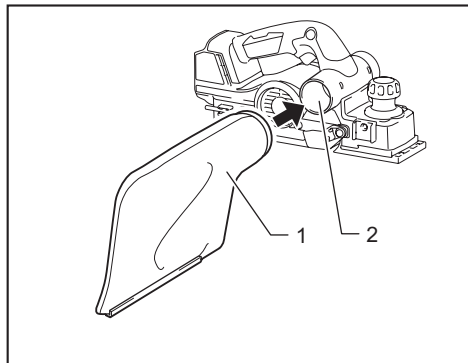


► 1. Parte rebajada 2. Protuberancia

Bolsa recolectora de polvo

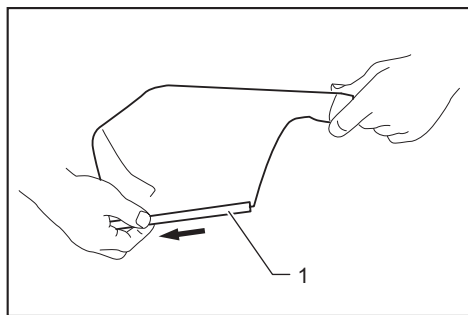
Accesorio opcional

Adjunte la bolsa recolectora de polvo en la apertura de descarga de virutas. La apertura de eliminación de virutas se estrecha. Al adjuntar la bolsa recolectora de polvo, empújela firmemente sobre la apertura de descarga de virutas tanto como sea posible para prevenir que se salga durante la operación.



► 1. Bolsa para polvo 2. Apertura de eliminación de virutas

Cuando la bolsa recolectora de polvo se haya llenado casi a la mitad, retírela de la herramienta y abra el cierre. Vacíe la bolsa recolectora de polvo. Golpee ligeramente la bolsa recolectora de polvo a fin de remover las partículas adheridas en el interior que pudieran dificultar la recolección más adelante.

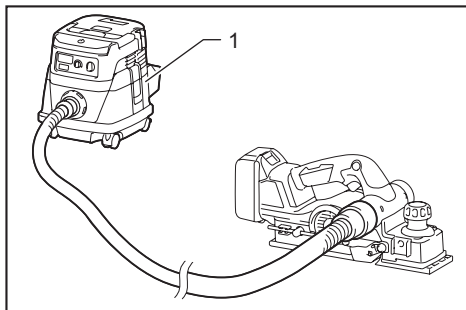


► 1. Sujetador

NOTA: Si conecta un aspirador Makita a esta herramienta, podrá realizar operaciones más eficaces y limpias.

Conexión de un aspirador

Cuando desee realizar una operación de cepillado con limpieza, conecte un aspirador de Makita a la herramienta. Conecte la manguera de la aspiradora a la abertura de descarga para astillas, tal como se muestra en la figura.

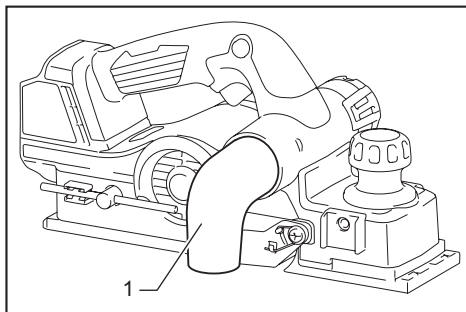


► 1. Aspirador

Codo

Accesorio opcional

El uso del codo permite el cambio de la dirección de eliminación de virutas para realizar un trabajo más limpio. Inserte el codo en la abertura de descarga para astillas. Para extraerla, sólo júlela.



► 1. Codo

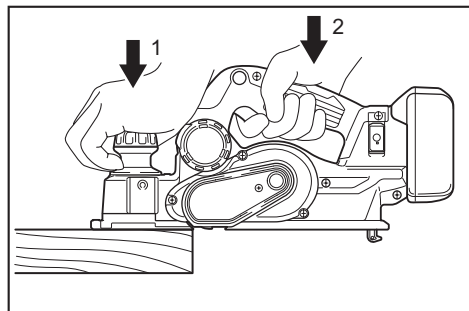
OPERACIÓN

Sujete la herramienta firmemente con una mano en la perilla y con la otra mano en la agarradera del interruptor al estar operando la herramienta.

Cepillado

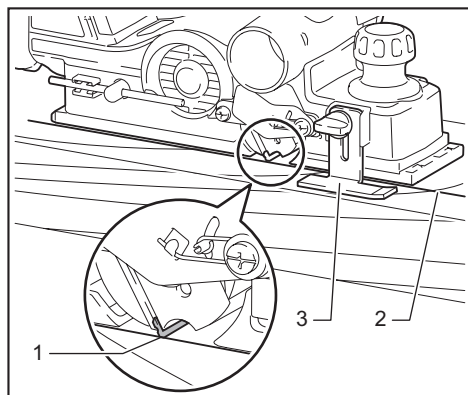
Primero, coloque la base delantera de la herramienta de manera plana sobre la superficie de la pieza de trabajo sin que las cuchillas hagan contacto alguno. Encienda la herramienta y espere hasta que las cuchillas alcancen plena velocidad. Luego mueva suavemente la herramienta hacia adelante. Aplique presión sobre la parte frontal de la herramienta al comienzo del cepillado, y luego en la parte trasera al final del cepillado. El cepillado será más fácil si inclina la pieza de trabajo de manera estacionaria, de

modo que pueda cepillar a manera de cuesta abajo. La velocidad y la profundidad de corte determinan el tipo de acabado. La herramienta sigue cortando a una velocidad que no provocará atascos con las astillas. Para cortes ásperos, se puede aumentar la profundidad de corte, mientras que para un buen acabado debe reducir la profundidad de corte y hacer avanzar la herramienta más lentamente.



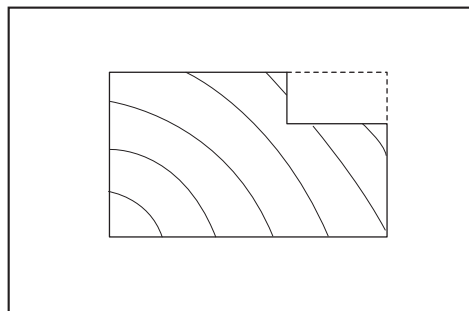
► 1. Inicio 2. Fin

Al cepillar, mueva la herramienta con la guía lateral alineada con la parte lateral de la pieza de trabajo. De lo contrario, obtendrá un cepillado disparejo.



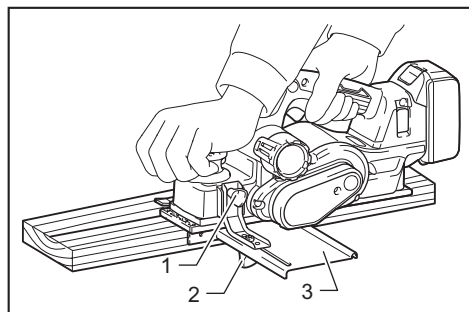
► 1. Filo de cuchilla de corte 2. Línea de corte 3. Guía de profundidad

Rebaje a media madera (rebajo)



Para hacer un corte escalonado tal como se muestra en la figura, use la guía lateral (regla guía).

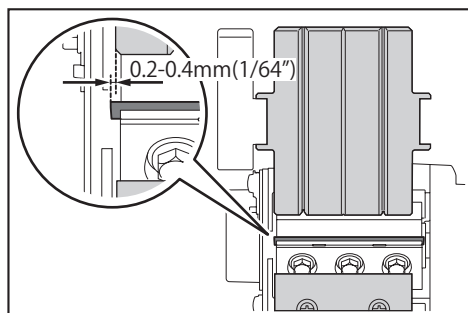
Instale la guía lateral en la herramienta. Asegúrela con la arandela y el tornillo de mariposa (A). Afloje el tornillo de mariposa (B) y ajuste la guía lateral hasta que entre en contacto con la parte lateral de la pieza de trabajo. Luego apriete el tornillo de mariposa (B) firmemente.



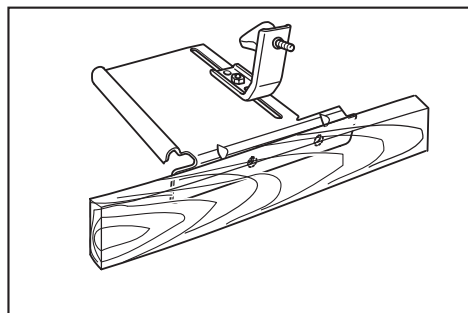
► 1. Tornillo (A) 2. Tornillo (B) 3. Tope del borde

Trace una línea de corte sobre la pieza de trabajo. Alinee el borde de la cuchilla con la línea de corte. Ajuste la profundidad de rebajeo con una guía de profundidad.

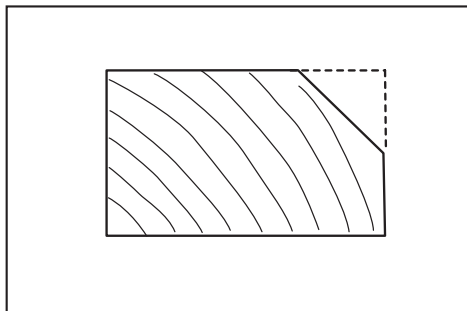
AVISO: El borde de la cuchilla debe sobresalir ligeramente del exterior (0,2 mm - 0,4 mm (1/64")) para el rebajeo.



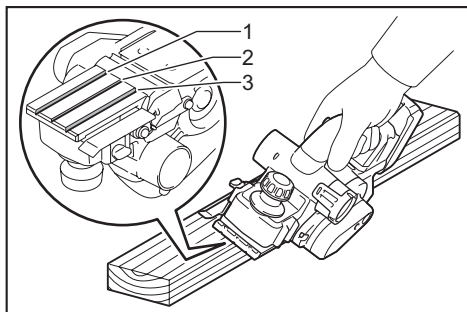
Puede extender la longitud de la guía agregando una pieza extra de madera. La guía está provista de convenientes orificios para tal propósito.



Achaflanado



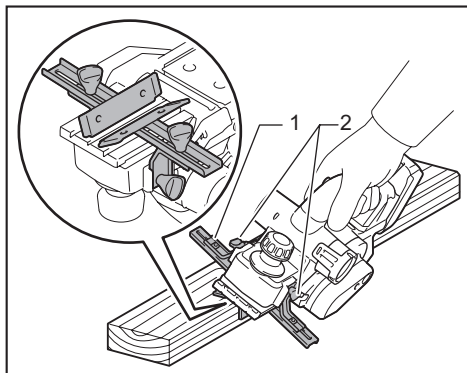
Para realizar un corte de achaflanado como se muestra en la figura, alinee una de las tres ranuras "V" en frente de la herramienta con el borde de la pieza de trabajo y cepíllela.



- ▶ 1. Ranura V (cantidad media de achaflanado)
- ▶ 2. Ranura V (cantidad baja de achaflanado)
- ▶ 3. Ranura V (cantidad alta de achaflanado)

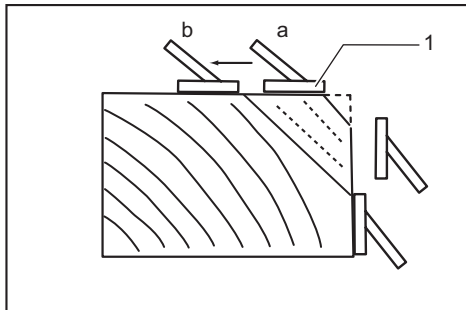
El uso de la regla para biselado (accesorio opcional) garantiza una mayor estabilidad de la herramienta al hacer biselados.

Para instalar la regla para biselado, retire dos tornillos en ambos lados de la parte delantera de la herramienta. Posteriormente, instale la regla para biselado en la base delantera de la herramienta y asegúrela con los tornillos, como se muestra en la ilustración.



- ▶ 1. Regla de achaflanado 2. Tornillo

Al estar realizando una gran cantidad de achaflanado, coloque el borde de la regla de achaflanado de tal forma que haga contacto con la pieza de trabajo y realice muchas pasadas de cepillado como se muestra en la figura.

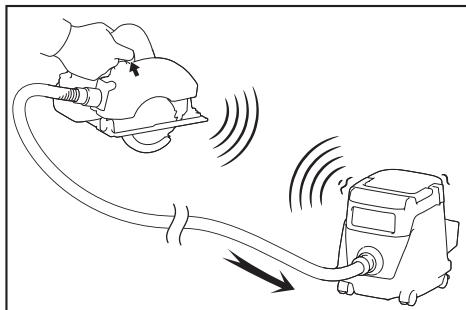


- ▶ 1. Borde de la regla de achaflanado

FUNCIÓN DE ACTIVACIÓN INALÁMBRICA

Lo que puede hacer con la función de activación inalámbrica

La función de activación inalámbrica permite una operación limpia y cómoda. Si conecta a la herramienta una aspiradora compatible, podrá hacer que ésta funcione automáticamente al activar el interruptor de la herramienta.



Para hacer uso de la función de activación inalámbrica, tenga preparado lo siguiente:

- Una unidad inalámbrica (accesorios opcionales)
- Una aspiradora compatible con la función de activación inalámbrica

A continuación se presenta la descripción general del ajuste de la función de activación inalámbrica. Consulte cada sección para ver los procedimientos a detalle.

1. Instalación de la unidad inalámbrica
2. Registro de la herramienta para la aspiradora
3. Inicio de la función de activación inalámbrica

Instalación de la unidad inalámbrica

Accesorio opcional

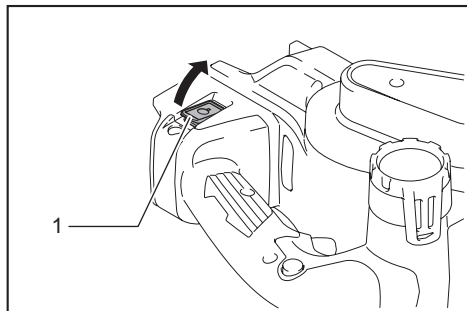
⚠PRECAUCIÓN: Coloque la herramienta sobre una superficie plana y estable cuando vaya a instalar la unidad inalámbrica.

AVISO: Limpie el polvo y la suciedad en la herramienta antes de instalar la unidad inalámbrica. El polvo o la suciedad podrían causar una avería si llegan a introducirse en la ranura de la unidad inalámbrica.

AVISO: Para evitar una avería a causa de la electricidad estática, toque un material de descarga de electricidad estática, tal como una pieza metálica de la herramienta antes de levantar la unidad inalámbrica.

AVISO: Cuando vaya a instalar la unidad inalámbrica, asegúrese siempre de que ésta sea insertada en la dirección correcta y que la tapa esté completamente cerrada.

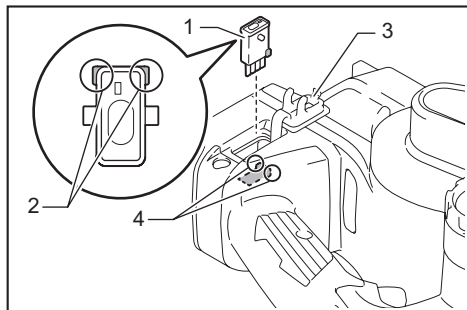
1. Abra la tapa en la herramienta tal como se muestra en la ilustración.



- 1. Tapa

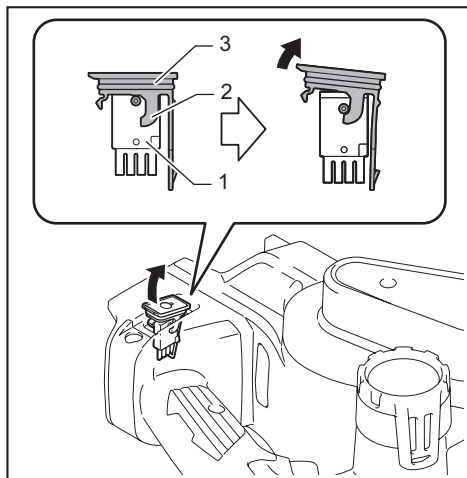
2. Inserte la unidad inalámbrica en la ranura y luego cierre la tapa.

Cuando inserte la unidad inalámbrica, alinee las partes salientes con las partes cóncavas en la ranura.



- 1. Unidad inalámbrica 2. Parte saliente 3. Tapa
4. Parte cóncava

Cuando extraiga la unidad inalámbrica, abra la tapa lentamente. Los ganchos en la parte posterior de la tapa levantarán la unidad inalámbrica mientras usted jala hacia arriba la tapa.



- 1. Unidad inalámbrica 2. Gancho 3. Tapa

Una vez extraída la unidad inalámbrica, guárdela en el estuche suministrado o en un contenedor libre de electricidad estática.

AVISO: Use siempre los ganchos en la parte posterior de la tapa cuando extraiga la unidad inalámbrica. Si los ganchos no sujetan la unidad inalámbrica, cierre la tapa por completo y vuelva a abrirla lentamente.

Registro de la herramienta para la aspiradora

NOTA: Para el registro de la herramienta, se requiere una aspiradora Makita compatible con la función de activación inalámbrica.

NOTA: Termine de instalar la unidad inalámbrica en la herramienta antes de comenzar con el registro de la herramienta.

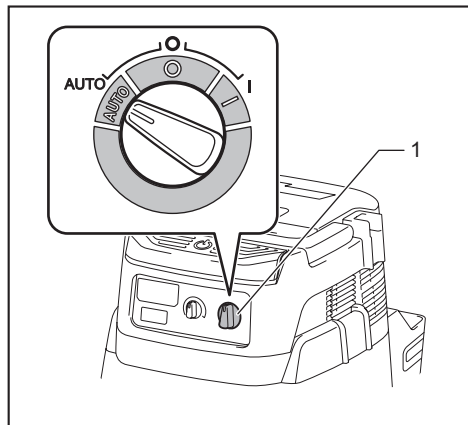
NOTA: Durante el registro de la herramienta, no jale el gatillo interruptor ni active el interruptor de encendido en la aspiradora.

NOTA: Consulte también el manual de instrucciones de la aspiradora.

Si desea activar la aspiradora junto con el interruptor de la herramienta, termine antes con el registro de la herramienta.

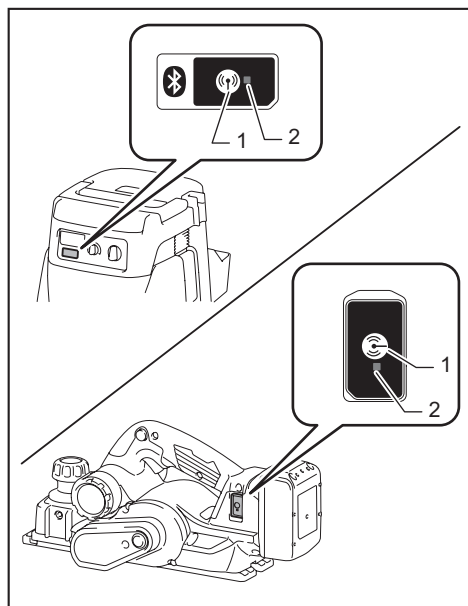
1. Instale las baterías en la aspiradora y en la herramienta.

- Ajuste el interruptor de modo en espera en la aspiradora en "AUTO".



- Interruptor de modo en espera

- Oprima el botón de activación inalámbrica en la aspiradora durante 3 segundos hasta que la luz indicadora de activación inalámbrica parpadee en verde. Y luego oprima el botón de activación inalámbrica en la herramienta de la misma manera.



- Botón de activación inalámbrica
- Luz indicadora de activación inalámbrica

Si la aspiradora y la herramienta han sido conectadas exitosamente, las luces indicadoras de activación inalámbrica se encenderán en verde durante 2 segundos y comenzarán a parpadear en azul.

NOTA: Las luces indicadoras de activación inalámbrica terminarán parpadeando en verde después de un lapso de 20 segundos. Oprima el botón de activación inalámbrica en la herramienta mientras la luz indicadora de activación inalámbrica en la aspiradora esté parpadeando. Si la luz indicadora de activación inalámbrica no parpadea en verde, oprima el botón de activación inalámbrica durante un lapso breve y vuelva a mantenerlo oprimido.

NOTA: Cuando realice dos o más registros de la herramienta para una aspiradora, termine el registro de la herramienta de uno en uno.

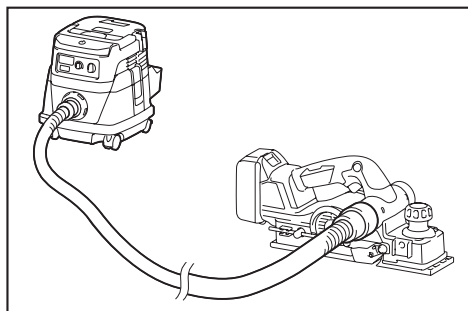
Inicio de la función de activación inalámbrica

NOTA: Termine con el registro de la herramienta para la aspiradora antes de la activación inalámbrica.

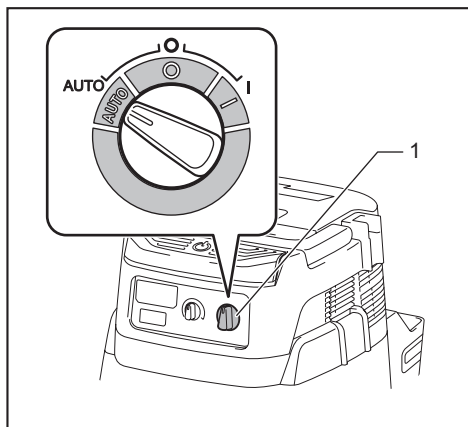
NOTA: Consulte también el manual de instrucciones de la aspiradora.

Después de registrar una herramienta en la aspiradora, esta última se activará automáticamente junto con el interruptor de la herramienta.

- Instale la unidad inalámbrica en la herramienta.
- Conecte la manguera de la aspiradora a la herramienta.

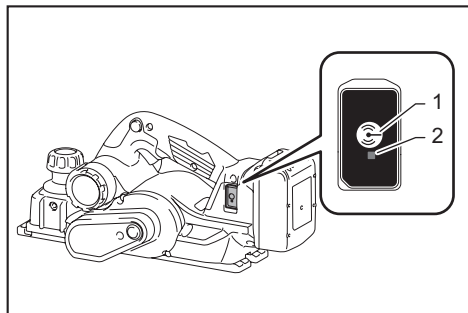


- Ajuste el interruptor de modo en espera en la aspiradora en "AUTO".



- Interruptor de modo en espera

4. Oprima el botón de activación inalámbrica en la herramienta durante un lapso breve. La luz indicadora de activación inalámbrica parpadeará en azul.



► 1. Botón de activación inalámbrica 2. Luz indicadora de activación inalámbrica

5. Jale el gatillo interruptor de la herramienta. Verifique que la aspiradora funcione mientras jala el gatillo interruptor.

Para detener la activación inalámbrica de la aspiradora, oprima el botón de activación inalámbrica en la herramienta.

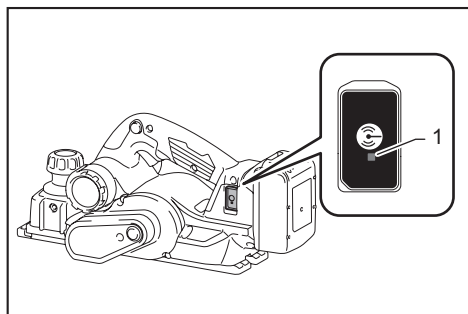
NOTA: La luz indicadora de activación inalámbrica en la herramienta dejará de parpadear en azul cuando no haya operación durante 2 horas. En este caso, ajuste el interruptor de modo en espera en la aspiradora en "AUTO" y oprima el botón de activación inalámbrica en la herramienta nuevamente.

NOTA: La aspiradora funcionará/detendrá con un retraso. Existirá un desfase cuando la aspiradora detecte la activación del interruptor de la herramienta.

NOTA: La distancia de transmisión de la unidad inalámbrica podrá variar en función del lugar y las circunstancias de los alrededores.

NOTA: Cuando dos o más herramientas estén registradas en una aspiradora, esta última podrá comenzar a funcionar incluso si usted no jala el gatillo interruptor debido a que otro usuario está utilizando la función de activación inalámbrica.

Descripción del estado de la luz indicadora de activación inalámbrica



► 1. Luz indicadora de activación inalámbrica

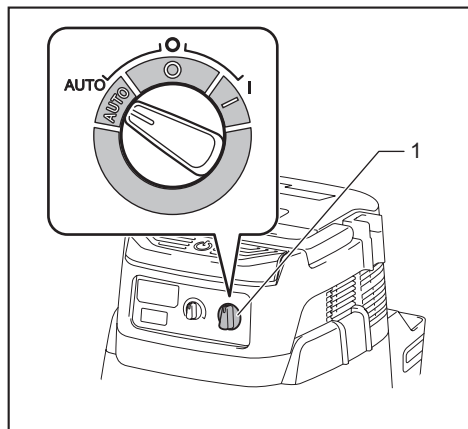
La luz indicadora de activación inalámbrica muestra el estado de la función de activación inalámbrica. Consulte la tabla a continuación para ver qué significa el estado de la luz indicadora.

| Estado | Luz indicadora de activación inalámbrica | | | Duración | Descripción |
|--|--|-------------|---------------|---|---|
| | Color | ■ Encendida | ▣ Parpadeando | | |
| En espera | Azul | | ▣ | 2 horas | La activación inalámbrica de la aspiradora está disponible. La luz se apagará automáticamente cuando no se realice ninguna operación durante 2 horas. |
| | | ■ | | Cuando la herramienta está funcionando. | La activación inalámbrica de la aspiradora está disponible y la herramienta está funcionando. |
| Registro de la herramienta | Verde | | ▣ | 20 segundos | Ya se puede realizar el registro de la herramienta. Esperando el registro por parte de la aspiradora. |
| | | ■ | | 2 segundos | El registro de la herramienta ha terminado. La luz indicadora de activación inalámbrica comenzará a parpadear en azul. |
| Cancelación del registro de la herramienta | Rojo | | ▣ | 20 segundos | Ya se puede cancelar el registro de la herramienta. Esperando la cancelación por parte de la aspiradora. |
| | | ■ | | 2 segundos | La cancelación del registro de la herramienta ha terminado. La luz indicadora de activación inalámbrica comenzará a parpadear en azul. |
| Otros | Rojo | ■ | | 3 segundos | La energía es suministrada a la unidad inalámbrica y la función de activación inalámbrica está arrancando. |
| | Apagada | - | | - | La activación inalámbrica de la aspiradora se ha detenido. |

Cancelación del registro de la herramienta para la aspiradora

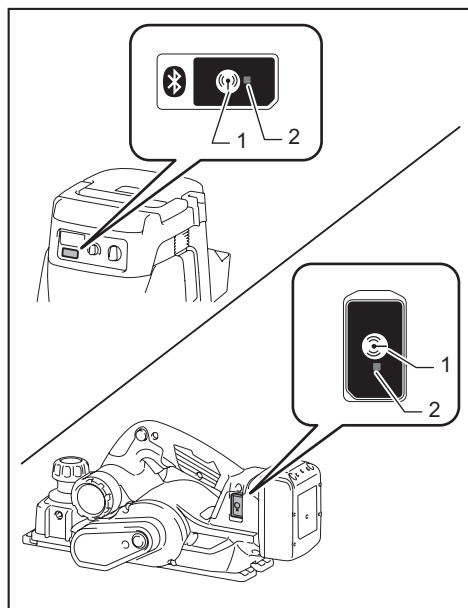
Realice el siguiente procedimiento para cancelar el registro de la herramienta para la aspiradora.

1. Instale las baterías en la aspiradora y en la herramienta.
2. Ajuste el interruptor de modo en espera en la aspiradora en "AUTO".



- 1. Interruptor de modo en espera

3. Oprima el botón de activación inalámbrica en la aspiradora durante 6 segundos. La luz indicadora de activación inalámbrica parpadeará en verde y luego se pondrá en rojo. Después de eso, oprima el botón de activación inalámbrica en la herramienta de la misma manera.



- 1. Botón de activación inalámbrica 2. Luz indicadora de activación inalámbrica

Si la cancelación se realiza exitosamente, las luces indicadoras de activación inalámbrica se encenderán en rojo durante 2 segundos y comenzarán a parpadear en azul.

NOTA: Las luces indicadoras de activación inalámbrica terminarán parpadearo en rojo después de un lapso de 20 segundos. Oprima el botón de activación inalámbrica en la herramienta mientras la luz indicadora de activación inalámbrica en la aspiradora esté parpadearo. Si la luz indicadora de activación inalámbrica no parpadea en rojo, oprima el botón de activación inalámbrica durante un lapso breve y vuelva a mantenerlo oprimido.

DetECCIÓN Y SOLUCIÓN DE PROBLEMAS PARA LA FUNCIÓN DE ACTIVACIÓN INALÁMBRICA

Antes de solicitar alguna reparación, primero realice una inspección por su cuenta. Si detecta algún problema que no esté explicado en el manual, no intente desensamblar la herramienta. En vez de esto, solicite la reparación a un centro de servicio autorizado de Makita, usando siempre piezas de repuesto Makita.

| Estado de la anomalía | Causa probable (avería) | Remedio |
|--|---|--|
| La luz indicadora de activación inalámbrica no enciende/parpadea. | La unidad inalámbrica no está instalada en la herramienta. La unidad inalámbrica está instalada incorrectamente en la herramienta. | Instale la unidad inalámbrica correctamente. |
| | La terminal de la unidad inalámbrica y/o la ranura está sucia. | Retire con cuidado el polvo y la suciedad en la terminal de la unidad inalámbrica y limpie la ranura. |
| | El botón de activación inalámbrica en la herramienta no se ha oprimido. | Oprima el botón de activación inalámbrica en la herramienta durante un lapso breve. |
| | El interruptor de modo en espera en la aspiradora no está ajustado en "AUTO". | Ajuste el interruptor de modo en espera en la aspiradora en "AUTO". |
| | No hay suministro de energía. | Suministre energía a la herramienta y a la aspiradora. |
| No se puede terminar/cancelar el registro de la herramienta exitosamente. | La unidad inalámbrica no está instalada en la herramienta. La unidad inalámbrica está instalada incorrectamente en la herramienta. | Instale la unidad inalámbrica correctamente. |
| | La terminal de la unidad inalámbrica y/o la ranura está sucia. | Retire con cuidado el polvo y la suciedad en la terminal de la unidad inalámbrica y limpie la ranura. |
| | El interruptor de modo en espera en la aspiradora no está ajustado en "AUTO". | Ajuste el interruptor de modo en espera en la aspiradora en "AUTO". |
| | No hay suministro de energía. | Suministre energía a la herramienta y a la aspiradora. |
| | Operación incorrecta | Oprima el botón de activación inalámbrica durante un lapso breve y realice los procedimientos de registro/cancelación de la herramienta nuevamente. |
| | La herramienta y la aspiradora están lejos una de la otra (fuera del rango de transmisión). | Acerque más la herramienta a la aspiradora. La distancia máxima de transmisión es de aproximadamente 10 m, pero puede variar en función de las circunstancias. |
| | Antes de terminar el registro/cancelación de la herramienta; - el gatillo interruptor en la herramienta se ha jalado; o - el botón de encendido en la aspiradora está activado. | Oprima el botón de activación inalámbrica durante un lapso breve y realice los procedimientos de registro/cancelación de la herramienta nuevamente. |
| | Los procedimientos de registro para la herramienta o aspiradora no se han terminado. | Realice los procedimientos de registro tanto para la herramienta como para la aspiradora al mismo tiempo. |
| La perturbación radioeléctrica generada por otros aparatos que emiten ondas de radio de alta intensidad. | Mantenga la herramienta y la aspiradora lejos de aparatos tales como dispositivos Wi-Fi y hornos de microondas. | |

| Estado de la anomalía | Causa probable (avería) | Remedio |
|--|---|---|
| La aspiradora no funciona junto con el interruptor de la herramienta. | La unidad inalámbrica no está instalada en la herramienta. La unidad inalámbrica está instalada incorrectamente en la herramienta. | Instale la unidad inalámbrica correctamente. |
| | La terminal de la unidad inalámbrica y/o la ranura está sucia. | Retire con cuidado el polvo y la suciedad en la terminal de la unidad inalámbrica y limpie la ranura. |
| | El botón de activación inalámbrica en la herramienta no se ha oprimido. | Oprima el botón de activación inalámbrica durante un lapso breve y asegúrese de que la luz indicadora de activación inalámbrica esté parpadeando en azul. |
| | El interruptor de modo en espera en la aspiradora no está ajustado en "AUTO". | Ajuste el interruptor de modo en espera en la aspiradora en "AUTO". |
| | Más de 10 herramientas están registradas en la aspiradora. | Vuelva a realizar el registro de la herramienta. Si más de 10 herramientas están registradas en la aspiradora, la herramienta registrada al principio se cancelará automáticamente. |
| | La aspiradora borró todos los registros de la herramienta. | Vuelva a realizar el registro de la herramienta. |
| | No hay suministro de energía. | Suministre energía a la herramienta y a la aspiradora. |
| | La herramienta y la aspiradora están lejos una de la otra (fuera del rango de transmisión). | Acerque más la herramienta a la aspiradora. La distancia máxima de transmisión es de aproximadamente 10 m, pero puede variar en función de las circunstancias. |
| La perturbación radioeléctrica generada por otros aparatos que emiten ondas de radio de alta intensidad. | Mantenga la herramienta y la aspiradora lejos de aparatos tales como dispositivos Wi-Fi y hornos de microondas. | |
| La aspiradora funciona aun cuando el gatillo interruptor de la herramienta no ha sido jalado. | Otros usuarios están usando la activación inalámbrica de la aspiradora con sus herramientas. | Apague el botón de activación inalámbrica de las demás herramientas o cancele el registro de dichas herramientas. |

MANTENIMIENTO

⚠ PRECAUCIÓN: Asegúrese siempre de que la herramienta esté apagada y el cartucho de batería extraído antes de intentar realizar una inspección o mantenimiento.

AVISO: Nunca use gasolina, bencina, diluyente (tíner), alcohol o sustancias similares. Puede que esto ocasione grietas o descoloramiento.

Para mantener la SEGURIDAD y FIABILIDAD del producto, las reparaciones, y cualquier otra tarea de mantenimiento o ajuste deberán ser realizadas en centros de servicio autorizados o de fábrica Makita, empleando siempre repuestos Makita.

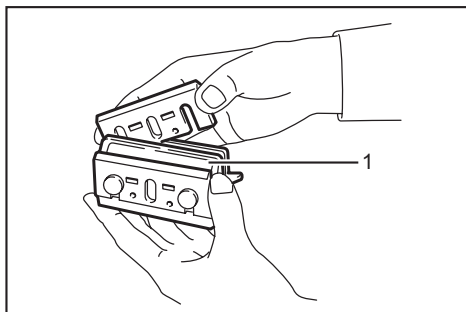
Limpeza de la abertura de descarga para astillas

Limpe la abertura de descarga para astillas con regularidad.
Utilice aire comprimido para limpiar la abertura de descarga para astillas en caso de estar tapada.

Afilado de las cuchillas

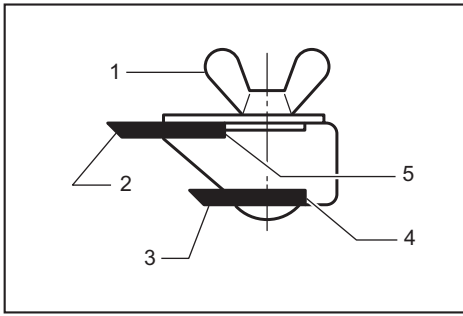
Sólo para cuchillas de cepillo convencionales

Siempre mantenga afiladas las cuchillas para lograr el mejor desempeño posible. Utilice el soporte para afilado para eliminar muescas y obtener un borde liso.



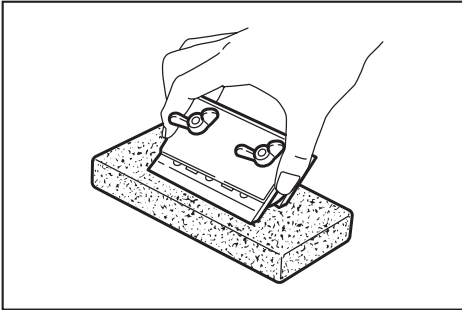
► 1. Soporte para afilado

Primero, afloje las dos tuercas de mariposa en el soporte e inserte las cuchillas (A) y (B), de manera que hagan contacto con los lados (C) y (D). Luego apriete las tuercas de mariposa.



► 1. Tuerca de mariposa 2. Cuchilla (A) 3. Cuchilla (B)
4. Lateral (D) 5. Lateral (C)

Sumerja la piedra afiladora en agua durante unos 2 ó 3 minutos antes del afilado. Sostenga el soporte de manera que ambas cuchillas toquen la piedra afiladora para realizar un afilado simultáneo al mismo ángulo.



NOTA: Algunos de los artículos en la lista pueden incluirse en el paquete de la herramienta como accesorios estándar. Éstos pueden variar de país a país.

GARANTÍA LIMITADA DE MAKITA

Ésta Garantía no aplica para México

Consulte la hoja de la garantía anexa para ver los términos más vigentes de la garantía aplicable a este producto. En caso de no disponer de esta hoja de garantía anexa, consulte los detalles sobre la garantía descritos en el sitio web de su país respectivo indicado a continuación.

Estados Unidos de América: www.makitatools.com

Canadá: www.makita.ca

Otros países: www.makita.com

ACCESORIOS OPCIONALES

⚠PRECAUCIÓN: Estos accesorios o aditamentos están recomendados para utilizarse con su herramienta Makita especificada en este manual. El empleo de cualquier otro accesorio o aditamento puede conllevar el riesgo de lesiones personales. Utilice los accesorios o aditamentos solamente para su fin establecido.

Si necesita cualquier ayuda para más detalles en relación con estos accesorios, pregunte a su centro de servicio Makita local.

- Cuchilla del cepillo en acero de alta velocidad
- Cuchilla del cepillo en carburo de tungsteno (para una mayor duración de la cuchilla)
- Minicuchilla del cepillo
- Ensamble del soporte para afilado
- Calibrador de cuchillas
- Conjunto de placa de fijación
- Guía lateral (regla guía)
- Piedra de acabado
- Ensamble de bolsa recolectora de polvo
- Codo
- Ensamble de regla para biselado
- Unidad inalámbrica
- Batería y cargador originales de Makita

< USA only >

WARNING

Some dust created by power sanding, sawing, grinding, drilling, and other construction activities contains chemicals known to the State of California to cause cancer, birth defects or other reproductive harm. Some examples of these chemicals are:

- lead from lead-based paints,
- crystalline silica from bricks and cement and other masonry products, and
- arsenic and chromium from chemically-treated lumber.

Your risk from these exposures varies, depending on how often you do this type of work. To reduce your exposure to these chemicals: work in a well ventilated area, and work with approved safety equipment, such as those dust masks that are specially designed to filter out microscopic particles.

< Sólo en los Estados Unidos >

ADVERTENCIA

Algunos polvos creados por el lijado, aserrado, esmerilado, taladrado y otras actividades de la construcción contienen sustancias químicas reconocidas por el Estado de California como causantes de cáncer, defectos de nacimiento y otros peligros de reproducción. Algunos ejemplos de estos productos químicos son:

- plomo de pinturas a base de plomo,
- sílice cristalino de ladrillos y cemento y otros productos de albañilería, y
- arsénico y cromo de maderas tratadas químicamente.

El riesgo al que se expone varía, dependiendo de la frecuencia con la que realice este tipo de trabajo. Para reducir la exposición a estos productos químicos: trabaje en un área bien ventilada y póngase el equipo de seguridad indicado, tal como las máscaras contra polvo que están especialmente diseñadas para filtrar partículas microscópicas.

Makita Corporation

3-11-8, Sumiyoshi-cho,
Anjo, Aichi 446-8502 Japan

www.makita.com

885743-938
DKP181-1
EN, FRCA, ESMX
20190808