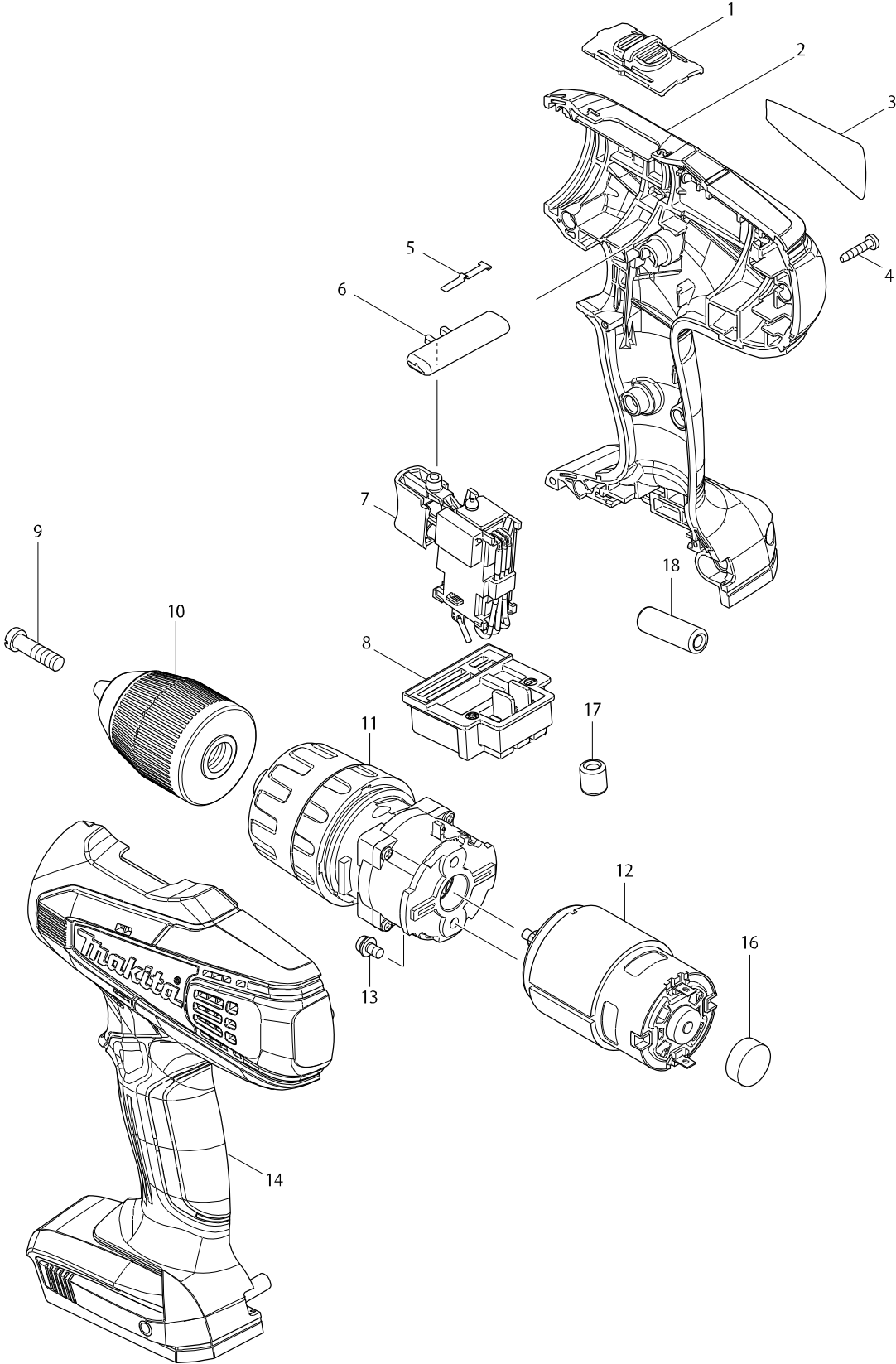




Pieza	Código	Descripción	Info	CTD.	N/O	Opc. 1	Opc. 2	OBS.
001	187420-6	HOUSING SET		1				
C10	252126-6	HEX. LOCKING NUT M4-7		2				
D10		INC. 32						
002	266429-2	TORNILLO DE LA TAPA 3X16 P/TD010		8				
003	897584-5	DT02 NAME PLATE		1				
005	453055-8	F/R CHANGE LEVER		1				
006	632A33-9	SWITCH UNIT		1	*			
006-1	632J80-4	SWITCH UNIT	<	1				
007	643862-9	TERMINAL P/PH02		1				
008	231951-8	EMPAQUE 11 P/6951		1				
009	267085-1	ARANDELA 12 P/6951		1				
010	233005-7	RESORTE DE COMPRESION 13 P/695		1				
011	324420-7	MANGO P/6916FD, 6951 ANTES 3224		1				
012	266374-1	TORNILLO 4X25 P/HR2470		4				
013	141585-8	HAMMER CASE COMPLETE		1				
014	261151-6	RONDANA DE NYLON P/LXDT04		1				
015	216001-0	BOLA DE ACERO 3.5 P/HP1500,6800DI		2	*			
015-1	216040-0	STEEL BALL 3.5	O	2				
016	326188-1	ANVIL M		1				
017	326110-8	HAMMER		1				
018	216001-0	BOLA DE ACERO 3.5 P/HP1500,6800DI		24	*			
018-1	216040-0	STEEL BALL 3.5	O	24				
019	267175-0	ARANDELA PLANA P/6914D		1				
020	233430-2	RESORTE DE COMPRESION P/BTD13		1				
021	267766-7	ARANDELA CONICA 14 P/6916FD		1				
022	216011-7	BOLILLA DE ACERO P/2012NB		2	*			
022-1	216041-8	STEEL BALL 5.6	O	2				
023	226336-1	ENGRANE 22 P/6503DW		2	*			
023-1	227362-3	SPUR GEAR 22	<	2				
024	326109-3	SPINDLE		1				
025	256253-1	PERNO 5 P/6914DW		2				
026	267212-0	ARANDELA PLANA 12 P/6916FD		1				
027	227279-0	INTERNAL GEAR 51		1				
028	210107-6	BALERO 6001ZZ P/5477NB		1				
029	453056-6	INTERNAL GEAR CASE		1				
030	629969-5	DC MOTOR		1				
032	187420-6	HOUSING SET		1				
C10	252126-6	HEX. LOCKING NUT M4-7		2				
D10		INC. 1						
A01B	452652-7	BATTERY COVER		1				
A02B	***DC18WA	DC18WA BATTERY CHARGER		1	*			
A02-1B	***DC18WA	DC18WA BATTERY CHARGER	O	1				
A03B	195453-7	BATTERY BL1811G SET		2	*			
A03-1B	196365-7	BATTERY BL1813G SET	O	2	*			
A03-2B	196365-7	BATTERY BL1813G SET	O	2	*			
A03-3B	198187-1	BATTERY BL1815G SET	<	2				
A05B	800F38-9	DT02 PLASTIC CASE LABEL		2				
A06B	824981-2	PLASTIC CARRYING CASE		1				



Modelo PH02 ROTOMARTILLO ATORNILLADOR INALAMBRICO



## Modelo PH02 ROTOMARTILLO ATORNILLADOR INALAMBRICO

Página 1 / 2

Pieza	Código	Descripción	Info	CTD.	N/O	Ventas	Compra	OBS.
001	125310-5	PALANCA DE CAMBIO DE VELOCIDAD		1		9.00		
C10	231433-0	RESORTE DE COMPRESION 4 P/62131		2		2.00		
002	187026-0	CARCAZA P/PH02		1		331.00		
D10		INC. 14						
003	869779-0	PH02 NAME PLATE		1				
004	266429-2	TORNILLO DE LA TAPA 3X16 P/TD010		9		2.00		
005	232182-2	MUELLE P/6226DW		1		5.00		
006	452399-3	PALANCA DE CAMBIO P/PH02		1		5.00		
007	638887-6	INTERRUPTOR P/PH02		1		474.00		
008	643862-9	TERMINAL P/PH02		1		61.00		
009A	251472-4	TORNILLO M6X26 P/6381D		1	*	4.00		
009-1A	251468-5	- FLAT HEAD SCREW M6X22	S	1		4.00		
009-1D	251468-5	- FLAT HEAD SCREW M6X22		1		4.00		
009-1E	251468-5	- FLAT HEAD SCREW M6X22		1		4.00		
010A	763193-1	KEYLESS DRILL CHUCK 13		1	*	362.00		
010-1A	766027-7	KEYLESS DRILL CHUCK 13	S	1		364.00		
010-1D	766027-7	KEYLESS DRILL CHUCK 13		1		364.00		
010-1E	766027-7	KEYLESS DRILL CHUCK 13		1		364.00		
011A	125485-0	ENGRANE P/8391D		1	*	730.00		
011-1A	125485-0	ENGRANE P/8391D	O	1		730.00		
011-1D	125485-0	ENGRANE P/8391D		1		730.00		
011-1E	125485-0	ENGRANE P/8391D		1		730.00		
012A	629834-8	MOTOR DC P/6390D		1	*	408.00		
012-1A	629937-8	DC MOTOR	O	1				
012-1D	629937-8	DC MOTOR		1				
012-1E	629937-8	DC MOTOR		1				
013	911108-4	TORNILLO M4X8 P/2012NB		2		2.00		
014	187026-0	CARCAZA P/PH02		1		331.00		
D10		INC. 2						
016	421940-3	TAPA P/8391D		1		2.00		
A01A	784636-0	+/- BIT 2-65		1		12.00		
A01E	196641-9	TOOL CHEST		1				
A02A	***DC18WA	DC18WA BATTERY CHARGER		1	*			
A02-1A	***DC18WA	DC18WA BATTERY CHARGER	O	1				
A02-1D	***DC18WA	DC18WA BATTERY CHARGER		1				
A02-1E	***DC18WA	DC18WA BATTERY CHARGER		1				
A03A	195453-7	BATTERY BL1811G SET		2	*	1,538.00		
A03-1A	196365-7	BATTERY BL1813G SET	O	2	*			
A03-2A	196365-7	BATTERY BL1813G SET	O	2	*			
A03-2D	196365-7	BATTERY BL1813G SET		2	*			
A03-3A	198187-1	BATTERY BL1815G SET	<	2				
A03-3D	198187-1	BATTERY BL1815G SET	<	2				
A03-3E	198187-1	BATTERY BL1815G SET		1				
A04A	452652-7	BATTERY COVER		1				
A04D	452652-7	BATTERY COVER		1				
A05A	824981-2	PLASTIC CARRYING CASE		1				
C10	162315-4	LATCH		2				
C20	452137-3	HANDLE		1				

