



MX	MEXICO
----	--------

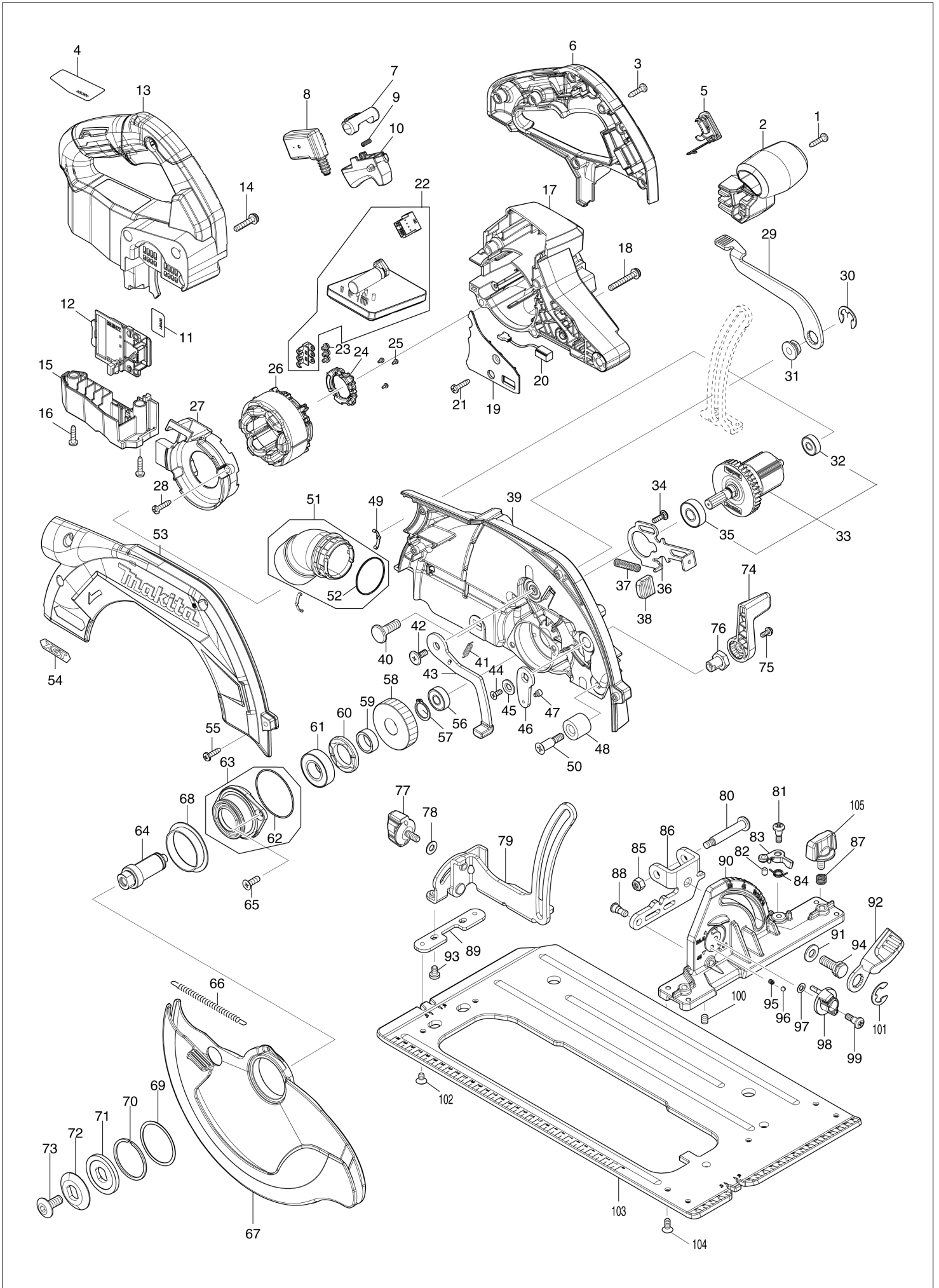
Diagram / Parts List

HS010G

235MM CORDLESS CIRCULAR SAW



(MX) HS010G / 235MM CORDLESS CIRCULAR SAW



MX

MEXICO

HS010G / 235MM CORDLESS CIRCULAR SAW

Item	Sub	Parts No.	Parts Description	Qty	I/C	E/C No.	Close No.	Remark
001		266326-2	TAPPING SCREW 4X18	1				
002		413C21-5	FRONT GRIP	1				
003		266326-2	TAPPING SCREW 4X18	6				
004		8114R3-7	HS010G NAME PLATE	1				
005		140F99-0	CAP COMPLETE	1				
	C10	213A05-9	O-RING16	1				
006		183U47-6	HANDLE SET	1				
	C10	263005-3	RUBBER PIN 6	1				
	D10		INC. 13					
007		419704-7	LOCK OFF BUTTON	1				
008		650008-0	SWITCH C3XB-1LPSPM	1				
009		231433-0	COMPRESSION SPRING 4	1				
010		413C24-9	SWITCH LEVER	1				
011		8114R5-3	HS010G SERIAL NO. LABEL	1				
012		632P65-6	TERMINAL UNIT	1				
013		183U47-6	HANDLE SET	1				
	C10	263005-3	RUBBER PIN 6	1				
	D10		INC. 6					
014		911243-8	PAN HEAD SCREW M5X25	3				
015		141G16-9	TERMINAL HOUSING COMPLETE	1				
	C10	263005-3	RUBBER PIN 6	1				
016		266326-2	TAPPING SCREW 4X18	2				
017		413C17-6	MOTOR HOUSING	1				
018		911258-5	PAN HEAD SCREW M5X35	4				
019		413C23-1	LIGHT COVER	1				
020		620936-3	LED CIRCUIT	1				
021		266326-2	TAPPING SCREW 4X18	1				
022		620H80-4	CONTROLLER	1				
023		652069-6	FLAT HEAD SCREW M3X6	3				
024		632R96-7	SENSOR UNIT	1				
025		652093-9	PAN HEAD SCREW M2X5	3				
026		629A40-1	STATOR	1				
027		413C22-3	BAFFLE PLATE	1				
028		266326-2	TAPPING SCREW 4X18	2				
029		271453-2	LEVER 132	1				
030		257953-6	BOW STOP RING E-12	1				
031		252262-8	COLLERED HEX. NUT M8	1				
032		210022-4	BALL BEARING 626DDW	1				
033		519721-8	ROTOR ASS'Y	1				
	D10		INC. 32,35					
034		251529-1	+ PAN HEAD SCREW M4X14	1				
035		210059-1	BALL BEARING 6000DDW	1				
036		347676-5	SHAFT LOCK	1				
037		233084-5	COMPRESSION SPRING 6	1				
038		286039-9	CAP	1				
039		141H88-0	BLADE CASE COMPLETE	1				
	C10	213434-0	O RING 26	1				
	C20	263005-3	RUBBER PIN 6	1				
	C30	8004T2-8	SCALE LABEL	1				
040		266396-1	FLATHEAD SQUARENECKBOLT M8X24	1				
041		232563-0	TENSION SPRING 4	1				
042		265A60-7	+ PAN HEAD SCREW M5X14	1				
043		162686-9	OPEN LEVER	1				
044		265135-6	+ COUNTERSUNK HEAD SCREW M4X1	1				
045		347577-7	WASHER 6	1				
046		347576-9	OPEN PLATE	1				
047		265A82-7	HEX. SOCKET HEAD SCREW M3X4	1				
048		262185-2	RUBBER SLEEVE8	1				
049		232674-1	LEAF SPRING	2				
050		251572-0	+ COUNTERSUNK HEAD SCREW M6X3	1				
051		136173-4	DUST NOZZLE ASS'Y	1				
	D10		INC. 52					
052		213444-7	O RING 30	1				
053		312C12-2	BLADE CASE COVER	1				
054		8032A7-2	XGT LOGO LABEL	1				

B:HS010GT201(L)

Interchange

O : Yes

X : No

< : the new part can be substituted for the current.

> : the current part can be substituted for the new.

S : Interchangeable as a set.

MX

MEXICO

HS010G / 235MM CORDLESS CIRCULAR SAW

Item	Sub	Parts No.	Parts Description	Qty	I/C	E/C No.	Close No.	Remark
055		266034-5	TAPPING SCREW CT 4X16	4				
056		210029-0	BALL BEARING 608ZZ	1				
057		961057-5	RETAINING RING S-17	1				
058		226934-1	HELICAL GEAR 46	1				
059		257451-0	RING 17	1				
060		285809-3	BEARING RETAINER 23-36	1				
061		210301-0	BALL BEARING 6003DDW	1				
062		213623-7	O RING 46	1				
063		136192-0	BEARING BOX ASS'Y	1				
	D10		INC. 62					
064		327192-3	SPINDLE	1				
065		265034-2	+ COUNTERSUNK HEAD SCREW M5X1	2				
066		232562-2	TENSION SPRING 6	1				
067		312C14-8	SAFETY COVER	1				
068		459830-0	SPACER	1				
069		267337-0	FLAT WASHER 40	1				
070		257452-8	RETAINING RING (EXT) WR-40	1				
071		224603-8	INNER FLANGE 40	1				
072		224600-4	OUTER FLANGE 38	1				
073		265A59-2	HEX.SOCKET HEAD BOLT M8	1				
074		271451-6	LEVER 55	1				
075		911113-1	PAN HEAD SCREW M4X10 WITH WR	1				
076		252275-9	HEX. NUT M4-16	1				
077		265798-8	THUMB SCREW M6X14	1				
078		941151-9	FLAT WASHER 6	1				
079		162813-8	DEPTH GUIDE COMPLETE	1				
080		251220-1	+ PAN HEAD SCREW M6	1				
081		251370-2	+ PAN HEAD SCREW M5	1				
082		266264-8	H.S.SET SCREW(FLAT POINT)M5X6	1				
083		319239-7	STOPPER	1				
084		231665-9	TORSION SPRING 7	1				
085		252014-7	HEX. LOCK NUT M6-10	1				
086		347689-6	ANGULAR GUIDE	1				
087		233376-2	COMPRESSION SPRING 8	1				
088		256351-1	SHOULDER PIN 6-7	1				
089		347124-4	PLATE	1				
090		312C19-8	ANGULAR PLATE	1				
091		941201-0	FLAT WASHER 8	1				
092		271461-3	LEVER 56	1				
093		265B04-3	+ FLAT HEAD SCREW M5X8	2				
094		265B05-1	HEX. BOLT M8X20	1				
095		233314-4	COMPRESSION SPRING 4	1				
096		216008-6	STEEL BALL 4	1				
097		253811-4	FLAT WASHER 5	1				
098		412510-9	DIAL 27	1				
099		251370-2	+ PAN HEAD SCREW M5	1				
100		266208-8	H.S.SET SCREW(CUP POINT)M6X8	1				
101		257953-6	BOW STOP RING E-12	1				
102		912202-5	COUNTERSUNK HEAD SCREW M5X8	2				
103		347688-8	BASE	1			DD368	
103-1		347A24-4	BASE	1	<	DD368		
104		912212-2	COUNTERSUNK HEAD SCREW M5X12	5				
105		265798-8	THUMB SCREW M6X14	1				
A01		164367-1	GUIDE RULE	1				
A02		E-01965	TCT BLADE 235X24T WOOD EFFICUT	1				
A03		783204-6	HEX. WRENCH 6	1				
A04B		***DC40RA	DC40RA FAST CHARGER	1				
	D10		COMPO-PARTS					
A05B		821866-3	PLASTIC CARRYING CASE	1				
	C10	162271-8	LATCH	2				
	C20	453229-1	THUMB SCREW M12X8	1				
A06B		412393-7	BATTERY COVER	2				
A07B		191L47-8	BATTERY BL4050F SET	2				

B:HS010GT201(L)

Interchange

O : Yes

X : No

< : the new part can be substituted for the current.

> : the current part can be substituted for the new.

S : Interchangeable as a set.