



MX

MEXICO

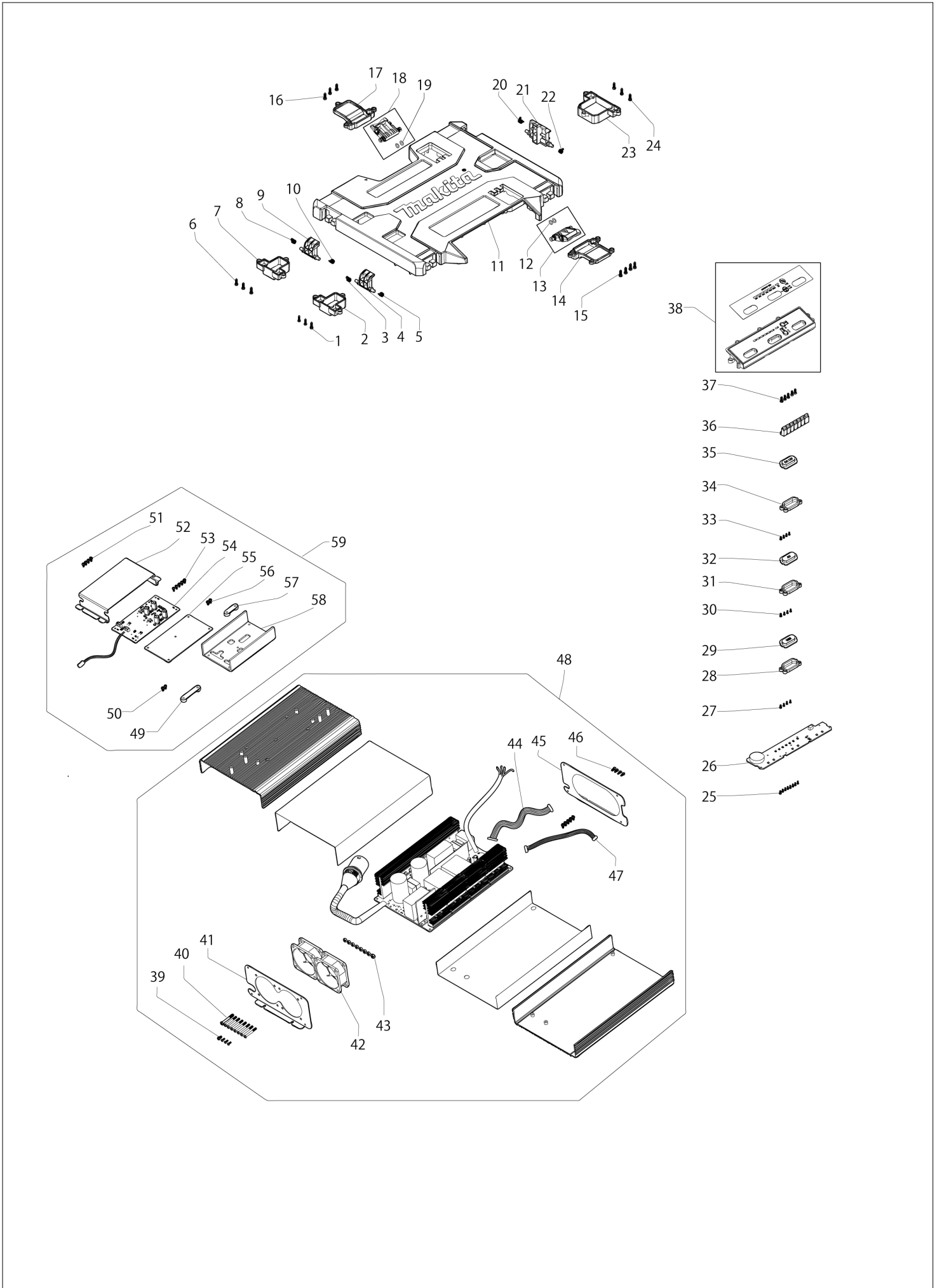
# Diagram / Parts List

**BAC01**

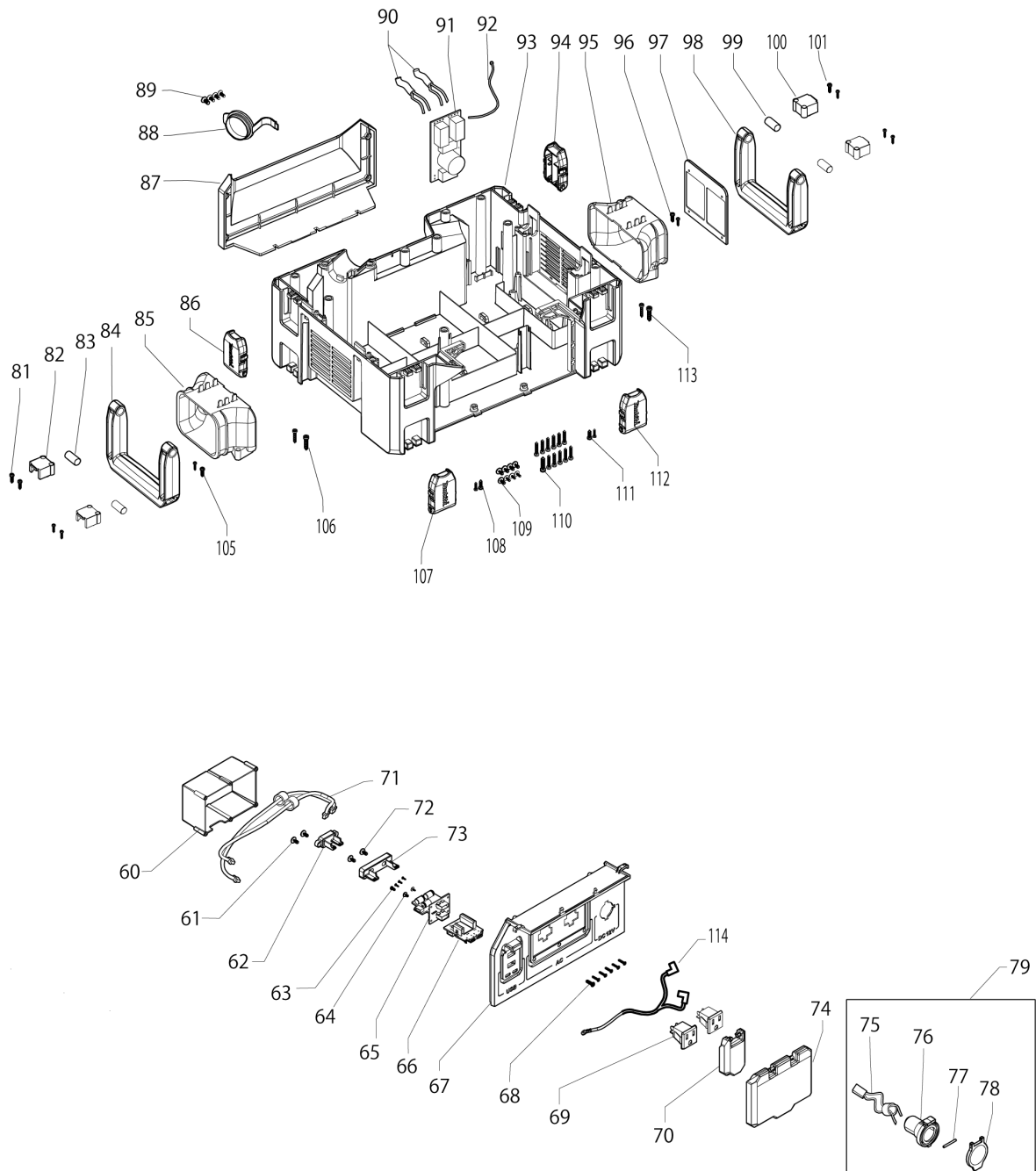
**POWER CONVERTER**



# (MX) BAC01 / POWER CONVERTER



(MX) BAC01 / POWER CONVERTER



MX

MEXICO

## BAC01 / POWER CONVERTER

Item	Sub	Parts No.	Parts Description	Qty	I/C	E/C No.	Close No.	Remark
001		QY00000011	TAPPING SCREW 3X12	3				
002		QY00000158	HOOK B COVER	1				
003		QY00000159	TORSION SPRING A	1				
004		QY00000160	HOOK B	1				
005		QY00000161	TORSION SPRING B	1				
006		QY00000011	TAPPING SCREW 3X12	3				
007		QY00000158	HOOK B COVER	1				
008		QY00000159	TORSION SPRING A	1				
009		QY00000162	HOOK C	1				
010		QY00000161	TORSION SPRING B	1				
011		QY00000163	TOP HOUSING	1				
012		QY00000164	O-RING	2				
013		QY00000165	LATCH B	1				
	D10		INC. 12					
014		QY00000166	LATCH B COVER	1				
015		QY00000011	TAPPING SCREW 3X12	4				
016		QY00000011	TAPPING SCREW 3X12	3				
017		QY00000167	LATCH A COVER	1				
018		QY00000165	LATCH B	1				
	D10		INC. 19					
019		QY00000164	O-RING	2				
020		QY00000159	TORSION SPRING A	1				
021		QY00000168	HOOK A	1				
022		QY00000161	TORSION SPRING B	1				
023		QY00000169	HOOK A COVER	1				
024		QY00000011	TAPPING SCREW 3X12	3				
025		QY00000170	TAPPING SCREW 2.0X6	8				
026		QY00000171	CONTROL PCB	1				
027		QY00000170	TAPPING SCREW 2.0X6	4				
028		QY00000172	KEY FRAME	1				
029		QY00000173	USB BUTTON	1				
030		QY00000170	TAPPING SCREW 2.0X6	4				
031		QY00000172	KEY FRAME	1				
032		QY00000174	AC BUTTON	1				
033		QY00000170	TAPPING SCREW 2.0X6	4				
034		QY00000172	KEY FRAME	1				
035		QY00000175	DC BUTTON	1				
036		QY00000176	LENS	1				
037		QY00000177	TAPPING SCREW 3.0X8	5				
038		QY00000178	PANEL ASSY	1				
039		QY00000011	TAPPING SCREW 3X12	4				
040		QY00000179	SCREW 4.0X29.5	8				
041		QY00000180	FAN PLATE	1				
042		QY00000181	FAN	2				
043		QY00000182	HEX. NUT M4	8				
044		QY00000183	LEAD UNIT A	1				
045		QY00000184	PLATE B	1				
046		QY00000011	TAPPING SCREW 3X12	4				
047		QY00000185	LEAD UNIT B	1				
048		QY00000254	MAIN PCB ASSY	1				
	D10		INC. 39-47					
049		QY00000187	LEAD HOLDER A	1				
050		QY00000188	SCREW M3X6	2				
051		QY00000188	SCREW M3X6	4				
052		QY00000189	SHIELD	1				
053		QY00000190	SCREW M3X8	5				
054		QY00000191	DC DC CONVERTER PCB	1				
055		QY00000192	HEAT DISSIPATION SHEET	1				
056		QY00000188	SCREW M3X6	2				
057		QY00000193	LEAD HOLDER B	1				
058		QY00000194	HEAT SINK DC	1				
059		QY00000195	DC PCB ASSY	1				
	D10		INC. 49-58					
060		QY00000196	AC PLUG BRACKET	1				
061		QY00000026	TAPPING SCREW 3X8	2				

A:

Interchange

O : Yes

X : No

&lt; : the new part can be substituted for the current.

&gt; : the current part can be substituted for the new.

S : Interchangeable as a set.

