



MX

MEXICO

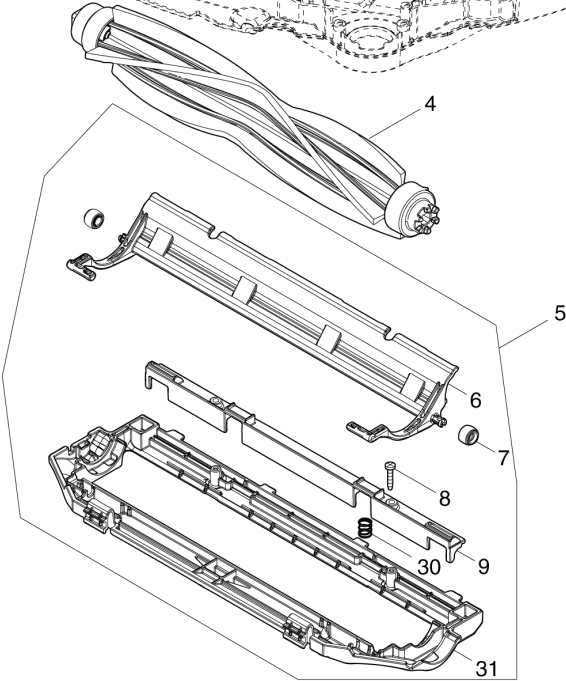
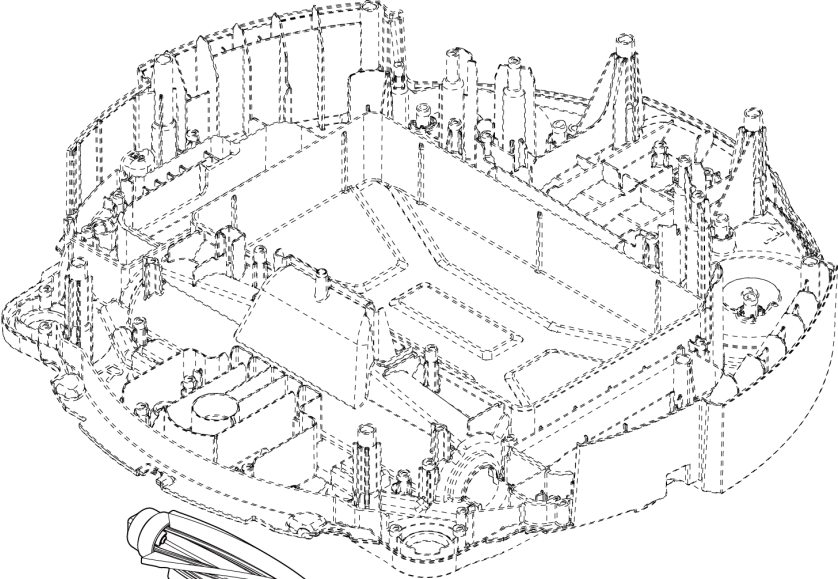
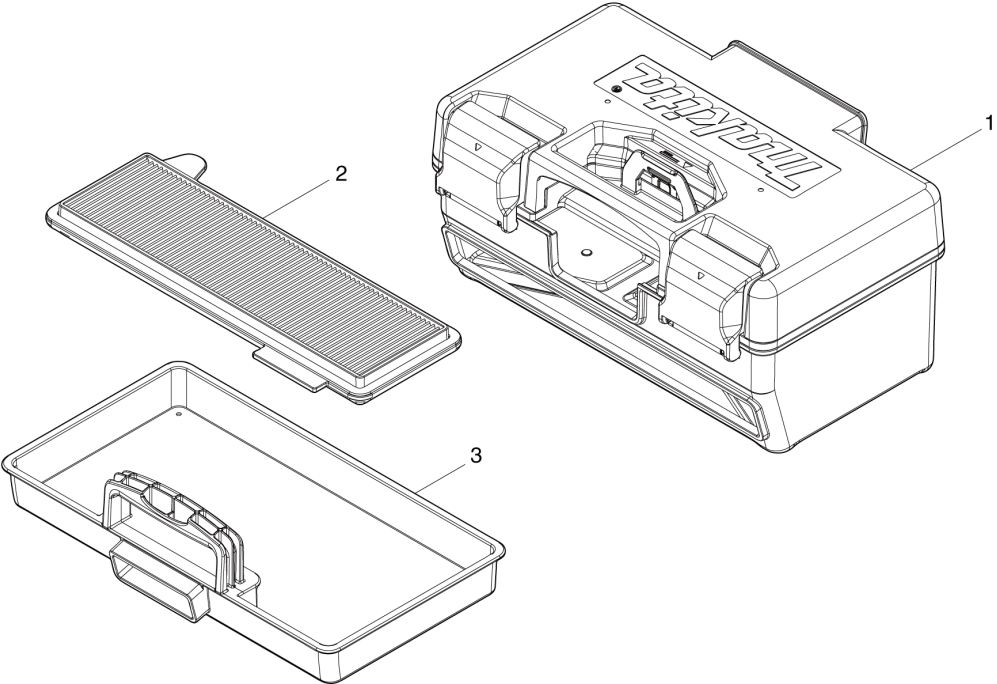
# Diagram / Parts List

**DRC300**

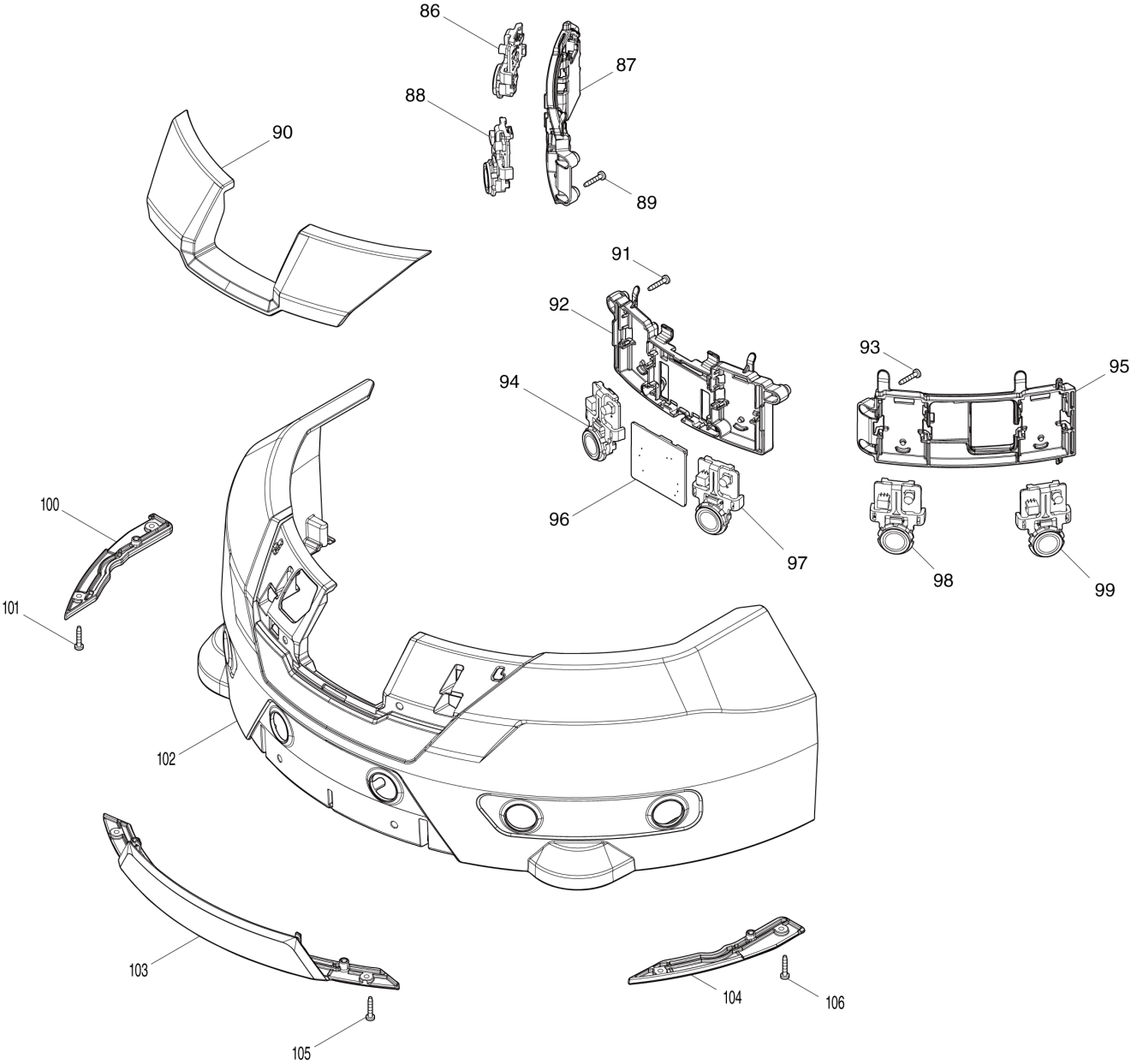
**ROBOTIC CLEANER**



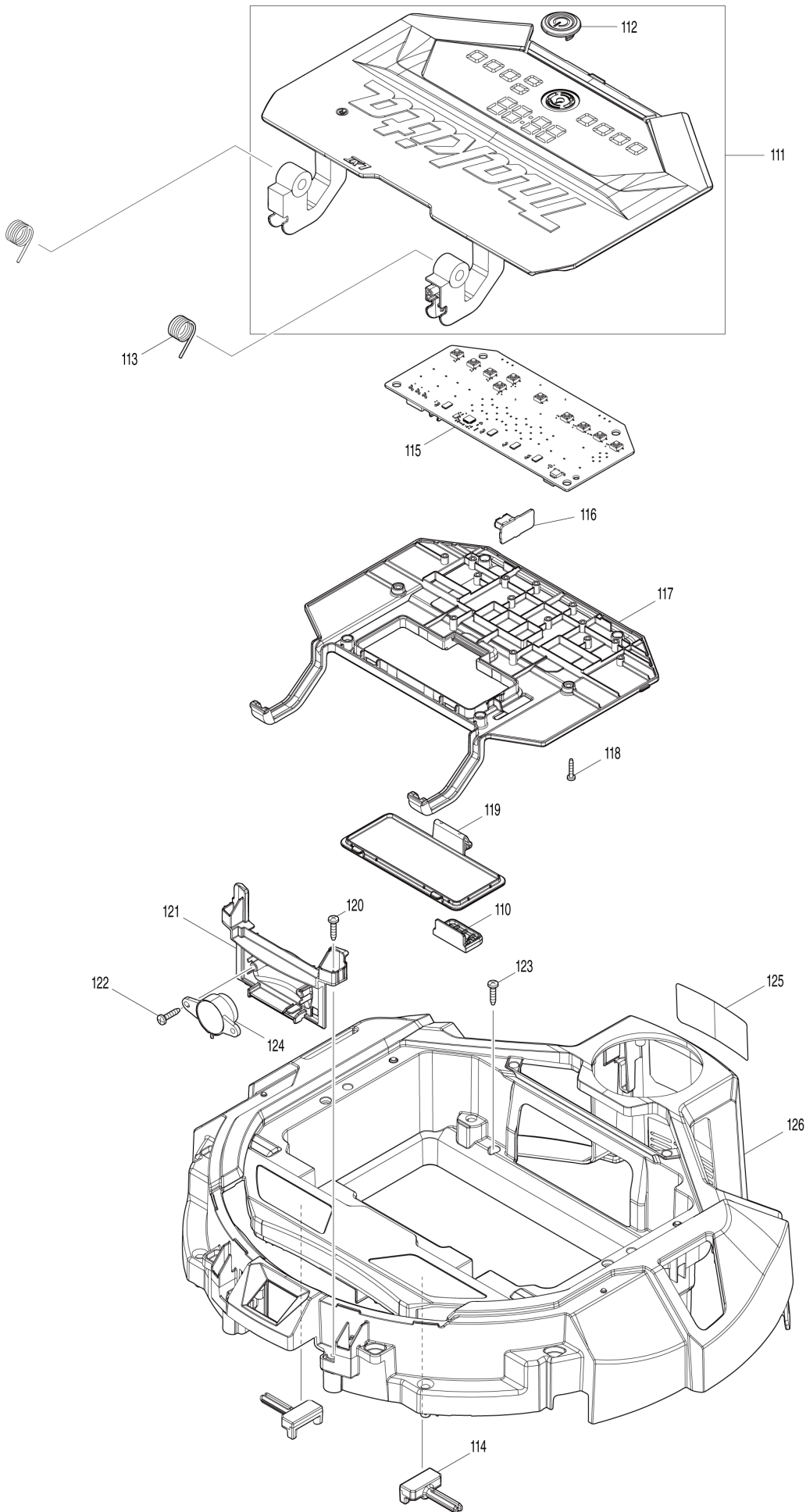
(MX) DRC300 / ROBOTIC CLEANER



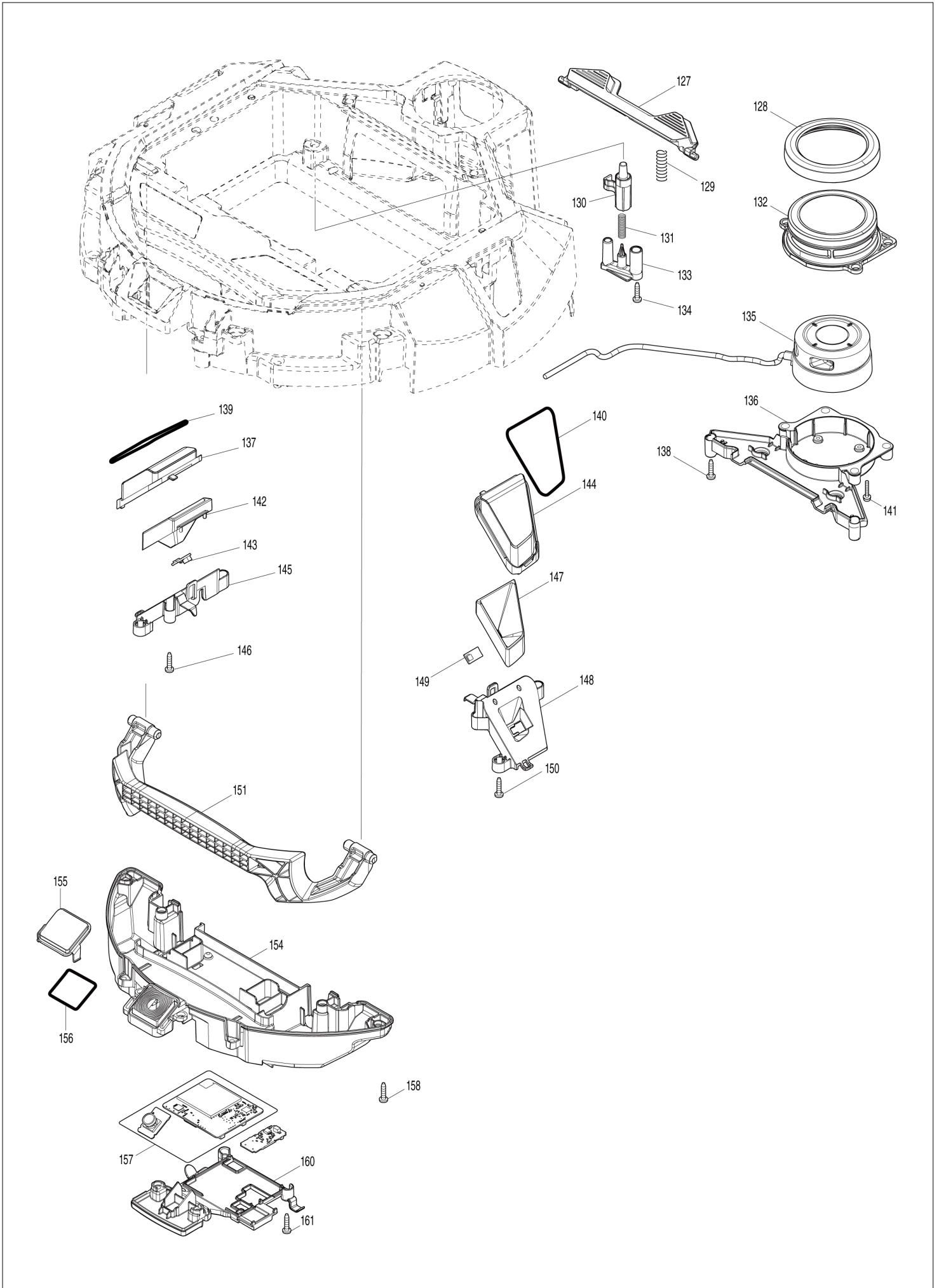
(MX) DRC300 / ROBOTIC CLEANER



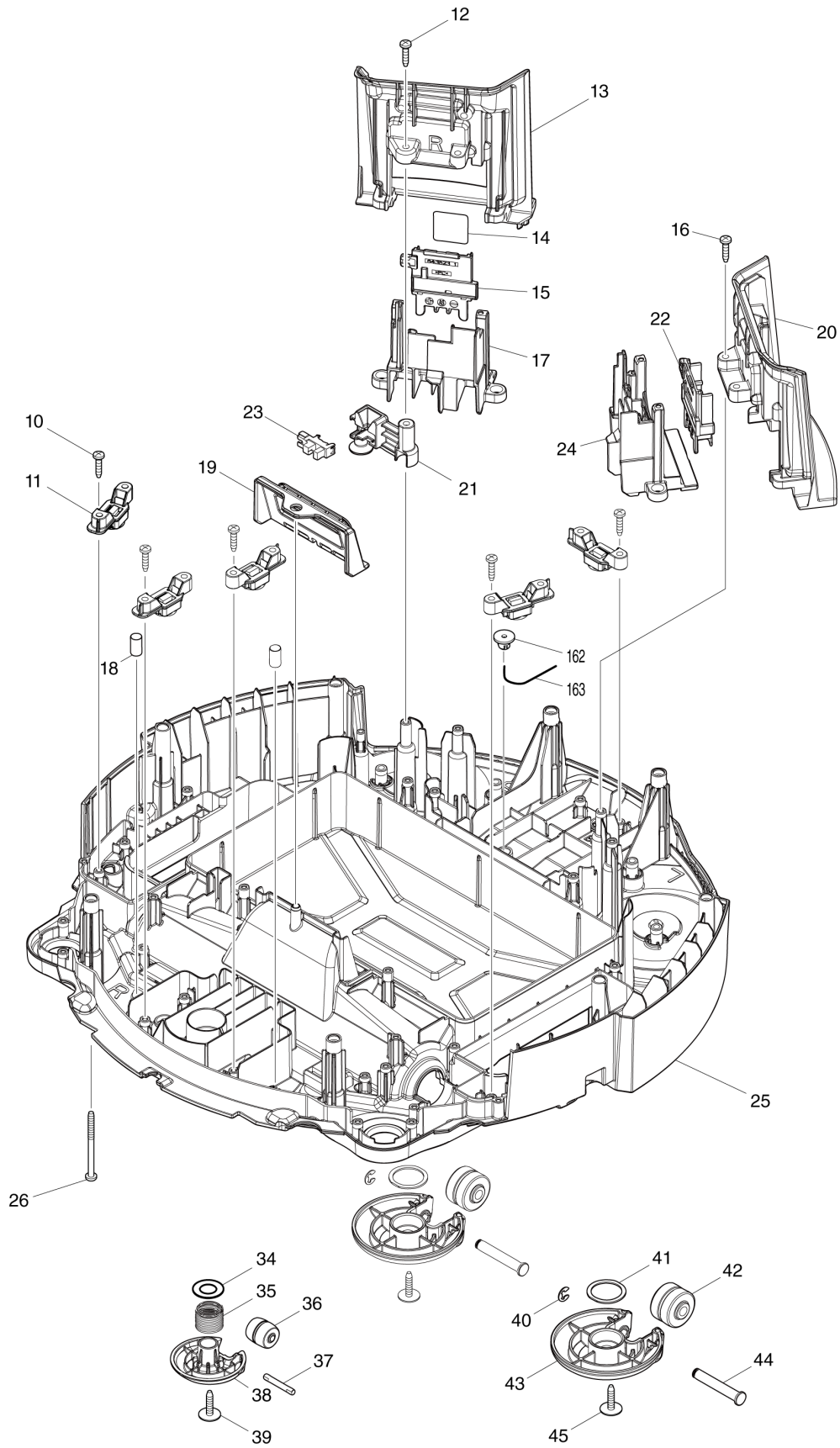
(MX) DRC300 / ROBOTIC CLEANER



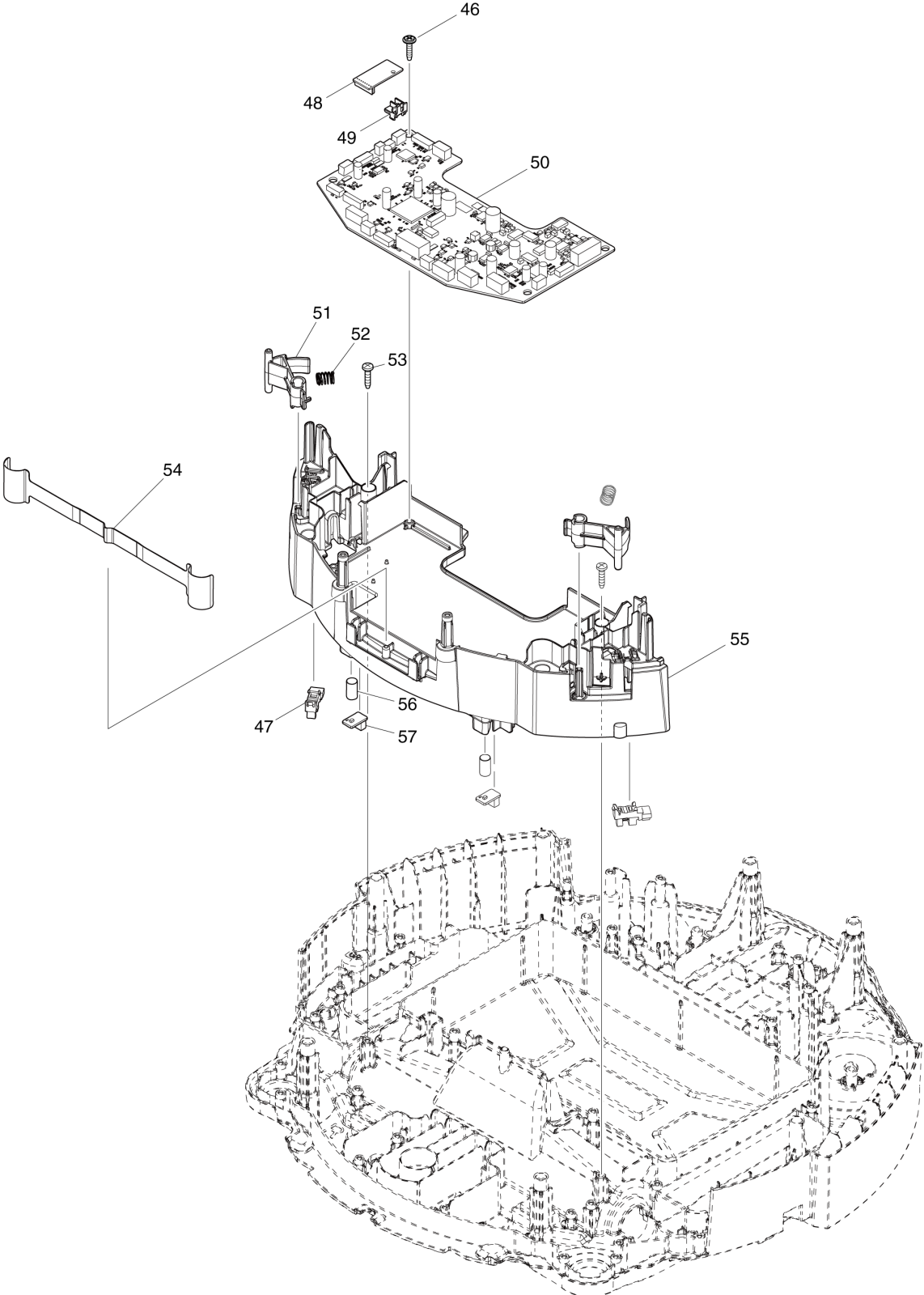
# (MX) DRC300 / ROBOTIC CLEANER



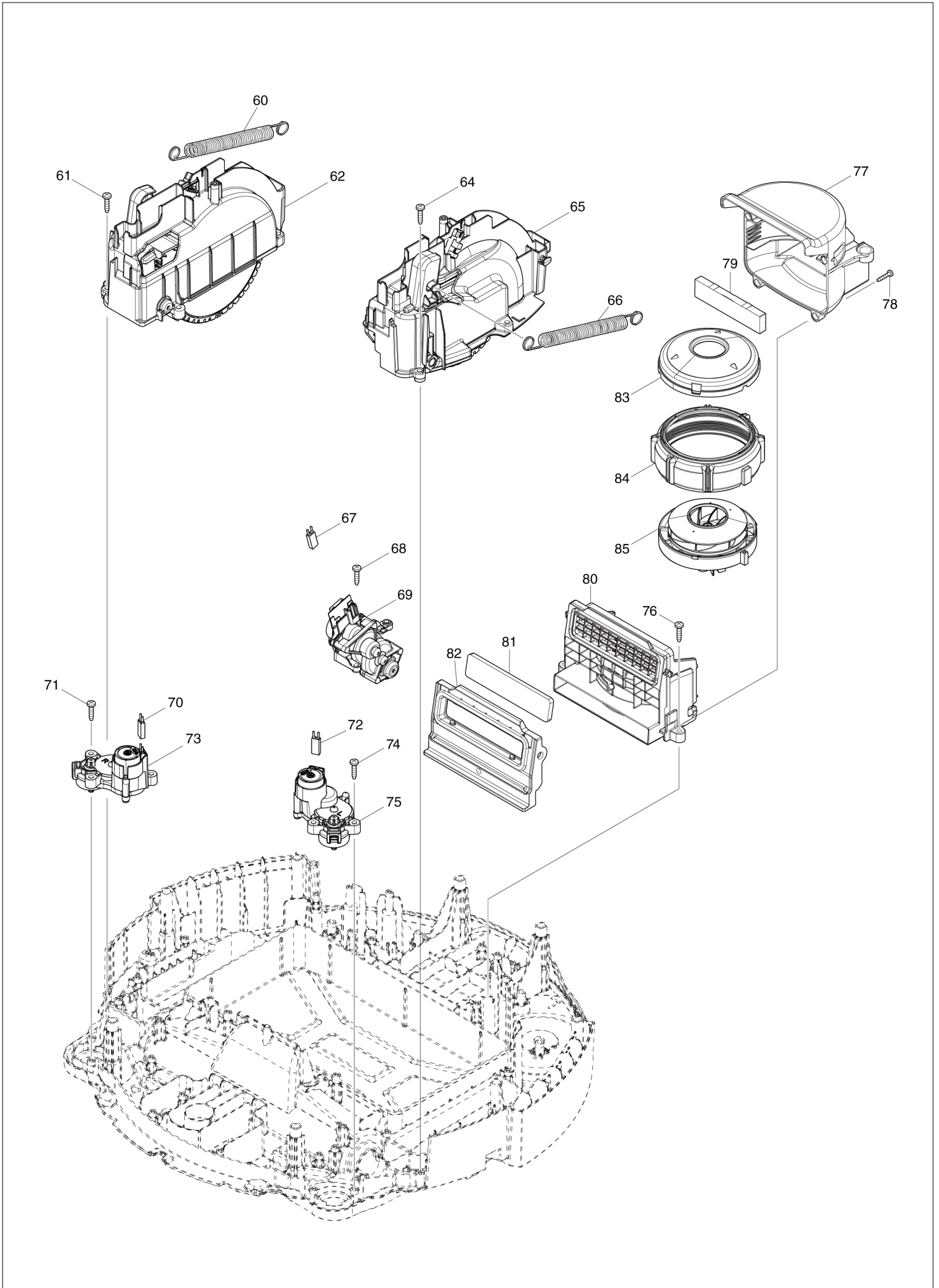
(MX) DRC300 / ROBOTIC CLEANER



(MX) DRC300 / ROBOTIC CLEANER



(MX) DRC300 / ROBOTIC CLEANER





|           |               |
|-----------|---------------|
| <b>MX</b> | <b>MEXICO</b> |
|-----------|---------------|

### DRC300 / ROBOTIC CLEANER

| Item  | Sub | Parts No. | Parts Description            | Qty | I/C | E/C No. | Close No. | Remark |
|-------|-----|-----------|------------------------------|-----|-----|---------|-----------|--------|
| 001   |     | 141A46-4  | DUST BOX COMPLETE            | 1   |     |         |           |        |
|       | C10 | 422690-3  | SEAL RING                    | 1   |     |         |           |        |
| 002   |     | 191P31-7  | FILTER H COMPLETE SET        | 1   |     |         |           |        |
| 003   |     | 413500-5  | UPPER TANK                   | 1   |     |         |           |        |
| 004   |     | 191P22-8  | MAIN BRUSH COMPLETE SET      | 1   |     |         |           |        |
|       | C10 | 413581-9  | METAL HOLDER                 | 1   |     | Y08771  |           |        |
| 005   |     | 191P24-4  | BOTTOM PLATE ASSEMBLY SET    | 1   |     |         |           |        |
|       | D10 |           | INC. 6-9,30,31               |     |     |         |           |        |
| 006   |     | 136530-6  | BRUSH C ASSEMBLY             | 1   |     |         |           |        |
| 007   |     | 413585-1  | BOTTOM ROLLER 11             | 2   |     |         |           |        |
| 008   |     | 266429-2  | TAPPING SCREW 3X16           | 2   |     |         |           |        |
| 009   |     | 413586-9  | BOTTOM CAP                   | 1   |     |         |           |        |
| 010   |     | 266326-2  | TAPPING SCREW 4X18           | 10  |     |         |           |        |
| 011   |     | 1910L6-4  | CLIFF SENSOR ASSY REPAIR SET | 5   |     |         |           |        |
| 012   |     | 266326-2  | TAPPING SCREW 4X18           | 2   |     |         |           |        |
| 013   |     | 141B82-6  | TERMINAL COVER R COMPLETE    | 1   |     |         |           |        |
|       | C10 | 263005-3  | RUBBER PIN 6                 | 2   |     |         |           |        |
| 014   |     | 811U06-7  | DRC300 SERIAL NO. LABEL      | 1   |     |         |           |        |
| 015   |     | 643523-1  | TERMINAL                     | 1   |     |         |           |        |
| 016   |     | 266326-2  | TAPPING SCREW 4X18           | 2   |     |         |           |        |
| 017   |     | 413478-2  | TERMINAL BASE                | 1   |     |         |           |        |
| 018   |     | 688234-1  | FERRITE CORE                 | 2   |     |         |           |        |
| 019   |     | 413554-2  | PACKING A                    | 1   |     |         |           |        |
| 020   |     | 141B81-8  | TERMINAL COVER L COMPLETE    | 1   |     |         |           |        |
|       | C10 | 263005-3  | RUBBER PIN 6                 | 2   |     |         |           |        |
| 021   |     | 413555-0  | FILTER SENSOR HOLDER         | 1   |     |         |           |        |
| 022   |     | 643523-1  | TERMINAL                     | 1   |     |         |           |        |
| 023   |     | 1910J8-6  | PHOTO INTERRUPTER REPAIR SET | 1   |     |         |           |        |
| 024   |     | 413478-2  | TERMINAL BASE                | 1   |     |         |           |        |
| 025   |     | 141J98-9  | LOWER HOUSING COMPLETE       | 1   |     |         | DL868     |        |
|       | C10 | 422530-5  | SPONGE SHEET                 | 2   |     |         | DL868     |        |
| 025-1 |     | 141J98-9  | LOWER HOUSING COMPLETE       | 1   | O   | DL868   |           |        |
|       | C10 | 422530-5  | SPONGE SHEET                 | 2   |     | DL868   |           |        |
| 026   |     | 266147-2  | TAPPING SCREW 4X55           | 8   |     |         |           |        |
| 030   |     | 232690-3  | COMPRESSION SPRING 7         | 2   |     |         |           |        |
| 031   |     | 413583-5  | BOTTOM PLATE                 | 1   |     |         |           |        |
| 034   |     | 253084-9  | FLAT WASHER 12               | 1   |     |         |           |        |
| 035   |     | 232685-6  | COMPRESSION SPRING 18        | 1   |     |         |           |        |
| 036   |     | 413552-6  | FRONT ROLLER 18              | 1   |     |         |           |        |
| 037   |     | 256989-2  | PIN 4                        | 1   |     |         |           |        |
| 038   |     | 413553-4  | FRONT CASTER                 | 1   |     |         |           |        |
| 039   |     | 251599-0  | TAPPING SCREW 4X18           | 1   |     |         |           |        |
| 040   |     | 961018-5  | STOP RING E-5                | 2   |     |         |           |        |
| 041   |     | 261167-1  | POLYACETAL WASHER 22         | 2   |     |         |           |        |
| 042   |     | 413551-8  | REAR ROLLER 28               | 2   |     |         |           |        |
| 043   |     | 413550-0  | REAR CASTER                  | 2   |     |         |           |        |
| 044   |     | 256988-4  | COLLAR HD. PIN 7             | 2   |     |         |           |        |
| 045   |     | 251599-0  | TAPPING SCREW 4X18           | 2   |     |         |           |        |
| 046   |     | 263046-9  | TAPPING SCREW 3X14           | 4   |     |         |           |        |
| 047   |     | 1910J8-6  | PHOTO INTERRUPTER REPAIR SET | 2   |     |         |           |        |
| 048   |     | 1910J9-4  | RF MODULE REPAIR SET         | 1   |     |         |           |        |
| 049   |     | 413561-5  | RF HOLDER                    | 1   |     |         |           |        |
| 050   |     | 1910K0-9  | CONTROL BOARD REPAIR SET     | 1   |     |         | DF090     |        |
| 050-1 |     | 1910K0-9  | CONTROL BOARD REPAIR SET     | 1   | O   | DF090   |           |        |
| 051   |     | 413560-7  | BUMPER ARM                   | 2   |     |         |           |        |
| 052   |     | 232700-6  | COMPRESSION SPRING 8         | 2   |     |         |           |        |
| 053   |     | 266326-2  | TAPPING SCREW 4X18           | 2   |     |         |           |        |
| 054   |     | 232687-2  | LEAF SPRING                  | 1   |     |         |           |        |
| 055   |     | 413418-0  | CONTROLLER HOLDER            | 1   |     |         |           |        |
| 056   |     | 688234-1  | FERRITE CORE                 | 2   |     |         |           |        |
| 057   |     | 1910K1-7  | HALL SENSOR BOARD REPAIR SET | 2   |     |         |           |        |
| 060   |     | 232686-4  | TENSION SPRING 11            | 1   |     |         |           |        |
| 061   |     | 266326-2  | TAPPING SCREW 4X18           | 4   |     |         |           |        |
| 062   |     | 1910L3-0  | WHEEL R ASSEMBLY REPAIR SET  | 1   |     |         |           |        |
|       | C10 | 638A06-0  | LEAD UNIT G                  | 1   |     | Y08776  |           |        |

A:DRC300Z(N)

Interchange  
 O : Yes  
 X : No  
 < : the new part can be substituted for the current.  
 > : the current part can be substituted for the new.  
 S : Interchangeable as a set.

MX

MEXICO

## DRC300 / ROBOTIC CLEANER

| Item  | Sub | Parts No. | Parts Description              | Qty | I/C | E/C No. | Close No. | Remark |
|-------|-----|-----------|--------------------------------|-----|-----|---------|-----------|--------|
| 064   |     | 266326-2  | TAPPING SCREW 4X18             | 4   |     |         |           |        |
| 065   |     | 1910L2-2  | WHEEL L ASSEMBLY REPAIR SET    | 1   |     |         |           |        |
|       | C10 | 638A06-0  | LEAD UNIT G                    | 1   |     | Y08776  |           |        |
| 066   |     | 232686-4  | TENSION SPRING 11              | 1   |     |         |           |        |
| 067   |     | 632S56-5  | THERMAL PROTECTOR UNIT         | 1   |     |         |           |        |
| 068   |     | 266326-2  | TAPPING SCREW 4X18             | 2   |     |         |           |        |
| 069   |     | 1910L1-4  | MAIN BRUSH MOTOR A, REPAIR SET | 1   |     |         |           |        |
|       | C10 | 413536-4  | JOINT                          | 1   |     | Y08771  |           |        |
|       | C20 | 911029-0  | P.H.SCREW M3X16 WITH WG        | 1   |     | Y08771  |           |        |
| 070   |     | 632S55-7  | THERMAL PROTECTOR UNIT         | 1   |     |         |           |        |
| 071   |     | 266326-2  | TAPPING SCREW 4X18             | 3   |     |         |           |        |
| 072   |     | 632S55-7  | THERMAL PROTECTOR UNIT         | 1   |     |         |           |        |
| 073   |     | 1910L5-6  | SIDE BRUSH R MOTOR REPAIR SET  | 1   |     |         |           |        |
| 074   |     | 266326-2  | TAPPING SCREW 4X18             | 3   |     |         |           |        |
| 075   |     | 1910L4-8  | SIDE BRUSH L MOTOR REPAIR SET  | 1   |     |         |           |        |
| 076   |     | 266326-2  | TAPPING SCREW 4X18             | 2   |     |         |           |        |
| 077   |     | 413559-2  | AIR DUCT COVER                 | 1   |     |         |           |        |
| 078   |     | 266429-2  | TAPPING SCREW 3X16             | 4   |     |         | DF330     |        |
| 078-1 |     | 266130-9  | TAPPING SCREW BIND PT 3X16     | 4   | O   | DF330   |           |        |
| 079   |     | 422698-7  | EXHAUST FILTER                 | 1   |     |         |           |        |
| 080   |     | 413557-6  | AIR DUCT HOUSING               | 1   |     |         |           |        |
| 081   |     | 422697-9  | SPONGE SHEET 24-110            | 1   |     |         |           |        |
| 082   |     | 413558-4  | PACKING B                      | 1   |     |         |           |        |
| 083   |     | 413535-6  | FAN COVER                      | 1   |     |         |           |        |
| 084   |     | 422696-1  | RUBBER RING                    | 1   |     |         |           |        |
| 085   |     | 1910L0-6  | FAN MOTOR ASSEMBLY REPAIR SET  | 1   |     |         |           |        |
| 086   |     | 1910K3-3  | USS SUB BOARD REPAIR SET       | 1   |     |         |           |        |
| 087   |     | 413482-1  | USS COVER R                    | 1   |     |         |           |        |
| 088   |     | 1910K3-3  | USS SUB BOARD REPAIR SET       | 1   |     |         |           |        |
| 089   |     | 266429-2  | TAPPING SCREW 3X16             | 2   |     |         | DF330     |        |
| 089-1 |     | 266130-9  | TAPPING SCREW BIND PT 3X16     | 2   | O   | DF330   |           |        |
| 090   |     | 413572-0  | BUMPER CAP                     | 1   |     |         |           |        |
| 091   |     | 266429-2  | TAPPING SCREW 3X16             | 4   |     |         | DF330     |        |
| 091-1 |     | 266130-9  | TAPPING SCREW BIND PT 3X16     | 4   | O   | DF330   |           |        |
| 092   |     | 413480-5  | USS COVER C                    | 1   |     |         |           |        |
| 093   |     | 266429-2  | TAPPING SCREW 3X16             | 2   |     |         | DF330     |        |
| 093-1 |     | 266130-9  | TAPPING SCREW BIND PT 3X16     | 2   | O   | DF330   |           |        |
| 094   |     | 1910K3-3  | USS SUB BOARD REPAIR SET       | 1   |     |         |           |        |
| 095   |     | 413481-3  | USS COVER L                    | 1   |     |         |           |        |
| 096   |     | 1910K2-5  | USS MAIN BOARD REPAIR SET      | 1   |     |         | DR757     |        |
| 096-1 |     | 1910K2-5  | USS MAIN BOARD REPAIR SET      | 1   | O   | DR757   |           |        |
| 097   |     | 1910K3-3  | USS SUB BOARD REPAIR SET       | 1   |     |         |           |        |
| 098   |     | 1910K3-3  | USS SUB BOARD REPAIR SET       | 1   |     |         |           |        |
| 099   |     | 1910K3-3  | USS SUB BOARD REPAIR SET       | 1   |     |         |           |        |
| 100   |     | 413579-6  | BUMPER COVER R                 | 1   |     |         |           |        |
| 101   |     | 266429-2  | TAPPING SCREW 3X16             | 2   |     |         | DF330     |        |
| 101-1 |     | 266130-9  | TAPPING SCREW BIND PT 3X16     | 2   | O   | DF330   |           |        |
| 102   |     | 413427-9  | BUMPER                         | 1   |     |         |           |        |
| 103   |     | 413575-4  | BUMPER COVER C                 | 1   |     |         |           |        |
| 104   |     | 413578-8  | BUMPER COVER L                 | 1   |     |         |           |        |
| 105   |     | 266429-2  | TAPPING SCREW 3X16             | 3   |     |         | DF330     |        |
| 105-1 |     | 266130-9  | TAPPING SCREW BIND PT 3X16     | 3   | O   | DF330   |           |        |
| 106   |     | 266429-2  | TAPPING SCREW 3X16             | 2   |     |         | DF330     |        |
| 106-1 |     | 266130-9  | TAPPING SCREW BIND PT 3X16     | 2   | O   | DF330   |           |        |
| 110   |     | 422820-6  | RUBBER CAP                     | 1   |     |         |           |        |
| 111   |     | 127838-9  | TOP COVER ASSEMBLY             | 1   |     |         |           |        |
|       | D10 |           | INC. 112                       |     |     |         |           |        |
| 112   |     | 413570-4  | SWITCH BUTTON                  | 1   |     |         |           |        |
| 113   |     | 232689-8  | TORSION SPRING 14              | 2   |     |         |           |        |
| 114   |     | 312B42-7  | TOP COVER SHAFT                | 2   |     |         |           |        |
| 115   |     | 1910K4-1  | UI BOARD REPAIR SET            | 1   |     |         |           |        |
| 116   |     | 1910K7-5  | USB IF BOARD REPAIR SET        | 1   |     |         |           |        |
| 117   |     | 141B97-3  | TOP CAP COMPLETE               | 1   |     |         |           |        |
|       | C10 | 8032K4-8  | INDICATION LABEL               | 1   |     |         |           |        |
| 118   |     | 266429-2  | TAPPING SCREW 3X16             | 6   |     |         | DF330     |        |

A:DRC300Z(N)

Interchange

O : Yes

X : No

&lt; : the new part can be substituted for the current.

&gt; : the current part can be substituted for the new.

S : Interchangeable as a set.

MX

MEXICO

## DRC300 / ROBOTIC CLEANER

| Item  | Sub | Parts No.  | Parts Description             | Qty | I/C | E/C No. | Close No. | Remark |
|-------|-----|------------|-------------------------------|-----|-----|---------|-----------|--------|
| 118-1 |     | 266130-9   | TAPPING SCREW BIND PT 3X16    | 6   | O   | DF330   |           |        |
| 119   |     | 413543-7   | USB COVER                     | 1   |     |         |           |        |
| 120   |     | 266326-2   | TAPPING SCREW 4X18            | 2   |     |         |           |        |
| 121   |     | 413537-2   | INNER FRONT COVER             | 1   |     |         |           |        |
| 122   |     | 266326-2   | TAPPING SCREW 4X18            | 2   |     |         |           |        |
| 123   |     | 266326-2   | TAPPING SCREW 4X18            | 6   |     |         |           |        |
| 124   |     | 1910K9-1   | BUZZER REPAIR SET             | 1   |     |         |           |        |
| 125   |     | 811U01-7   | DRC300 NAME PLATE             | 1   |     |         |           |        |
| 126   |     | 141B86-8   | UPPER HOUSING COMPLETE        | 1   |     |         |           |        |
|       | C10 | 263005-3   | RUBBER PIN 6                  | 2   |     |         |           |        |
|       | C20 | 8032J5-9   | CAUTION LABEL                 | 1   |     |         |           |        |
|       | C30 | 8032J6-7   | CAUTION LABEL                 | 1   |     |         |           |        |
| 127   |     | 413568-1   | BUTTON                        | 1   |     |         | DJ133     |        |
| 127-1 |     | 413P98-8   | BUTTON                        | 1   | <   | DJ133   |           |        |
| 128   |     | 422701-4   | PROTECTOR                     | 1   |     |         |           |        |
| 129   |     | 231297-2   | COMPRESSION SPRING 9          | 2   |     |         |           |        |
| 130   |     | 413540-3   | FILTER BUTTON                 | 1   |     |         |           |        |
| 131   |     | 232688-0   | COMPRESSION SPRING 6          | 1   |     |         |           |        |
| 132   |     | 141B90-7   | LIDAR COVER COMPLETE          | 1   |     |         |           |        |
|       | C10 | 8032J8-3   | INDICATION LABEL              | 1   |     |         |           |        |
| 133   |     | 413541-1   | SPRING HOLDER                 | 1   |     |         |           |        |
| 134   |     | 266326-2   | TAPPING SCREW 4X18            | 1   |     |         |           |        |
| 135   |     | 620B66-2   | LIDAR MODULE                  | 1   |     |         |           |        |
| 136   |     | 413567-3   | LIDAR HOLDER                  | 1   |     |         |           |        |
| 137   |     | 413547-9   | LED LENS R                    | 1   |     |         |           |        |
| 138   |     | 266326-2   | TAPPING SCREW 4X18            | 6   |     |         |           |        |
| 139   |     | 422703-0   | SEAL RING S                   | 1   |     |         |           |        |
| 140   |     | 422703-0   | SEAL RING S                   | 1   |     |         |           |        |
| 141   |     | 911029-0   | P.H.SCREW M3X16 WITH WG       | 4   |     |         |           |        |
| 142   |     | 413548-7   | LED REFLECTOR R               | 1   |     |         |           |        |
| 143   |     | 1910K5-9   | LED BOARD REPAIR SET          | 1   |     |         |           |        |
| 144   |     | 413544-5   | LED LENS L                    | 1   |     |         |           |        |
| 145   |     | 413549-5   | LED COVER R                   | 1   |     |         |           |        |
| 146   |     | 266326-2   | TAPPING SCREW 4X18            | 2   |     |         |           |        |
| 147   |     | 413545-3   | LED REFLECTOR L               | 1   |     |         |           |        |
| 148   |     | 413546-1   | LED COVER L                   | 1   |     |         |           |        |
| 149   |     | 1910K5-9   | LED BOARD REPAIR SET          | 1   |     |         |           |        |
| 150   |     | 266326-2   | TAPPING SCREW 4X18            | 2   |     |         |           |        |
| 151   |     | 413562-3   | HANDLE                        | 1   |     |         |           |        |
| 154   |     | 413422-9   | HANDLE COVER                  | 1   |     |         |           |        |
| 155   |     | 413542-9   | VISION CAMERA LENS            | 1   |     |         |           |        |
| 156   |     | 422700-6   | SEAL RING T                   | 1   |     |         |           |        |
| 157   |     | 1910K8-3   | VISION CAMERA COMP REPAIR SET | 1   |     |         | DE361     |        |
| 157-1 |     | 1910K8-3   | VISION CAMERA COMP REPAIR SET | 1   |     | DE361   | DF301     |        |
| 157-2 |     | 1911A5-5   | VISION CAMERA COMP REPAIR SET | 1   |     | DF301   | DG449     |        |
| 157-3 |     | 1911A5-5   | VISION CAMERA COMP REPAIR SET | 1   | O   | DG449   | DN992     |        |
| 157-4 |     | 1911A5-5   | VISION CAMERA COMP REPAIR SET | 1   | O   | DN992   |           |        |
| 158   |     | 266326-2   | TAPPING SCREW 4X18            | 6   |     |         |           |        |
| 160   |     | 413565-7   | HANDLE LOWER COVER            | 1   |     |         |           |        |
| 161   |     | 266326-2   | TAPPING SCREW 4X18            | 4   |     |         |           |        |
| 162   |     | 421468-1   | CORD SEAL                     | 1   |     |         |           |        |
| 163   |     | 649152-8   | EARTH LINE 70                 | 1   |     |         |           |        |
| A01   |     | 191P28-6   | SIDE BRUSH ASSEMBLY SET       | 1   |     |         |           |        |
| A02   |     | 620B53-1   | RF REMOTE CONTROLLER          | 1   |     |         | DL326     |        |
|       | C10 | NC00000012 | BATTERY COVER                 | 1   |     |         | DL326     |        |
| A02-1 |     | 620N02-0   | RF REMOTE CONTROLLER          | 1   | <   | DL326   |           |        |
|       | C10 | NC00000012 | BATTERY COVER                 | 1   |     | DL326   |           |        |
| E01   |     | 136571-2   | EARTH LINE LEAD UNIT A ASS'Y  | 1   |     |         |           |        |
|       | D10 |            | INC. 162,163                  |     |     |         |           |        |
| E02   |     | 638A01-0   | LEAD UNIT B                   | 1   |     |         |           |        |
| E03   |     | 638A02-8   | LEAD UNIT C                   | 1   |     |         |           |        |
| E04   |     | 638A03-6   | LEAD UNIT D                   | 2   |     |         |           |        |
| E05   |     | 638A04-4   | LEAD UNIT E                   | 1   |     |         |           |        |
| E06   |     | 638A05-2   | LEAD UNIT F                   | 2   |     |         |           |        |
| E08   |     | 638A07-8   | LEAD UNIT H                   | 1   |     |         |           |        |

A:DRC300Z(N)

Interchange

O : Yes

X : No

&lt; : the new part can be substituted for the current.

&gt; : the current part can be substituted for the new.

S : Interchangeable as a set.

