



MX

MEXICO

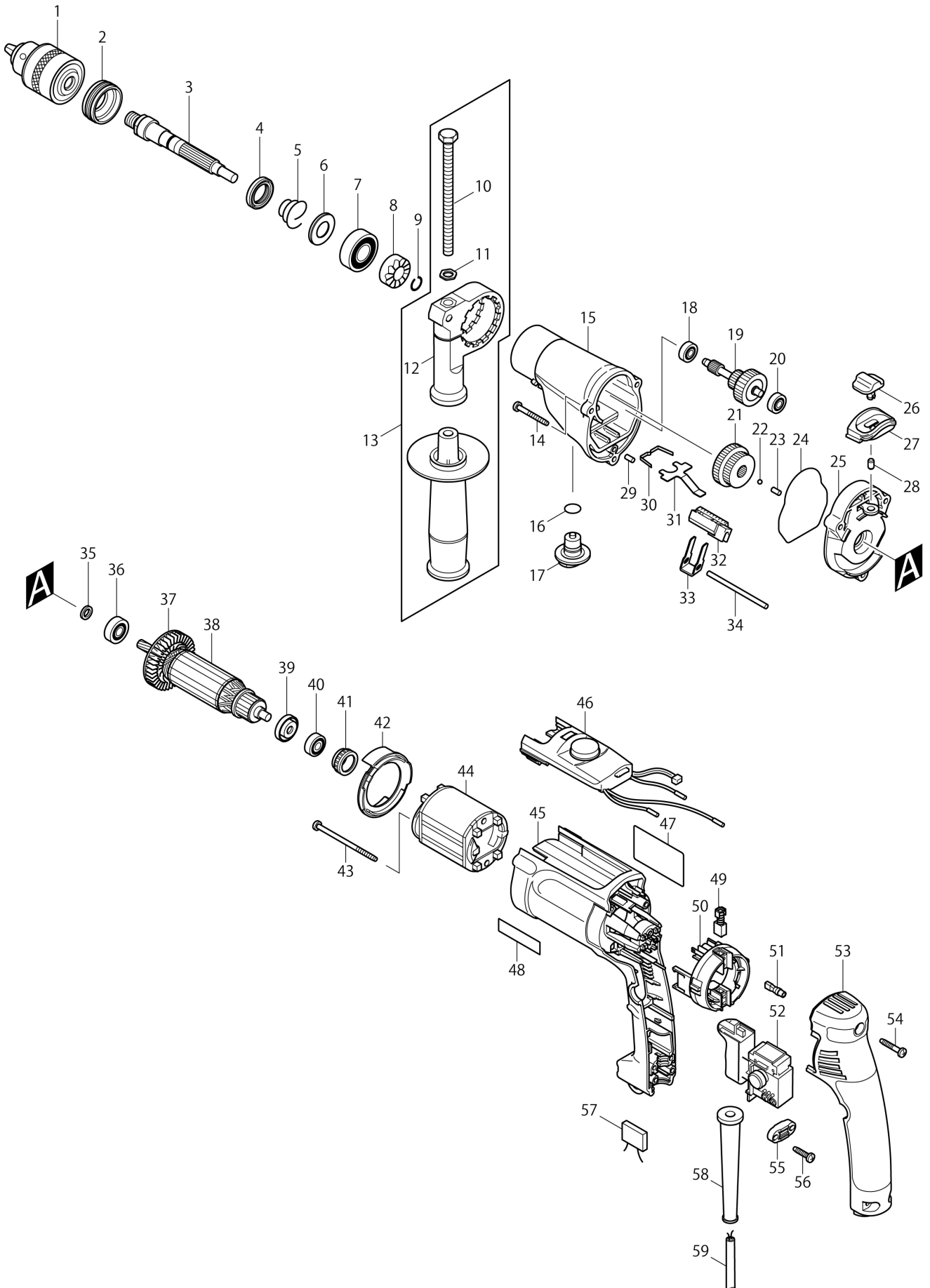
Diagram / Parts List

HP2070

2-SPEED HAMMER DRILL 20MM



(MX) HP2070 / 2-SPEED HAMMER DRILL 20MM



MX

MEXICO

HP2070 / 2-SPEED HAMMER DRILL 20MM

Item	Sub	Parts No.	Parts Description	Qty	I/C	E/C No.	Close No.	Remark
001		193822-6	DRILL CHUCK S13	1				
	C10	763430-3	CHUCK KEY S13	1				
002		285839-4	BEARING RETAINER	1				
003		324247-5	SPINDLE	1				
004		213314-0	OIL SEAL 19	1				
005		233921-3	CONICAL COMPRESSION SPRING	1				
006		345224-4	CUP WASHER 15	1				
007		211206-7	BALL BEARING 6202LLB	1				
008		223141-7	CAM A	1				
009		233920-5	RING SPRING 11	1				
010		921923-8	HEX. BOLT M8X120	1			DD376	
010-1		265439-6	HEX. BOLT M8X150	1	S	DD376		
011		345280-4	HEX. WASHER	1				
012		417630-4	GRIP BASE	1			DD376	
012-1		459485-1	GRIP BASE	1	S	DD376		
013		134943-5	GRIP 36 ASS'Y	1			86009	
	D10		INC. 10-12				86009	
013-1		135302-6	GRIP 36 ASS'Y	1	O	86009	DD376	
	D10		INC. 10-12			86009	DD376	
013-2		136603-5	GRIP 36 ASS'Y	1	<	DD376		
	D10		INC. 10-12			DD376		
014		266053-1	TAPPING SCREW 4X35	3				
015		153621-8	GEAR HOUSING COMPLETE	1				
016		213122-9	O RING 12	1				
017		417805-5	CHANGE LEVER B	1				
018		211014-6	BALL BEARING 606	1			86244	
018-1		211012-0	BALL BEARING 606ZZ	1	O	86244		
019		153622-6	GEAR COMPLETE	1				
020		211014-6	BALL BEARING 606	1			86244	
020-1		211012-0	BALL BEARING 606ZZ	1	O	86244		
021		227030-8	SPUR GEAR 29-37	1			70542	
021-1		227119-2	SPUR GEAR 29-37	1	<	70542		
022		216001-0	STEEL BALL 3.5	1				
023		256251-5	PIN 4	1				
024		421810-6	SEAL RING	1				
025		153620-0	GEAR HOUSING COVER COMPLETE	1				
026		418083-0	CHANGE LEVER A	1				
027		417802-1	LEVER CASE	1				
028		263002-9	RUBBER PIN 4	1				
029		256251-5	PIN 4	1				
030		232143-2	LEAF SPRING	1				
031		345225-2	LOCK PLATE	1				
032		417804-7	RACK 12	1				
033		345223-6	CHANGE PLATE B	1				
034		268092-7	PIN 4	1				
035		262087-2	RING 8	1			D6478	
035-1		257857-2	RING 8	1	<	D6478		
036		210005-4	BALL BEARING 608DDW	1				
037		240065-2	FAN 52	1				
038		517461-2	ARMATURE ASS'Y 115V	1				
	D10		INC. 35-37,39,40					
039		681636-0	INSULATION WASHER	1				
040		211021-9	BALL BEARING 607LLB	1				
041		421494-0	RUBBER RING 19	1				
042		418269-6	BAFFLE PLATE	1				
043		266004-4	TAPPING SCREW 4X70	2				
044		633571-8	FIELD 115V	1				
045		183657-3	MOTOR HOUSING	1			DD376	
	D10		INC. 48				DD376	
045-1		413849-3	MOTOR HOUSING	1	S	DD376		
046		631533-0	CONTROLLER	1				
047		850576-5	NAME PLATE HP2070	1		A6018		
048		819063-3	MAKITA LABEL	1			DD376	
049		191927-6	CARBON BRUSH CB-407	1			85070	
049-1		195007-0	CARBON BRUSH CB-407	1	<	85070		

A:HP2070(L)

Interchange

O : Yes

X : No

< : the new part can be substituted for the current.

> : the current part can be substituted for the new.

S : Interchangeable as a set.

