



MX

MEXICO

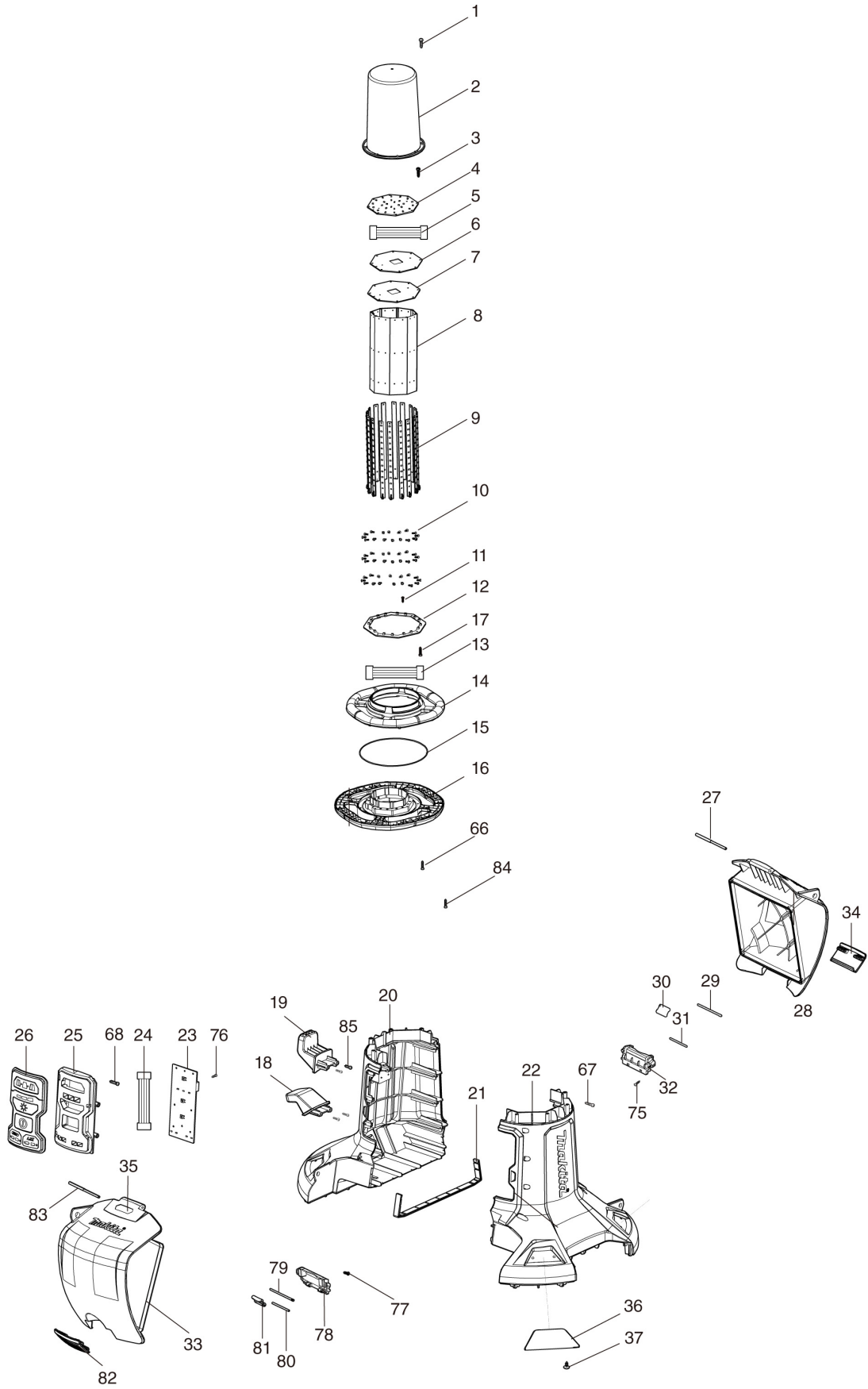
# Diagram / Parts List

**ML010G**

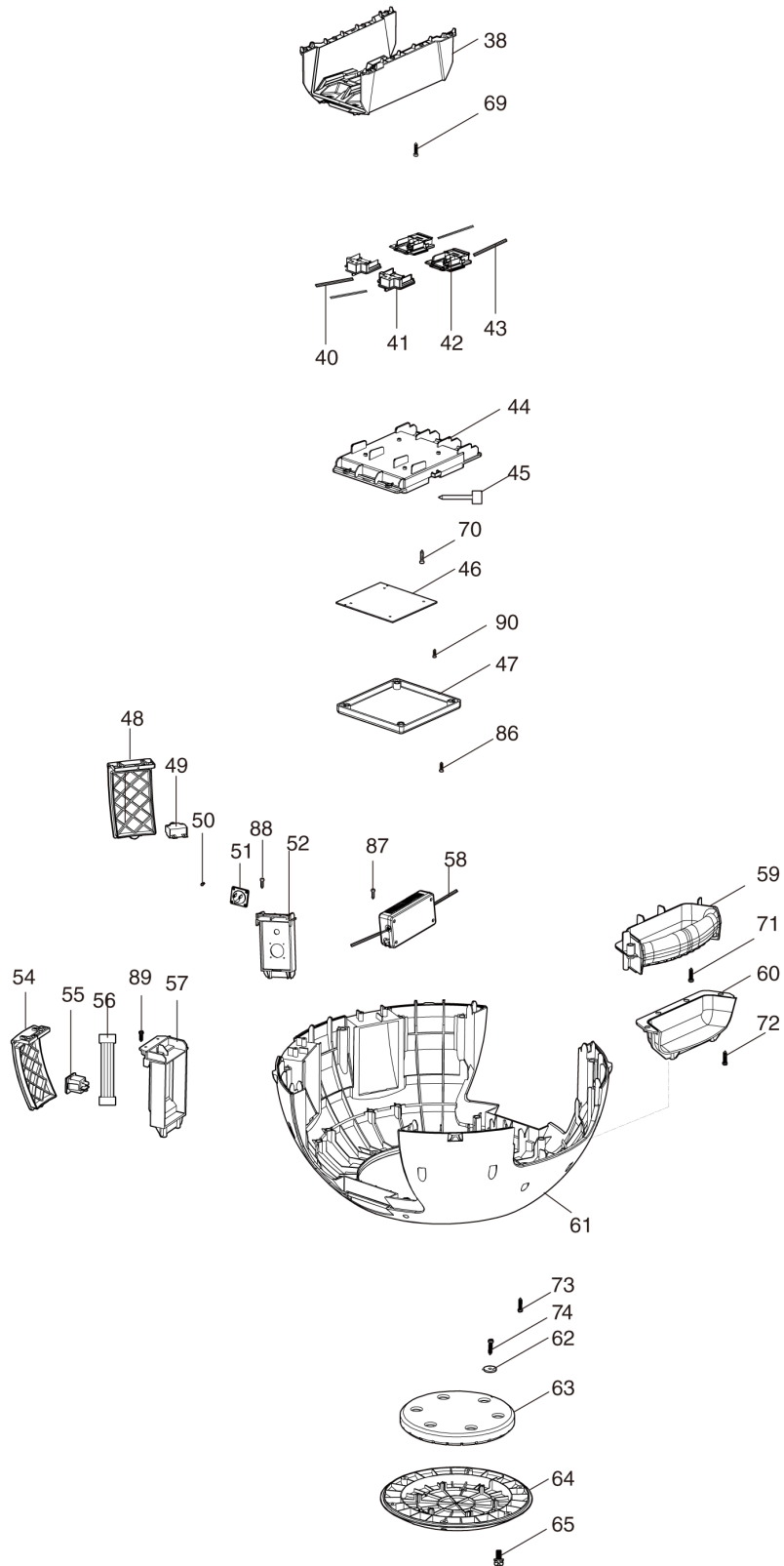
**CORDLESS AREA WORKLIGHT**



# (MX) ML010G / CORDLESS AREA WORKLIGHT



(MX) ML010G / CORDLESS AREA WORKLIGHT



<b>MX</b>	<b>MEXICO</b>
-----------	---------------

### ML010G / CORDLESS AREA WORKLIGHT

Item	Sub	Parts No.	Parts Description	Qty	I/C	E/C No.	Close No.	Remark
001		QY00000001	TAPPING SCREW 4X20	8				
002		QY00000002	LED COVER	1				
003		QY00000003	TAPPING SCREW 3.5X14	8				
004		QY00000102	LED PLATE	1				
005		QY00000005	WIRE UNIT 6X300	1				
006		QY00000006	INSULATION PLATE	1				
007		QY00000007	HEAT SINK PLATE COVER	1				
008		QY00000008	HEAT SINK PLATE	1				
009		QY00000103	LED PLATE LONG	16				
010		QY00000009	TAPPING SCREW 3X6	48				
011		QY00000011	TAPPING SCREW 3X12	4				
012		QY00000104	LED PCB CONNECTOR	1				
013		QY00000105	CABLE	1				
014		QY00000014	CIRCLE HANDLE UPPER	1				
015		QY00000015	O-RING	1				
016		QY00000016	CIRCLE HANDLE LOWER	1				
017		QY00000017	TAPPING SCREW 3.5X14	8				
018		QY00000106	CABLE HOOK UNDER	1				
019		QY00000107	CABLE HOOK UPPER	1				
020		QY00000108	CASE L	1				
021		QY00000109	SEALING	1				
022		QY00000110	CASE R	1				
023		QY00000111	SWITCH PCB BOARD	1				
024		QY00000112	LEAD UNIT	1				
025		QY00000113	SWITCH BASE	1				
026		QY00000114	SWITCH COVER	1				
027		QY00000115	PIN	2				
028		QY00000116	BATTERY COVER A	1				
029		QY00000030	PIN 2.5X73	2				
030		QY00000032	BATTERY COVER PLATE	2				
031		QY00000031	PIN 4X75	2				
032		QY00000117	BATTERY COVER BASE	1				
033		QY00000118	BATTERY COVER B	1				
	D10		INC. 35					
034		QY00000029	LATCH	2				
035		8030S0-0	XGT LOGO LABEL	1				
036		QY00000027	REFLECTOR	4				
037		QY00000026	TAPPING SCREW 3X8	8				
038		QY00000119	BATTERY BOX LOWER	1				
040		QY00000121	LEAD UNIT (LXT)	2				
041		QY00000122	LXT BATTERY TERMINAL	2				
042		QY00000123	XGT BATTERY TERMINAL	2				
043		QY00000124	LEAD UNIT (XGT)	2				
044		QY00000125	TERMINAL SUPPORT	1				
045		QY00000126	CABLE TIES	12				
046		QY00000127	MAIN PCB BOARD	1				
047		QY00000128	PCB BOARD COVER	1				
048		QY00000129	AC INPUT SOCKET COVER	1				
049		QY00000056	HUSE SET	1				
050		QY00000036	TAPPING SCREW 3X12	2				
051		QY00000058	AC INPUT POWER CONNECTOR	1				
052		QY00000130	AC INPUT SOCKET CASE	1				
054		QY00000135	AC OUTPUT SOCKET COVER	1				
055		QY00000054	AC OUTPUT SOCKET A	1				
056		QY00000144	LEAD UNIT	1				
057		QY00000145	AC OUTPUT SOCKET CASE	1				
058		QY00000151	POWER UNIT	1				
059		QY00000152	SUB HADBLE	1				
060		QY00000153	HANDLE COVER	1				
061		QY00000154	BASE	1				
062		QY00000061	WASHER 5	6				
063		QY00000155	WEIGHT	1				
064		QY00000156	UNDER COVER	1				
065		QY00000157	PAN HEAD SCREW M5X16	6				
066		QY00000001	TAPPING SCREW 4X20	8				

A:

Interchange  
 O : Yes  
 X : No  
 < : the new part can be substituted for the current.  
 > : the current part can be substituted for the new.  
 S : Interchangeable as a set.

