



| | |
|----|--------|
| MX | MEXICO |
|----|--------|

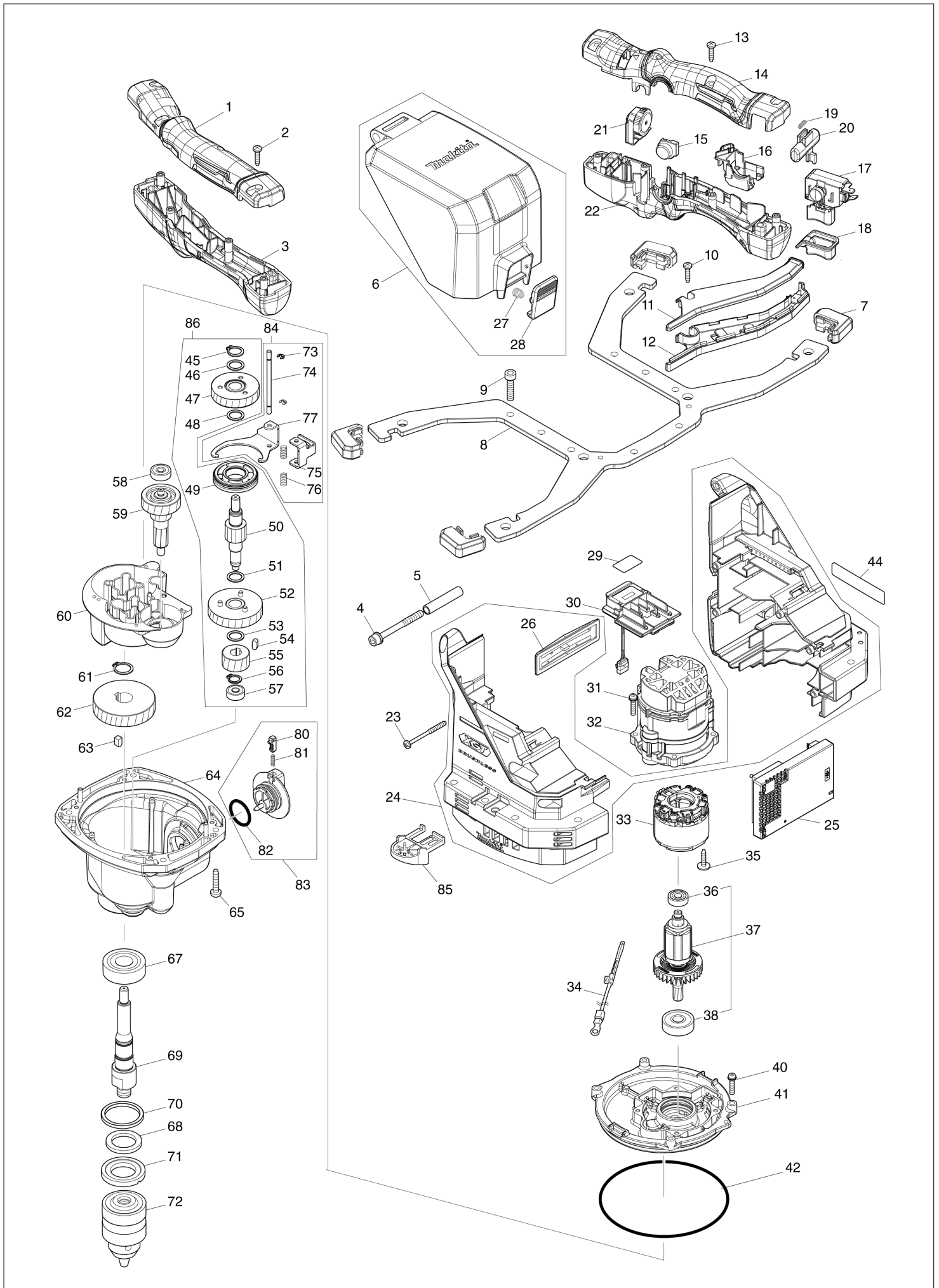
Diagram / Parts List

UT002G

CORDLESS MIXER



(MX) UT002G / CORDLESS MIXER



| | |
|-----------|---------------|
| MX | MEXICO |
|-----------|---------------|

UT002G / CORDLESS MIXER

| Item | Sub | Parts No. | Parts Description | Qty | I/C | E/C No. | Close No. | Remark |
|------|-----|-----------|-----------------------------|-----|-----|---------|-----------|--------|
| 001 | | 183X11-5 | LEFT GRIP SET | 1 | | | | |
| | D10 | | INC. 3 | | | | | |
| 002 | | 266326-2 | TAPPING SCREW 4X18 | 4 | | | | |
| 003 | | 183X11-5 | LEFT GRIP SET | 1 | | | | |
| | D10 | | INC. 1 | | | | | |
| 004 | | 922383-7 | H.S.H.BOLT M6X60 WITH WR | 1 | | | | |
| 005 | | 257885-7 | SLEEVE 6 | 1 | | | | |
| 006 | | 122D95-8 | COVER L ASSEMBLY | 1 | | | | |
| | D10 | | INC. 27,28 | | | | | |
| 007 | | 422906-6 | HANDLE GUARD | 4 | | | | |
| 008 | | 347A13-9 | HANDLE | 1 | | | | |
| 009 | | 922342-1 | HEX. SOCKET HEAD BOLT M6X25 | 8 | | | | |
| 010 | | 266326-2 | TAPPING SCREW 4X18 | 1 | | | | |
| 011 | | 413J45-3 | HANDLE COVER | 1 | | | | |
| 012 | | 413J46-1 | LEAD HOLDER | 1 | | | | |
| 013 | | 266326-2 | TAPPING SCREW 4X18 | 4 | | | | |
| 014 | | 183X10-7 | RIGHT GRIP SET | 1 | | | | |
| | D10 | | INC. 22 | | | | | |
| 015 | | 458819-5 | LOCK ON BUTTON COVER | 1 | | | | |
| 016 | | 413J58-4 | SWITCH SUPPORT | 1 | | | | |
| 017 | | 650035-7 | SWITCH C3JW-4BM-1L-R | 1 | | | | |
| 018 | | 458816-1 | SWITCH COVER | 1 | | | | |
| 019 | | 231433-0 | COMPRESSION SPRING 4 | 1 | | | | |
| 020 | | 412551-5 | LOCK OFF BUTTON | 1 | | | | |
| 021 | | 620E29-6 | DIAL CIRCUIT | 1 | | | | |
| 022 | | 183X10-7 | RIGHT GRIP SET | 1 | | | | |
| | D10 | | INC. 14 | | | | | |
| 023 | | 266467-4 | TAPPING SCREW 4X50 | 6 | | | | |
| 024 | | 183X13-1 | HOUSING SET | 1 | | | | |
| | C10 | 263005-3 | RUBBER PIN 6 | 2 | | | | |
| | C20 | 8032A7-2 | XGT LOGO LABEL | 1 | | | | |
| | D10 | | INC. 26 | | | | | |
| 025 | | 620J16-5 | CONTROLLER | 1 | | | | |
| 026 | | 413J49-5 | LOGO PLATE | 1 | | | | |
| 027 | | 232676-7 | COMPRESSION SPRING 7 | 1 | | | | |
| 028 | | 413J53-4 | HOOK | 1 | | | | |
| 029 | | 8584F8-2 | UT002G SERIAL NO. LABEL | 1 | | | | |
| 030 | | 632P49-4 | TERMINAL UNIT | 1 | | | | |
| 031 | | 911138-5 | P.H.SCREW M4X20 WITH WR | 4 | | | | |
| 032 | | 413J44-5 | MOTOR HOUSING | 1 | | | | |
| 033 | | 629B88-9 | STATOR | 1 | | | | |
| 035 | | 265620-9 | TAPPING SCREW FLANGE 4X18 | 2 | | | | |
| 036 | | 211022-7 | BALL BEARING 607ZZ | 1 | | | | |
| 037 | | 519789-4 | ROTOR ASSEMBLY | 1 | | | | |
| | D10 | | INC. 36,38 | | | | | |
| 038 | | 211087-9 | BALL BEARING 6200DDW | 1 | | | | |
| 040 | | 911138-5 | P.H.SCREW M4X20 WITH WR | 4 | | | | |
| 041 | | 136830-4 | MOTOR BRACKET ASSY | 1 | | | | |
| | C10 | 213406-5 | O RING 30 | 1 | | | | |
| 042 | | 213A27-9 | O-RING 115 | 1 | | | | |
| 044 | | 8584F1-6 | UT002G NAME PLATE | 1 | | | | |
| 045 | | 961052-5 | RETAINING RING (EXT) S-12 | 1 | | | | |
| 046 | | 267104-3 | FLAT WASHER 12 | 1 | | | | |
| 047 | | 141K49-8 | SPUR GEAR 42 COMPLETE | 1 | | | | |
| 048 | | 267104-3 | FLAT WASHER 12 | 1 | | | | |
| 049 | | 313437-5 | SPEED CHANGE RING | 1 | | | | |
| 050 | | 327A22-4 | SHAFT | 1 | | | | |
| 051 | | 267104-3 | FLAT WASHER 12 | 1 | | | | |
| 052 | | 141K50-3 | SPUR GEAR 49 COMPLETE | 1 | | | | |
| 053 | | 267104-3 | FLAT WASHER 12 | 1 | | | | |
| 054 | | 254239-9 | KEY 4 | 1 | | | | |
| 055 | | 227984-9 | HELICAL GEAR 13 | 1 | | | | |
| 056 | | 961006-2 | RETAINING RING S-10 | 1 | | | | |
| 057 | | 211012-0 | BALL BEARING 606ZZ | 1 | | | | |
| 058 | | 211016-2 | BALL BEARING 626LLB | 1 | | | | |

A:UT002GZ(N)

Interchange
 O : Yes
 X : No
 < : the new part can be substituted for the current.
 > : the current part can be substituted for the new.
 S : Interchangeable as a set.

