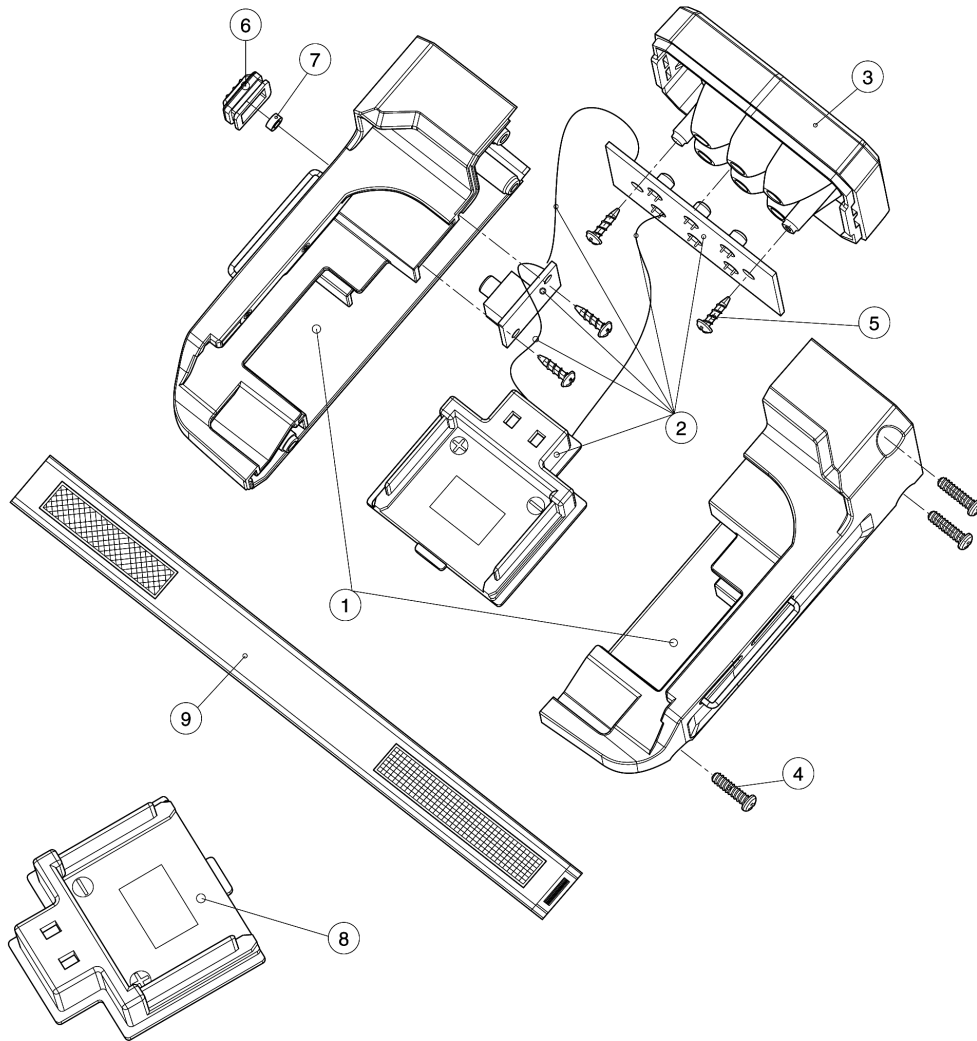


Model No.DML186 LED FLASHLIGHT



Model No.DML186 LED FLASHLIGHT

Item	Parts No.	Description	I/C	Qty	New/Old	Opt. 1	Opt. 2	Note
001	GM00001194	H.BODY ASSY (ROS11869802)		1				
002A	GM00001187	LED CIRCUIT ASSY (ROS11869801)		1	*			
002-1A	GM00001239	LED CIRCUIT ASSY (ROS11869805)	O	1				
002-1B	GM00001239	LED CIRCUIT ASSY (ROS11869805)		1				
003	GM00001188	LIGHT HEAD ASSY (ROS11869804)		1				
004	GM00001189	SCREW 3X12BB (B0130120712)		3				
005	GM00001190	SCREW 2.6X10PWA (B0126100705)		4				
006	GM00001191	SWITCH COVER (C9010186006)		1				
007	GM00001192	SWITCH COVER RING(C0110186010)		1				
008	GM00001116	BATTERY HOLDER (C2004185006)		1				
009	GM00001193	RUBBER BAND (D1101186100)		1				

Please order the parts with part number.

Print Date 24/10/2023