



MX	MEXICO
----	--------

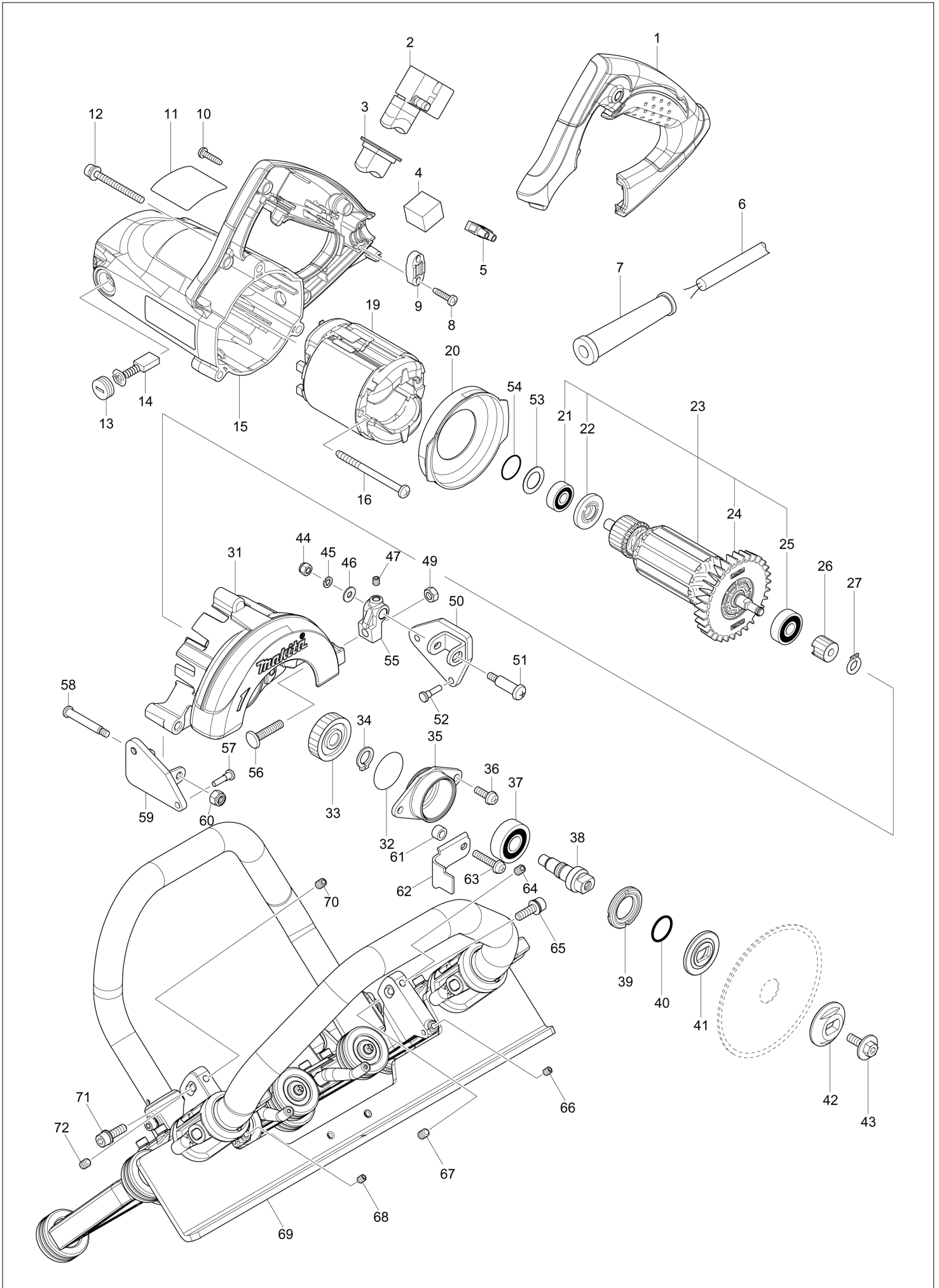
Diagram / Parts List

4100NH2R

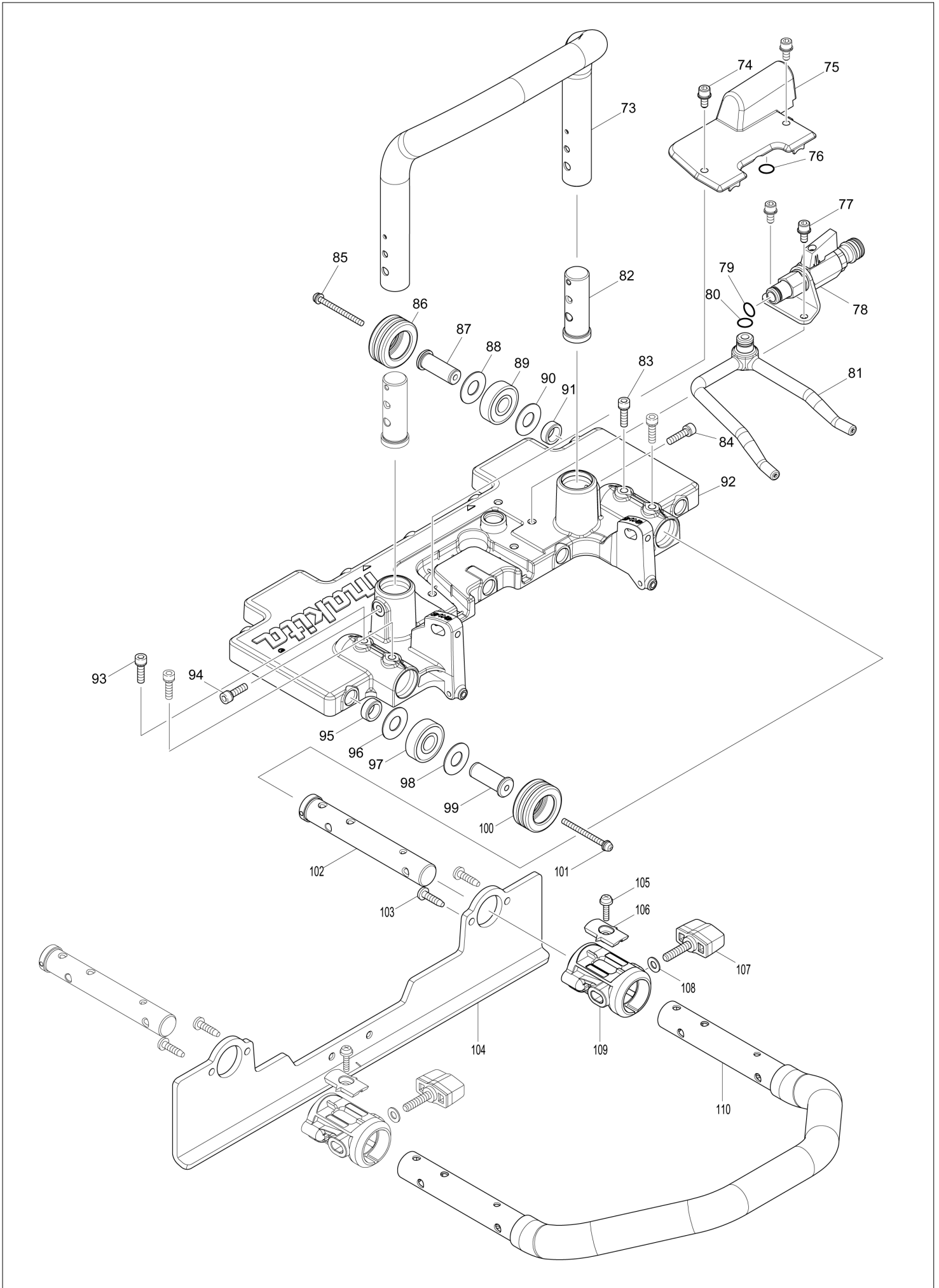
110MM CUTTER



(MX) 4100NH2R / 110MM CUTTER



(MX) 4100NH2R / 110MM CUTTER



MX

MEXICO

4100NH2R / 110MM CUTTER

Item	Sub	Parts No.	Parts Description	Qty	I/C	E/C No.	Close No.	Remark
001		450838-7	HANDLE COVER	1				
002		651281-5	SWITCH SGEL115CDY-5	1				
003		421812-2	DUST COVER	1				
006		664276-9	POWER SUPPLY CORD AWG#16-2-5.0	1				
007		682505-8	CORD GUARD 10-90	1				
008		265995-6	TAPPING SCREW 4X18	2			B2334	
008-1		266326-2	TAPPING SCREW 4X18	2	O	B2334		
009		687123-7	STRAIN RELIEF	1				
010		265995-6	TAPPING SCREW 4X18	4			B2334	
010-1		266326-2	TAPPING SCREW 4X18	4	O	B2334		
011		851M50-4	4100NH2R NAME PLATE	1				
012		911263-2	PAN HEAD SCREW M5X40	3			C2817	
012-1		265104-7	PAN HEAD SCREW M5X40	3	O	C2817		
013		643750-0	BRUSH HOLDER CAP 7-11	2			C0089	
013-1		644500-6	HOLDER CAP 7X11	2	O	C0089	D0610	
013-2		643750-0	BRUSH HOLDER CAP 7-11	2	O	D0610		
014		194996-6	CARBON BRUSH SET CB-303	1				
015		141726-6	MOTOR HOUSING COMPLETE	1				
016		266038-7	TAPPING SCREW 5X70	2			B2423	
016-1		266389-8	TAPPING SCREW 5X70	2	O	B2423		
019		594581-9	FIELD ASSY 115V	1			C7967	127V
	C10	654020-2	RING TERMINAL	2			C7967	
	C20	654501-6	CONNECTOR P-1.25	2			C7967	
019-1		594581-9	FIELD ASSY 115V	1	O	C7967	D4627	127V
	C10	654020-2	RING TERMINAL	2		C7967	D4627	
	C20	654501-6	CONNECTOR P-1.25	2		C7967	D4627	
019-2		594581-9	FIELD ASSY 115V	1	O	D4627		127V
	C10	654020-2	RING TERMINAL	2		D4627		
	C20	654501-6	CONNECTOR P-1.25	2		D4627		
020		450839-5	BUFFLE PLATE	1				
021		211395-8	BALL BEARING 608LLU	1				
022		681644-1	INSULATION WASHER	1				
023		510220-3	ARMATURE ASS'Y 115V	1			C0140	127V
	D10		INC. 21,22,24,25				C0140	
023-1		518192-6	ARMATURE ASS'Y 115V	1	<	C0140		127V
	D10		INC. 21,22,24,25			C0140		
024		240109-8	FAN 70	1				
025		211092-6	BALL BEARING 629DDW	1				
026		226695-3	HELICAL GEAR 17	1				
027		961002-0	RETAINING RING S-6	1				
031		142541-1	BLADE CASE COMPLETE	1				
	C10	213445-5	O-RING 26	1				
032		213444-7	O RING 30	1				
033		226696-1	HELICAL GEAR 44	1				
034		961052-5	RETAINING RING S-12	1				
035		319044-2	BEARING BOX	1				
036		911223-4	PAN HEAD SCREW M5X16	1				
037		211129-9	BALL BEARING 6201DDW	1				
038		325603-2	SPINDLE	1				
039		285858-0	BEARING RETAINER 19-33	1				
040		213279-6	O RING 18	1				
041		224423-0	INNER FLANGE 36	1				
042		224424-8	OUTER FLANGE 36	1				
043		266510-9	HEX. SOCKET HEX. BOLT M6X18	1				
044		252103-8	HEX. LOCK NUT M5-8	1				
045		942101-7	SPRING WASHER 5	1			C3118	
045-1		253427-5	SPRING WASHER 5	1	O	C3118		
046		941101-4	FLAT WASHER 5	1				
047		266264-8	H.S.SET SCREW(FLAT POINT)M5X6	1				
049		252014-7	HEX. LOCK NUT M6-10	1				
050		161405-0	REAR ANGULAR GUIDE	1				
051		266998-3	+ PAN HEAD SCREW M5	1				
052		268342-0	SHOULDER PIN 4-5	1				
053		253192-6	FLAT WASHER 14	1				
054		213262-3	O RING 18	1				

Interchange

O : Yes

X : No

< : the new part can be substituted for the current.

> : the current part can be substituted for the new.

S : Interchangeable as a set.

MX	MEXICO
-----------	---------------

4100NH2R / 110MM CUTTER

Item	Sub	Parts No.	Parts Description	Qty	I/C	E/C No.	Close No.	Remark
055		319383-0	ADJUSTER	1				
056		251920-3	CAP SQUARE NECK BOLT M6X30	1				
057		268342-0	SHOULDER PIN 4-5	1				
058		266515-9	+ PAN HEAD SCREW M5	1				
059		161404-2	FRONT ANGULAR GUIDE	1				
060		252103-8	HEX. LOCK NUT M5-8	1				
061		257140-7	RING 6	1				
062		346984-1	COVER PLATE	1				
063		911243-8	PAN HEAD SCREW M5X25	1				
064		251483-9	H.S.SET SCREW M6X8	1				
065		922333-2	HEX.SOCKET HD BOLT M6X20	1				
066		266264-8	H.S.SET SCREW(FLAT POINT)M5X6	1				
067		266225-8	H.S.SET SCREW(FLAT POINT)M6X8	1				
068		266264-8	H.S.SET SCREW(FLAT POINT)M5X6	1				
069		143600-4	BASE ASSEMBLY	1				
	D10		INC. 73-110					
070		251483-9	H.S.SET SCREW M6X8	1				
071		922333-2	HEX.SOCKET HD BOLT M6X20	1				
072		266225-8	H.S.SET SCREW(FLAT POINT)M6X8	1				
073		326628-9	HANDLE R	1				
074		922213-2	H.S.H.BOLT M5X12 WITH WR	2				
075		456332-7	COVER	1				
076		213070-2	O RING 10	1				
077		922213-2	H.S.H.BOLT M5X12 WITH WR	2				
078		143469-6	WATER SET PART	1				
079		213070-2	O RING 10	1				
080		213070-2	O RING 10	1				
081		456331-9	NOZZLE	1				
082		326633-6	HANDLE R BRACKET	2				
083		922231-0	HEX. SOCKET HEAD BOLT M5X20	2				
084		922231-0	HEX. SOCKET HEAD BOLT M5X20	1				
085		911173-3	PAN HEAD SCREW M4X45	5				
086		424801-6	BEARING COVER	5				
087		326632-8	COLLAR HD. PIN 12	5				
088		267496-0	FLAT WASHER 12	5				
089		210118-1	BALL BEARING 6201DDW	5				
090		267496-0	FLAT WASHER 12	5				
091		257387-3	RING 12	5				
092		319381-4	MAIN BASE	1				
093		922231-0	HEX. SOCKET HEAD BOLT M5X20	2				
094		922231-0	HEX. SOCKET HEAD BOLT M5X20	1				
095		257387-3	RING 12	5				
096		267496-0	FLAT WASHER 12	5				
097		210118-1	BALL BEARING 6201DDW	5				
098		267496-0	FLAT WASHER 12	5				
099		326632-8	COLLAR HD. PIN 12	5				
100		424801-6	BEARING COVER	5				
101		911173-3	PAN HEAD SCREW M4X45	5				
102		326631-0	HANDLE L BRACKET	2				
103		266021-4	TAPPING SCREW 5X20	4				
104		346975-2	PARALLEL RULER	1				
105		911123-8	PAN HEAD SCREW M4X14	2				
106		456330-1	POSITION INDICATION PLATE	2				
107		266997-5	THUMB SCREW M6X25	2				
108		941151-9	FLAT WASHER 6	2				
109		143556-1	PARALLEL RULER ATTACHMENT COMP	2				
110		326627-1	HANDLE L	1				
A01		781041-2	WRENCH 22	1				
A02		783217-7	HEX. WRENCH 5	1				
A03		123121-2	COUPLING SLEEVE	1				
A04		D-44258	DIAMOND WHEEL 110X20	1				

Interchange
 O : Yes
 X : No
 < : the new part can be substituted for the current.
 > : the current part can be substituted for the new.
 S : Interchangeable as a set.