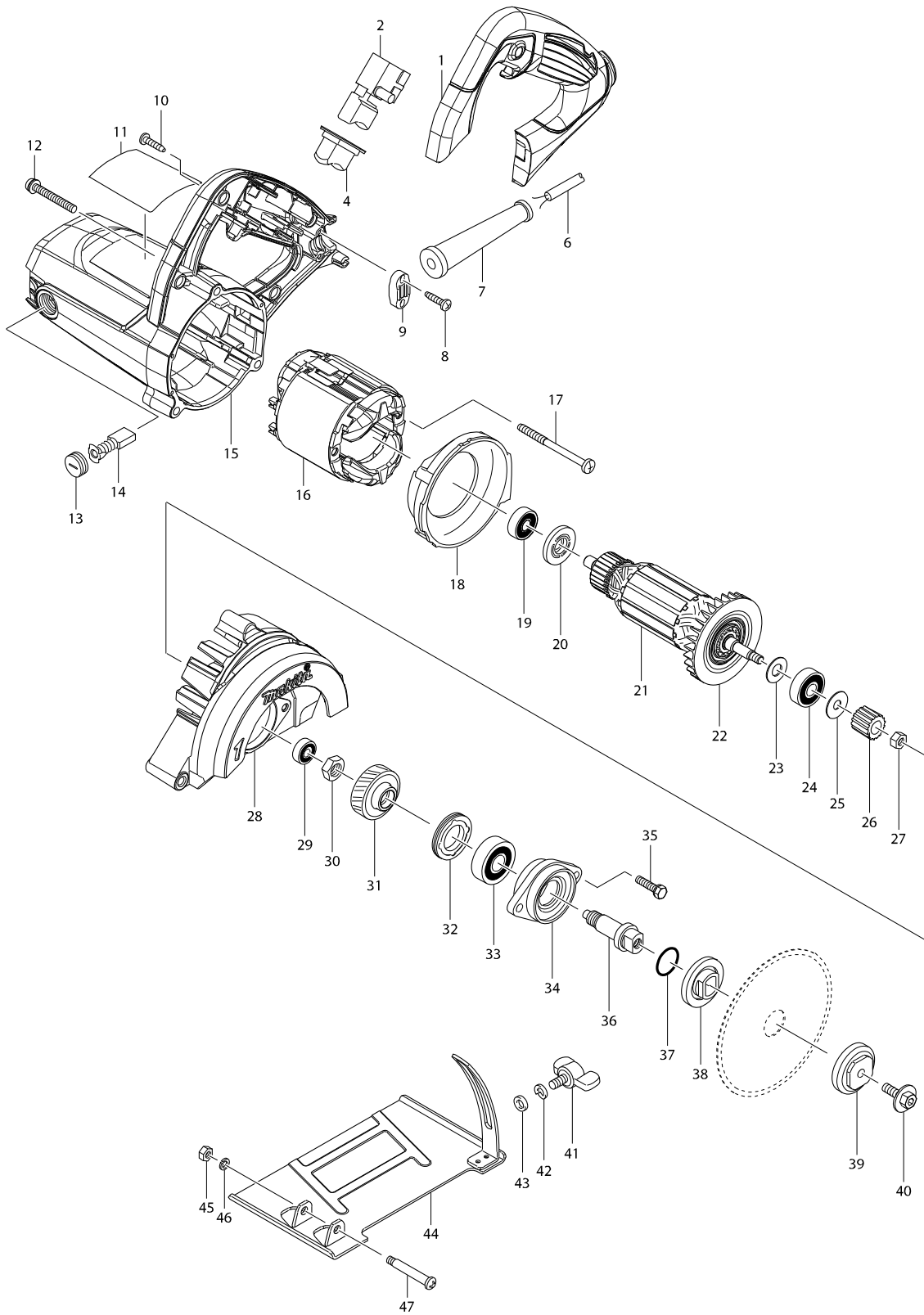


Modelo 4100NH3 110MM CUTTER



Pieza	Código	Descripción	Info	CTD.	N/O	Opc. 1	Opc. 2	OBS.
001	454557-7	HANDLE COVER		1				
002	650239-1	SWITCH FA1-6/1B		1				
004	421812-2	DUST COVER		1				
006	664265-4	POWER SUPPLY CORD AWG#16-2-2.5		1				
007	682505-8	CORD GUARD 10-90		1				
008	266326-2	TAPPING SCREW 4X18		2				
009	687123-7	STRAIN RELIEF		1				
010	266326-2	TAPPING SCREW 4X18		4				
011	814L09-6	4100NH3 NAME PLATE		1				
012	265104-7	PAN HEAD SCREW M5X40		3				
013	643750-0	BRUSH HOLDER CAP 7-11		2	*			
013-1	644500-6	HOLDER CAP 7X11	O	2				
014	194996-6	CARBON BRUSH SET CB-303		1				
015	142142-5	MOTOR HOUSING COMPLETE		1				
C10	643708-9	BRUSH HOLDER 5-11		2	*			
C11	644501-4	BRUSH HOLDER 5X11	O	2				
016	594611-6	FIELD ASS'Y 115V		1				
C10	654020-2	RING TERMINAL		2				
C20	654501-6	CONNECTOR P-1.25		2				
017	266352-1	TAPPING SCREW 5X65		2				
018	417810-2	BAFFLE PLATE		1				
019	211395-8	BALL BEARING 608LLU		1				
020	681644-1	INSULATION WASHER		1				
021	513866-4	ARMATURE ASS'Y 115V		1				
D10		INC. 19,20,22-24						
022	240053-9	FAN 65		1				
023	267237-4	FLAT WASHER 9		1				
024	211092-6	BALL BEARING 629DDW		1				
025	267239-0	FLAT WASHER 7		1				
026	226552-5	HELICAL GEAR 15		1				
027	252186-8	HEX. NUT M6		1				
028	142143-3	BLADE CASE COMPLETE		1				
C10	213445-5	O-RING 26		1				
029	210028-2	BALL BEARING 606ZZ		1				
030	252170-3	HEX. NUT M10-17		1				
031	227767-7	HELICAL GEAR 34		1				
032	285840-9	BEARING RETAINER 19-33		1				
033	211129-9	BALL BEARING 6201DDW		1				
034	317550-1	BEARING BOX		1				
035	265497-2	+ HEX. BOLT M5X20		2				
036	324221-3	SPINDLE		1				
037	213279-6	O RING 18		1				
038	224080-4	INNER FLANGE 36		1				
039	224081-2	OUTER FLANGE 36		1				
040	266510-9	HEX. SOCKET HEX. BOLT M6X18		1				
041	265754-8	THUMB SCREW M6X12		1				
042	942151-2	SPRING WASHER 6		1				
043	941151-9	FLAT WASHER 6		1				

